



US00D843889S

(12) **United States Design Patent**  
**Merrill et al.**

(10) **Patent No.:** **US D843,889 S**

(45) **Date of Patent:** **\*\* Mar. 26, 2019**

(54) **UNMANNED CARGO DELIVERY AIRCRAFT**

(71) Applicant: **Elroy Air, Inc.**, San Francisco, CA  
(US)

(72) Inventors: **David Merrill**, San Francisco, CA  
(US); **Terik Weekes**, San Francisco, CA  
(US); **Sean Belardo**, San Francisco, CA  
(US); **Colin Owen**, San Francisco, CA  
(US); **Clinton Cope**, San Francisco, CA  
(US)

(73) Assignee: **ELROY AIR, INC.**, San Francisco, CA  
(US)

(\*\*) Term: **15 Years**

(21) Appl. No.: **29/621,133**

(22) Filed: **Oct. 4, 2017**

(51) **LOC (11) Cl.** ..... **12-07**

(52) **U.S. Cl.**

USPC ..... **D12/16.1**

(58) **Field of Classification Search**

USPC ..... D12/16.1, 319-345; D21/436, 438, 441,  
D21/442, 443, 444, 447, 448, 449, 450,  
D21/451, 452, 454

CPC ... B64C 29/00; B64C 2201/141; B64C 27/24;  
B64C 27/30; B64C 39/04

See application file for complete search history.

(56) **References Cited**

**U.S. PATENT DOCUMENTS**

D91,444 S \* 1/1934 Shelton ..... D12/335  
D119,714 S \* 3/1940 Hibbard ..... 244/13  
D148,673 S \* 2/1948 Boyes ..... 244/45 R  
D163,722 S \* 6/1951 Vinje ..... 244/2  
2,752,114 A \* 6/1956 Calvy ..... B60J 5/125  
244/118.3  
D203,720 S \* 2/1966 Jarchow ..... D12/335  
D239,522 S \* 4/1976 Wheatley ..... D12/335

D240,909 S \* 8/1976 Whitener ..... D12/335  
D269,669 S \* 7/1983 Hancock ..... 244/45 A  
4,746,082 A \* 5/1988 Syms ..... B64D 47/08  
244/118.2  
D301,867 S \* 6/1989 Street ..... D12/339  
5,145,129 A \* 9/1992 Gebhard ..... B64C 29/00  
244/12.1  
D371,105 S \* 6/1996 Graham ..... D12/319

(Continued)

**OTHER PUBLICATIONS**

Elroy Air by sUAS News. dated Dec. 29, 2017. found online [Oct. 11, 2018] <https://www.suasnews.com/2017/12/elroy-air/>\*

(Continued)

*Primary Examiner* — Marissa J Cash

(74) *Attorney, Agent, or Firm* — Martensen IP

(57) **CLAIM**

The ornamental design for an unmanned cargo delivery aircraft, as shown and described.

**DESCRIPTION**

FIG. 1 is a front left front perspective view of the unmanned cargo delivery aircraft.

FIG. 2 is a front view of the unmanned cargo delivery aircraft.

FIG. 3 is a back view of the unmanned cargo delivery aircraft.

FIG. 4 is a view of one side of the unmanned cargo delivery aircraft.

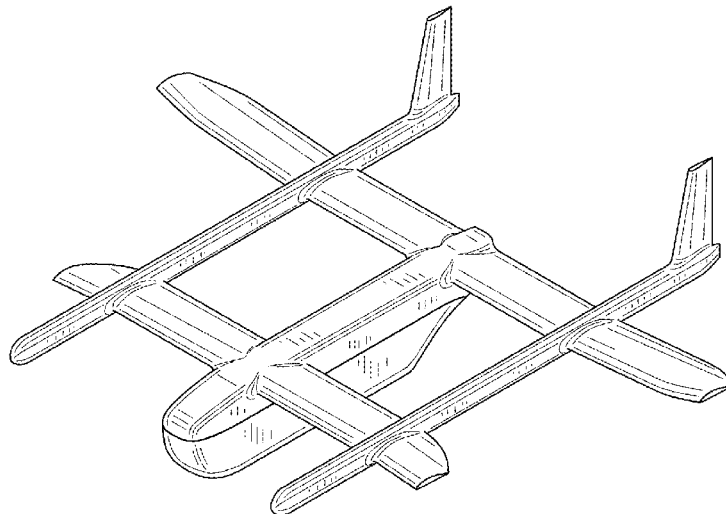
FIG. 5 is a view of the opposite side of the unmanned cargo delivery aircraft.

FIG. 6 is a top view of the unmanned cargo delivery aircraft.

FIG. 7 is a bottom view of the unmanned cargo delivery aircraft; and,

FIG. 8 is an exploded view of one side of the unmanned cargo delivery aircraft with the cargo component detached.

**1 Claim, 6 Drawing Sheets**



(56)

**References Cited**

## U.S. PATENT DOCUMENTS

D396,842	S *	8/1998	Jones	.....	D12/333
D461,159	S *	8/2002	Miralles	.....	D12/319
D500,729	S *	1/2005	Wilding	.....	D12/319
D500,981	S *	1/2005	Wilding	.....	D12/319
6,969,026	B2 *	11/2005	Kayama	.....	B64C 27/24 244/117 R
D543,248	S *	5/2007	Winston	.....	D21/450
D678,169	S *	3/2013	Kennelly	.....	D12/319
D734,402	S *	7/2015	Reznik	.....	D12/16.1
D736,140	S *	8/2015	Moller	.....	D12/326
D800,843	S *	10/2017	Sartorius	.....	D21/447
D808,328	S *	1/2018	Ivans	.....	D12/328
9,884,682	B2 *	2/2018	Stuckl	.....	B64C 3/10
D816,547	S *	5/2018	Cui	.....	D12/16.1
D816,583	S *	5/2018	Dutertre	.....	D12/328
D822,579	S *	7/2018	Lienhard	.....	D12/328
D824,804	S *	8/2018	Tian	.....	D12/16.1
10,081,436	B1 *	9/2018	Tian	.....	B64D 31/00
2013/0020429	A1 *	1/2013	Kroo	.....	B64C 3/16 244/6
2013/0206921	A1 *	8/2013	Paduano	.....	B64C 13/16 244/7 C
2017/0300065	A1 *	10/2017	Douglas	.....	G05D 1/0676
2018/0072398	A1 *	3/2018	Sartorius	.....	B64C 1/26
2018/0086458	A1 *	3/2018	Sartorius	.....	B64C 39/024

## OTHER PUBLICATIONS

Elroy Air enable autonomous air transport anywhere by Elroy Air. dated 2018. found online [Oct. 11, 2018] <http://www.elroyair.com/>.\*

\* cited by examiner

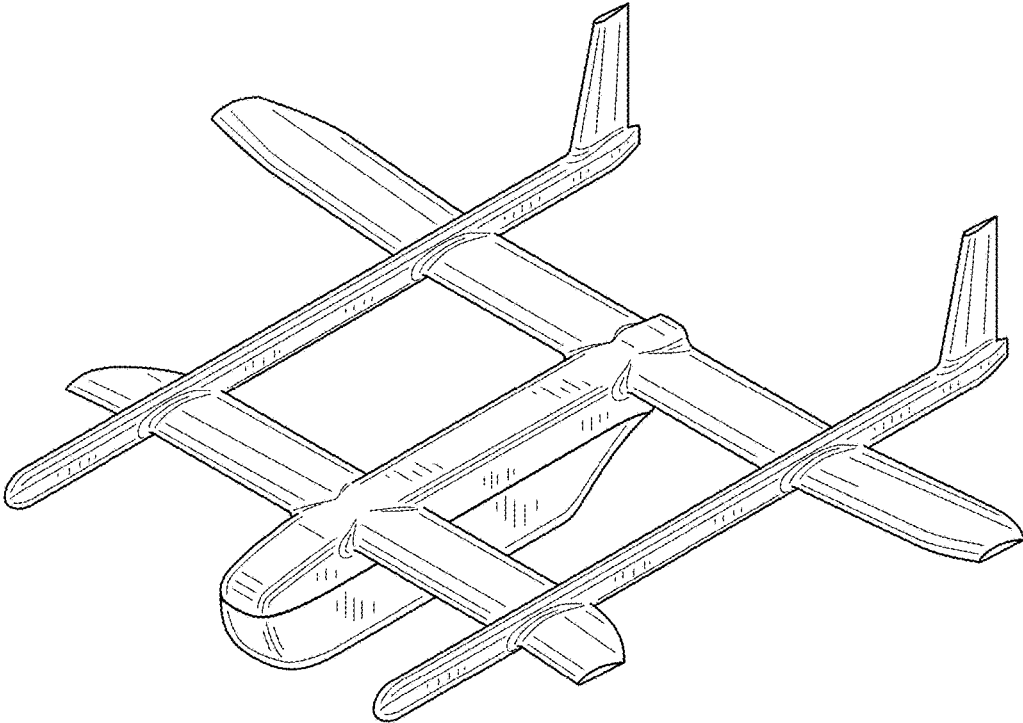


FIG.1

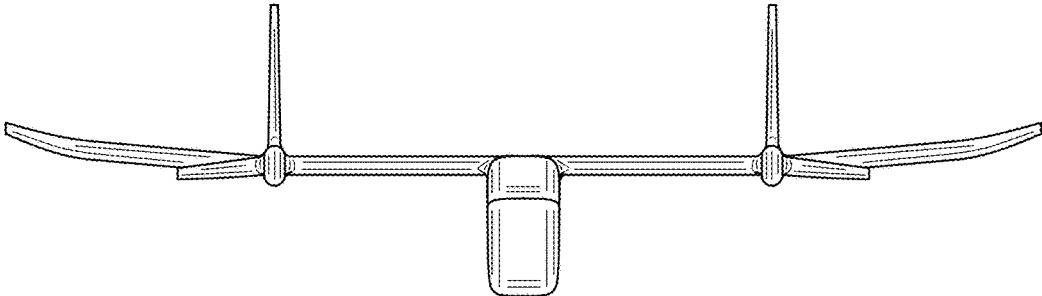


FIG. 2

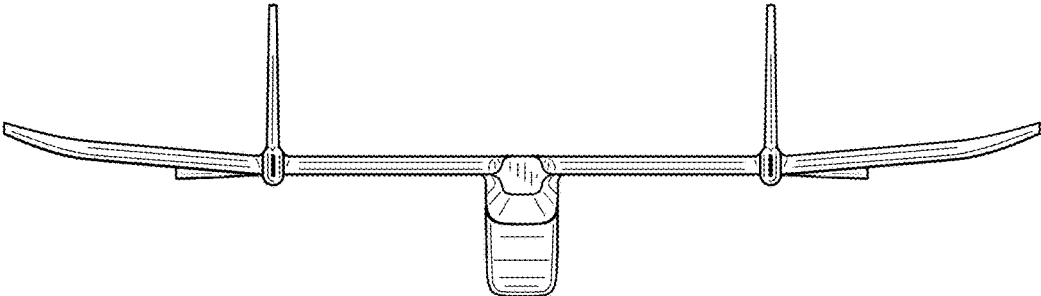


FIG. 3

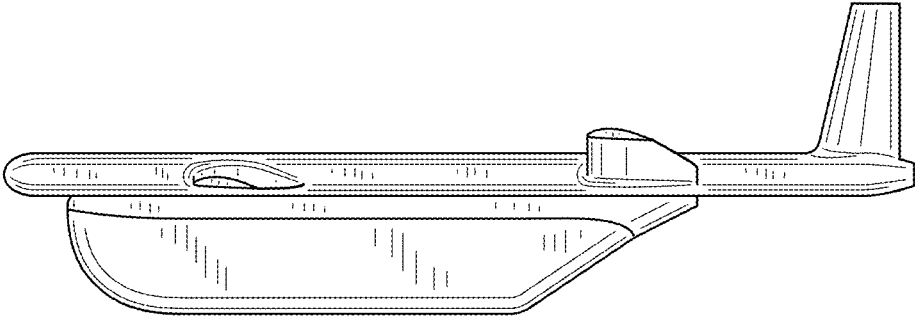


FIG. 4

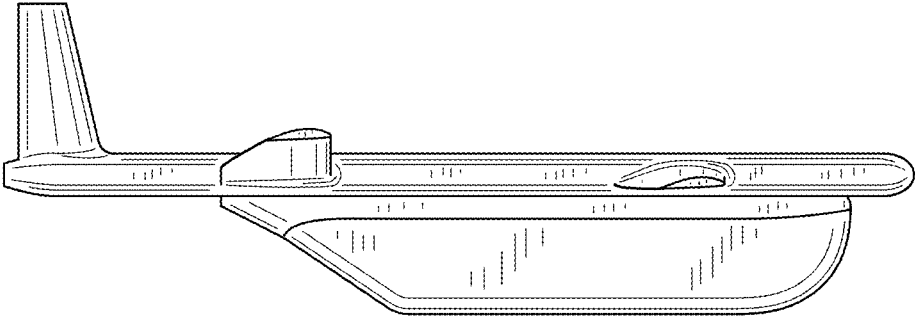


FIG. 5

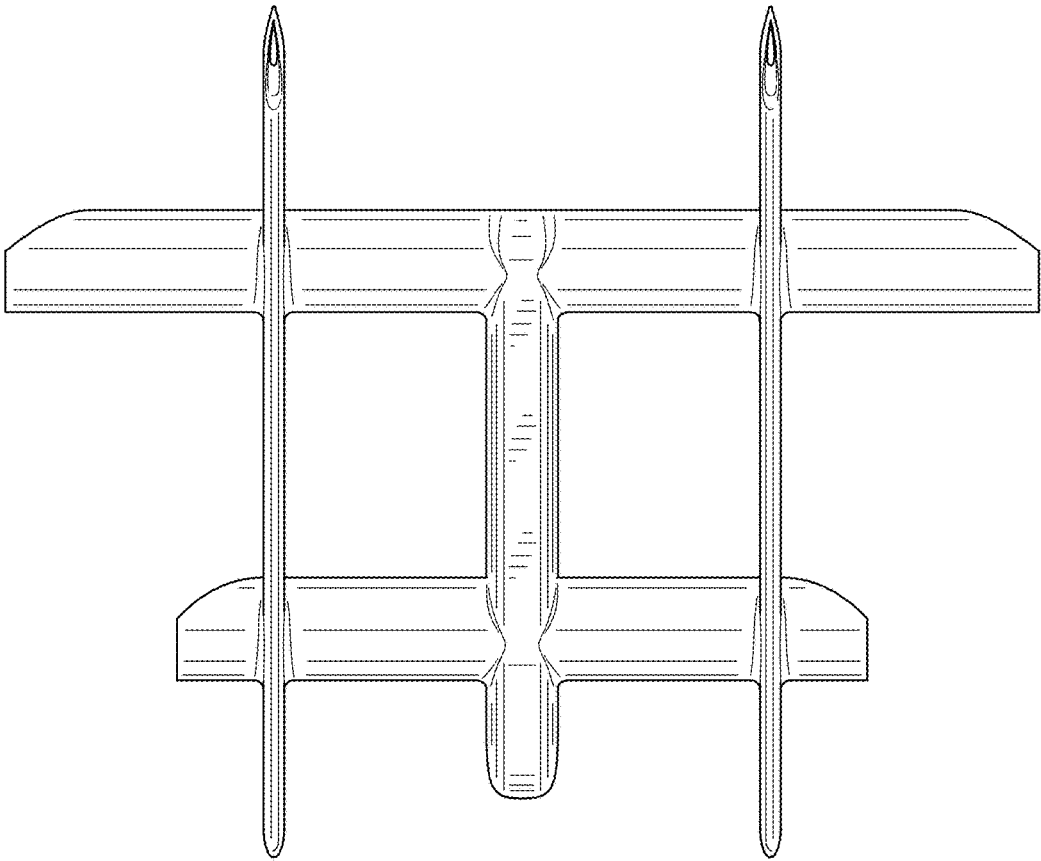


FIG.6

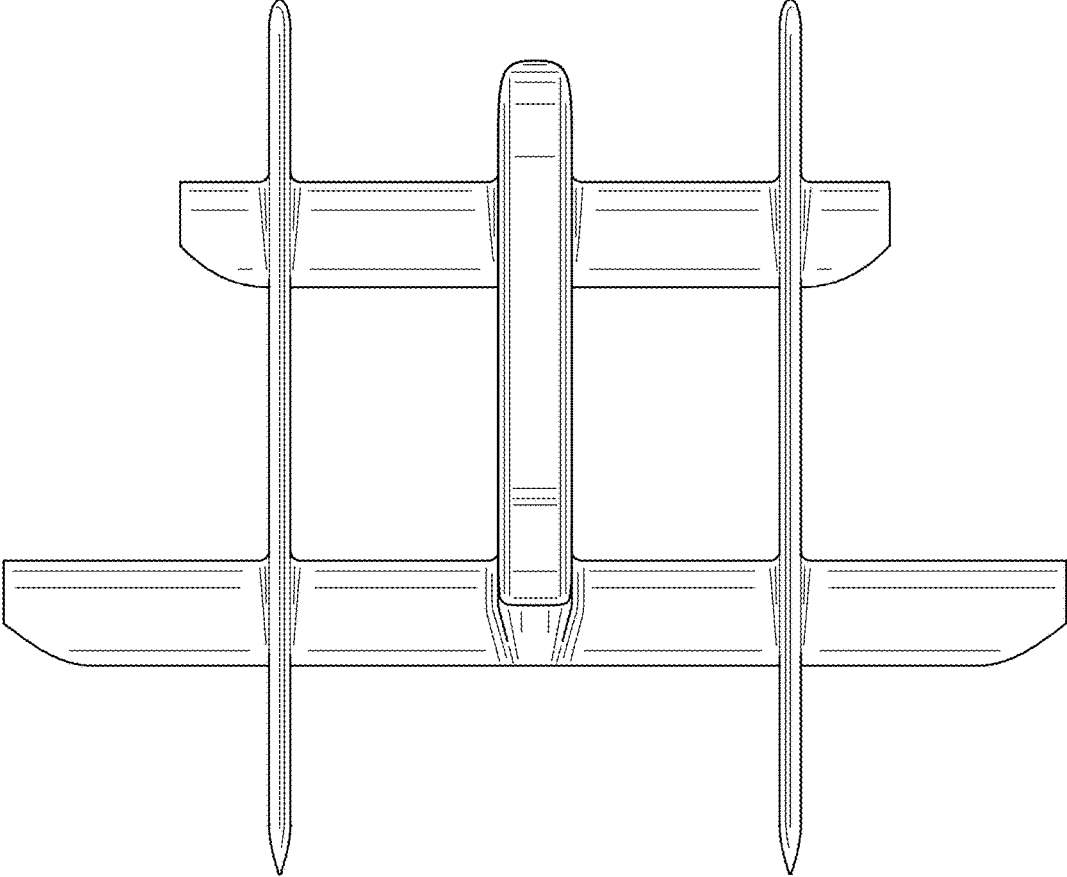


FIG.7

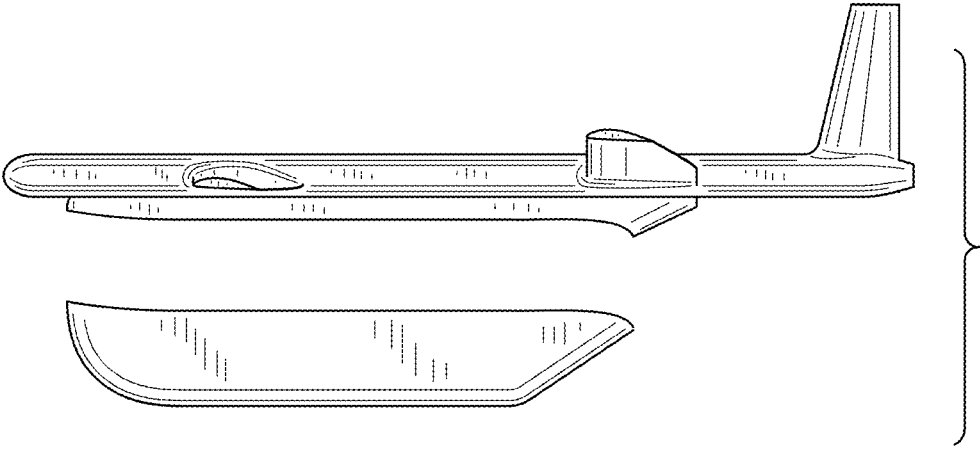


FIG.8