



US00D967199S

(12) **United States Design Patent** (10) **Patent No.:** **US D967,199 S**
Ketterhagen et al. (45) **Date of Patent:** **** Oct. 18, 2022**

(54) **AIR INTAKE TOWER**

OTHER PUBLICATIONS

(71) Applicant: **Deere & Company**, Moline, IL (US)

Non-Final Office Action dated Oct. 8, 2020 issued in Utility U.S. Appl. No. 16/654,548, filed Oct. 16, 2019.

(72) Inventors: **Timothy L. Ketterhagen**, Cedar Falls, IA (US); **Benjamin J. Schlessner**, Independence, IA (US); **Noah F. Homan**, Waterloo, IA (US)

(Continued)

Primary Examiner — Mark A Goodwin
(74) *Attorney, Agent, or Firm* — Klintworth & Rozenblat IP LLP

(73) Assignee: **DEERE & COMPANY**, Moline, IL (US)

(**) Term: **15 Years**

(57) **CLAIM**

The ornamental design for an air intake tower, as shown and described.

(21) Appl. No.: **29/709,664**

(22) Filed: **Oct. 16, 2019**

DESCRIPTION

(51) **LOC (13) Cl.** **15-03**

(52) **U.S. Cl.**

USPC **D15/28**

(58) **Field of Classification Search**

USPC D15/5, 17, 28

CPC F02M 35/10013; F02M 35/164; F02M 35/088; F02M 35/08; F02M 35/1062; F02M 35/10104; F02M 35/16; F02M 35/10; F02M 35/12; F02M 35/10262; B60K 13/02; B60Y 2200/221; Y02T 10/12

See application file for complete search history.

FIG. 1 is a perspective view of an air intake tower according to our new design;
FIG. 2 is a front elevational view thereof;
FIG. 2A is an enlarged detail view of area 2A-2A in FIG. 2 showing a perforation pattern of a grille therein;
FIG. 3 is a rear elevational view thereof;
FIG. 4 is a first side elevational view thereof;
FIG. 5 is a second side elevational view thereof;
FIG. 6 is a first plan view thereof;
FIG. 7 is a second plan view thereof;
FIG. 8 is a perspective view of an air intake tower according to another embodiment of our new design;
FIG. 9 is a front elevational view thereof;
FIG. 9A is an enlarged detail view of area 9A-9A in FIG. 9 showing a perforation pattern of a grille therein;
FIG. 10 is a rear elevational view thereof;
FIG. 11 is a first side elevational view thereof;
FIG. 12 is a second side elevational view thereof;
FIG. 13 is a first plan view thereof; and,
FIG. 14 is a second plan view thereof.
The dash lines depict environment subject matter that forms no part of the claimed design. The dot-dash lines depict unclaimed boundary lines.

(56) **References Cited**

U.S. PATENT DOCUMENTS

3,818,667 A * 6/1974 Wagner B01J 35/08 52/473
4,366,878 A * 1/1983 Warf B60K 13/02 55/385.3

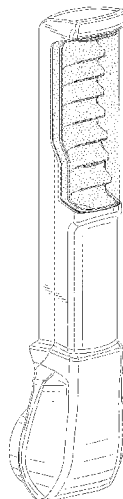
(Continued)

FOREIGN PATENT DOCUMENTS

DE 4205425 A1 5/1993
EP 0433923 A1 9/1993

(Continued)

1 Claim, 10 Drawing Sheets



US D967,199 S

(56)

References Cited

U.S. PATENT DOCUMENTS

7,740,530 B2 * 6/2010 Astourian F24F 13/082
55/525

D627,369 S * 11/2010 Troxell D15/5

D636,788 S * 4/2011 Luxon D12/400

D637,205 S * 5/2011 Luxon D12/400

7,958,966 B2 * 6/2011 Smith F01N 13/1805
181/282

D641,377 S * 7/2011 Luxon D12/400

D642,199 S * 7/2011 Luxon D12/400

D649,162 S * 11/2011 Luxon D12/400

D670,743 S * 11/2012 Ewringmann D15/28

D687,075 S * 7/2013 Richard D15/28

D698,831 S * 2/2014 Adamson D15/28

D722,330 S * 2/2015 Boeshans D15/28

D723,591 S * 3/2015 Boeshans D15/28

D724,108 S * 3/2015 Boeshans D15/28

9,151,253 B2 10/2015 Bunnell et al.

10,060,395 B2 * 8/2018 Somerville F02M 35/10321

D877,206 S * 3/2020 Jackson D15/28

D896,277 S * 9/2020 Bennett D15/5

D905,117 S * 12/2020 Bennett D12/400

11,181,081 B2 * 11/2021 Ketterhagen B60K 13/02

2011/0048368 A1 * 3/2011 Nelson F02M 35/022
55/385.3

2011/0192153 A1 * 8/2011 Schmidt F01N 13/20
60/317

2011/0214403 A1 * 9/2011 Geiss B60H 1/00378
55/478

2011/0214419 A1 * 9/2011 Castner F01N 3/02
60/317

2011/0252756 A1 * 10/2011 Geiss B60H 1/00378
55/478

2011/0283687 A1 * 11/2011 Dobler F01N 13/1805
60/272

2012/0211293 A1 * 8/2012 Leanza F02M 35/161
55/385.3

2013/0025557 A1 * 1/2013 Chlystek F02M 35/164
123/184.21

2013/0319242 A1 * 12/2013 Cruz Aguado F24F 7/00
55/529

2014/0150384 A1 6/2014 Bunnell et al.

2016/0010604 A1 1/2016 Zeilenga et al.

2017/0100689 A1 4/2017 Loken et al.

2019/0055907 A1 2/2019 Tsuruta et al.

2021/0115884 A1 * 4/2021 Ketterhagen F02M 35/10262

FOREIGN PATENT DOCUMENTS

WO 2011094334 A1 8/2011

WO 2017086261 A1 5/2017

WO 2017183269 A1 10/2017

OTHER PUBLICATIONS

Final Office Action dated Apr. 7, 2021 issued in Utility U.S. Appl. No. 16/654,548, filed Oct. 16, 2019.

* cited by examiner

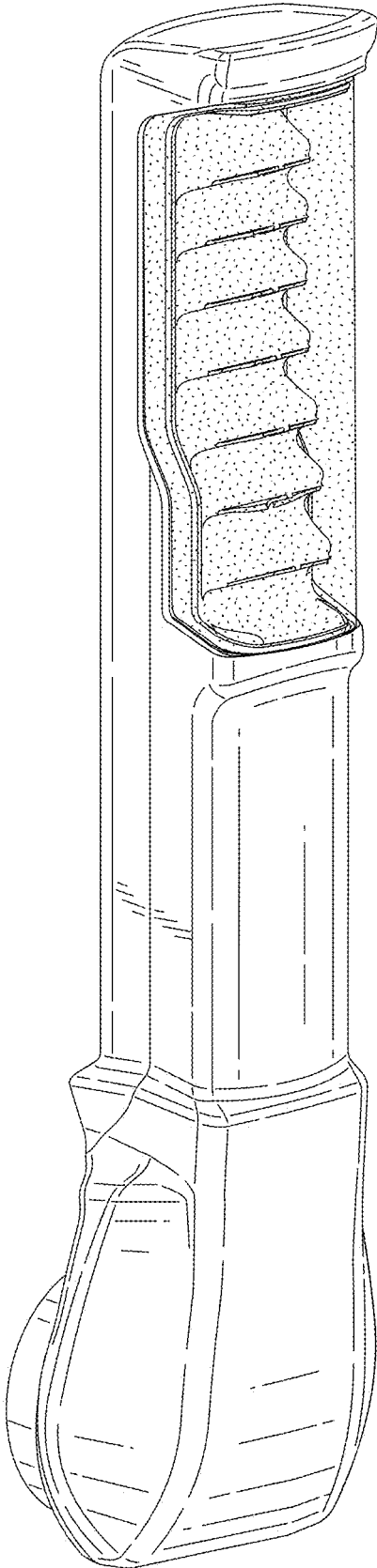


FIG. 1

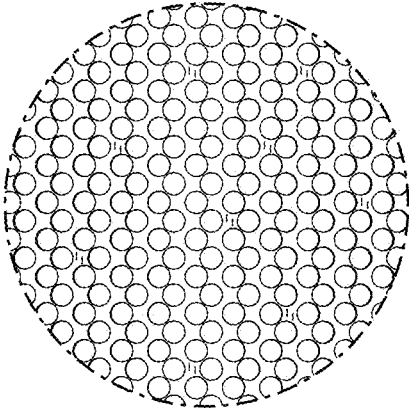
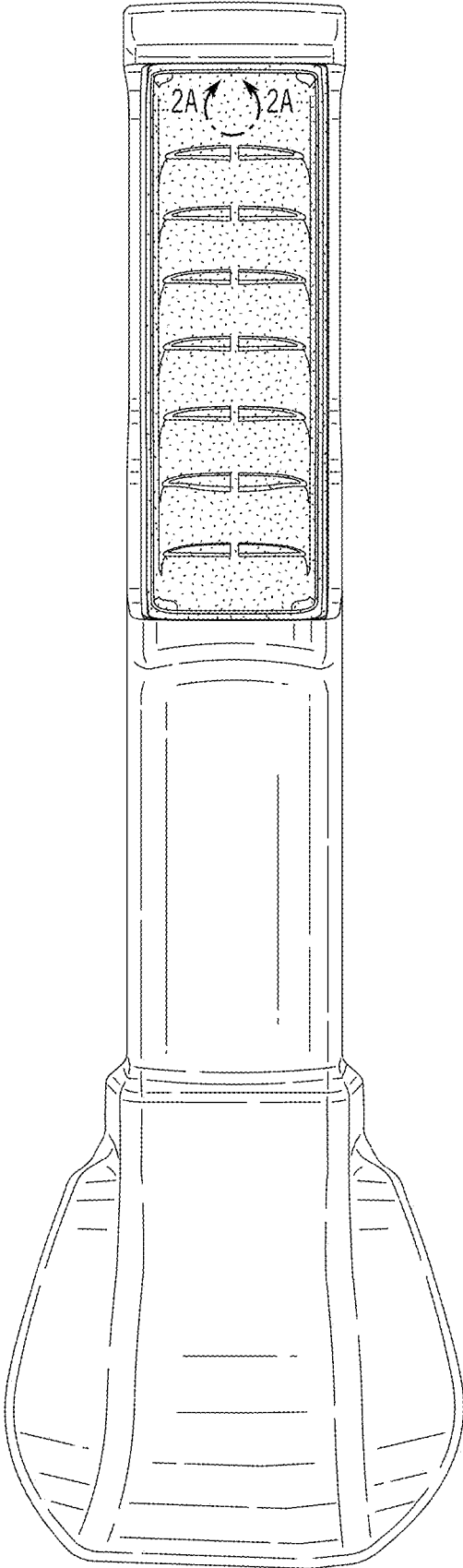
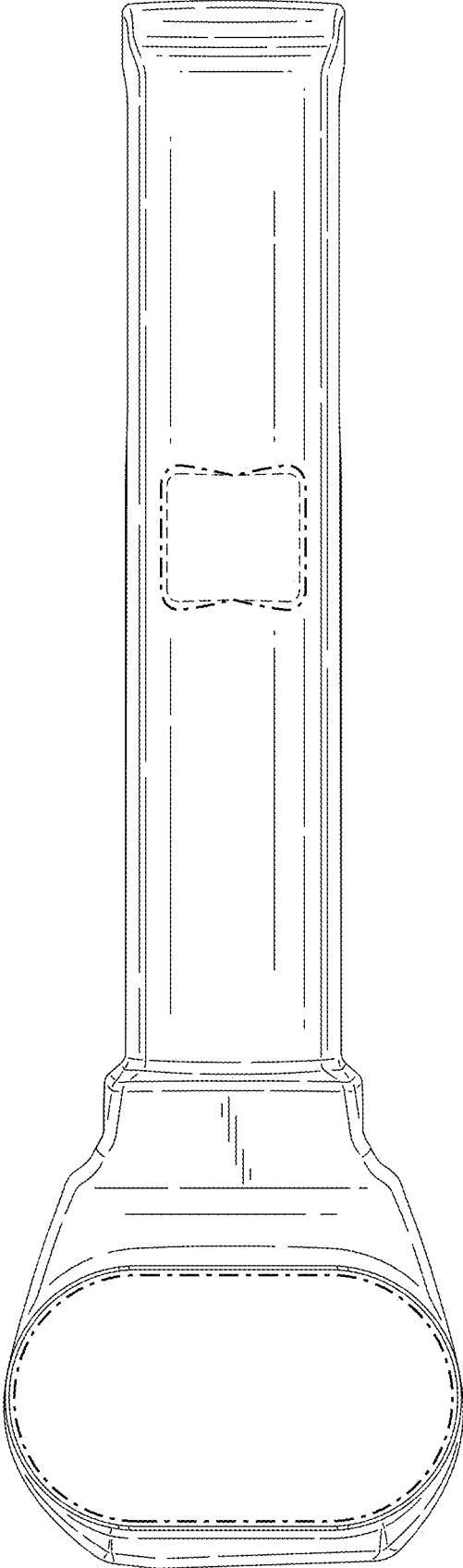


FIG. 2A

FIG. 2

FIG. 3



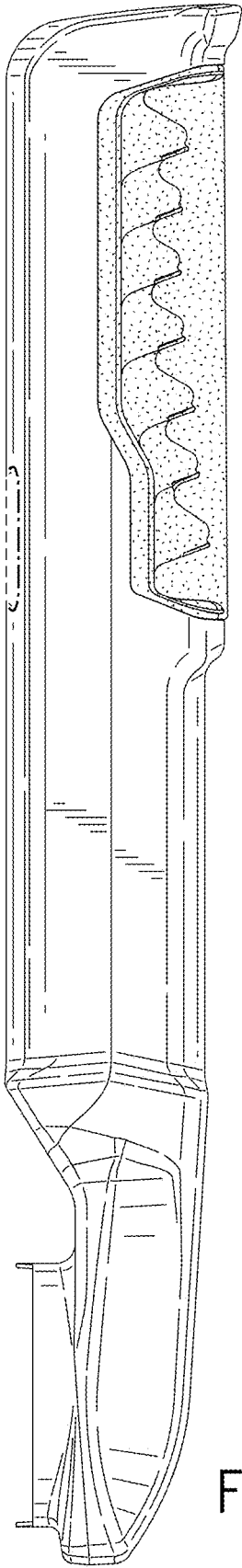


FIG. 4

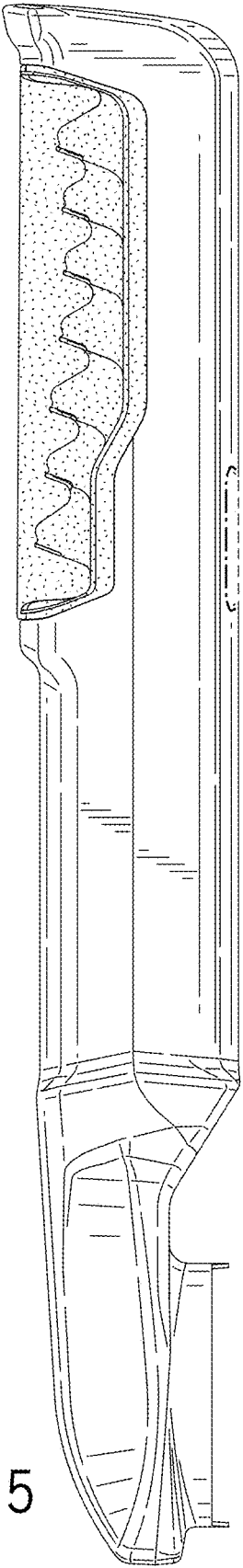


FIG. 5

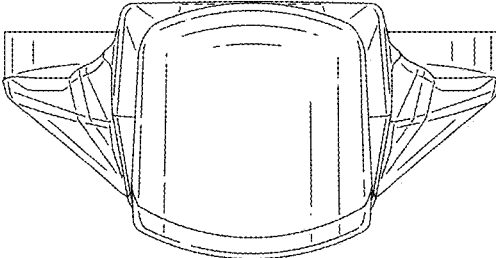


FIG. 6

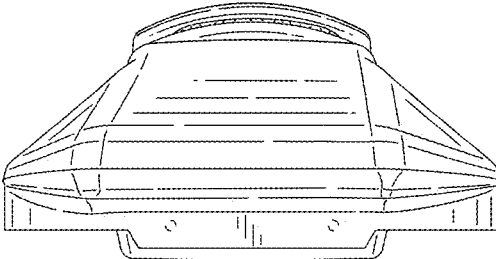


FIG. 7

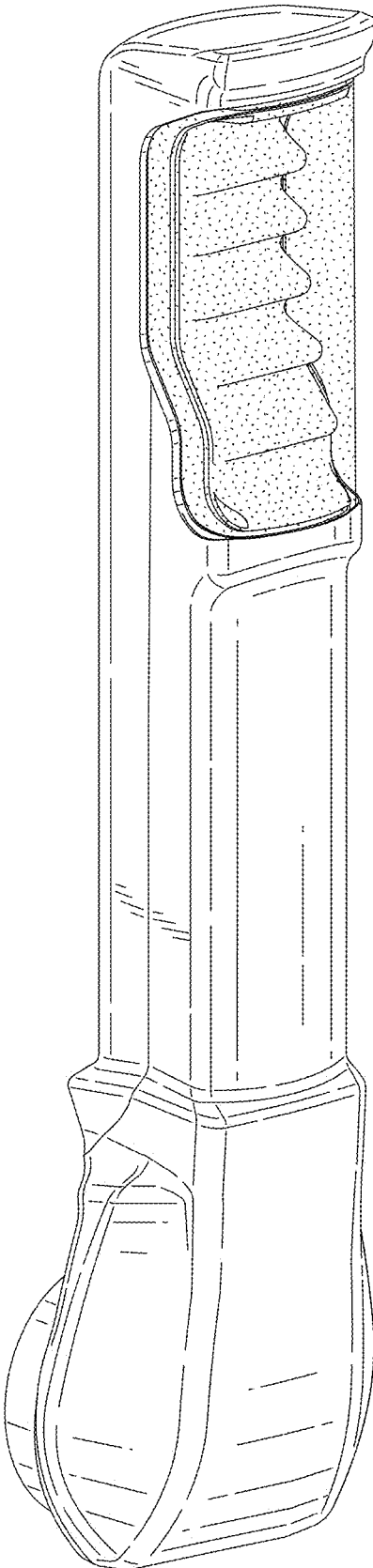


FIG. 8

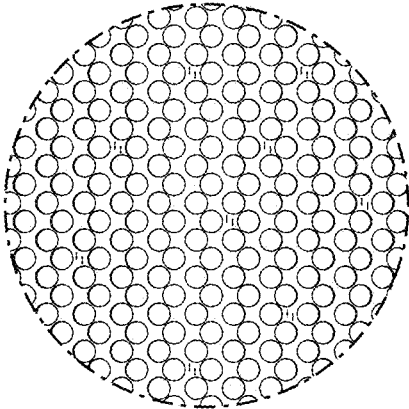
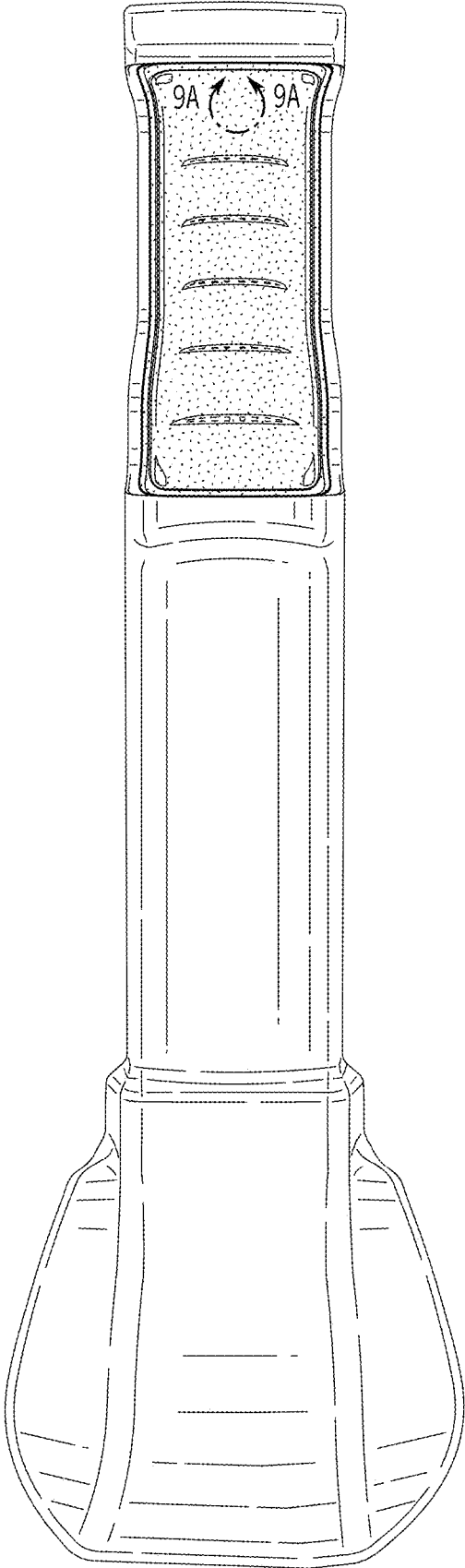


FIG. 9A

FIG. 9

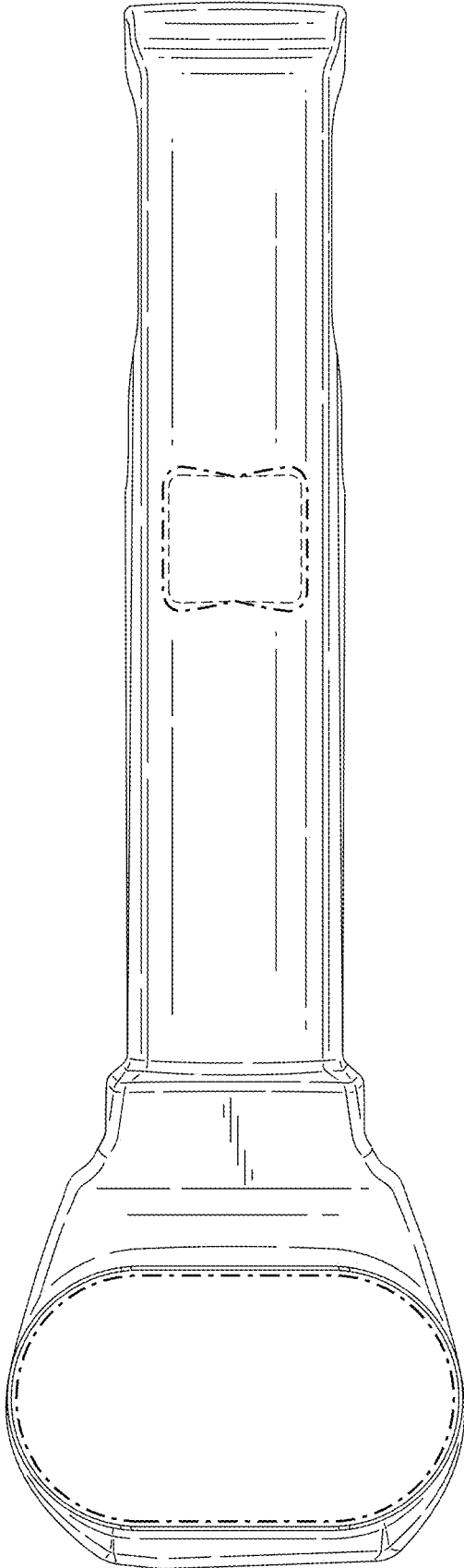


FIG. 10

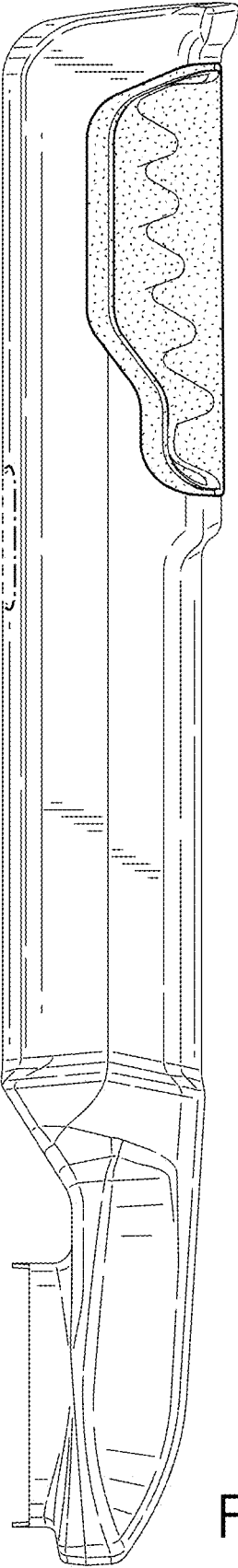


FIG. 11

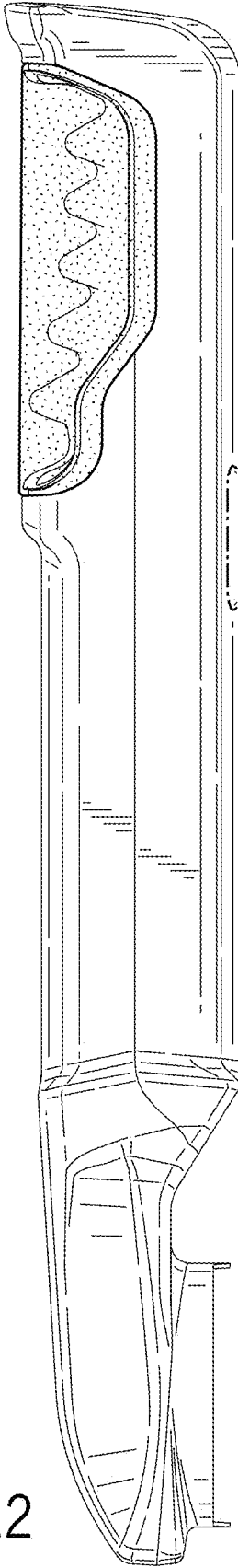


FIG. 12

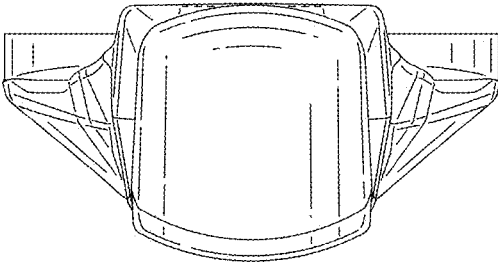


FIG. 13

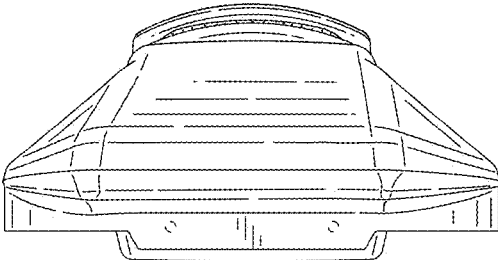


FIG. 14