



US0D1017446S

(12) **United States Design Patent**  
**Kosman et al.**

(10) **Patent No.:** **US D1,017,446 S**  
(45) **Date of Patent:** **\*\* Mar. 12, 2024**

- (54) **RING**
- (71) Applicant: **Circular**, Paris (FR)
- (72) Inventors: **Amaury Kosman**, Orsay (FR); **Adiasa Suharno**, Rodez (FR); **Laurent Bsalis**, Paris (FR)
- (73) Assignee: **Circular**, Paris (FR)
- (\*\*) Term: **15 Years**
- (21) Appl. No.: **29/844,466**
- (22) Filed: **Jun. 29, 2022**
- (51) **LOC (14) Cl.** ..... **11-01**
- (52) **U.S. Cl.**  
USPC ..... **D11/26**
- (58) **Field of Classification Search**  
USPC ..... D11/3, 4, 26-39, 56, 91, 92; D8/367, D8/382, 396, 399, 18; D7/633; D23/266, 262; D14/344  
CPC ..... A44C 9/00; A44C 9/0007; A44C 9/0014; A44C 9/0023; A44C 9/003; A44C 9/0038; A44C 9/0046; A44C 9/0053; A44C 9/0061; A44C 9/0069; A44C 9/0076; A44C 9/0084; A44C 9/0092; A44C 9/02; A44C 17/0258; A44C 17/0266; A44C 17/0275; A44C 17/0283; A44C 17/02; A44C 17/0208; A44C 17/0216; A44C 17/0225; A44C 17/0233; A44C 17/0241; A44C 17/025; A44C 17/0288; A44C 17/0291; A44C 1/00; A44C 3/00; A44C 27/001; G07F 7/1016; G06Q 20/40975; G06K 19/0775; H01Q  
1/27  
See application file for complete search history.

D434,994	S *	12/2000	Ferreira	.....	D11/1
D480,981	S *	10/2003	Pasquetti	.....	D11/26
D531,077	S *	10/2006	Waldmann	.....	D11/39
8,028,413	B2 *	10/2011	Miller	.....	C04B 35/486 63/15
D751,448	S *	3/2016	Baker	.....	D11/26
D753,654	S *	4/2016	Eastwood	.....	D11/4
D789,232	S *	6/2017	Baker	.....	D11/26
D811,260	S *	2/2018	Koskinen	.....	D11/26
D880,339	S *	4/2020	Fridman	.....	D11/26
D928,780	S *	8/2021	Tham	.....	D14/344
D934,102	S *	10/2021	Barnes	.....	D11/26
D946,449	S *	3/2022	McLear	.....	D11/26
D961,582	S *	8/2022	Graber	.....	D14/344
2021/0204815	A1 *	7/2021	Koskela	.....	A61B 5/681
2021/0265054	A1 *	8/2021	Kosman	.....	G06F 1/163

**OTHER PUBLICATIONS**

[Online] <https://www.circular.xyz/shop>. Retrieved Dec. 2, 2023.\*

\* cited by examiner

*Primary Examiner* — Melanie Pellegrini  
(74) *Attorney, Agent, or Firm* — Sandy Lipkin

(57) **CLAIM**

The ornamental design for ring, as shown and described.

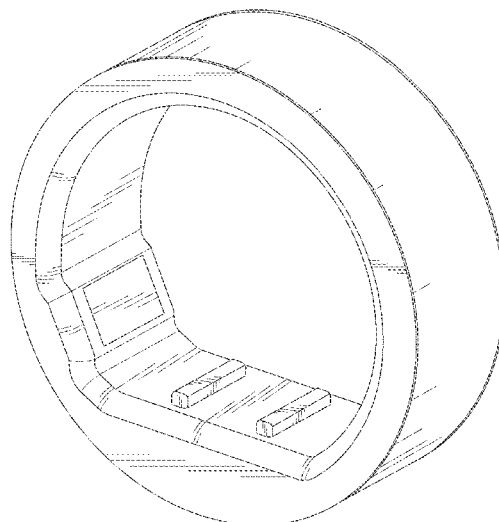
**DESCRIPTION**

FIG. 1 is a top perspective view of the ring of the instant invention.  
 FIG. 2 is a bottom perspective view thereof.  
 FIG. 3 is a front view thereof  
 FIG. 4 is a rear view thereof.  
 FIG. 5 is a left side view thereof.  
 FIG. 6 is a right side view thereof.  
 FIG. 7 is a top view thereof.  
 FIG. 8 is a bottom view thereof; and,  
 FIG. 9 is an exploded view thereof.

**1 Claim, 9 Drawing Sheets**

(56) **References Cited**  
**U.S. PATENT DOCUMENTS**

D291,423	S *	8/1987	Lajoie	.....	D11/35
D392,585	S *	3/1998	Kohl	.....	D11/26



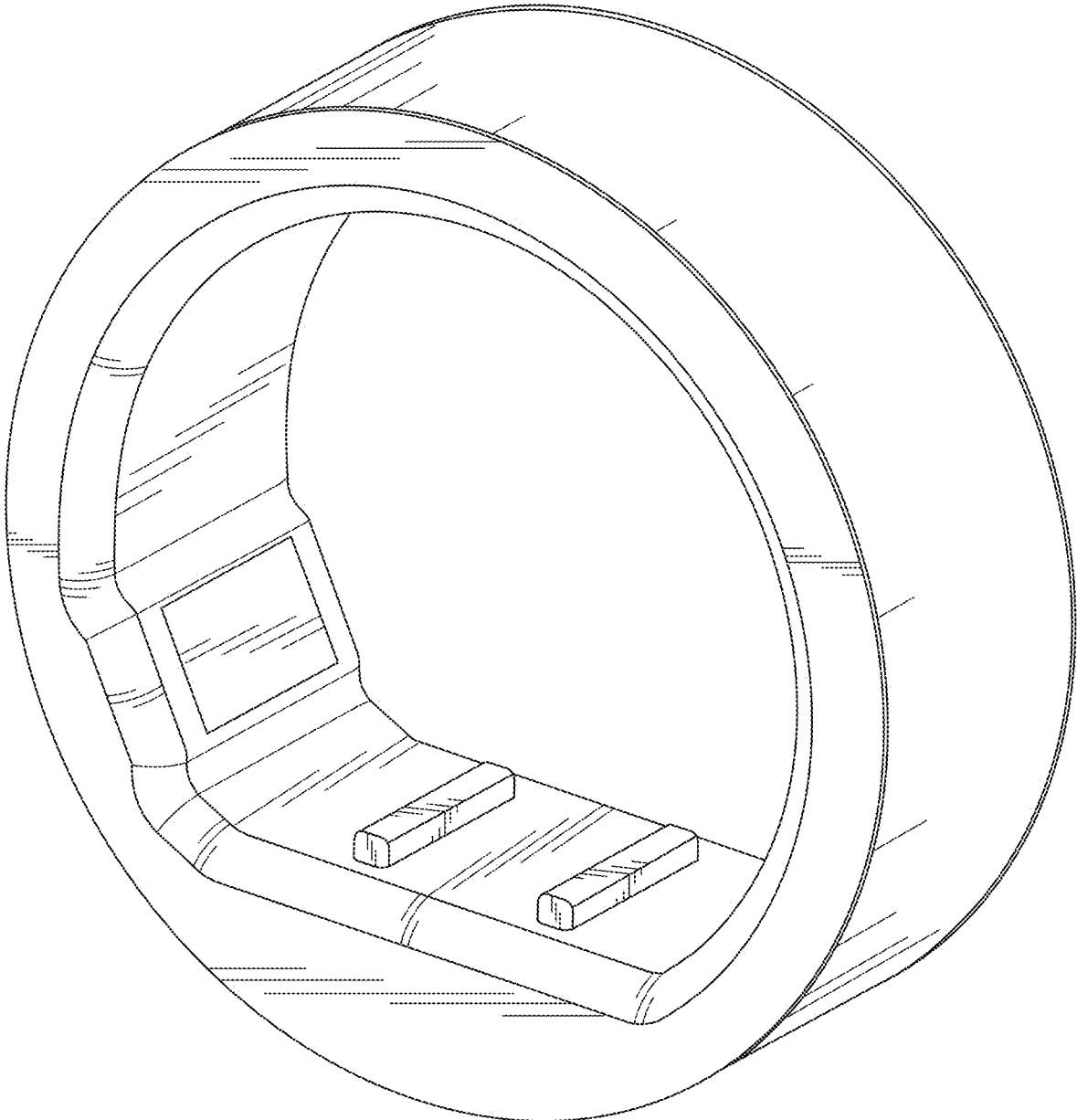


FIG. 1

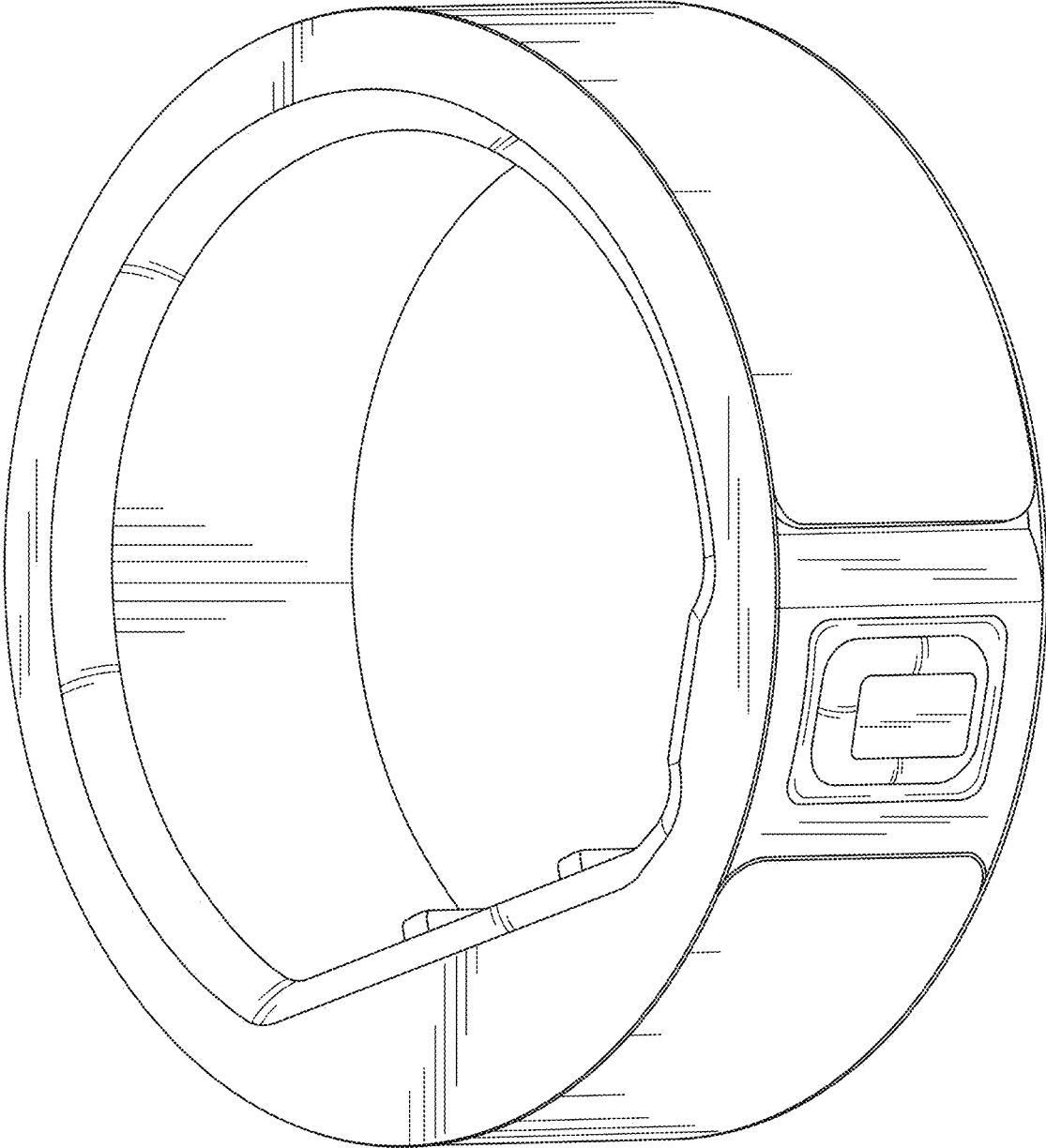


FIG. 2

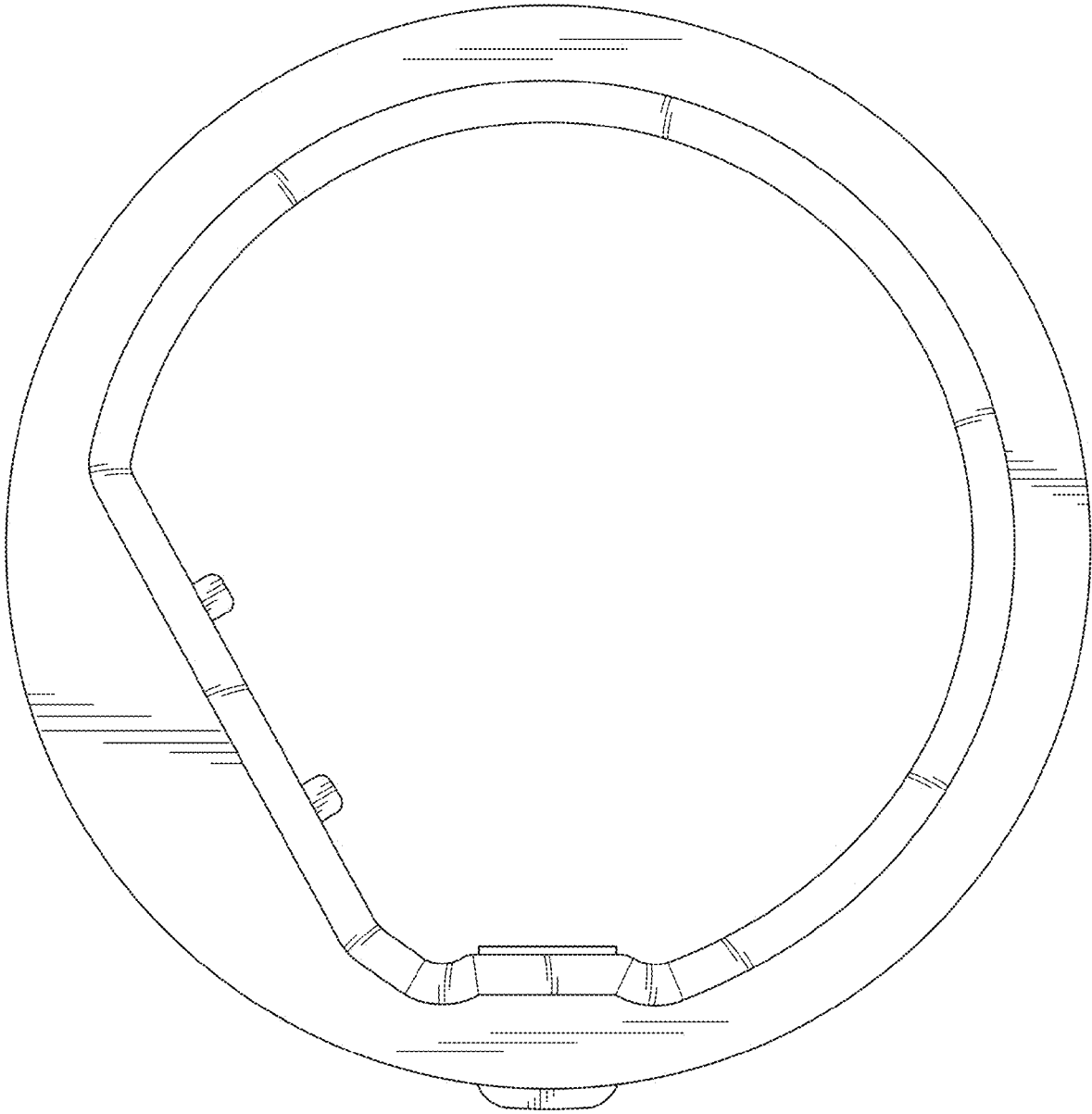


FIG. 3

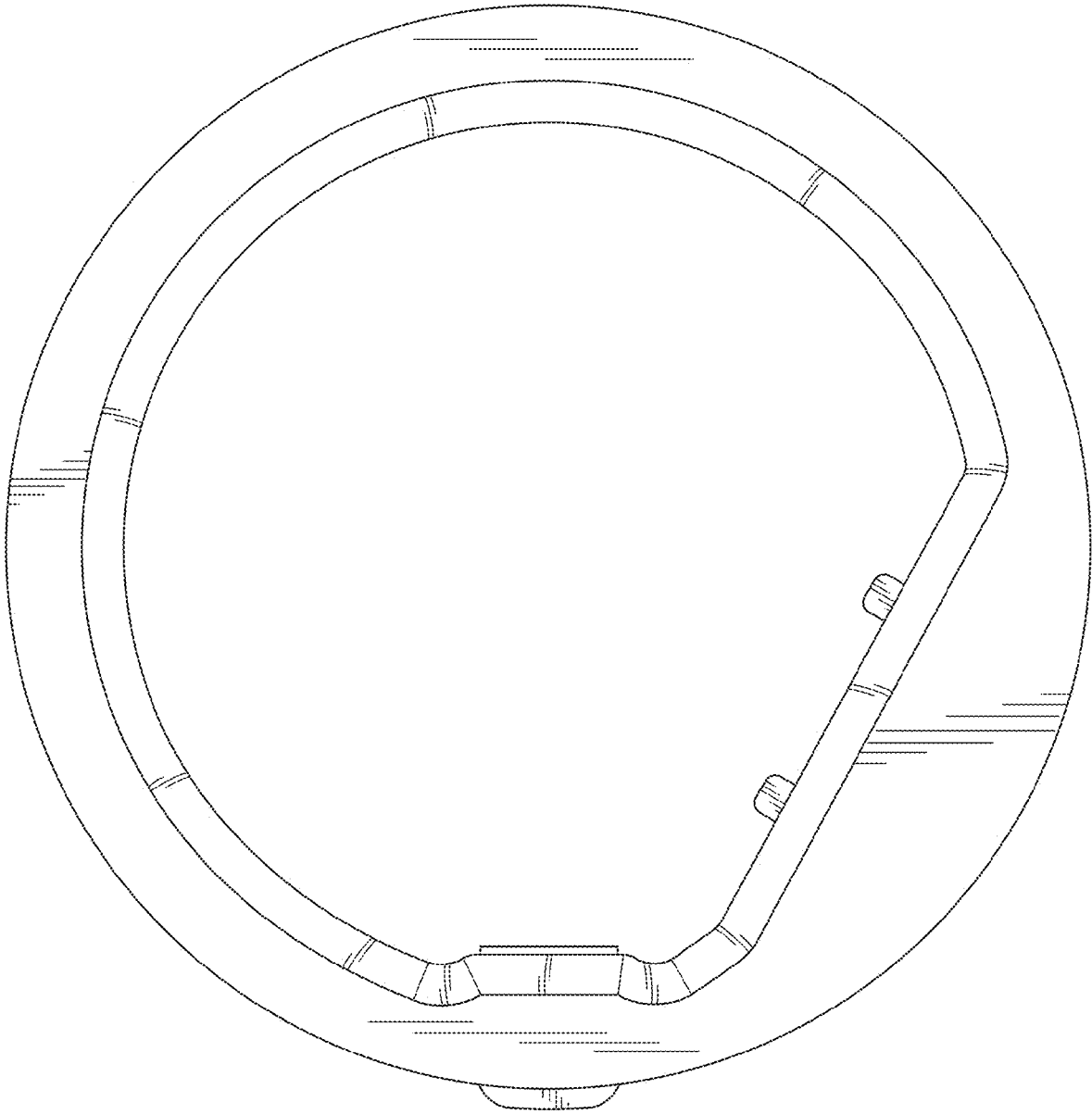


FIG. 4

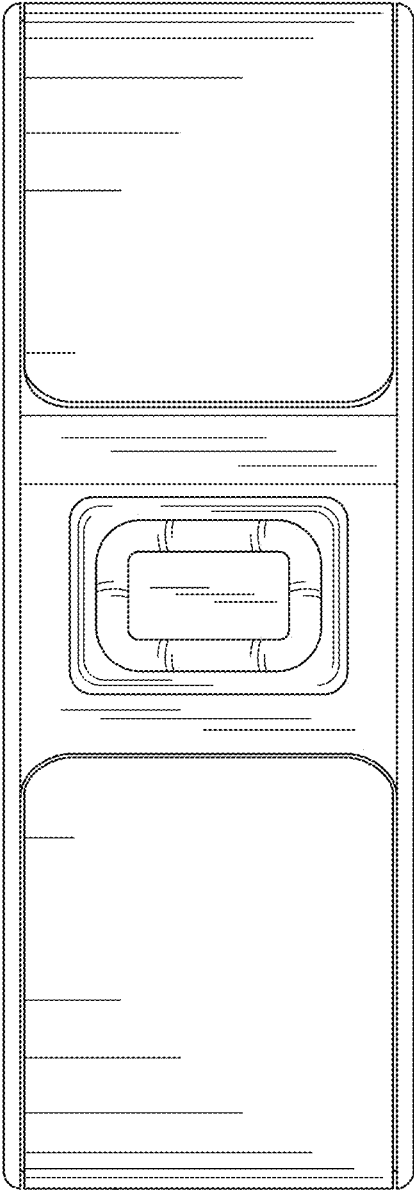


FIG. 5

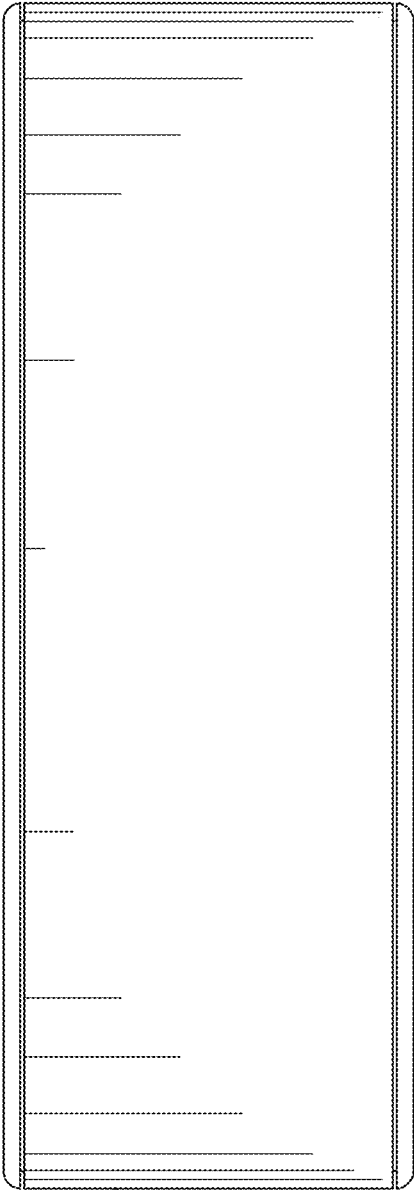


FIG. 6

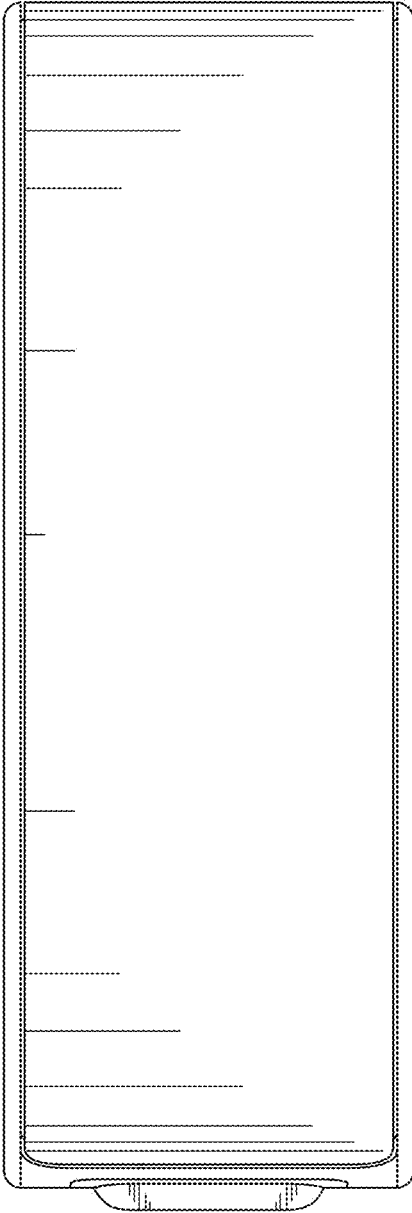


FIG. 7



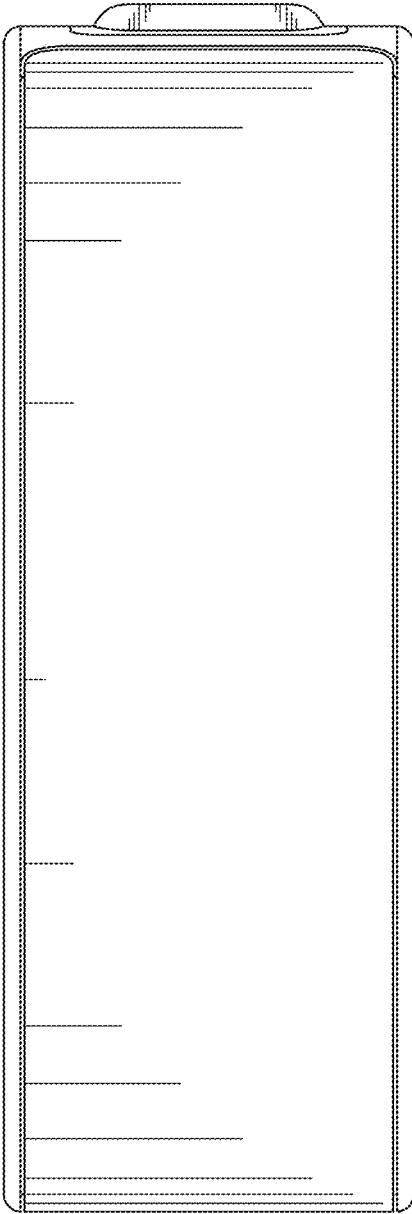


FIG. 8

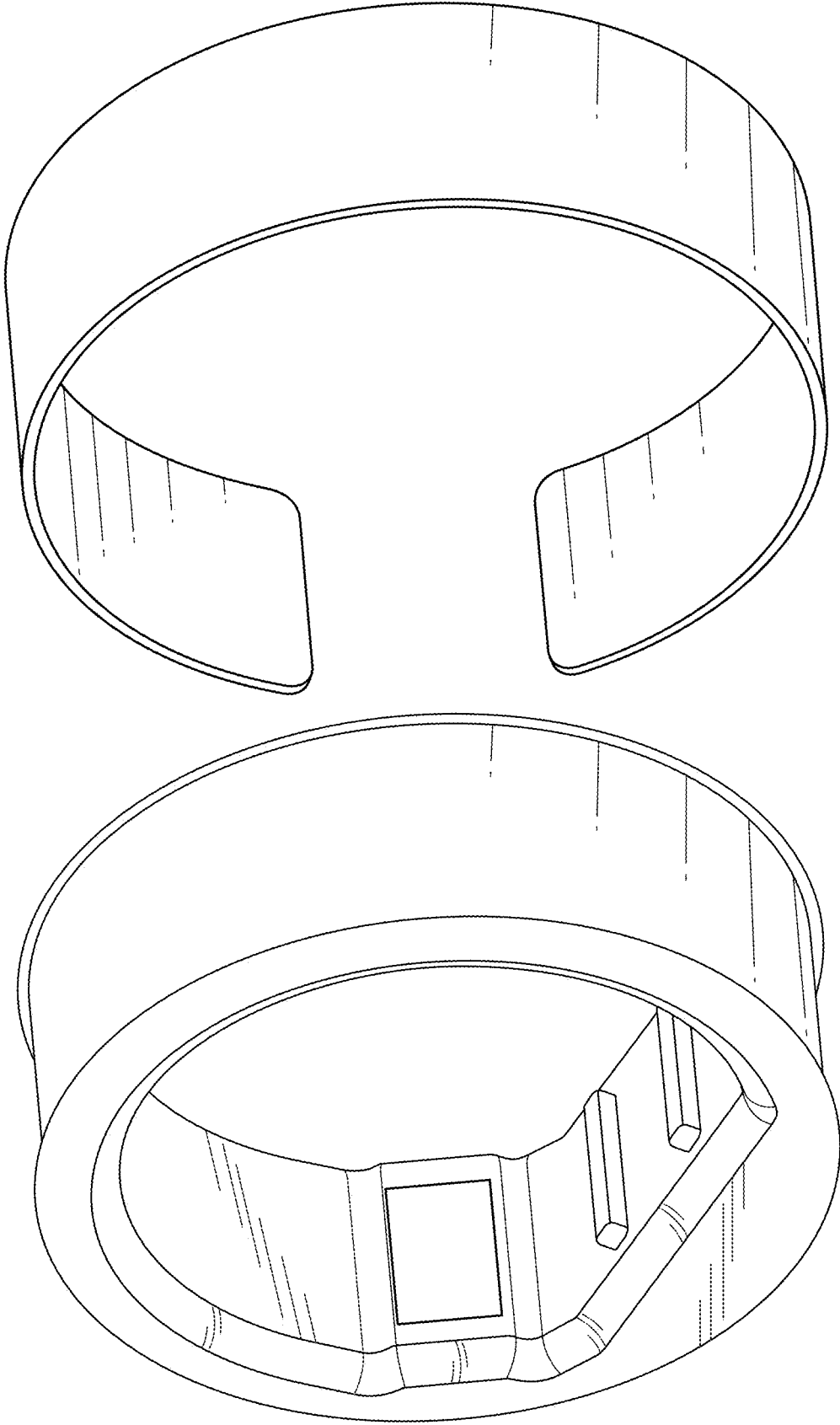


FIG. 9