



US00D996111S

(12) **United States Design Patent**
Tseng

(10) **Patent No.:** **US D996,111 S**

(45) **Date of Patent:** **** Aug. 22, 2023**

- (54) **BAR CHAIR**
- (71) Applicant: **HAUSFAME INC.**, Chicago, IL (US)
- (72) Inventor: **Ryan Tseng**, Chicago, IL (US)
- (73) Assignee: **HAUSFAME INC.**, Chicago, IL (US)
- (**) Term: **15 Years**
- (21) Appl. No.: **29/882,040**

D900,494 S * 11/2020 Tsai D6/360
 D905,985 S * 12/2020 Li D6/360
 D921,379 S * 6/2021 Li
 D953,760 S * 6/2022 Wu D6/360
 D969,508 S * 11/2022 Bentzen D6/360

- (22) Filed: **Jan. 10, 2023**
- (51) **LOC (14) Cl.** **06-01**
- (52) **U.S. Cl.**
- (58) **Field of Classification Search**
 USPC **D6/360; D6/380**
 D6/364–365, 367, 374, 375, 376, 379,
 D6/380, 403–405, 601, 691–691.9,
 D6/692–692.6, 703.6, 703.7, 705, 716.1,
 D6/716.6
 CPC **A47C 4/028; A47C 7/002; A47C 7/004;**
A47C 7/006; A47C 7/18; A47C 3/18;
A47C 7/46; A47C 3/20; A47C 7/24;
A47C 9/00; A47C 3/40; A47C 16/02;
A47C 3/12; A47C 31/02; A47C 31/023;
A47C 31/026
 See application file for complete search history.

(56) **References Cited**

U.S. PATENT DOCUMENTS

D576,415 S * 9/2008 Li D6/360
 D638,633 S * 5/2011 Du
 D686,831 S * 7/2013 Lemson D6/375
 D688,481 S * 8/2013 Lee D6/360
 D689,706 S * 9/2013 Shokouhi D6/360
 D696,036 S * 12/2013 Starck D6/360
 D730,075 S * 5/2015 Kubryk D6/375
 D811,105 S * 2/2018 Williams D6/716.1
 D841,993 S * 3/2019 Kaloustian D6/336
 D853,742 S * 7/2019 Novak D6/375

OTHER PUBLICATIONS

Ferfalder Bar Stool, posted at amazon.com, posting date Aug. 30, 2022, retrieved Feb. 2, 2023, online, URL: https://www.amazon.com/2-Counter-Barstools-Rolling-Kitchen-Counter/dp/B0BCFX1DBS/ref=sr_1_55_sspa?crd=1WN4Z7XNPNMX9&keywords=din... (Year: 2022).*

* cited by examiner

Primary Examiner — Mary Shannon Malley
Assistant Examiner — Michelle Marquart Christeon
(74) *Attorney, Agent, or Firm* — Daniel M. Cohn;
Howard M. Cohn

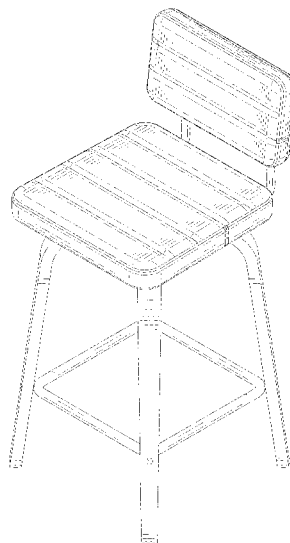
(57) **CLAIM**

The ornamental design for a bar chair, as shown and described.

DESCRIPTION

FIG. 1 is a perspective view of a bar chair showing my new design;
FIG. 2 is another perspective view thereof;
FIG. 3 is a front elevational view thereof;
FIG. 4 is a rear elevational view thereof;
FIG. 5 is a left side elevational view thereof;
FIG. 6 is a right side elevational view thereof;
FIG. 7 is a top plan view thereof;
FIG. 8 is a bottom plan view thereof; and,
FIG. 9 is an enlarged view of portion 9 shown in FIG. 2.
The dash-dash broken lines in the drawings depict portions of the bar chair that form no part of the claimed design. The dot-dash broken lines represent boundaries of the enlarged portion and form no part of the claimed design.

1 Claim, 9 Drawing Sheets



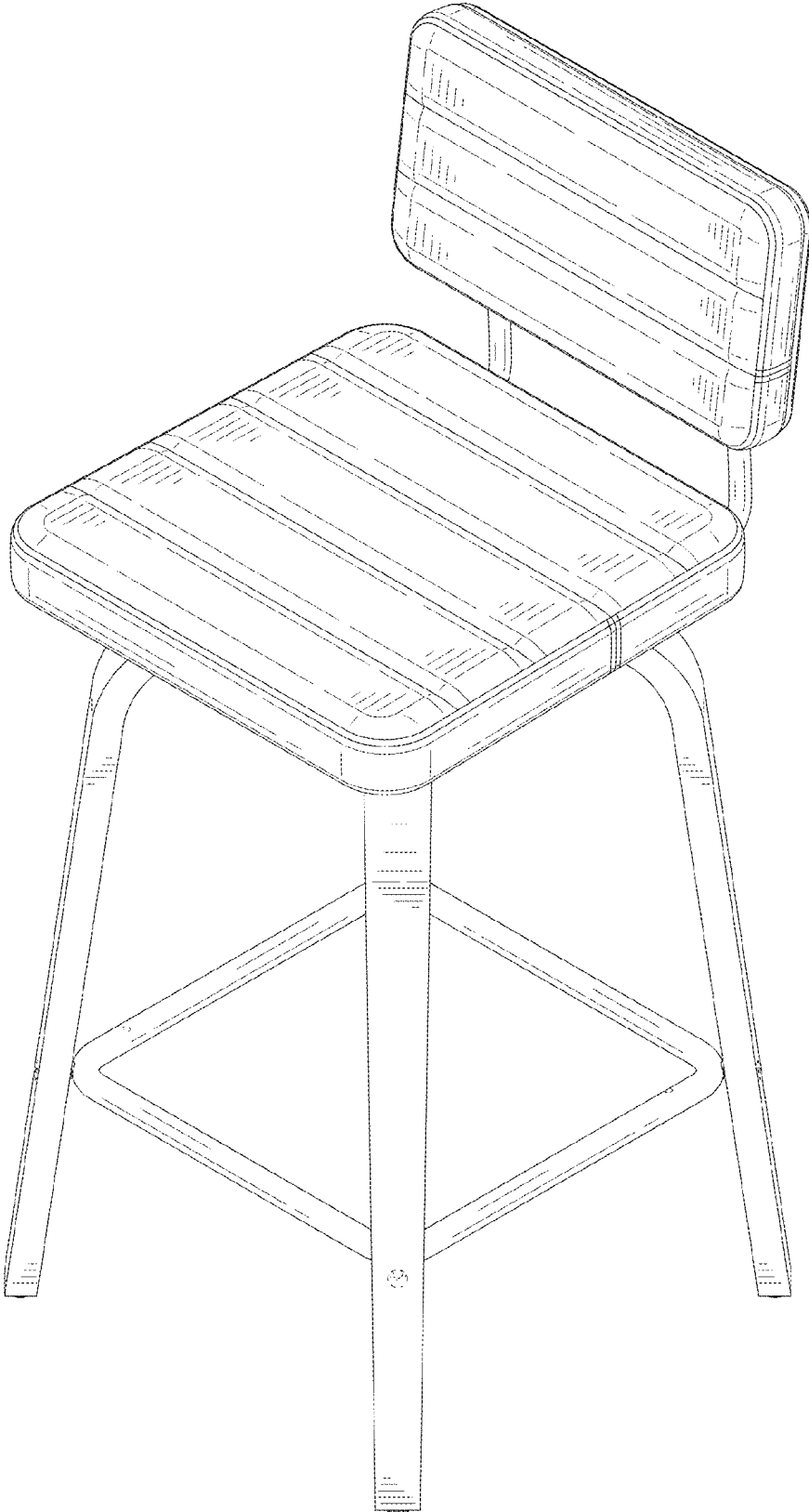


FIG. 1

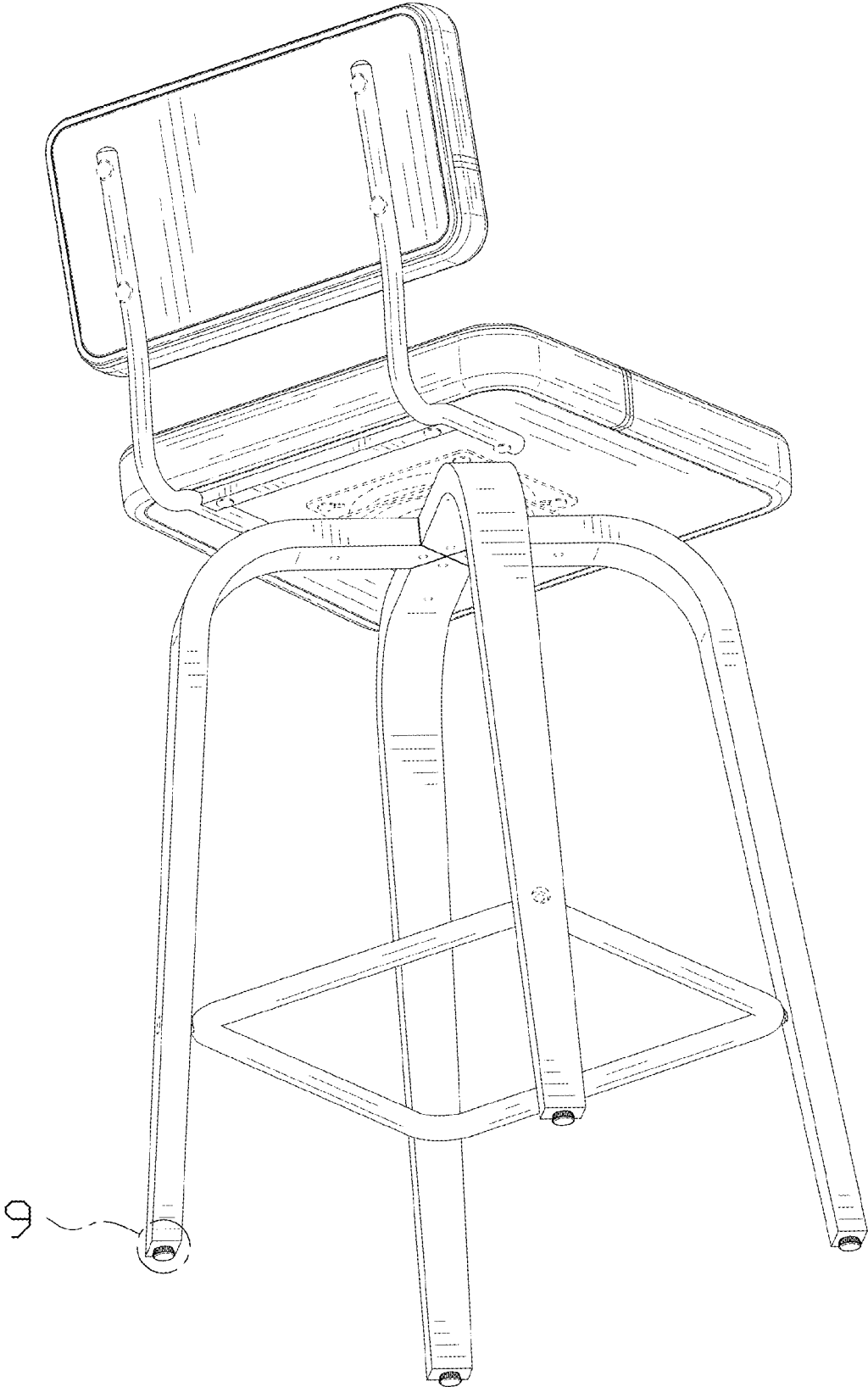


FIG. 2

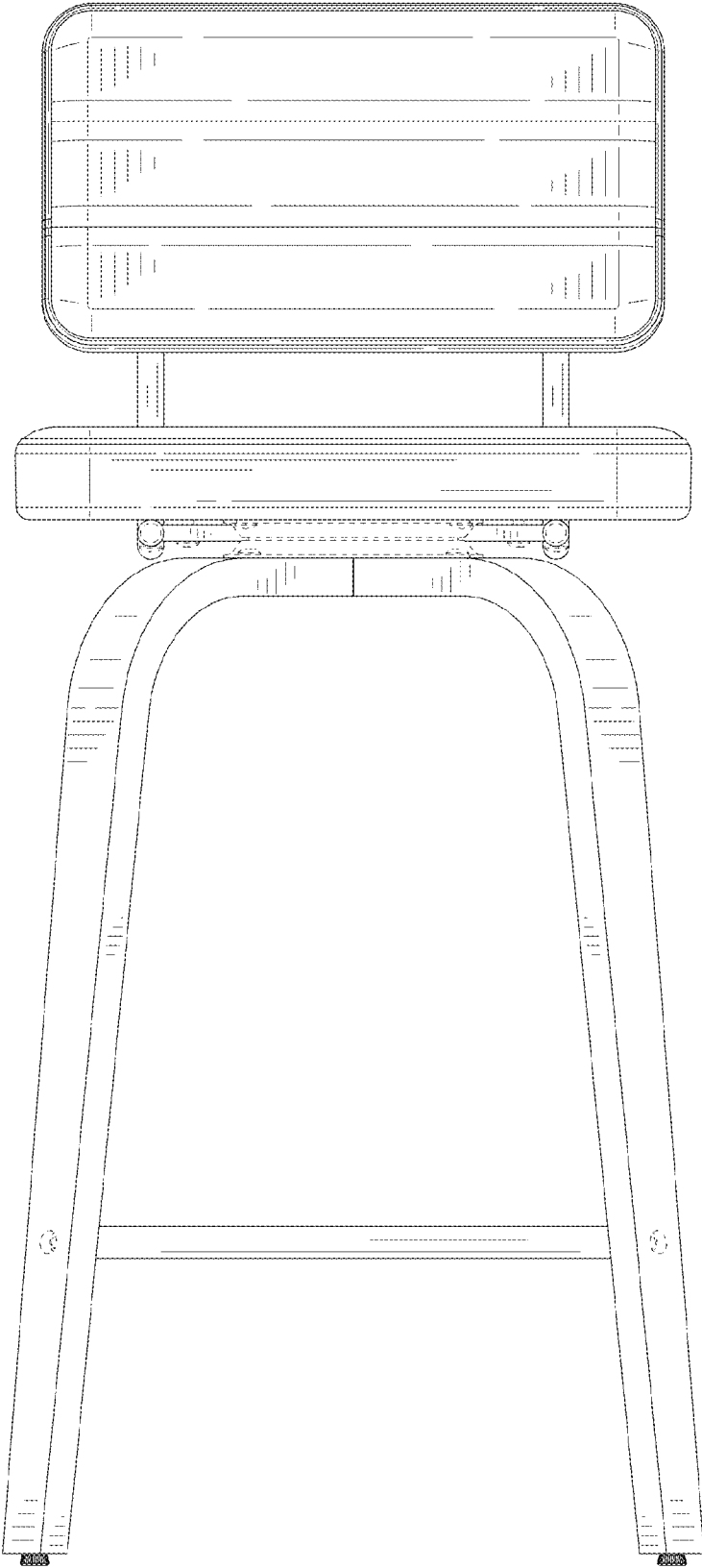


FIG. 3

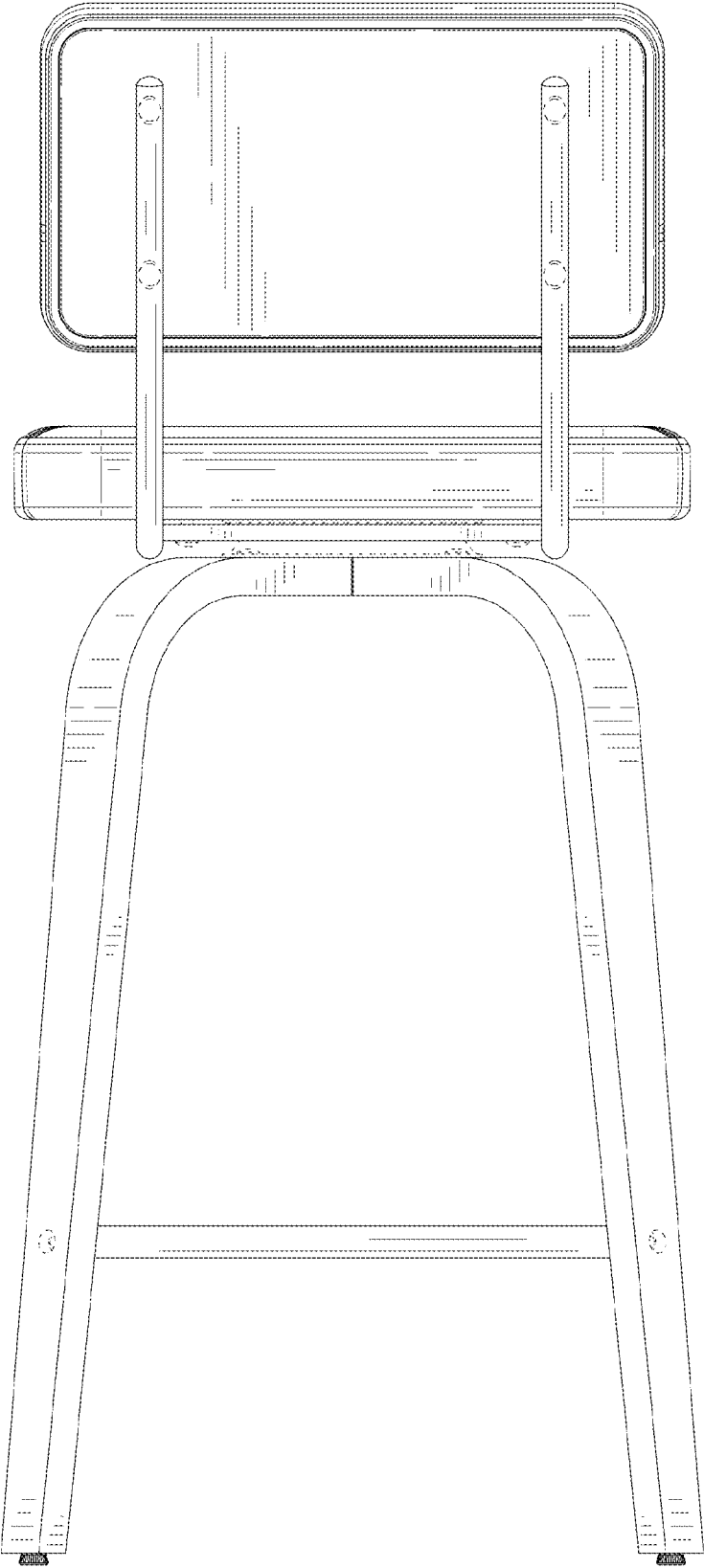


FIG. 4

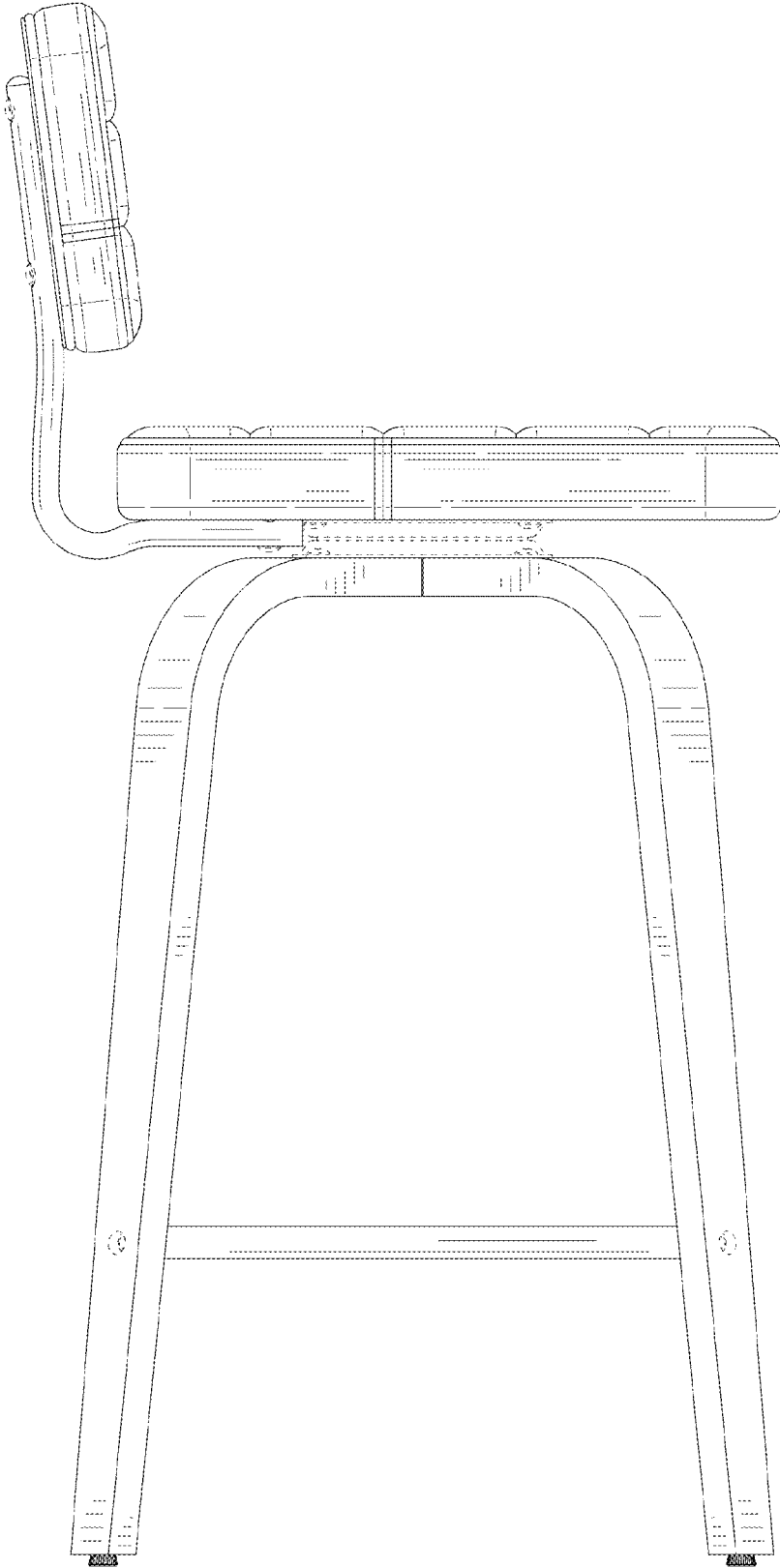


FIG. 5

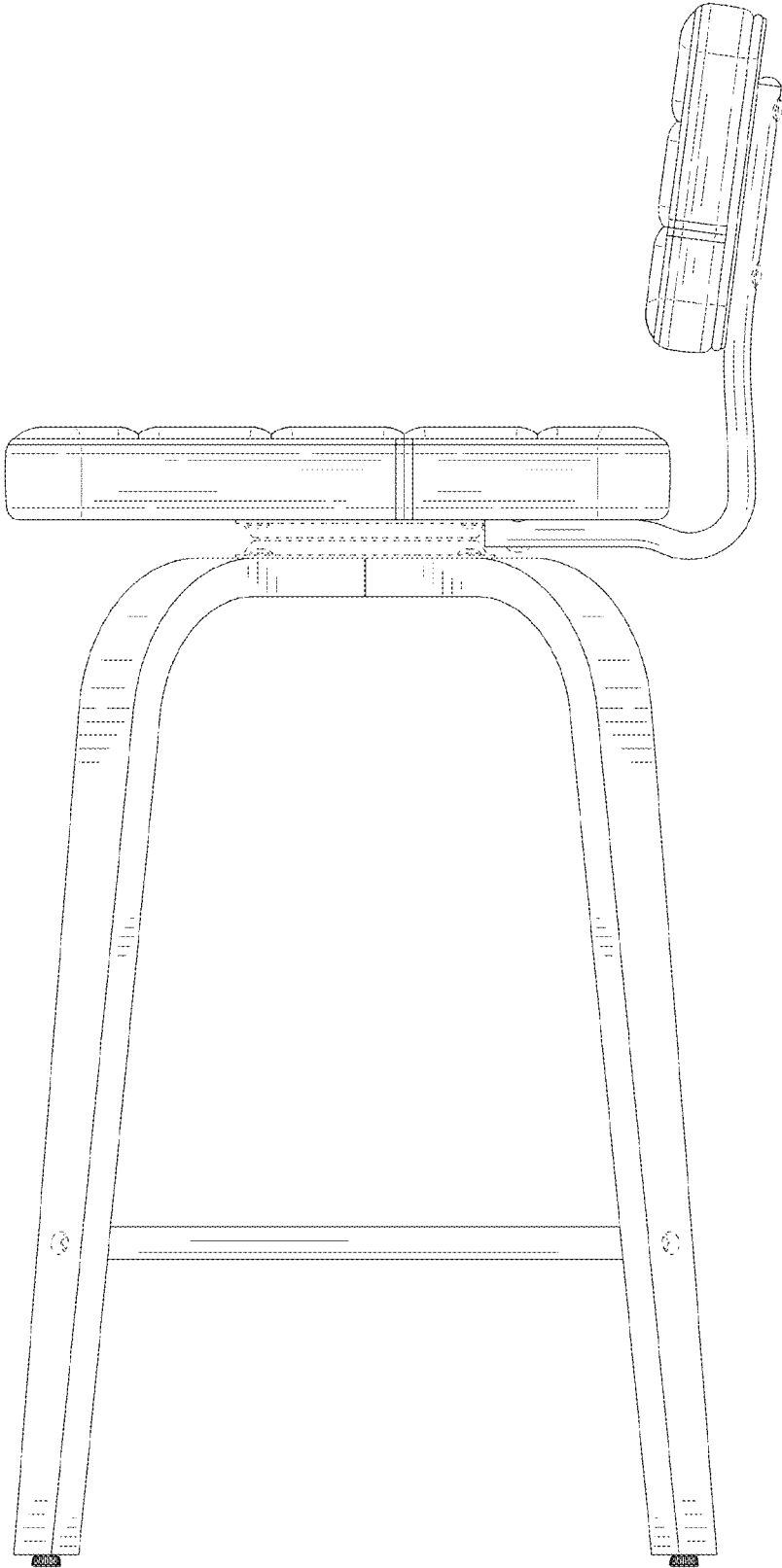


FIG. 6

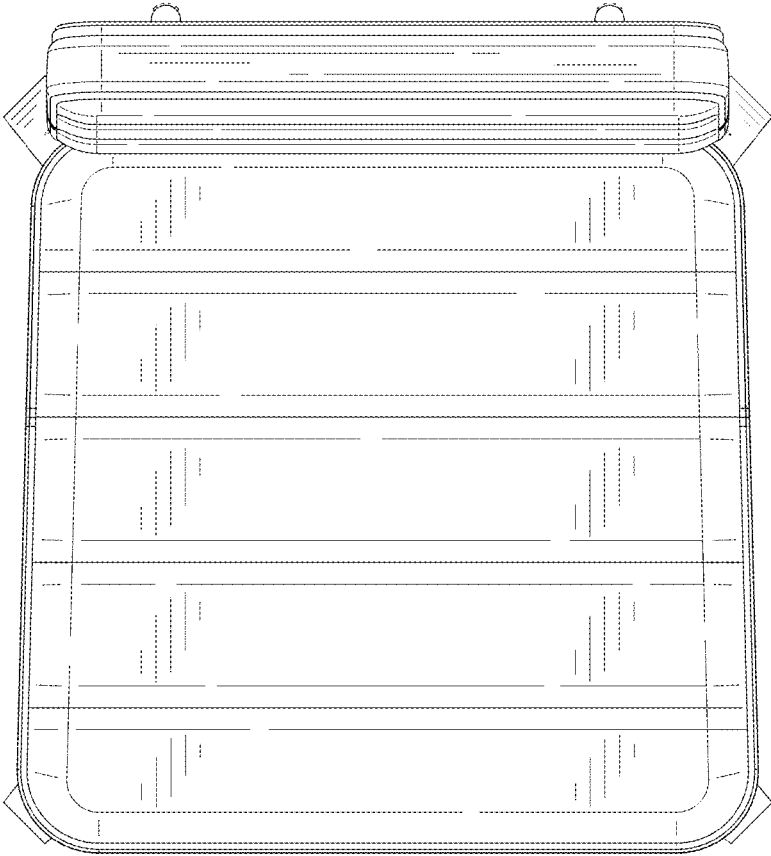


FIG. 7

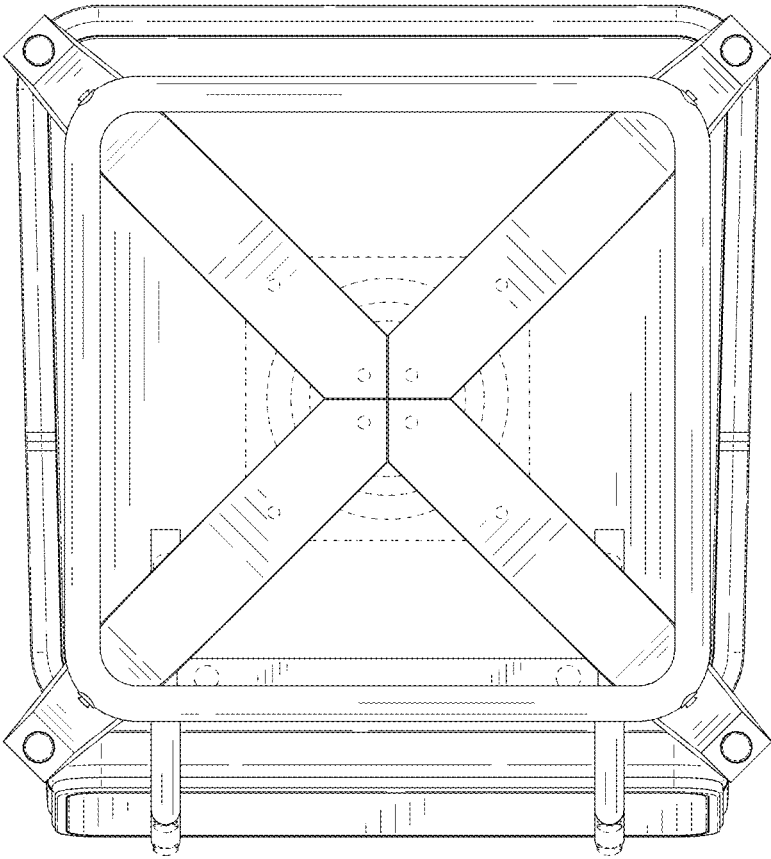


FIG. 8

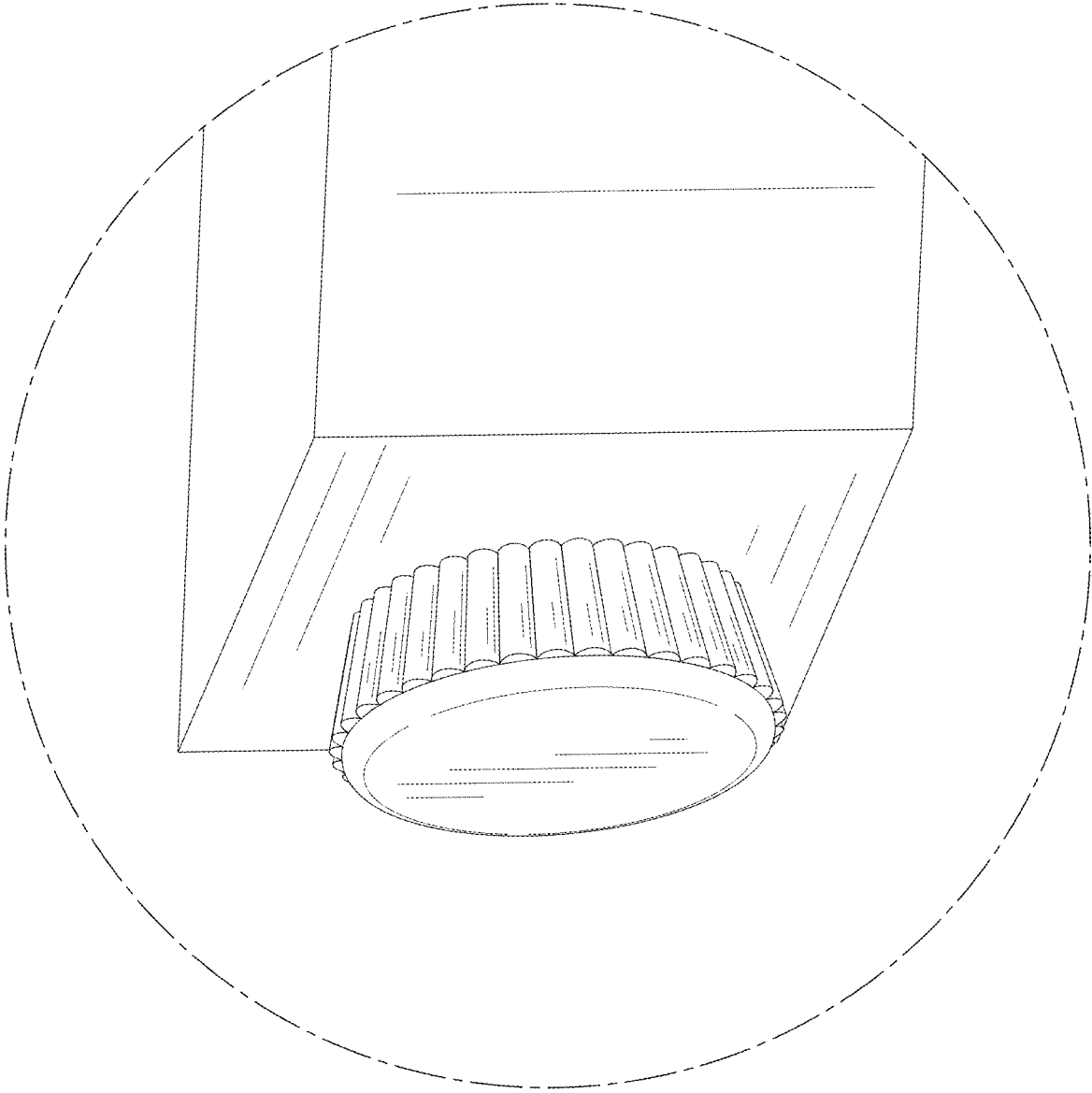


FIG. 9