



US0D1035898S

(12) **United States Design Patent**
Zhu

(10) **Patent No.:** **US D1,035,898 S**

(45) **Date of Patent:** **** Jul. 16, 2024**

(54) **HAND WARMER**

(71) Applicant: **Guangdong Aoyun Technology Co., LTD.**, Huizhou (CN)

(72) Inventor: **Xueping Zhu**, Huizhou (CN)

(73) Assignee: **Guangdong Aoyun Technology Co., LTD.**, Huizhou (CN)

(**) Term: **15 Years**

(21) Appl. No.: **29/896,714**

(22) Filed: **Jul. 6, 2023**

(30) **Foreign Application Priority Data**

Jun. 28, 2023 (CN) 202330398725.0

(51) **LOC (14) CL.** **24-01**

(52) **U.S. CL.**
USPC **D24/206; D23/341**

(58) **Field of Classification Search**
USPC D24/200, 206–208; D14/402–403, 250;
D29/113; D21/584, 604, 606, 653, 656;
D23/341

CPC A61F 2007/0036; A61F 7/007; A61F 7/02;
A61F 2007/0001; A61F 7/034; A61F
7/0085; A61F 2007/0087; A61F 7/00;
A61F 2007/0238; A61F 2007/0233; A41D
19/0037; A41D 1/002; A63B 2225/64;
H05B 2203/036; H05B 1/0252; A61H
2205/065; A61H 2201/0207

See application file for complete search history.

(56) **References Cited**

U.S. PATENT DOCUMENTS

D493,792 S * 8/2004 Rueb D14/408
D616,103 S * 5/2010 Ford-Robertson D24/200
D676,130 S * 2/2013 Lovell D24/112
D878,617 S * 3/2020 Zhu D24/206
D901,027 S * 11/2020 Luo D24/206
D912,261 S * 3/2021 Tang D24/206

D919,824 S 5/2021 Zhu
D930,173 S * 9/2021 Zeng D24/206
D931,480 S * 9/2021 Pi D24/206
D935,039 S 11/2021 Zhu

(Continued)

FOREIGN PATENT DOCUMENTS

CN 303107178 * 2/2015
CN 306985764 * 12/2021

OTHER PUBLICATIONS

Beskar Rechargeable Hand Warmer, Oct. 18, 2021, Amazon, retrieved Jul. 26, 2023, <https://www.amazon.com/dp/B09C6NVTW8/> (Year: 2021).*

Primary Examiner — Katherine A Holbrow
Assistant Examiner — Christopher M Spivey
(74) *Attorney, Agent, or Firm* — Kunzler Bean & Adamson, PC; Alandra Adams

(57) **CLAIM**

The ornamental design for a hand warmer, as shown and described.

DESCRIPTION

FIG. 1 is a front, right and top perspective view of a hand warmer, showing my design.

FIG. 2 is a rear, left and bottom perspective view thereof.

FIG. 3 is a front elevation view thereof.

FIG. 4 is a rear elevation view thereof.

FIG. 5 is a left side elevation view thereof.

FIG. 6 is a right side elevation view thereof.

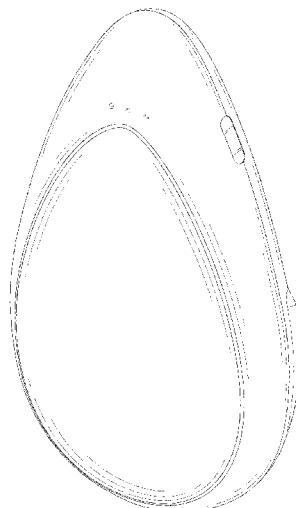
FIG. 7 is a top plan view thereof.

FIG. 8 is a bottom plan view thereof; and,

FIG. 9 is another front, right and top perspective view of the hand warmer, showing the design with environment.

The broken line is included for the purpose of illustrating portions of the hand warmer and environmental subject matter that form no part of the claimed design.

1 Claim, 9 Drawing Sheets



(56)

References Cited

U.S. PATENT DOCUMENTS

D939,721	S	*	12/2021	Zeng	D24/206
D955,985	S	*	6/2022	Xie	D13/108
D977,125	S	*	1/2023	Chen	D24/206
2008/0053979	A1	*	3/2008	Toya	A61H 23/0263
						219/385
2012/0310120	A1	*	12/2012	Orlando	A61H 1/00
						601/15

* cited by examiner

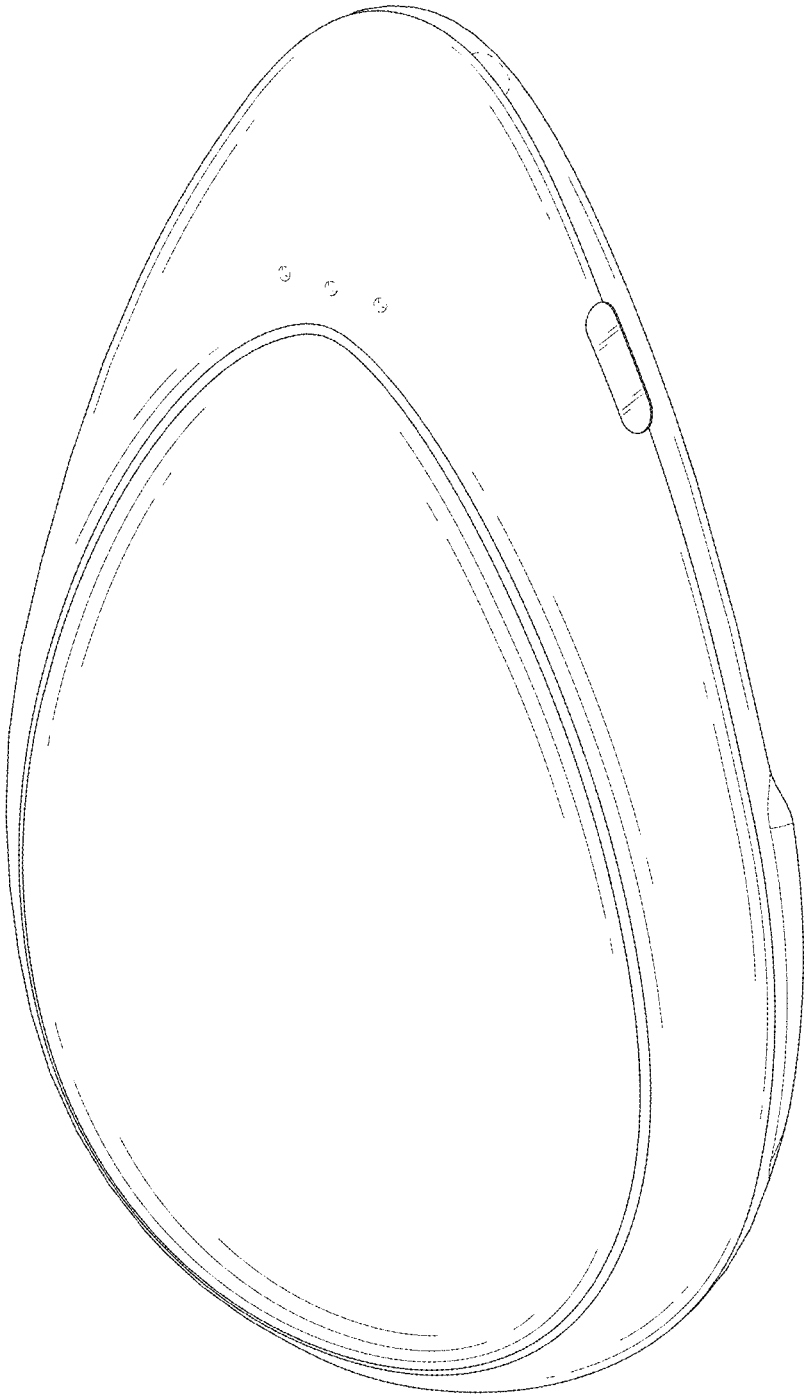


FIG. 1

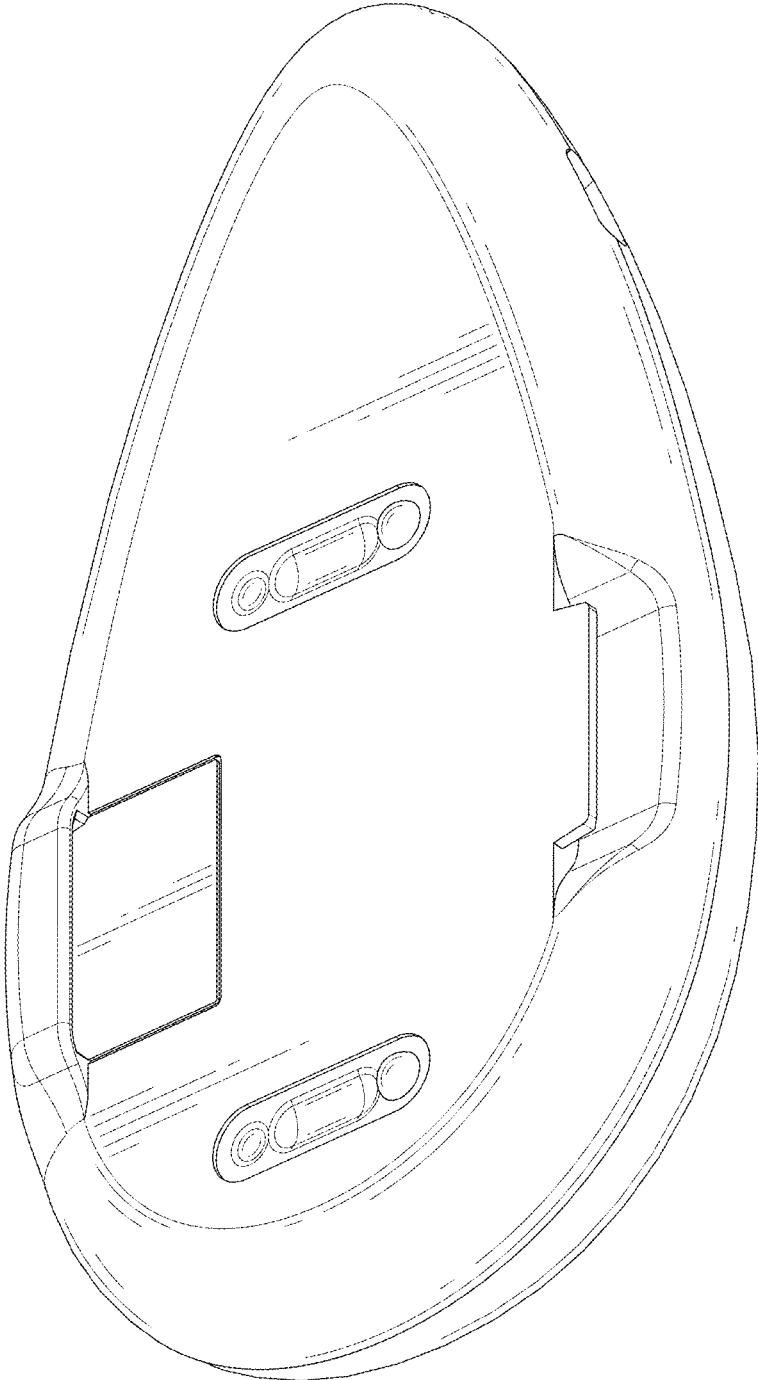


FIG.2

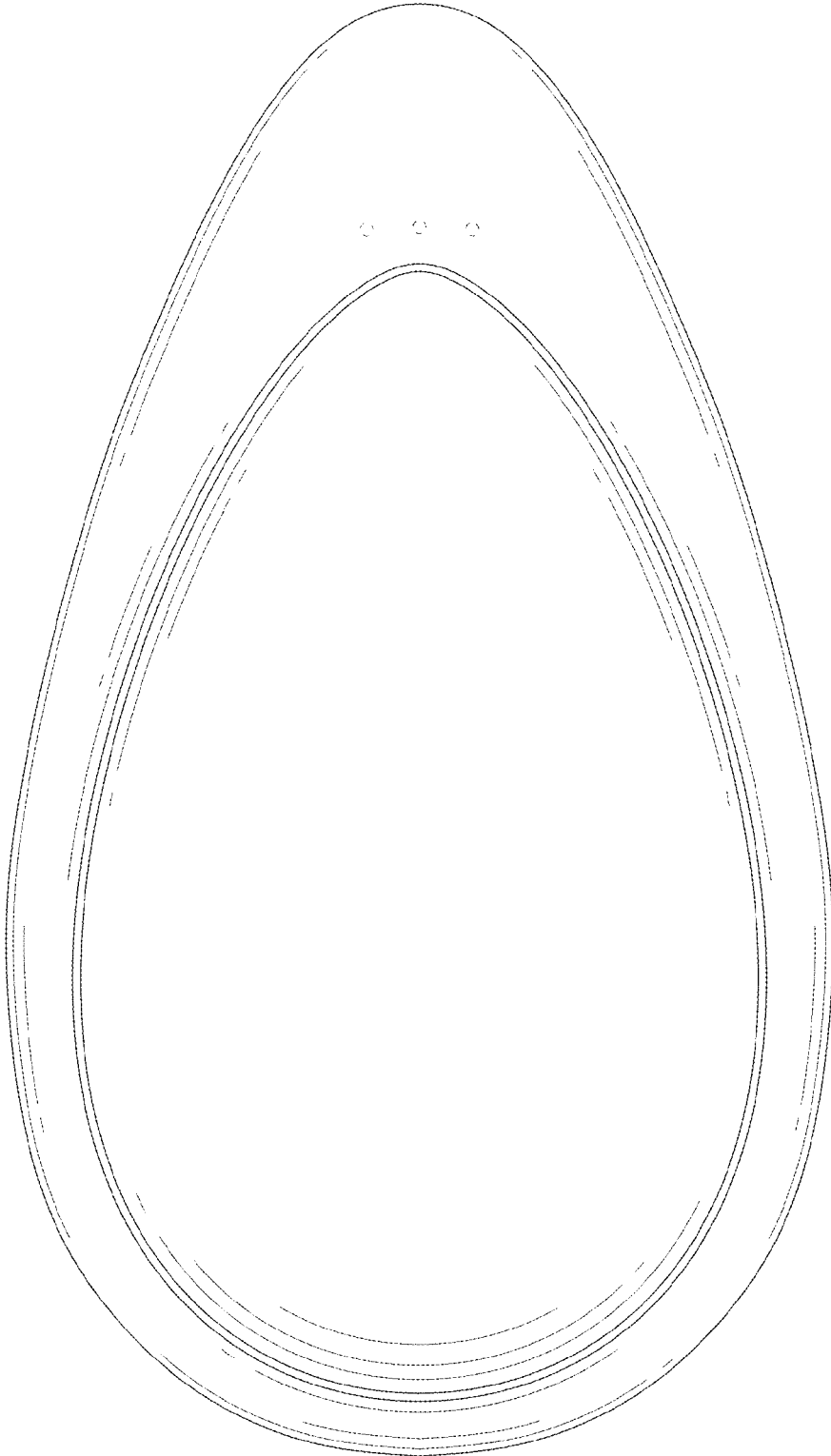


FIG. 3

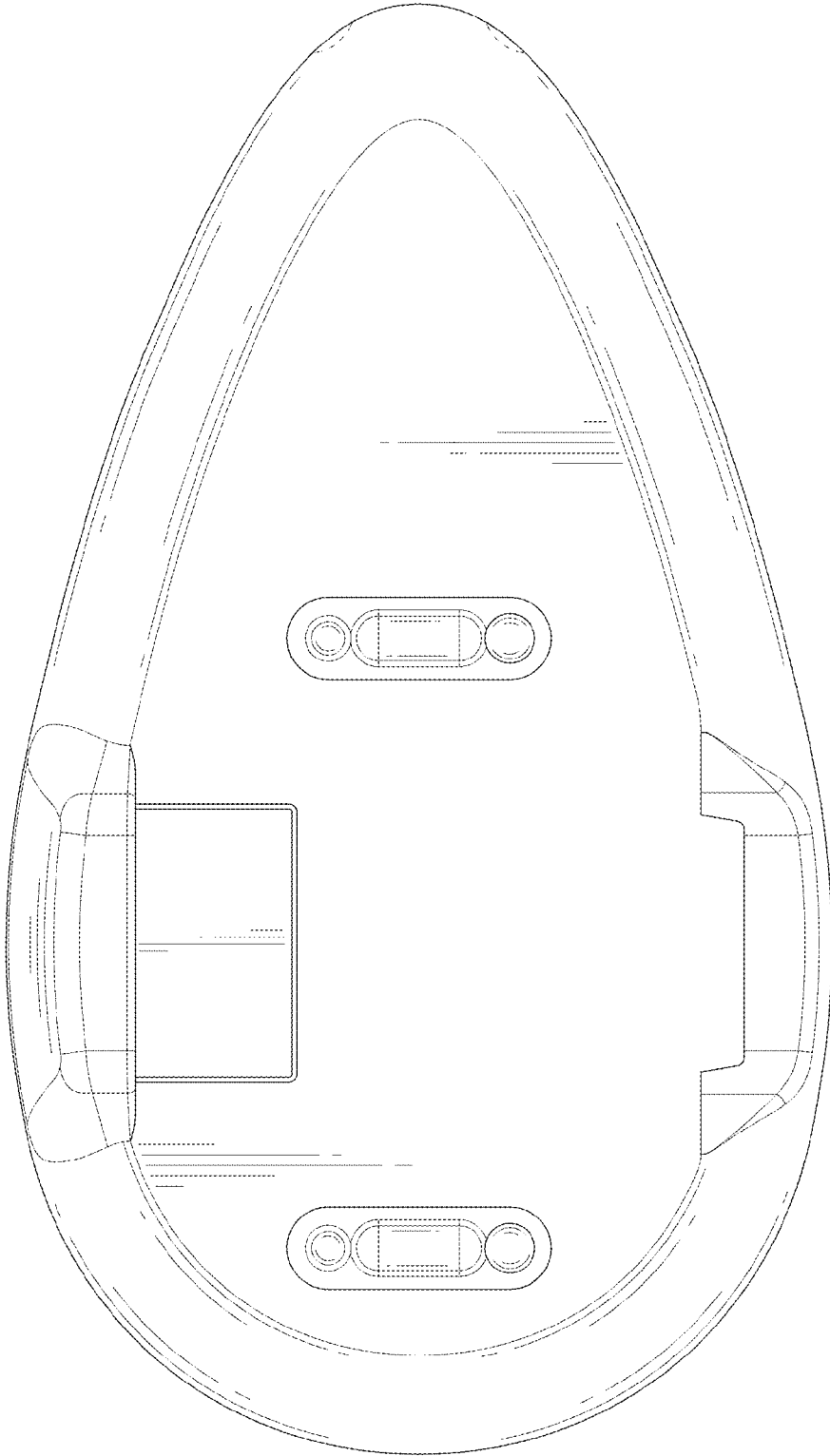


FIG. 4

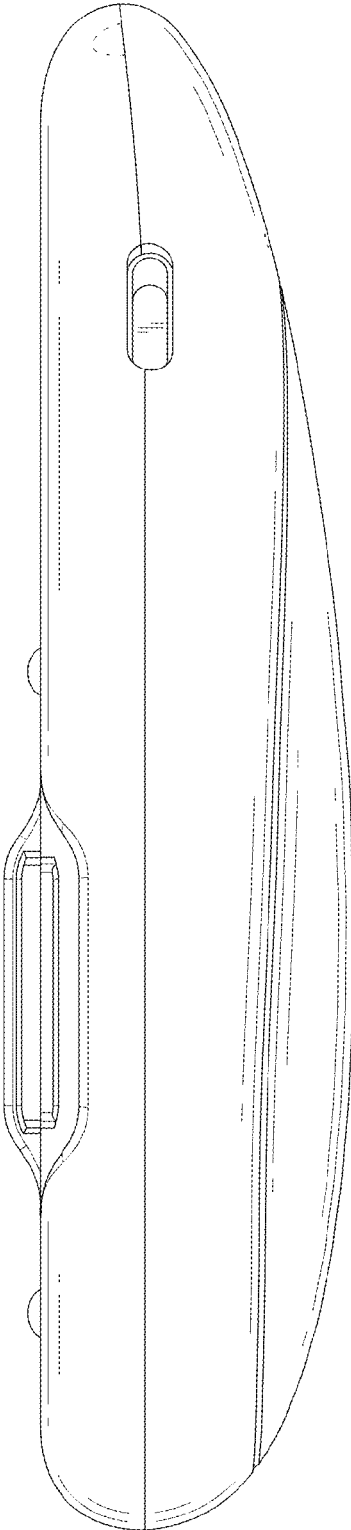


FIG.5

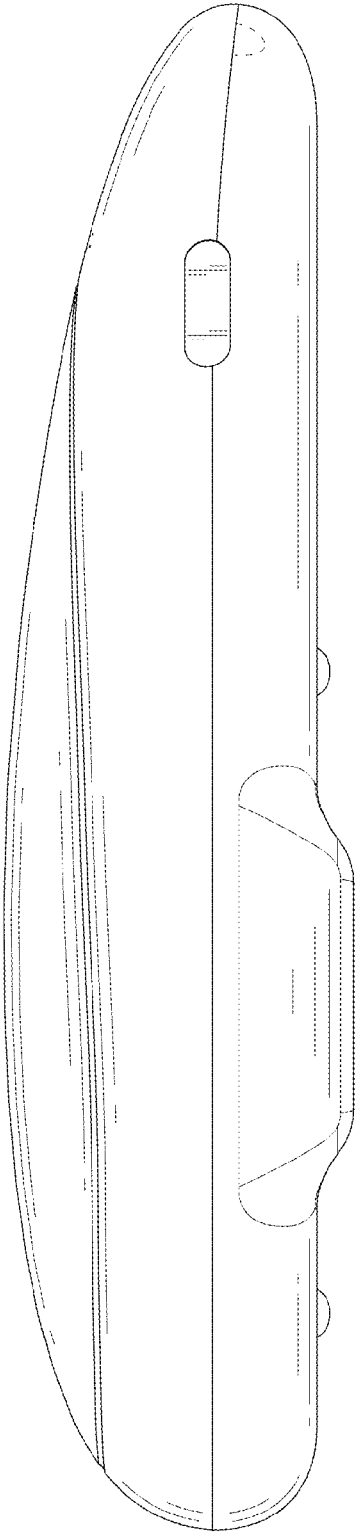


FIG. 6

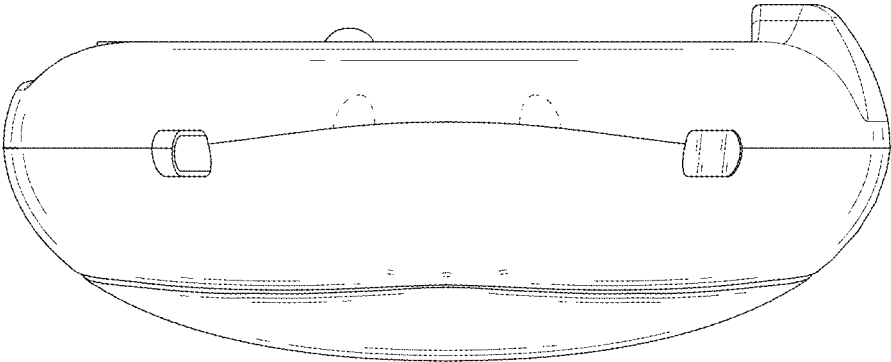


FIG. 7

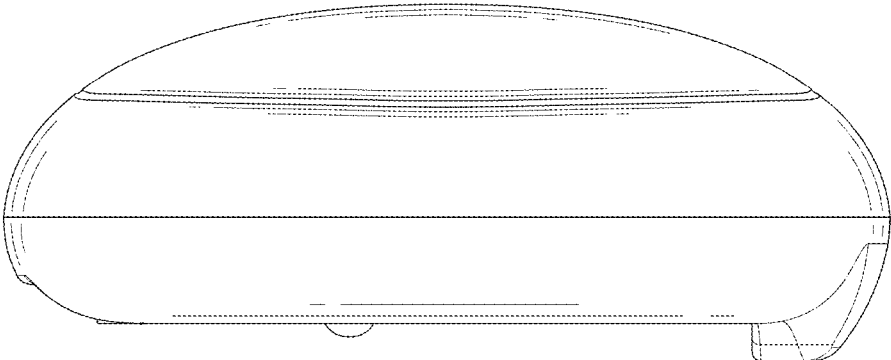


FIG. 8

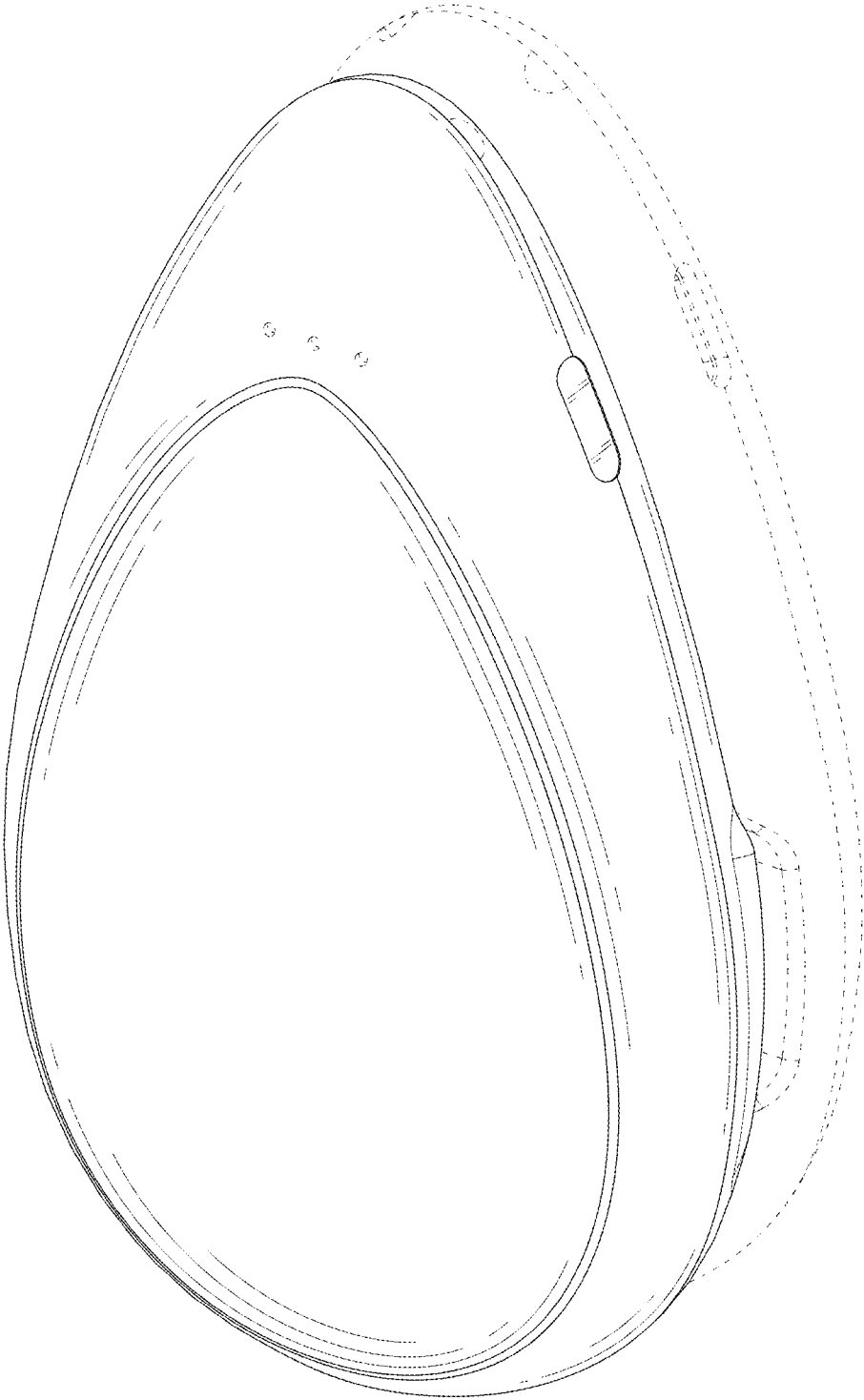


FIG. 9