



US00D825712S

(12) **United States Design Patent**  
**Nelson**

(10) **Patent No.:** **US D825,712 S**  
(45) **Date of Patent:** **\*\* Aug. 14, 2018**

- (54) **FISHING HOOK SECURING DEVICE**
- (71) Applicant: **Timothy M. Nelson**, Blythewood, SC (US)
- (72) Inventor: **Timothy M. Nelson**, Blythewood, SC (US)
- (\*\*) Term: **15 Years**
- (21) Appl. No.: **29/593,180**
- (22) Filed: **Feb. 7, 2017**
- (51) **LOC (11) Cl.** ..... **22-05**
- (52) **U.S. Cl.**  
USPC ..... **D22/134**
- (58) **Field of Classification Search**  
USPC ..... D22/134, 149-150, 199; 43/21.2, 25.2, 43/57.1, 57.2; 206/315.11  
CPC ..... A42B 1/24; A01K 83/00; A01K 87/06; A01K 97/06  
See application file for complete search history.

- 7,159,356 B2 \* 1/2007 Westcott ..... A01K 97/06 43/25.2
- 7,191,559 B1 \* 3/2007 Laceky ..... A01K 87/06 43/21.2
- 7,543,359 B2 6/2009 Moughelbay et al.
- 2003/0182771 A1 10/2003 Leach et al.

**OTHER PUBLICATIONS**

Uline, Releasable Nylon Cable Ties—12, Black, date of printing Apr. 24, 2018 (Year: 2018).\*

Velcro® Brand Cable Ties—3/4x6", Black. Product Listing [online]. Uline, 2016 [retrieved on Jun. 22, 2016]. Retrieved from the Internet: [https://www.uline.com/Product/Detail/S-17101/Velcro-Hook-and-Loop-Tape/Velcro-Cable-Ties-3-4-x-6-Black?pricode=WY855&gadtype=pla&id=S-17101&gclid=CP3\\_753muc0CFYE2gQodYl0Lv&gclsrc=aw.ds](https://www.uline.com/Product/Detail/S-17101/Velcro-Hook-and-Loop-Tape/Velcro-Cable-Ties-3-4-x-6-Black?pricode=WY855&gadtype=pla&id=S-17101&gclid=CP3_753muc0CFYE2gQodYl0Lv&gclsrc=aw.ds)

\* cited by examiner

*Primary Examiner* — Catherine R Oliver-Garcia  
(74) *Attorney, Agent, or Firm* — Cramer Patent & Design, PLLC; Aaron R. Cramer

(56) **References Cited**

**U.S. PATENT DOCUMENTS**

- 2,597,601 A \* 5/1952 Sherman ..... A42B 1/24 43/57.1
- 2,795,890 A \* 6/1957 Metsker ..... A01K 97/06 43/57.1
- 3,279,008 A 10/1966 Wallach
- D219,973 S \* 2/1971 Sather ..... 43/57.1
- 3,940,873 A 3/1976 Lawless
- 4,291,439 A 9/1981 Riti
- 5,131,180 A \* 7/1992 Ives ..... A01K 97/06 43/25.2
- 5,214,874 A \* 6/1993 Faulkner ..... A01K 87/00 43/54.1
- 5,438,791 A \* 8/1995 Sherrod ..... A01K 97/06 43/57.1
- 5,604,961 A 2/1997 Cole
- 5,617,668 A 4/1997 Shimandle
- 6,023,877 A \* 2/2000 Mueller ..... A01K 83/00 43/25

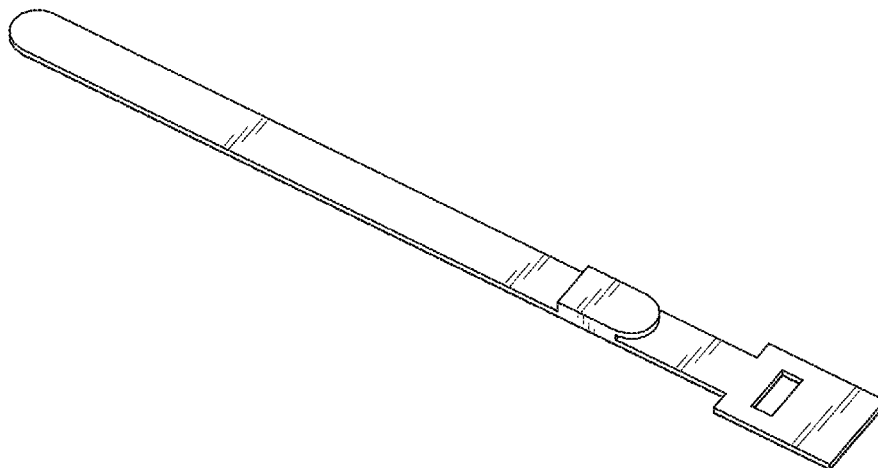
(57) **CLAIM**

The ornamental design for a fishing hook securing device, as shown and described.

**DESCRIPTION**

FIG. 1 is a top right perspective view of a fishing hook securing device showing my new design;  
 FIG. 2 is a top left perspective view thereof;  
 FIG. 3 is a bottom right perspective view thereof;  
 FIG. 4 is an enlarged front elevation view thereof;  
 FIG. 5 is an enlarged rear elevation view thereof;  
 FIG. 6 is a right elevation view thereof;  
 FIG. 7 is a left elevation view thereof;  
 FIG. 8 is a top plan view thereof; and,  
 FIG. 9 is a bottom plan view thereof.

**1 Claim, 9 Drawing Sheets**



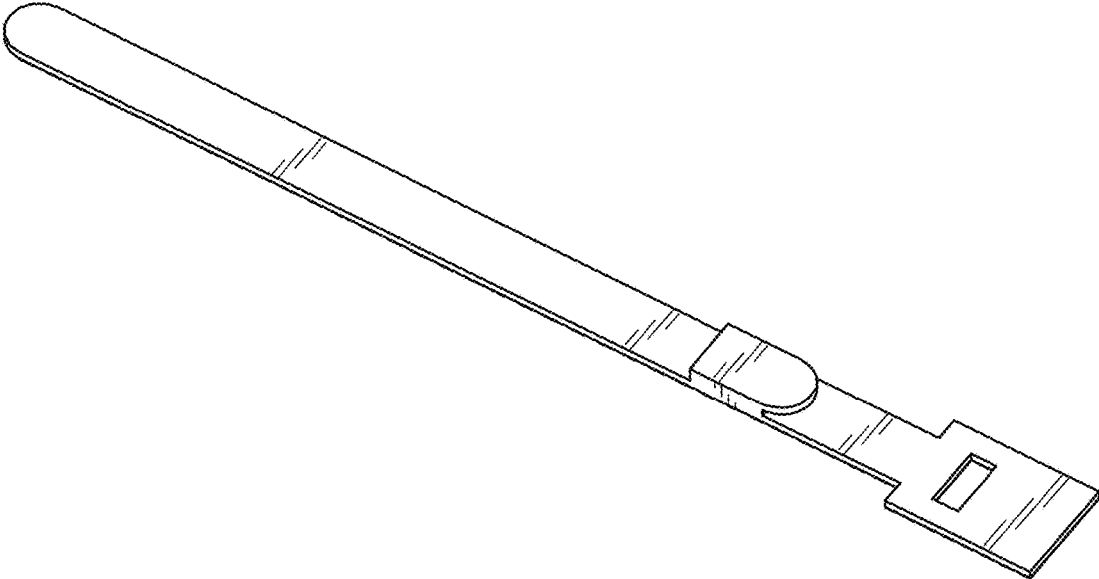


FIG. 1

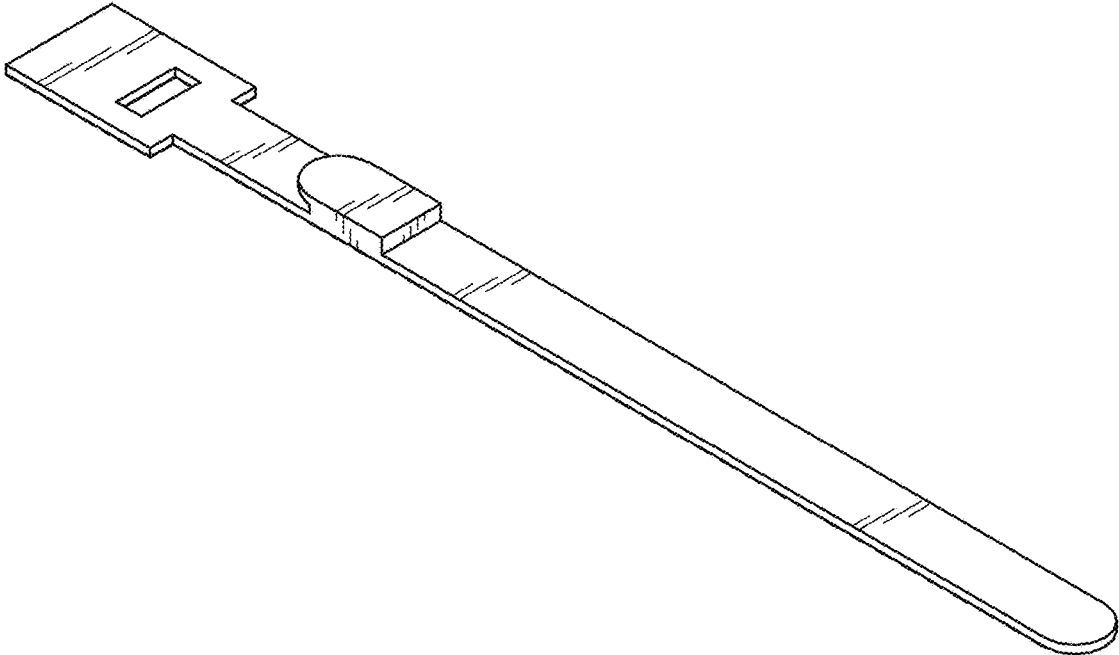


FIG. 2

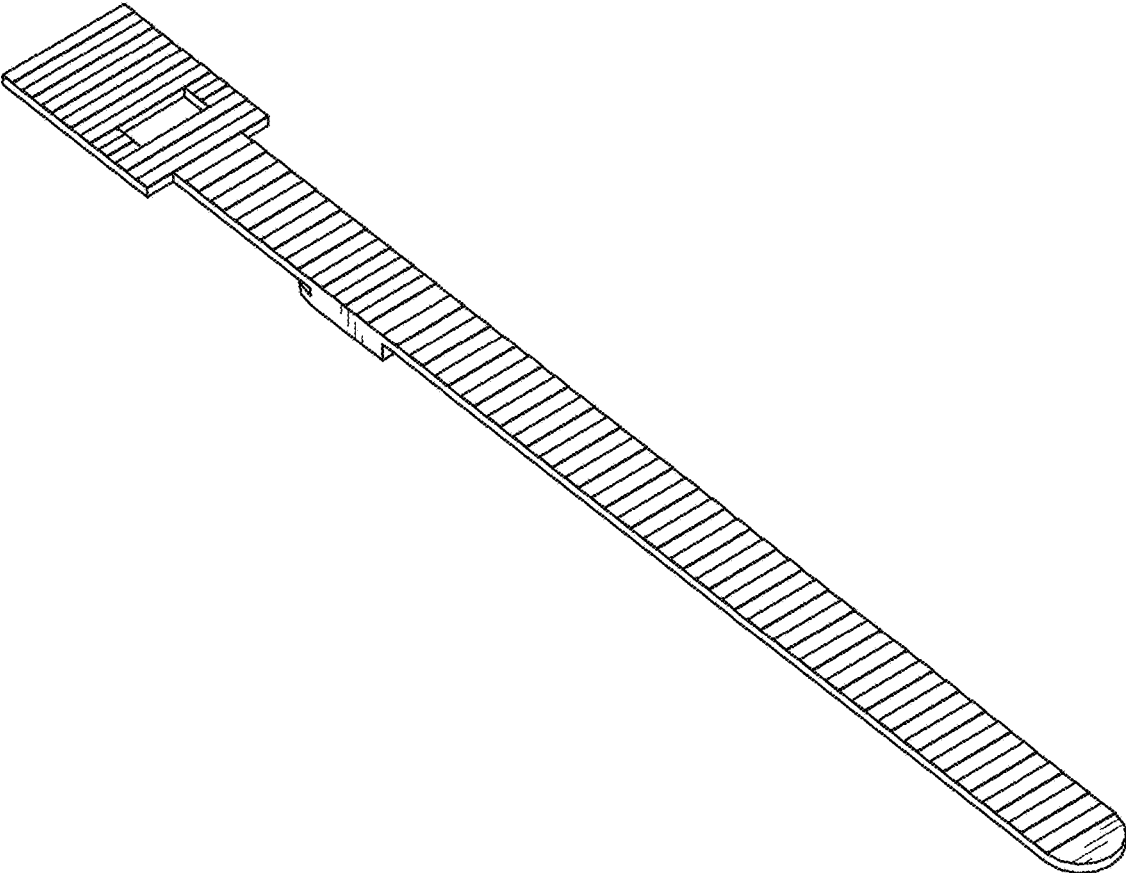


FIG. 3

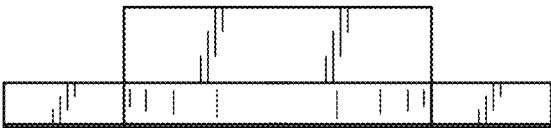


FIG. 4



FIG. 5



FIG. 6



FIG. 7



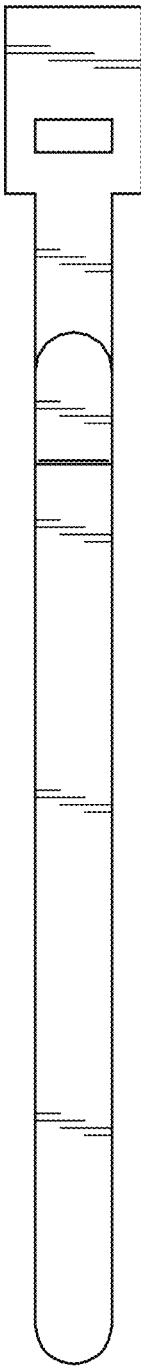


FIG. 8

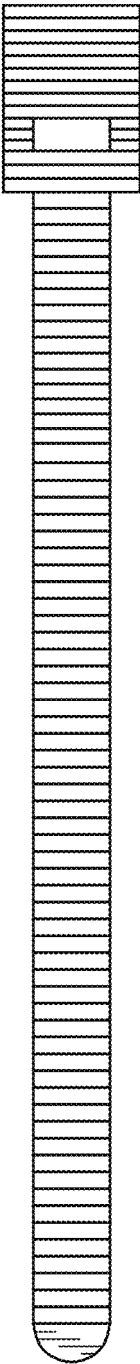


FIG. 9