



US00D803447S

(12) **United States Design Patent** (10) **Patent No.:** **US D803,447 S**
Green (45) **Date of Patent:** **** Nov. 21, 2017**

(54) **FLASHLIGHT**

(74) *Attorney, Agent, or Firm* — Greenberg Traurig, LLP

(71) Applicant: **HOME DEPOT PRODUCT AUTHORITY, LLC**, Atlanta, GA (US)

(57) **CLAIM**

I claim the ornamental design for a flashlight, as shown and described.

(72) Inventor: **Adam Green**, Atlanta, GA (US)

(73) Assignee: **Home Depot Product Authority, LLC**, Atlanta, GA (US)

DESCRIPTION

(**) Term: **15 Years**

FIG. 1 is a perspective view of a first embodiment of my flashlight;

(21) Appl. No.: **29/564,348**

FIG. 2 is a front view thereof;

(22) Filed: **May 12, 2016**

FIG. 3 is a right view thereof;

Related U.S. Application Data

(62) Division of application No. 29/500,257, filed on Aug. 22, 2014, now Pat. No. Des. 757,319.

FIG. 4 is a left side view thereof;

(51) **LOC (10) Cl.** **26-02**

FIG. 5 is a back side view thereof;

(52) **U.S. Cl.**

FIG. 6 is a top view thereof;

USPC **D26/49**

FIG. 7 is a bottom view thereof;

(58) **Field of Classification Search**

USPC D26/37–51, 56–60, 67; 362/103–105, 362/184, 194–196, 202–206; D22/117
(Continued)

FIG. 8 is a perspective view of a second embodiment of my flashlight;

(56) **References Cited**

References Cited

U.S. PATENT DOCUMENTS

5,586,819 A * 12/1996 Bamber F21L 4/005
362/158
D512,525 S * 12/2005 Yang D26/49
(Continued)

FIG. 9 is a front view thereof;

FIG. 10 is a back view thereof;

FIG. 11 is a right side view thereof;

FIG. 12 is a left side view thereof;

FIG. 13 is a top view thereof;

FIG. 14 is a bottom view thereof;

FIG. 15 is a perspective view of a third embodiment of my flashlight;

FIG. 16 is a front view thereof;

FIG. 17 is a rear view thereof;

FIG. 18 is a left side view thereof;

FIG. 19 is a right side view thereof;

FIG. 20 is a top view thereof; and,

FIG. 21 is a bottom view thereof.

OTHER PUBLICATIONS

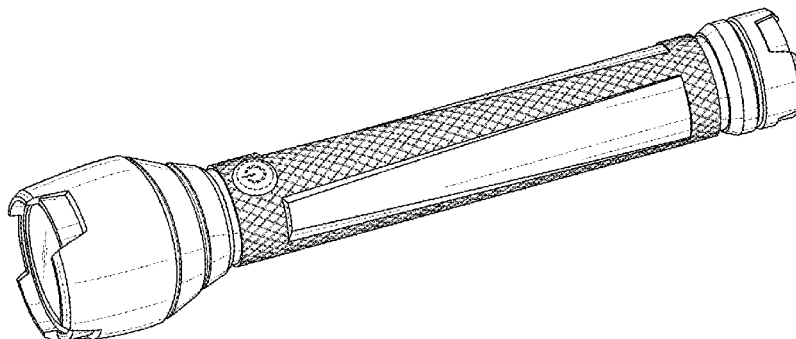
Images of Rayovac Indestructible 2 AA Flashlight, DIY2AA-B, publicly available prior to Aug. 22, 2014.

(Continued)

The oblique lines on the lenses of my designs (as visible in FIGS. 1, 6, 8, 13, 15, and 20) indicate that they are at least translucent and may be transparent. The dashed lines in the figures are for illustrative purposes only and form no part of the claimed design. All other surface(s) or portion(s) of my designs not shown in the figures or otherwise described in the specification, such as the locations behind the lenses, form no part of the claimed design.

Primary Examiner — Sandra Morris

1 Claim, 12 Drawing Sheets



(58) **Field of Classification Search**

CPC ... F21L 4/00; F21L 4/005; F21L 4/022; F21L 4/025; F21L 4/027; F21L 7/00; F21L 19/00; F21V 21/084; F21V 21/0085; F21W 2111/10

See application file for complete search history.

D640,400 S	6/2011	Huang	
D656,261 S	3/2012	Lee	
D659,270 S	5/2012	Nguyen et al.	
D659,272 S	5/2012	Nguyen et al.	
D671,249 S	11/2012	Sheikh et al.	
D683,877 S *	6/2013	Brands	D26/49
D692,169 S *	10/2013	Kamm	D26/49
D710,526 S	8/2014	Lee	

(56) **References Cited**

U.S. PATENT DOCUMENTS

7,258,582 B2 *	8/2007	Maglica	F21L 4/005
				362/202
D551,366 S *	9/2007	Galli	D26/37
D557,836 S *	12/2007	Shiu	D26/37
D565,769 S	4/2008	Shiu		
D576,757 S *	9/2008	Hesse	D26/49
D601,285 S *	9/2009	Chen	D26/49
D603,988 S *	11/2009	Sharrah	D26/49
D604,437 S	11/2009	Yang		
D608,033 S	1/2010	Hesse et al.		
D608,034 S	1/2010	Hesse et al.		
D629,544 S *	12/2010	Deguglimo	D26/49

OTHER PUBLICATIONS

Office Action received in Canadian Counterpart Application to related U.S. Appl. No. 29/564,339, dated Apr. 29, 2016 (1 page).
 Office Action received in Canadian Counterpart Application to related U.S. Appl. No. 29/564,343, dated Apr. 29, 2016 (4 pages).
 Office Action received in Canadian Counterpart Application to related U.S. Appl. No. 29/564,348, dated Apr. 29, 2016 (1 page).
 Office Action received in Canadian Counterpart Application to related U.S. Appl. No. 29/564,350, dated Apr. 29, 2016 (1 page).
 Office Action received in Canadian Counterpart Application to related U.S. Appl. No. 29/594,353, dated Apr. 29, 2016 (3 pages).

* cited by examiner

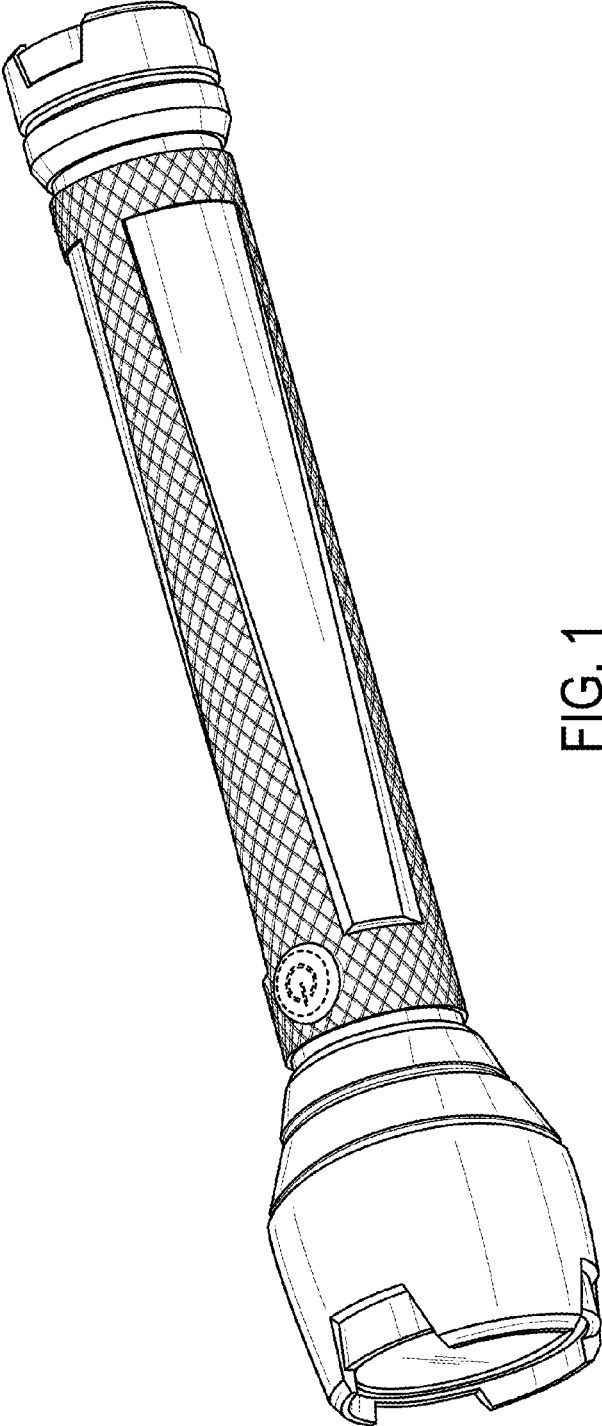


FIG. 1

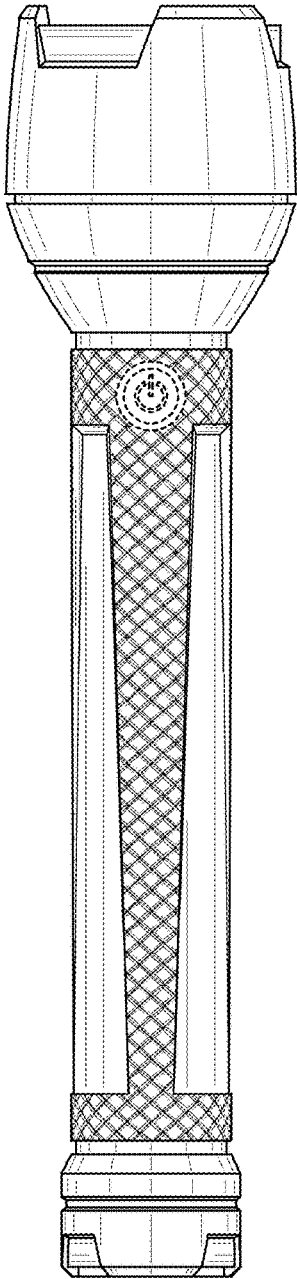


FIG. 2

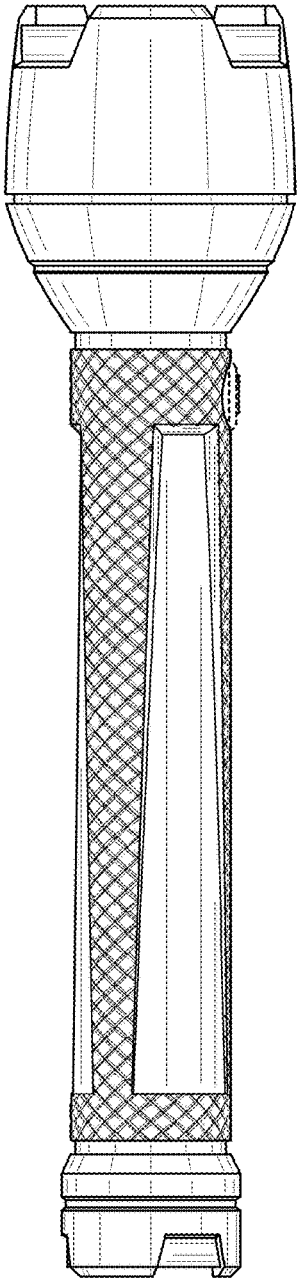


FIG. 3

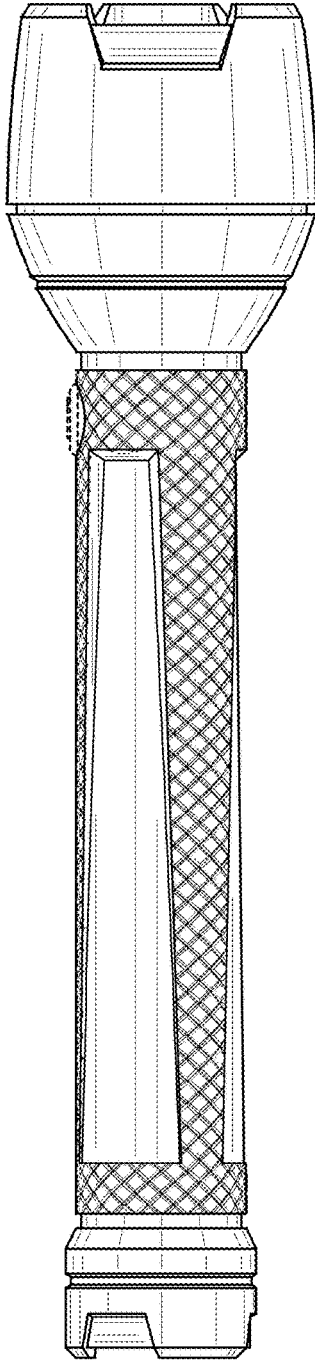


FIG. 4

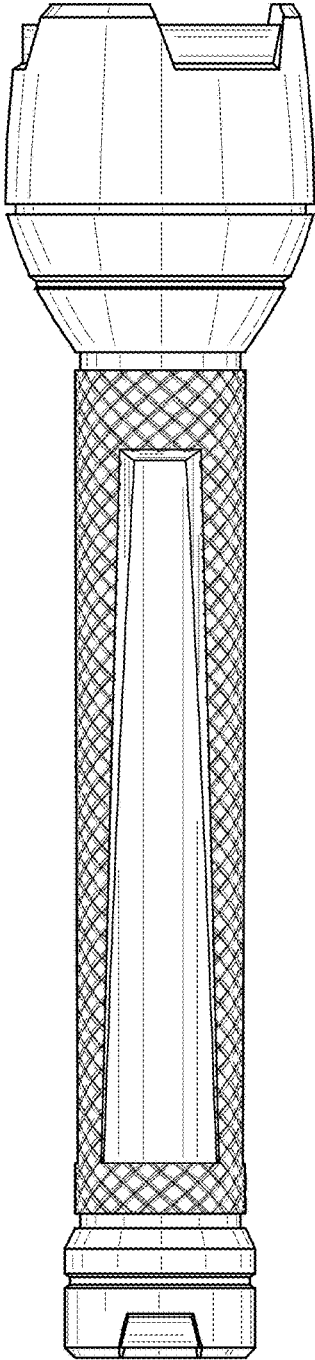


FIG. 5

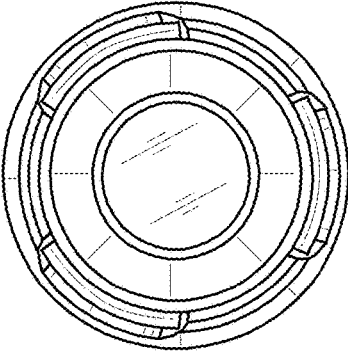


FIG. 6

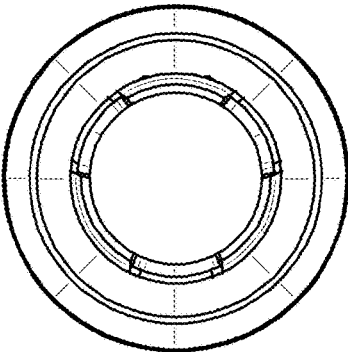


FIG. 7

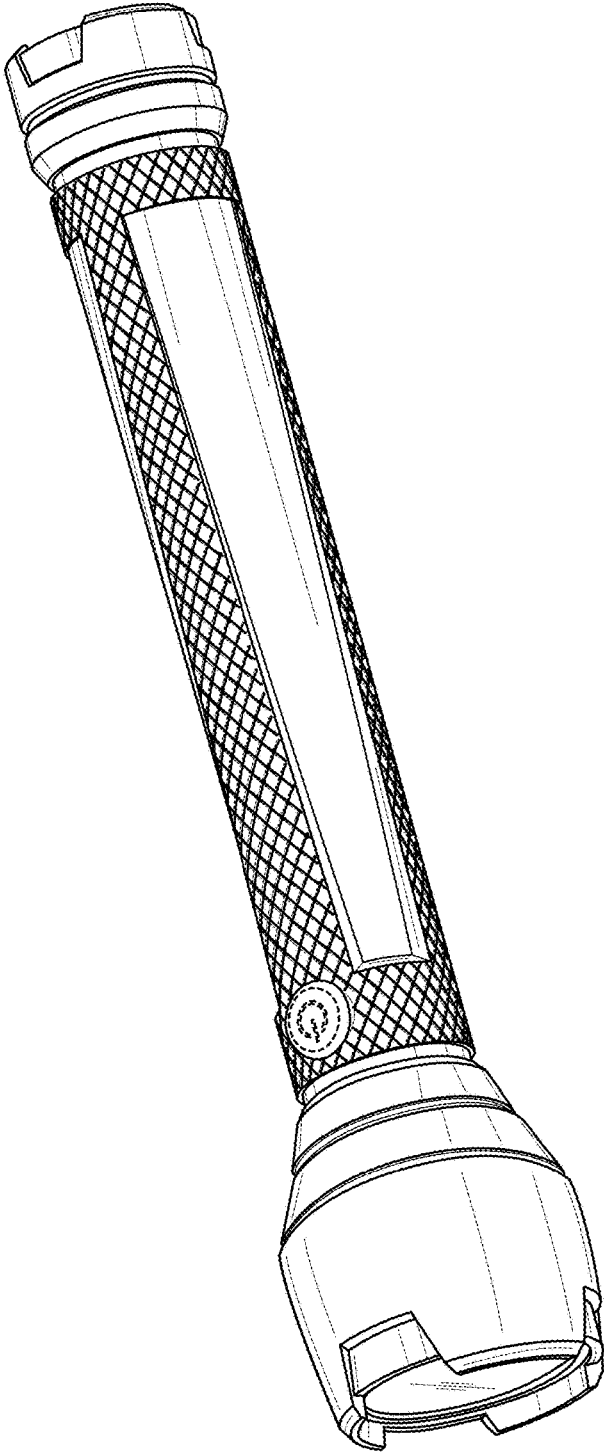


FIG. 8

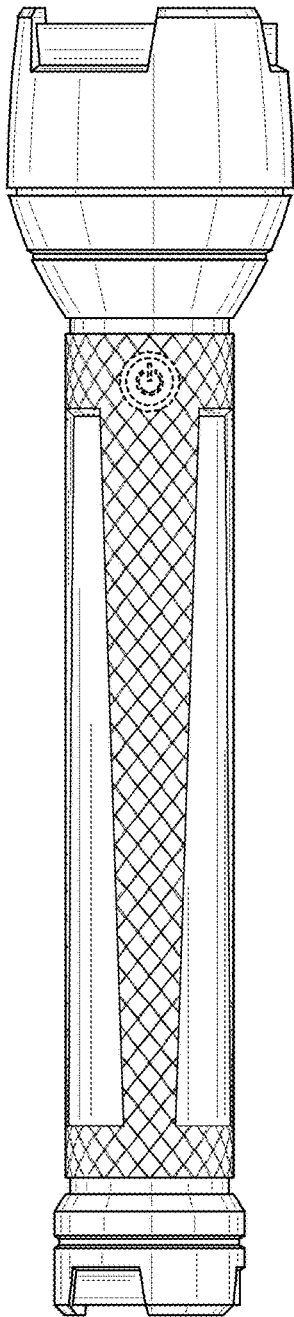


FIG. 9

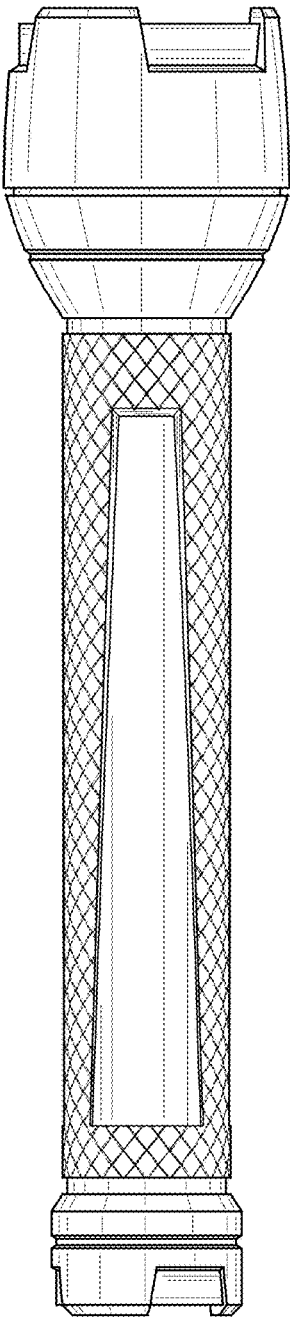


FIG. 10

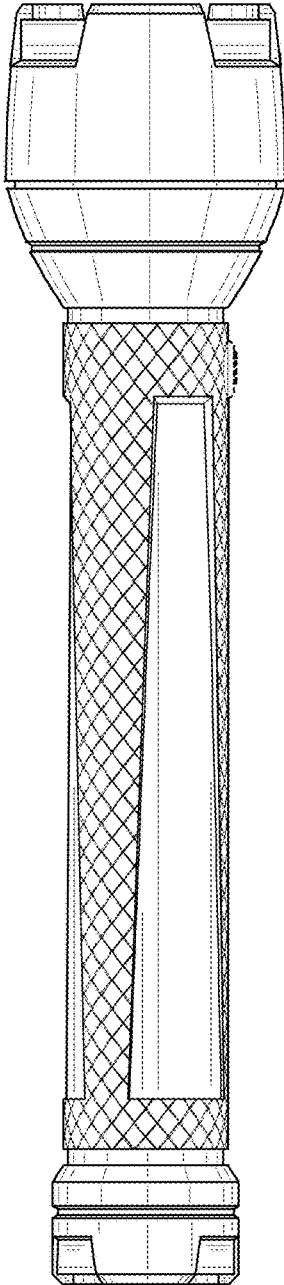


FIG. 11

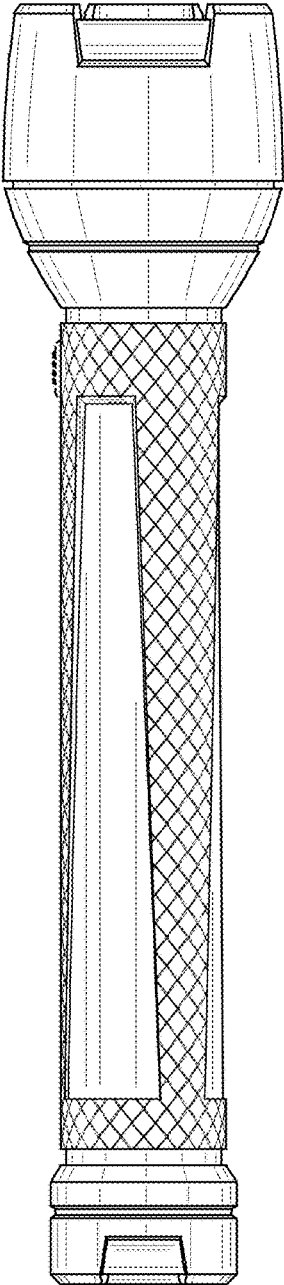


FIG. 12

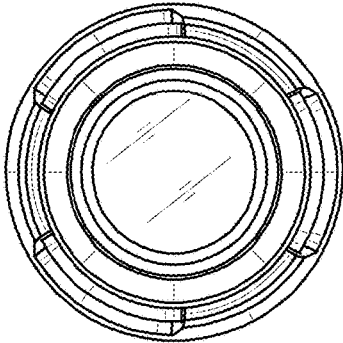


FIG. 13

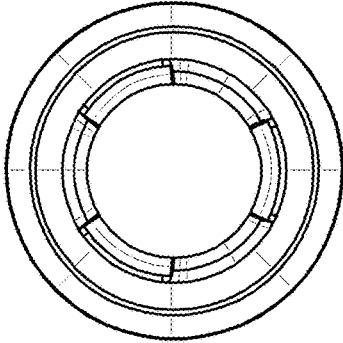


FIG. 14

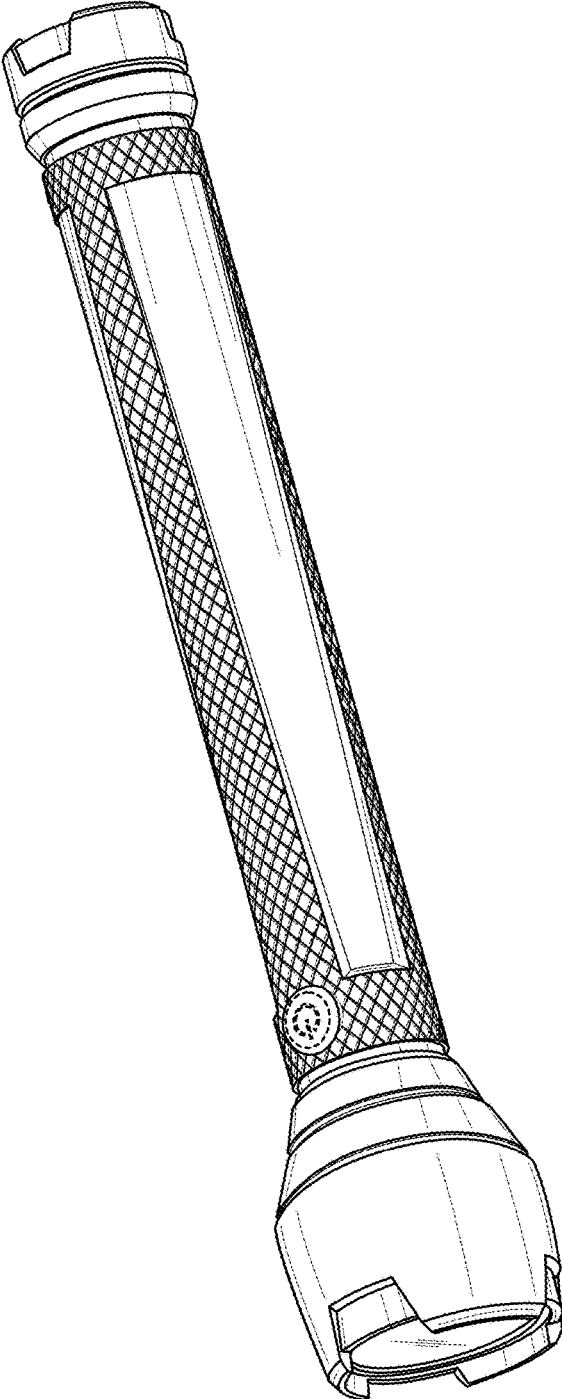


FIG. 15

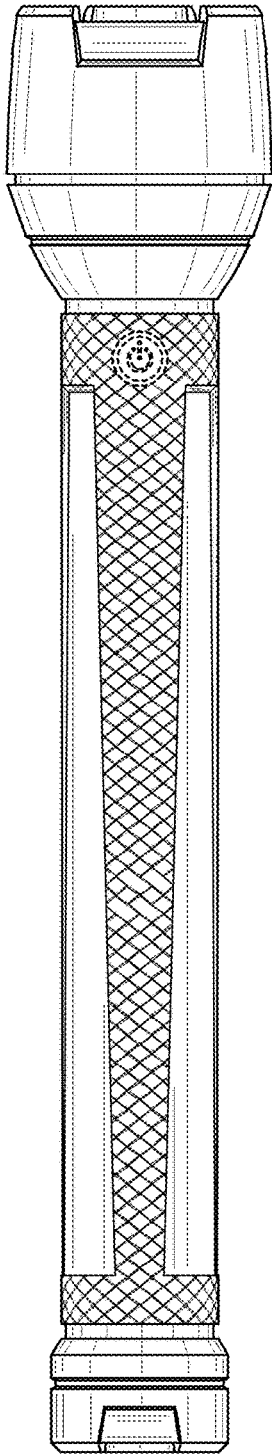


FIG. 16

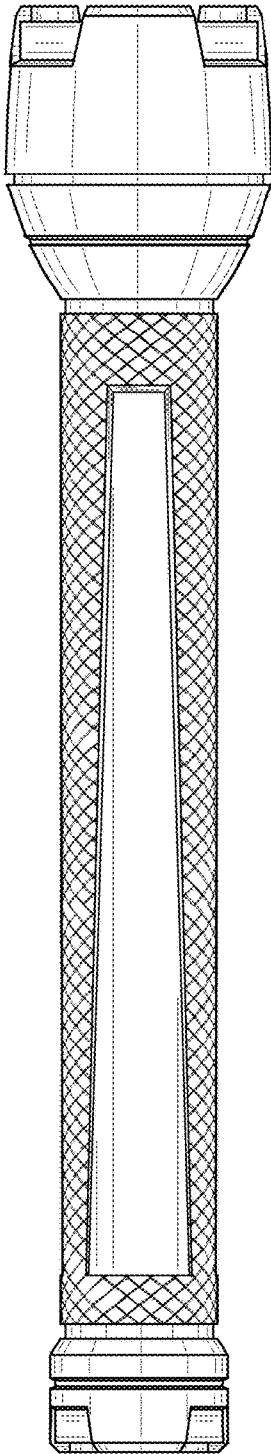


FIG. 17

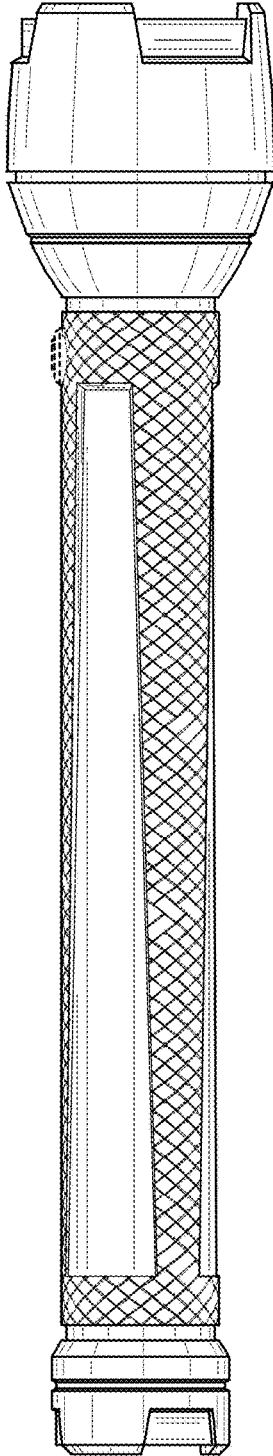


FIG. 18

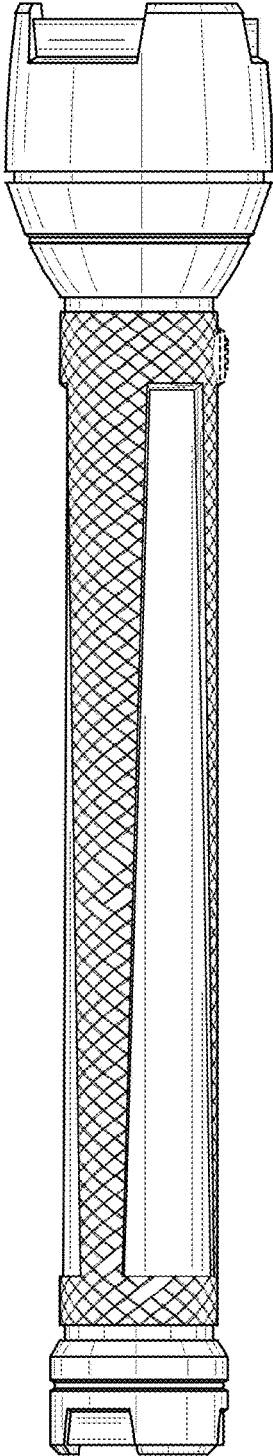


FIG. 19

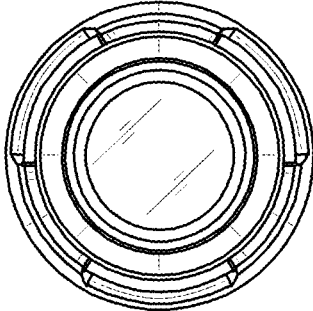


FIG. 20

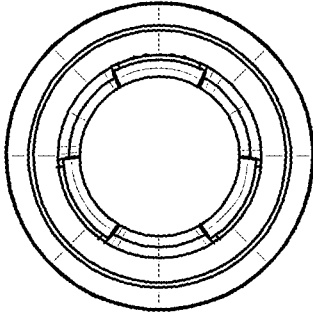


FIG. 21