



US0D1005890S

(12) **United States Design Patent**  
**Rampal**

(10) **Patent No.:** **US D1,005,890 S**

(45) **Date of Patent:** **\*\* Nov. 28, 2023**

(54) **COMBINED ARTICULATED FRAME WITH HOLES FOR A TWO-WHEELED VEHICLE**

(71) Applicant: **Apurv Rampal**, Bothell, WA (US)

(72) Inventor: **Apurv Rampal**, Bothell, WA (US)

(\*\*) Term: **15 Years**

(21) Appl. No.: **29/824,895**

(22) Filed: **Jan. 27, 2022**

(51) **LOC (14) Cl.** ..... **12-11**

(52) **U.S. Cl.** ..... **D12/110; D12/111**

USPC ..... **D12/110; D12/111**

(58) **Field of Classification Search**

USPC ..... D12/107, 110, 111, 114, 117, 126, 159;  
D21/419, 423, 427, 432, 663, 664, 666,  
D21/667

CPC . B62K 3/00; B62K 3/005; B62K 3/02; B62K  
3/04; B62K 11/00; B62K 11/02; B62K  
11/14; B62K 19/00; B62K 19/02; B62K  
19/08; B62K 19/12; B62K 21/12; B62K  
21/16; B62K 25/00; B62K 25/04

See application file for complete search history.

(56) **References Cited**

**U.S. PATENT DOCUMENTS**

4,139,072	A *	2/1979	Dawson	.....	B60K 15/063 180/312
4,746,136	A *	5/1988	Kirk	.....	B62K 19/22 280/281.1
4,921,267	A *	5/1990	Kirk	.....	B62K 3/04 280/281.1
5,072,961	A *	12/1991	Huppe	.....	B62K 17/00 280/288.4
D357,437	S *	4/1995	Kuba	.....	D12/111
D372,212	S *	7/1996	Dietz	.....	D12/111
D442,120	S *	5/2001	Yeh	.....	D12/111
D517,953	S *	3/2006	Mirsky	.....	D12/110
D538,713	S *	3/2007	Brodsky	.....	D12/110
D735,813	S *	8/2015	Delgatty	.....	D21/423

D741,221	S *	10/2015	Haller	.....	D12/11
D774,979	S *	12/2016	Delgatty	.....	D21/423
9,873,476	B2 *	1/2018	Etzelsberger	.....	B62H 1/12
D831,543	S *	10/2018	Cargo	.....	D12/111
D832,150	S *	10/2018	Etzelsberger	.....	D21/423
10,351,200	B2 *	7/2019	Moore	.....	B62K 19/08
10,654,541	B2 *	5/2020	Etzelsberger	.....	B62K 15/006
D964,217	S *	9/2022	Renger	.....	D12/110
2003/0189308	A1 *	10/2003	Wegzyn	.....	B62K 19/16 280/281.1

(Continued)

**OTHER PUBLICATIONS**

Electric Bike Frame—Stealth Bomber Electric Bike, The Ebike Motor Webpage [online], [Site Visit May 25, 2023], URL: <https://www.theebikemotor.com/product/electric-bike-frame-bicycle-frame-adjustable-dropout-for-stealth-bomber-electric-bike/> (Year: 2023).\*

(Continued)

*Primary Examiner* — Calvin E Vansant

*Assistant Examiner* — Giang Hoang Tran

(74) *Attorney, Agent, or Firm* — TBillick Law PLLC

(57) **CLAIM**

The ornamental design for a combined articulated frame with holes for a two-wheeled vehicle, as shown and described.

**DESCRIPTION**

FIG. 1 is a front/right side perspective view of a combined articulated frame with holes for a two-wheeled vehicle showing my new design;

FIG. 2 is a rear/left side perspective view thereof;

FIG. 3 is a front elevation view thereof;

FIG. 4 is a rear elevation view thereof;

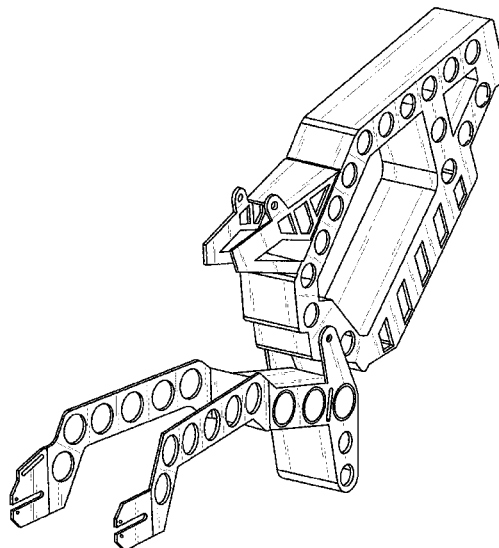
FIG. 5 is a left side elevation view thereof;

FIG. 6 is a right side elevation view thereof;

FIG. 7 is a top plan view thereof; and,

FIG. 8 is a bottom plan view thereof.

**1 Claim, 8 Drawing Sheets**



(56)

**References Cited**

U.S. PATENT DOCUMENTS

2006/0163837 A1\* 7/2006 Sutherland ..... B62K 19/08  
280/284  
2007/0222178 A1\* 9/2007 Davis ..... B62K 19/16  
280/281.1  
2012/0013101 A1\* 1/2012 Huang ..... B62K 3/04  
280/287  
2012/0235379 A1\* 9/2012 Trimble ..... B62K 25/286  
280/285  
2014/0225348 A1\* 8/2014 Wu ..... B62K 15/008  
280/278

OTHER PUBLICATIONS

Bike Frame Steel for Electric Bike, Elite Training and Wellness Webpage [online], [Site Visit May 25, 2023], URL: <https://www.elitetrainingandwellness.ca/ks/bike-frame-steel-for-stealth-bomber-electric-bike-theebikemotor-9426564.html> (Year: 2023).\*

Stealth Bomber Electric Mountain Bike Ebike, The Ebike Motor Webpage [online], [Site Visit May 25, 2023], URL: <https://www.theebikemotorkit.com/products/72v8000w-26x4-0-wheel-stealth-bomber-electric-mountain-bike-ebike-beach-cruiser> (Year: 2023).\*

Electric Bike Concept, Mar. 12, 2021, Bikexif Webpage [online], [Site Visit May 25, 2023], URL: <https://www.bikeexif.com/electric-motorcycle-concept-walt-siegl> (Year: 2021).\*

\* cited by examiner

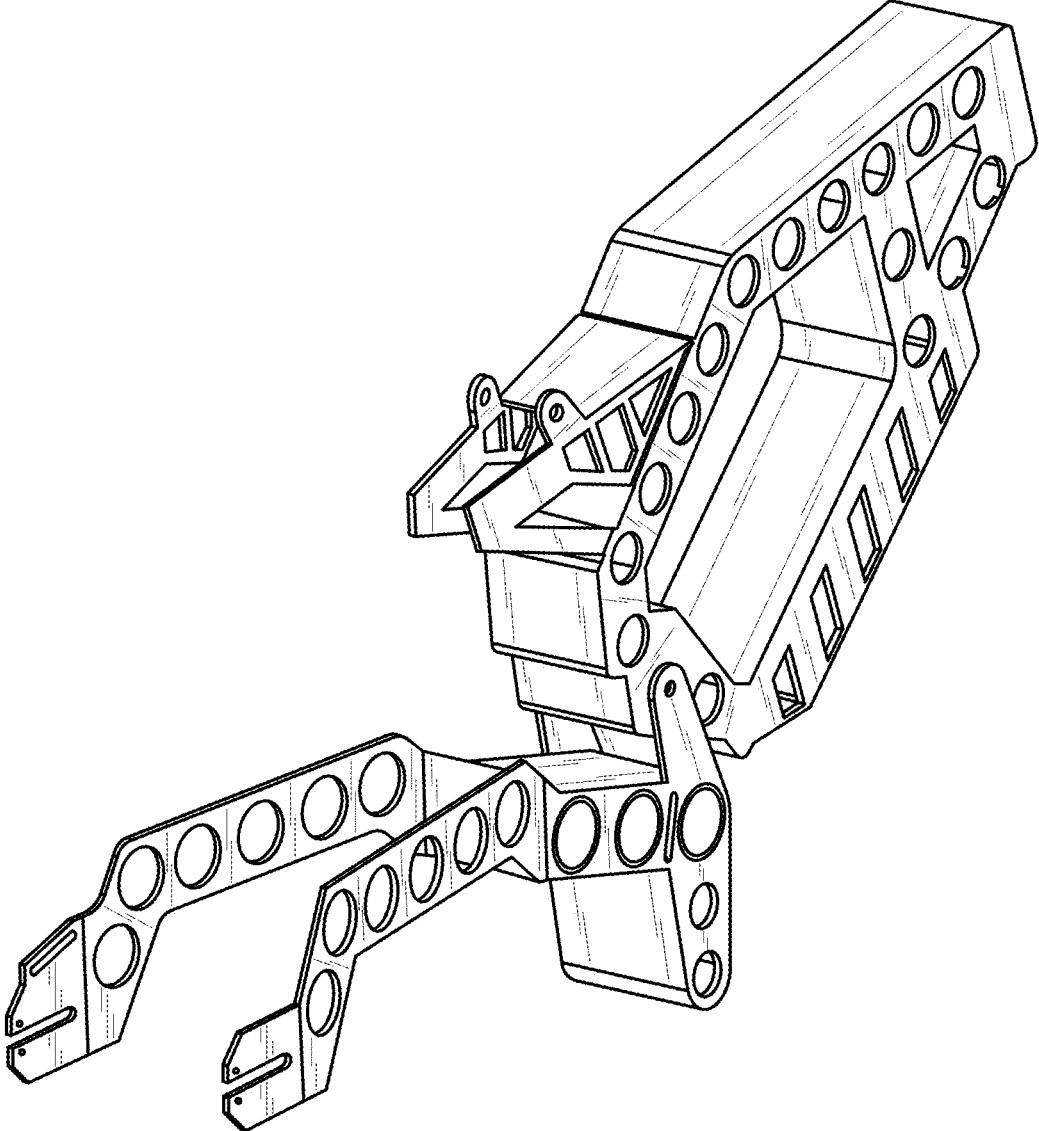


FIG. 1

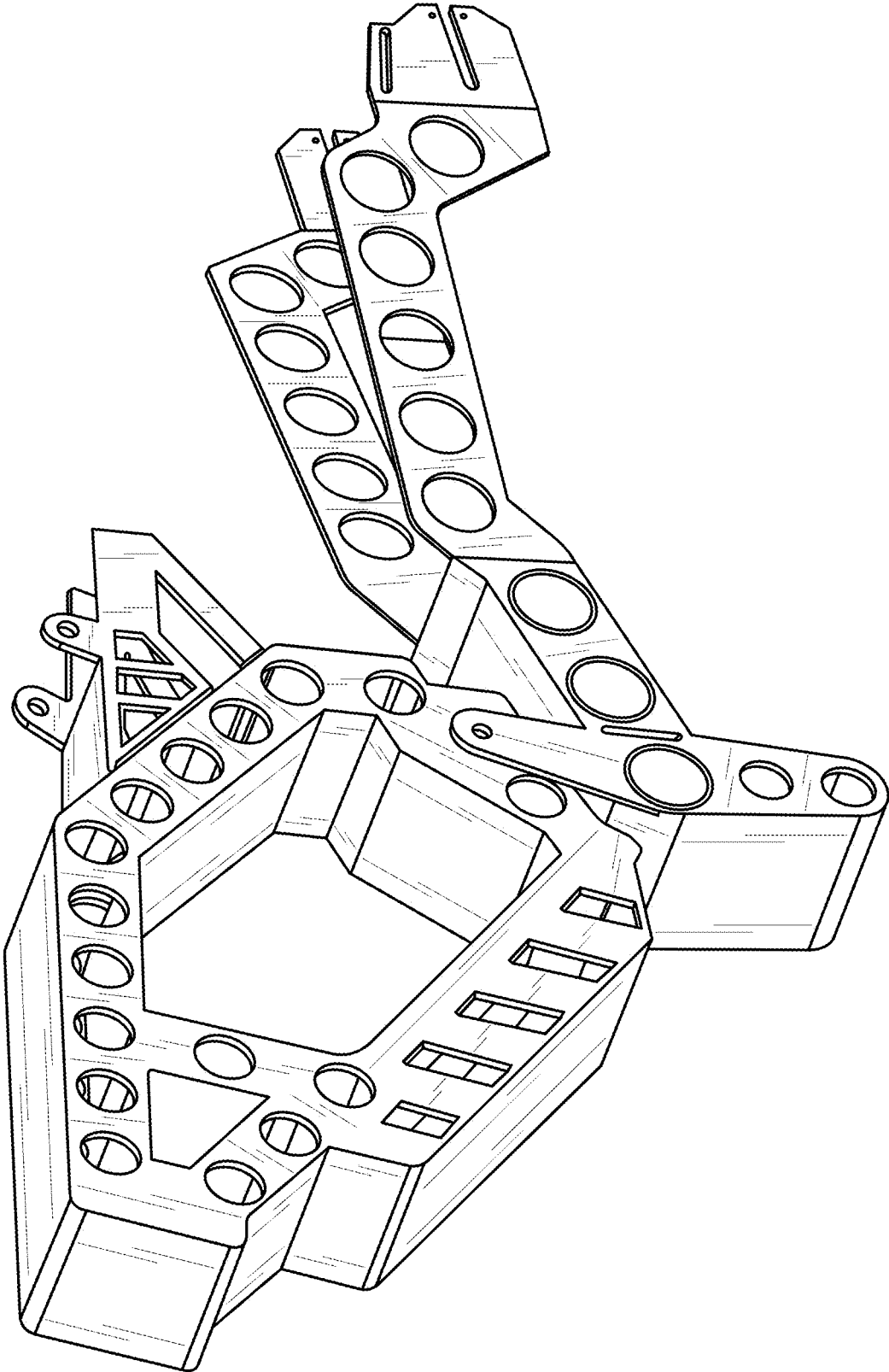


FIG. 2

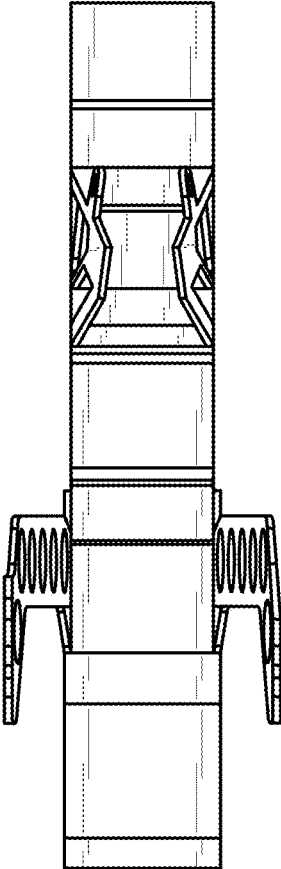


FIG. 3

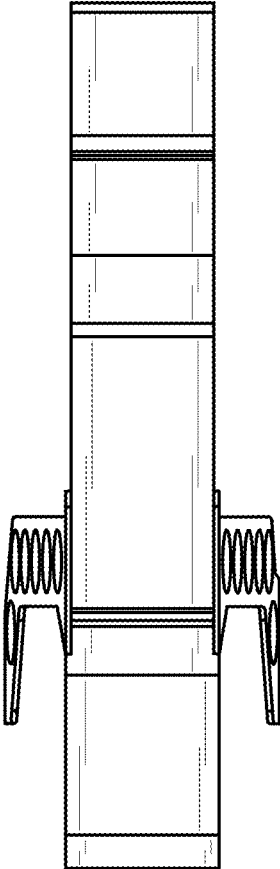


FIG. 4

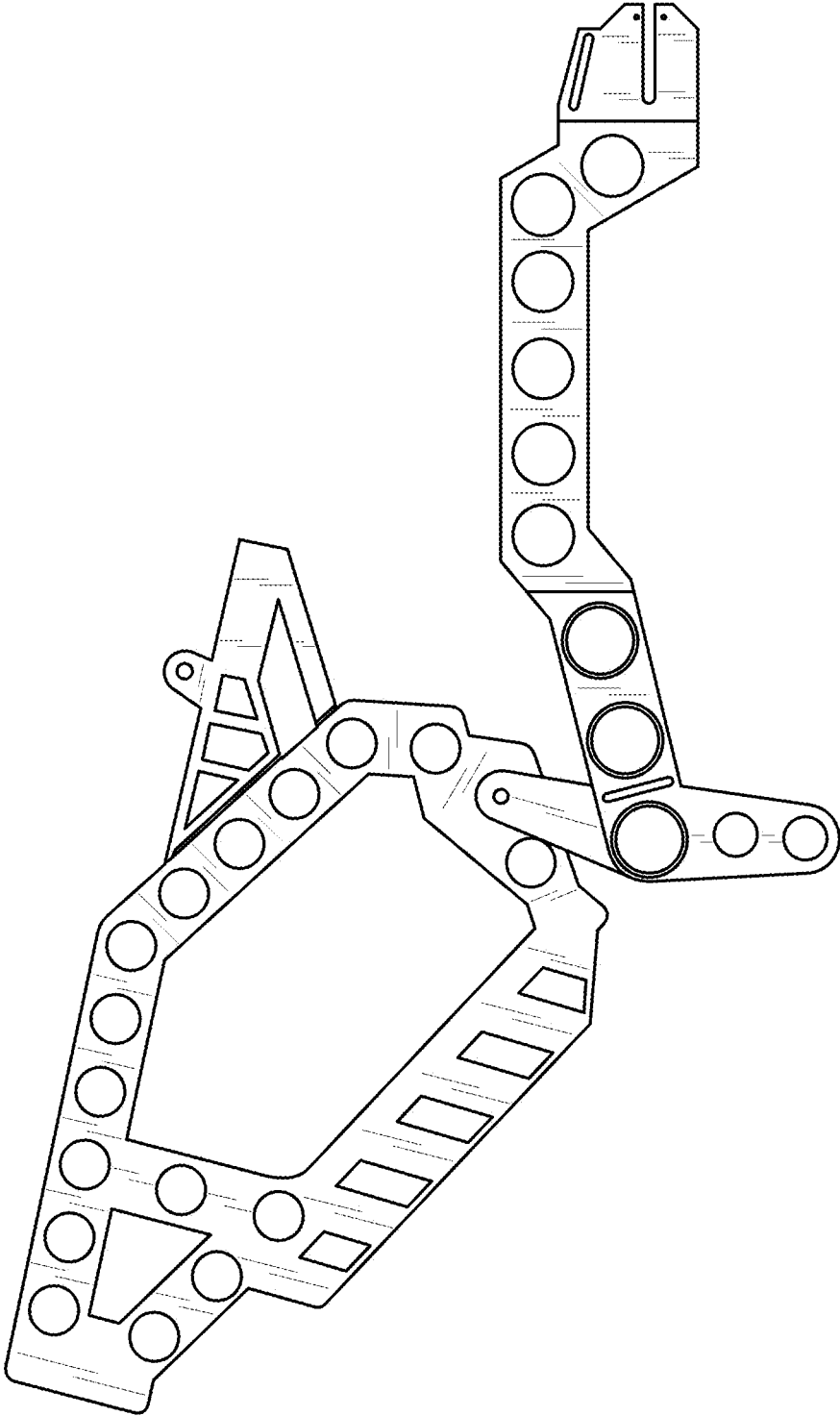


FIG. 5

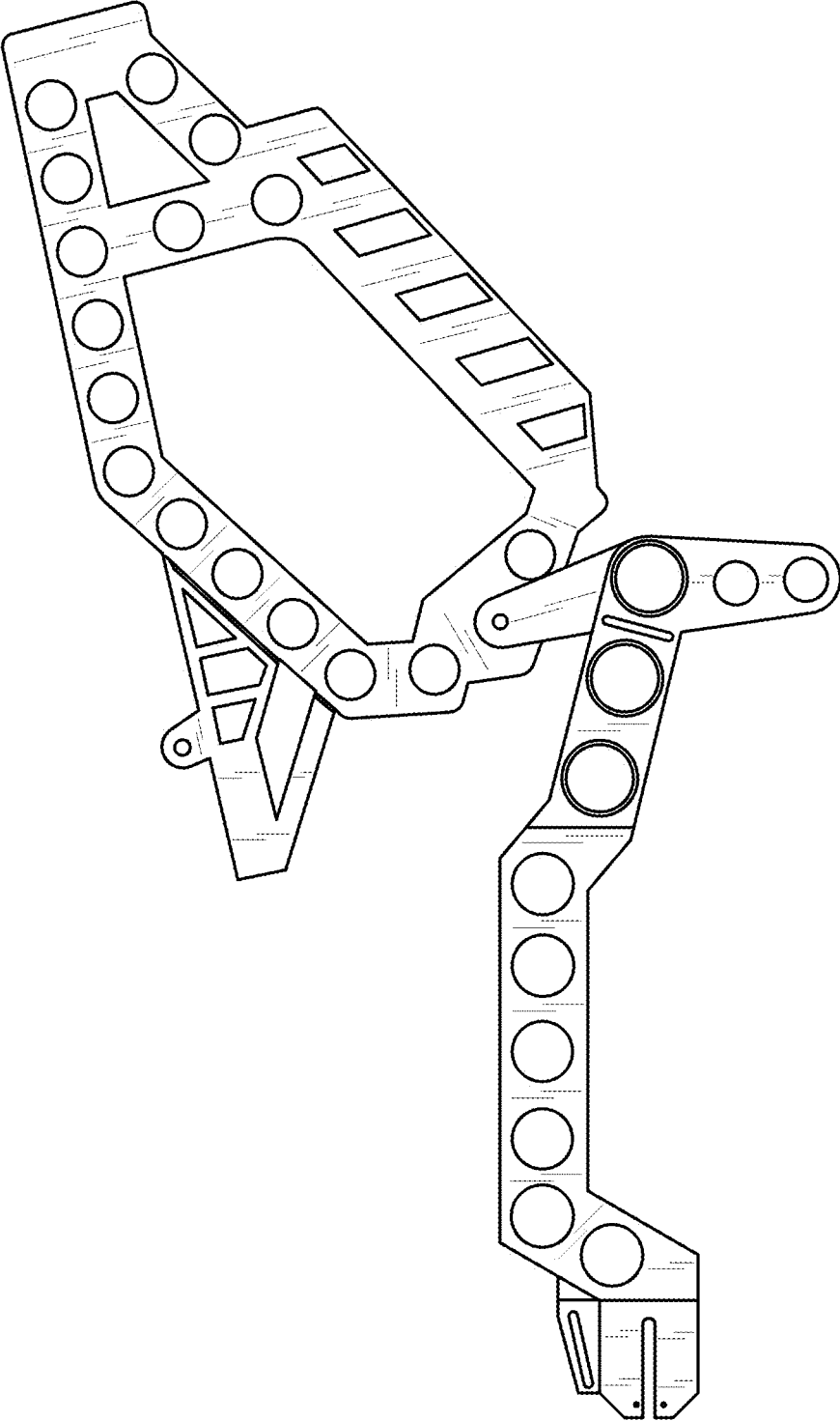


FIG. 6



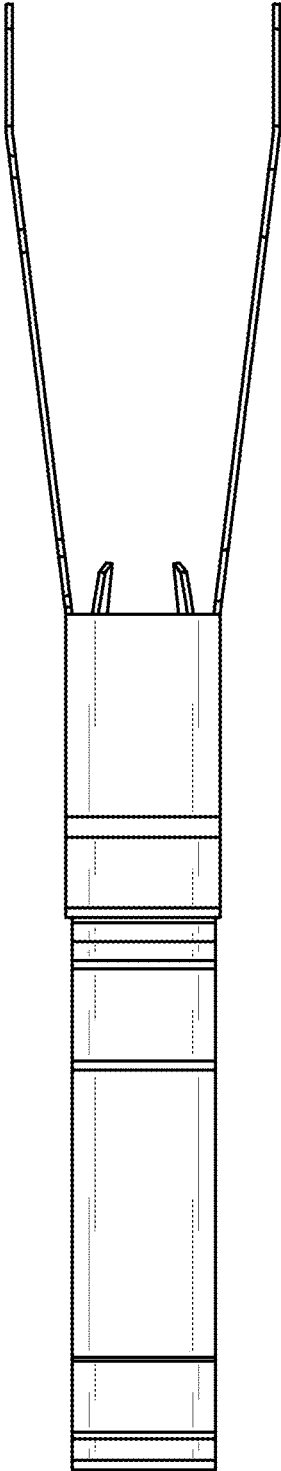


FIG. 7

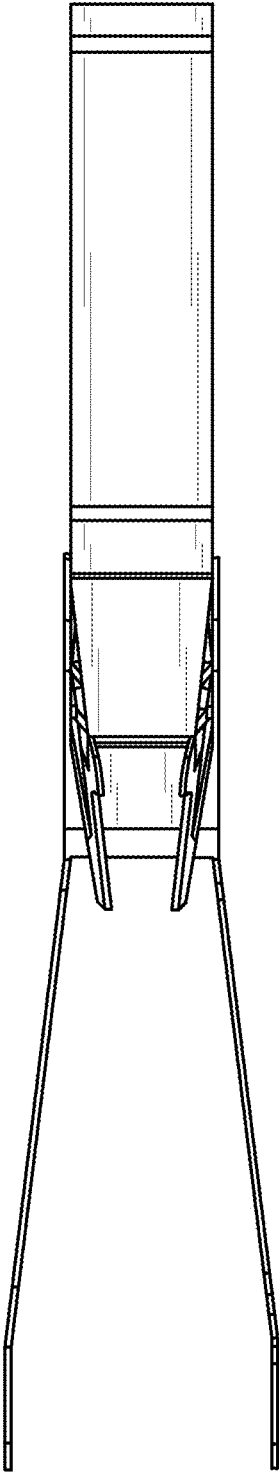


FIG. 8