



US00D664994S

(12) **United States Design Patent**  
**Akana et al.**

(10) **Patent No.:** **US D664,994 S**

(45) **Date of Patent:** **\*\* Aug. 7, 2012**

(54) **HOUSING FOR AN ELECTRONIC DEVICE**

455/344-347, 93, 95, 3.01-3.06, 550.1, 573.1;  
370/342-344; 369/1, 2, 6-12; 463/43-47;  
273/148 B

(75) Inventors: **Jody Akana**, San Francisco, CA (US);  
**Bartley K. Andre**, Menlo Park, CA (US);  
**Jeremy Bataillou**, San Francisco, CA (US);  
**Daniel J. Coster**, San Francisco, CA (US);  
**Daniele De Iullis**, San Francisco, CA (US);  
**Evans Hankey**, San Francisco, CA (US);  
**Richard P. Howarth**, San Francisco, CA (US);  
**Jonathan P. Ive**, San Francisco, CA (US);  
**Duncan Robert Kerr**, San Francisco, CA (US);  
**Stephen Brian Lynch**, Portola Valley, CA (US);  
**Shin Nishibori**, Kailua, HI (US);  
**Matthew Dean Rohrbach**, San Francisco, CA (US);  
**Peter Russell-Clarke**, San Francisco, CA (US);  
**Emery Artemus Sanford**, San Francisco, CA (US);  
**Christopher J. Stringer**, Woodside, CA (US);  
**Eugene Antony Whang**, San Francisco, CA (US);  
**Rico Zorkendorfer**, San Francisco, CA (US)

See application file for complete search history.

(56) **References Cited**

U.S. PATENT DOCUMENTS

4,359,220	A	11/1982	Morrison et al.	
D303,137	S	8/1989	Brown	
D306,519	S	3/1990	Nakata	
5,128,829	A *	7/1992	Loew	361/679.3
D339,806	S	9/1993	Grinkus	
D344,511	S	2/1994	Ansai et al.	
D345,304	S	3/1994	Leader	
6,122,526	A	9/2000	Parulski et al.	
D432,523	S	10/2000	Grinkus et al.	
D441,735	S	5/2001	Katayama	
D446,499	S	8/2001	Andre et al.	

(Continued)

*Primary Examiner* — Prabhakar Deshmukh  
(74) *Attorney, Agent, or Firm* — Sterne, Kessler, Goldstein & Fox PLLC

(73) Assignee: **Apple Inc.**, Cupertino, CA (US)

(\*\*) Term: **14 Years**

(21) Appl. No.: **29/411,551**

(22) Filed: **Jan. 23, 2012**

**Related U.S. Application Data**

(63) Continuation of application No. 29/368,830, filed on Aug. 30, 2010, now Pat. No. Des. 653,675, which is a continuation of application No. 29/367,996, filed on Aug. 16, 2010, now Pat. No. Des. 638,030.

(51) **LOC (9) Cl.** ..... **14-03**

(52) **U.S. Cl.** ..... **D14/496; D14/203.3**

(58) **Field of Classification Search** ..... D14/496, D14/401, 435, 474, 483, 217, 137, 138, 160, D14/168, 356, 203.1-203.8, 507; 345/156, 345/169, 173-179, 905; 715/727-729, 864; 710/1, 5, 8; 713/1, 600; 455/1.1, 1.7, 73,

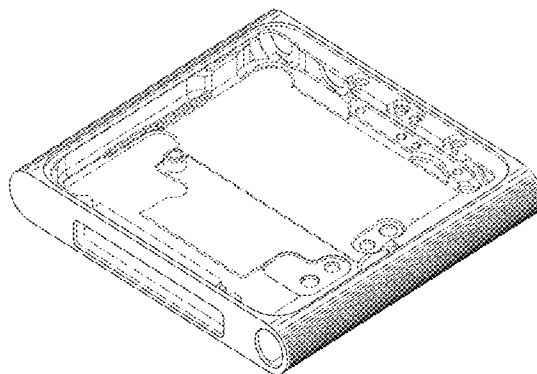
(57) **CLAIM**

The ornamental design for a housing for an electronic device, as shown and described.

**DESCRIPTION**

FIG. 1 is a front bottom perspective view of a housing for an electronic device showing our new design;  
FIG. 2 is a front view thereof;  
FIG. 3 is a rear view thereof;  
FIG. 4 is a bottom view thereof;  
FIG. 5 is a top view thereof;  
FIG. 6 is a side view thereof; and,  
FIG. 7 is a another side view thereof.  
The broken lines in the Figures show portions of the housing for an electronic device which form no part of the claimed design.  
The shade lines in the Figures show contour and not surface ornamentation.

**1 Claim, 5 Drawing Sheets**



US D664,994 S

U.S. PATENT DOCUMENTS

6,354,477 B1 *	3/2002	Trummer .....	224/575	D575,304 S	8/2008	Andre et al.	
D473,207 S	4/2003	Tanio		D577,990 S	10/2008	Andre et al.	
6,567,011 B1 *	5/2003	Young et al. ....	340/12.28	D579,952 S	11/2008	Yamada	
6,595,860 B1 *	7/2003	Yamamoto et al. ....	463/43	D580,953 S	11/2008	Andre et al.	
D478,076 S *	8/2003	Hong .....	D14/345	D585,077 S	1/2009	Sheba et al.	
D490,796 S	6/2004	Allen		D586,740 S	2/2009	Song	
D503,409 S	3/2005	Wong et al.		D586,741 S	2/2009	Song	
D506,476 S	6/2005	Andre et al.		D588,545 S	3/2009	Andre et al.	
D515,545 S	2/2006	Griffin		D589,530 S	3/2009	Andre et al.	
D516,579 S	3/2006	Nakamura		D590,826 S *	4/2009	Andre et al. ....	D14/341
7,013,164 B2	3/2006	Lin		D591,766 S	5/2009	Andre et al.	
D520,502 S	5/2006	Xu et al.		D592,677 S	5/2009	Sheba et al.	
D534,184 S	12/2006	Leija et al.		D593,994 S	6/2009	Andre et al.	
D534,545 S	1/2007	Leija et al.		D597,090 S	7/2009	Bemelmans	
D539,814 S	4/2007	Andre et al.		D597,558 S	8/2009	Andre et al.	
D551,680 S	9/2007	Andre et al.		D601,172 S	9/2009	Andre et al.	
D555,171 S *	11/2007	Dai .....	D14/496	D606,040 S	12/2009	Andre et al.	
D559,860 S	1/2008	Andre et al.		D608,342 S	1/2010	Andre et al.	
D559,861 S	1/2008	Andre et al.		D616,899 S	6/2010	Andre et al.	
D560,228 S	1/2008	Andre et al.		D618,206 S	6/2010	Andre et al.	
D563,434 S *	3/2008	Dai .....	D14/496	D618,207 S	6/2010	Andre et al.	
D568,310 S	5/2008	Franck et al.		D627,367 S	11/2010	Andre et al.	
D568,338 S	5/2008	Andre et al.		D629,789 S	12/2010	Andre et al.	
D569,389 S	5/2008	Andre et al.		D638,854 S	5/2011	Andre et al.	
D570,876 S	6/2008	Lee		D643,402 S	8/2011	Andre et al.	
D574,014 S	7/2008	Dai		2005/0049015 A1	3/2005	Wang	

\* cited by examiner

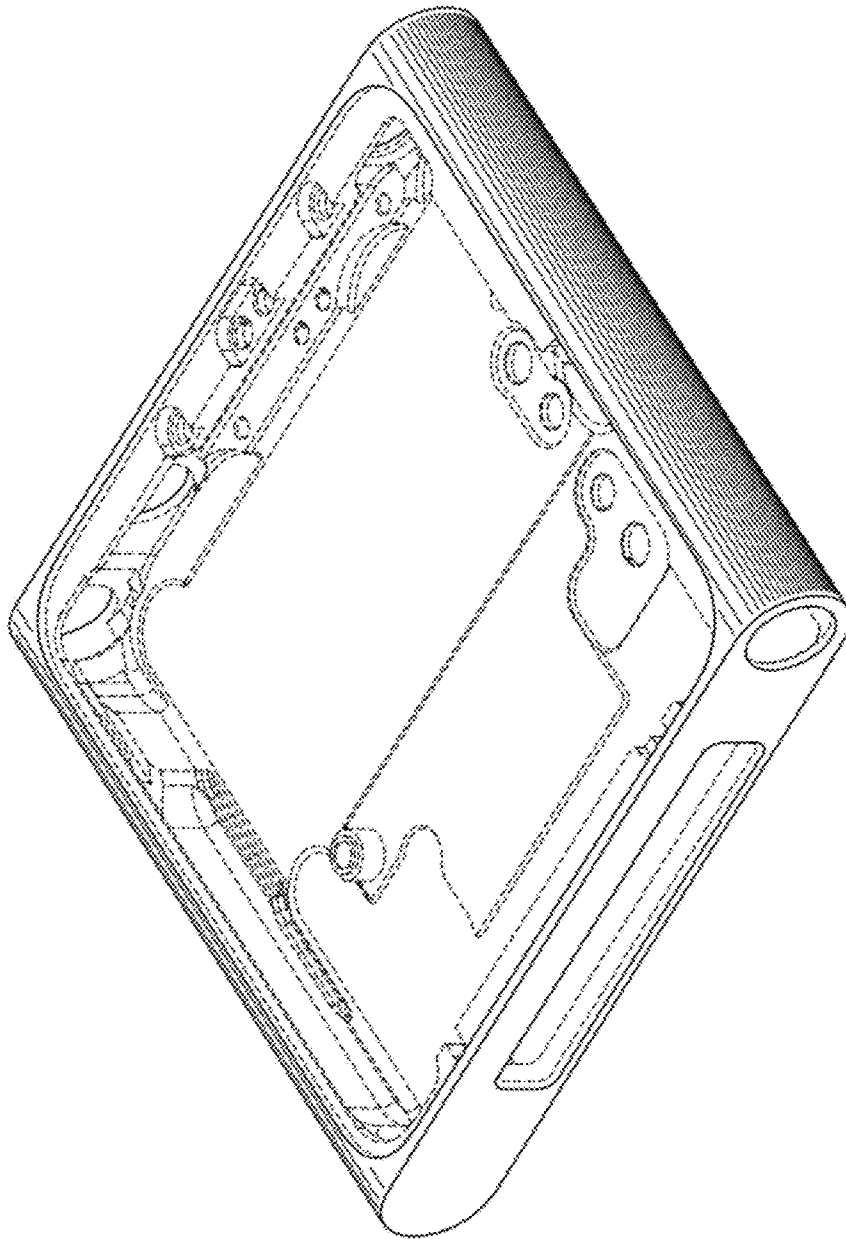


FIG. 1

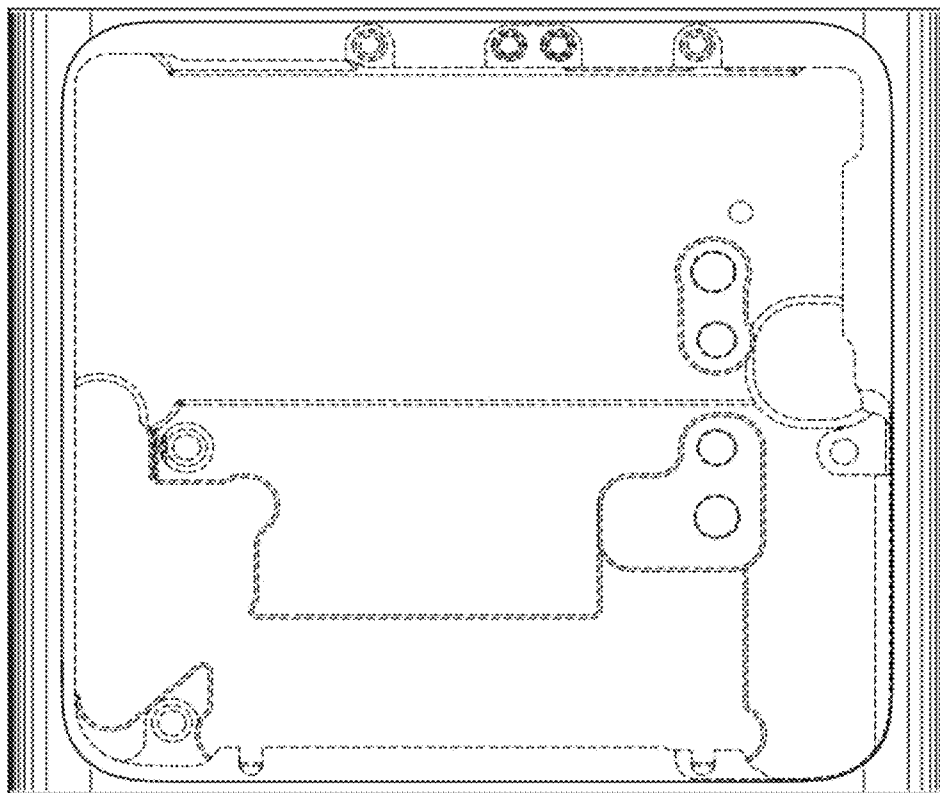


FIG. 2

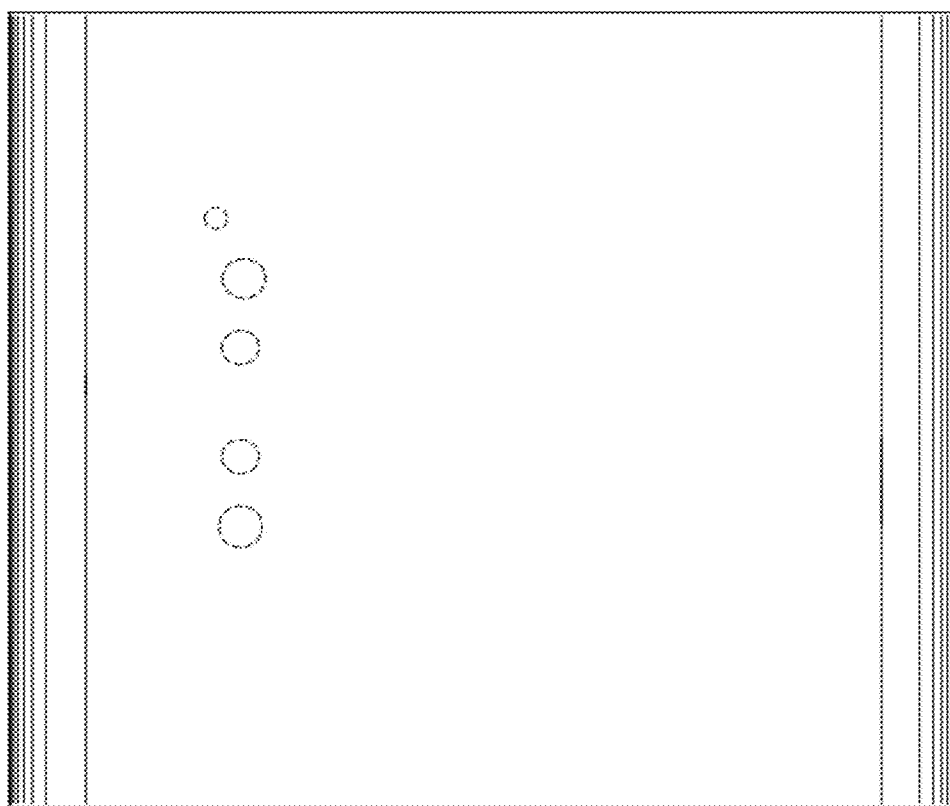


FIG. 3

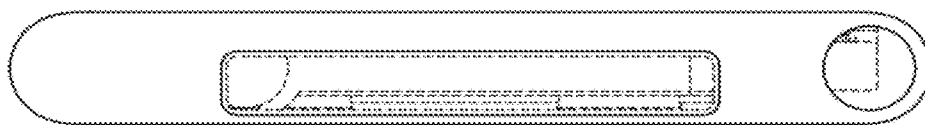
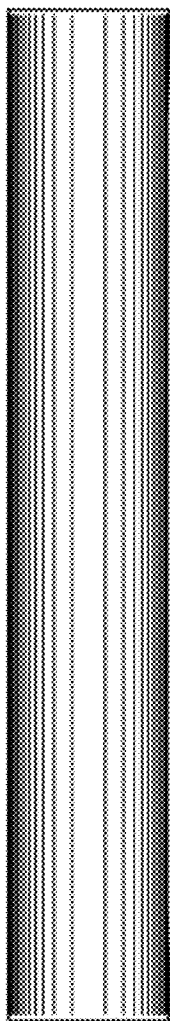


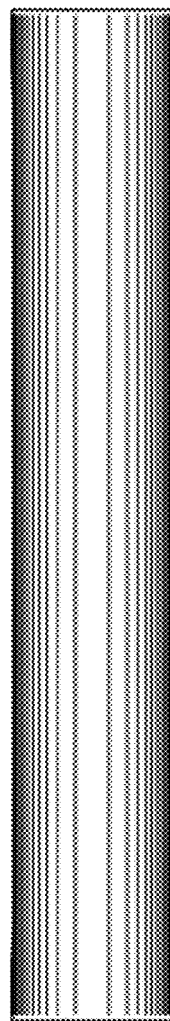
FIG. 4



FIG. 5



**FIG. 6**



**FIG. 7**