



US00D860085S

(12) **United States Design Patent** (10) **Patent No.:** **US D860,085 S**  
**Koo et al.** (45) **Date of Patent:** **\*\* Sep. 17, 2019**

(54) **VEHICLE MIRROR**  
(71) Applicant: **GM GLOBAL TECHNOLOGY OPERATIONS LLC**, Detroit, MI (US)  
(72) Inventors: **Jawook Koo**, Rochester Hills, MI (US); **Brian Malczewski**, Royal Oak, MI (US)  
(73) Assignee: **GM GLOBAL TECHNOLOGY OPERATIONS LLC**, Detroit, MI (US)  
(\*\*) Term: **15 Years**  
(21) Appl. No.: **29/605,915**  
(22) Filed: **May 31, 2017**  
(51) **LOC (12) Cl.** ..... **12-16**  
(52) **U.S. Cl.** ..... **D12/187**  
**USPC** ..... **D12/187**  
(58) **Field of Classification Search**  
**USPC** ..... D12/187, 188, 189, 92; D6/300, 309; D26/28  
**CPC** ..... B60R 1/074; B60R 1/076; B60R 1/078; B60R 1/08; B60R 1/081; B60R 1/082; B60R 1/006; B60R 1/008; B60R 1/02; B60R 1/10  
See application file for complete search history.

D605,083 S 12/2009 Manoogian, II et al.  
D605,977 S 12/2009 Zipfel et al.  
D605,978 S 12/2009 Wolff et al.  
D608,249 S 1/2010 Peters  
D608,690 S 1/2010 Folden et al.  
D608,691 S 1/2010 Zak, Jr. et al.  
D609,608 S 2/2010 Boniface et al.  
D611,387 S 3/2010 Thompson et al.  
D611,879 S 3/2010 Kim et al.  
D612,297 S 3/2010 Peters et al.  
D613,645 S 4/2010 Song et al.  
D615,458 S 5/2010 Thompson et al.  
D618,595 S 6/2010 Ware et al.  
D623,090 S 9/2010 Cox et al.  
D627,262 S 11/2010 Ikeda et al.  
D635,488 S 4/2011 Phipps  
D644,147 S 8/2011 Suh et al.  
D644,567 S 9/2011 Kozub  
D657,718 S 4/2012 Zipfel et al.  
D659,052 S 5/2012 Ware et al.  
D659,053 S 5/2012 Ware et al.  
D663,662 S \* 7/2012 Hamilton ..... D12/187  
D666,542 S \* 9/2012 Asano ..... D12/187

(Continued)

*Primary Examiner* — Susan E Krakower  
*Assistant Examiner* — Jerry Shiuuan-Hua Hsu

(57) **CLAIM**

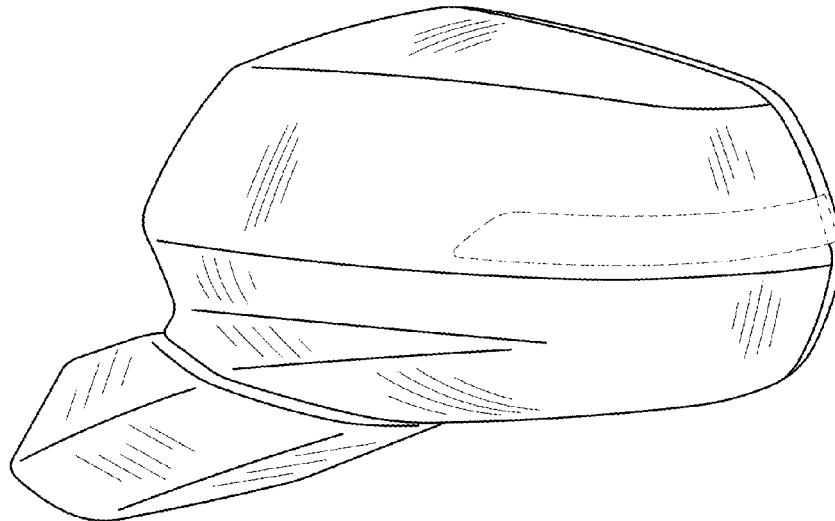
The ornamental design for a vehicle mirror, as shown and described.

**DESCRIPTION**

FIG. 1 is a front and left perspective view of the vehicle mirror according to the present disclosure. The mirror image of the vehicle mirror is claimed but not shown; FIG. 2 is a front elevation view thereof; FIG. 3 is a left end elevation view thereof; and, FIG. 4 is a rear elevation view thereof. The broken lines shown in the drawings depict portions of the vehicle mirror that form no part of the claimed design.

**1 Claim, 2 Drawing Sheets**

(56) **References Cited**  
**U.S. PATENT DOCUMENTS**  
D559,162 S \* 1/2008 Saridakis ..... D12/187  
D570,742 S 6/2008 Takagi et al.  
D592,105 S 5/2009 Dean et al.  
D597,447 S 8/2009 Folden  
D600,595 S 9/2009 Nakamura et al.  
D601,925 S 10/2009 O'Donnell  
D603,755 S 11/2009 Peters  
D604,203 S 11/2009 O'Donnell  
D605,082 S 12/2009 Munson



(56)

## References Cited

## U.S. PATENT DOCUMENTS

D668,182	S	10/2012	Barba Franco et al.		D749,249	S	2/2016	Thole et al.
D668,183	S	10/2012	Smart		D749,250	S	2/2016	Thole et al.
8,297,584	B2 *	10/2012	Mueller .....	B60R 1/06 248/475.1	D749,985	S	2/2016	Kozub et al.
D678,820	S	3/2013	Son et al.		D749,997	S	2/2016	McMahan et al.
D678,821	S	3/2013	Ikeda et al.		D750,001	S	2/2016	Thole et al.
D680,909	S	4/2013	Munson et al.		D753,032	S	4/2016	Smith et al.
D680,910	S	4/2013	David		D753,033	S	4/2016	Thole et al.
D684,899	S	6/2013	Baker		D753,034	S	4/2016	Thole et al.
D686,536	S	7/2013	McCabe et al.		D753,035	S	4/2016	Boniface et al.
D691,076	S *	10/2013	Vincent .....	D12/187	D753,559	S	4/2016	McMahan et al.
D692,798	S	11/2013	Thurber		D753,560	S	4/2016	McMahan et al.
D692,799	S	11/2013	Smith et al.		D753,567	S	4/2016	Boniface et al.
D696,157	S	12/2013	Loeb		D754,571	S	4/2016	Boniface et al.
D699,629	S	2/2014	Ikeda et al.		D754,572	S	4/2016	McMahan et al.
D700,871	S	3/2014	O'Donnell et al.		D755,088	S	5/2016	McMahan et al.
D703,103	S	4/2014	Lee		D756,869	S	5/2016	McMahan et al.
D704,103	S	5/2014	Mack et al.		D758,271	S	6/2016	McMahan et al.
D705,132	S	5/2014	Ware et al.		D764,975	S	8/2016	Aengenheyster
D705,699	S	5/2014	Ware et al.		D764,976	S	8/2016	Aengenheyster
D710,775	S *	8/2014	Minamisawa .....	D12/187	D767,449	S	9/2016	Pevovar et al.
D713,298	S	9/2014	Dyson		D767,450	S	9/2016	Lee et al.
D713,764	S	9/2014	Ferlazzo et al.		D767,451	S	9/2016	Kozub et al.
D716,696	S	11/2014	Thole et al.		D767,454	S	9/2016	McMahan et al.
D716,706	S	11/2014	Thole et al.		D767,458	S	9/2016	Kim
D716,709	S	11/2014	Thole et al.		D767,459	S	9/2016	Kim
D717,696	S	11/2014	Thole et al.		D767,460	S	9/2016	Kozub et al.
D718,189	S	11/2014	Krieg et al.		D767,461	S	9/2016	Kozub et al.
D718,683	S	12/2014	Thole et al.		D771,528	S	11/2016	Smith et al.
D718,689	S *	12/2014	Blanski .....	D12/187	D771,529	S	11/2016	Thole et al.
D722,282	S	2/2015	Loeb		D771,532	S	11/2016	Kapitonov
D722,533	S	2/2015	Thole et al.		D771,533	S	11/2016	Kapitonov
D722,534	S	2/2015	Munson et al.		D772,766	S	11/2016	Kozub et al.
D724,510	S	3/2015	McMahan et al.		D772,767	S	11/2016	Kim
D725,001	S	3/2015	McMahan et al.		D773,084	S	11/2016	Kapitonov
D726,591	S	4/2015	Jacob		D773,086	S	11/2016	McCabe et al.
D730,776	S	6/2015	Smart		D774,226	S	12/2016	McCabe et al.
D730,783	S	6/2015	Henriques et al.		D775,003	S	12/2016	Pevovar et al.
D732,427	S	6/2015	Loeb		D775,007	S	12/2016	Thole et al.
D732,429	S	6/2015	Loeb		D775,010	S	12/2016	Kim et al.
D732,430	S	6/2015	Loeb		D775,049	S	12/2016	Scheer et al.
D732,431	S	6/2015	Loeb		D775,549	S	1/2017	Karras
D732,432	S	6/2015	Aengenheyster		D775,554	S	1/2017	Kapitonov
D732,433	S	6/2015	Aengenheyster		D776,020	S	1/2017	Kapitonov
D732,435	S	6/2015	Mackay		D776,581	S	1/2017	Pevovar et al.
D733,002	S	6/2015	Loeb		D776,583	S	1/2017	Scheer et al.
D735,611	S	8/2015	Aengenheyster		D776,841	S	1/2017	Kozub et al.
D735,627	S	8/2015	Smith		D776,843	S	1/2017	McCabe et al.
D736,451	S	8/2015	Smith		D776,846	S	1/2017	Willett et al.
D739,306	S	9/2015	McMahan et al.		D777,068	S *	1/2017	Sternner .....
D739,317	S	9/2015	McMahan et al.		D777,359	S	1/2017	Kozub et al.
D741,223	S	10/2015	Kim et al.		D777,360	S	1/2017	Kozub et al.
D743,309	S	11/2015	Thole et al.		D777,361	S	1/2017	Kozub et al.
D743,313	S	11/2015	Smith et al.		D777,604	S	1/2017	McNerney
D743,314	S	11/2015	Thole et al.		D777,605	S	1/2017	Ferlazzo et al.
D743,857	S	11/2015	McMahan et al.		D777,620	S	1/2017	Pevovar et al.
D744,158	S	11/2015	Willett et al.		D777,621	S	1/2017	Kim
D745,086	S	12/2015	Finos et al.		D777,622	S	1/2017	Kozub et al.
D745,719	S	12/2015	Boniface et al.		D777,628	S	1/2017	Kozub et al.
D745,725	S	12/2015	McMahan et al.		D777,955	S	1/2017	Willett et al.
D745,726	S	12/2015	McMahan et al.		D778,212	S	2/2017	Kozub et al.
D745,837	S	12/2015	Smith et al.		D778,215	S	2/2017	Kozub et al.
D746,196	S *	12/2015	Di Buduo .....	D12/187	D780,064	S	2/2017	Smith et al.
D746,726	S	1/2016	Smith et al.		D780,067	S	2/2017	Zipfel et al.
D746,727	S	1/2016	Smith et al.		D780,068	S	2/2017	Whitla et al.
D746,728	S	1/2016	Smith et al.		D780,077	S	2/2017	Kim et al.
D746,729	S	1/2016	Boniface et al.		D780,081	S	2/2017	Lee
D746,730	S	1/2016	Kim et al.		D780,084	S	2/2017	Scheer et al.
D747,514	S	1/2016	McMahan et al.		D780,631	S	3/2017	Kozub et al.
D747,515	S	1/2016	McMahan et al.		D780,644	S	3/2017	Kim et al.
D747,819	S	1/2016	Thole et al.		D781,184	S	3/2017	Thole et al.
D749,021	S	2/2016	Boniface et al.		D781,192	S	3/2017	Kozub et al.
D749,026	S	2/2016	Smith et al.		D782,379	S	3/2017	Wassell
D749,027	S	2/2016	McMahan et al.		D783,482	S	4/2017	Smith et al.
D749,246	S	2/2016	Thole et al.		D784,213	S	4/2017	Karras
					D784,223	S	4/2017	Lee
					D784,226	S	4/2017	Cheng
					D784,579	S	4/2017	Cheng et al.
					D784,877	S	4/2017	Lee
					D784,886	S	4/2017	Smith et al.

(56)

**References Cited**

U.S. PATENT DOCUMENTS

D785,521 S	5/2017	Smith et al.	
D785,524 S *	5/2017	Kim .....	D12/187
D786,149 S	5/2017	Pevovar et al.	
D786,743 S	5/2017	Smith et al.	
D786,750 S	5/2017	Lee	
D802,502 S *	11/2017	McMahan .....	D12/187
D809,442 S *	2/2018	Zipfel .....	D12/187

\* cited by examiner

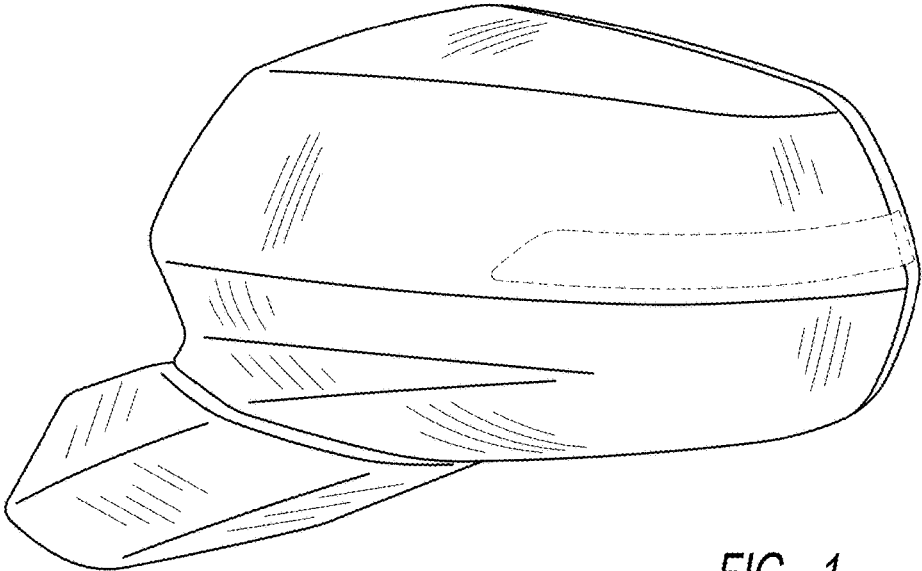


FIG - 1

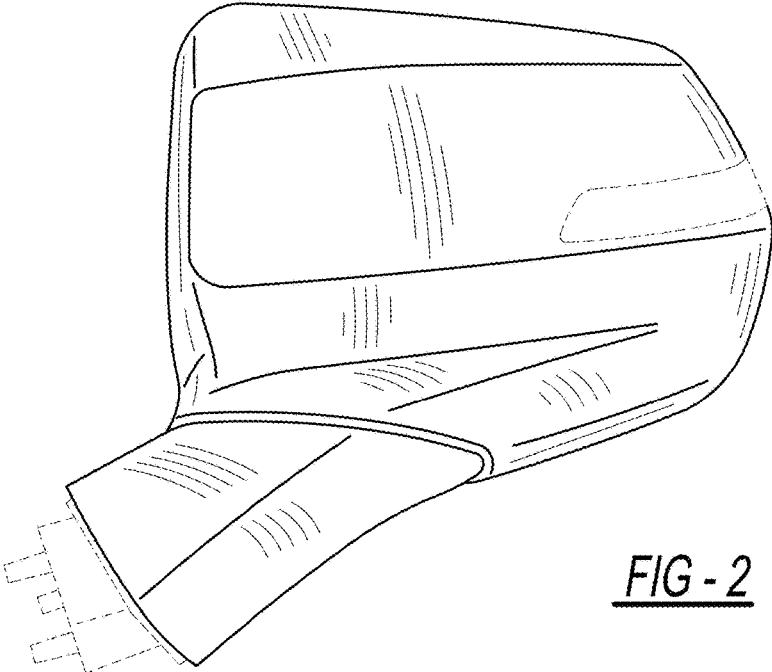


FIG - 2

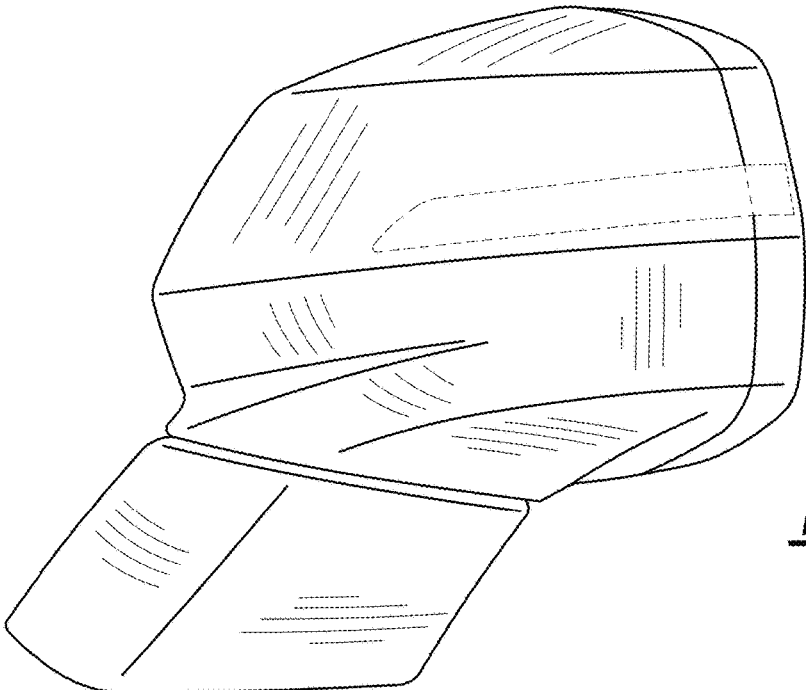


FIG - 3

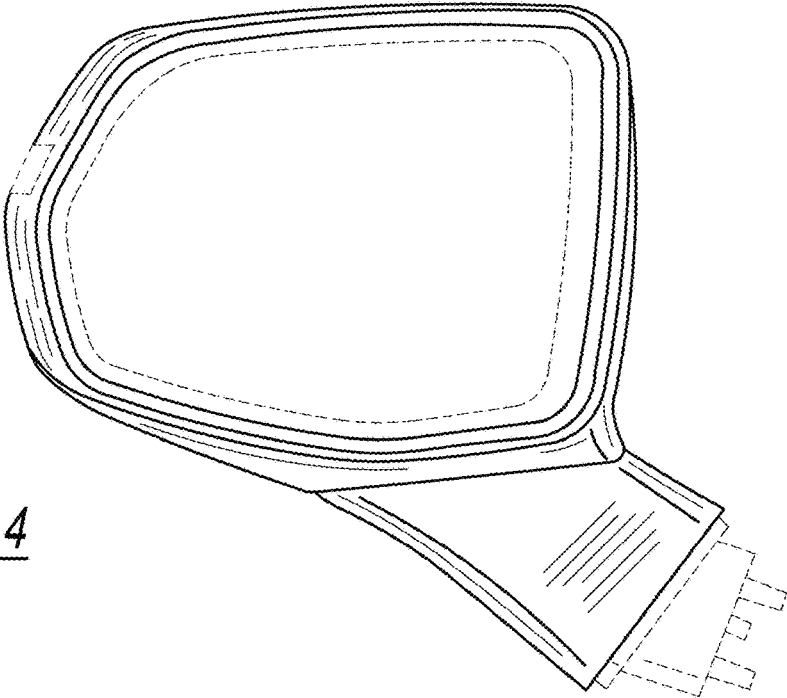


FIG - 4