



US00D997096S

(12) **United States Design Patent**
Leow et al.

(10) **Patent No.:** **US D997,096 S**
(45) **Date of Patent:** **** Aug. 29, 2023**

(54) **DOCKING STATION FOR MOVING DEVICE**

D840,928 S * 2/2019 Sun D13/108
D897,949 S * 10/2020 Pearce D13/108
D946,519 S * 3/2022 Gao D13/108
D965,517 S * 10/2022 Jones D14/434

(71) Applicants: **UBTECH NORTH AMERICA
RESEARCH AND DEVELOPMENT
CENTER CORP**, Pasadena, CA (US);
UBTECH ROBOTICS CORP LTD,
Shenzhen (CN)

(Continued)

FOREIGN PATENT DOCUMENTS

(72) Inventors: **Zhi Heng Leow**, Sherman Oaks, CA
(US); **Francisco Jose Hernandez**, Long
Beach, CA (US); **Chengkun Zhang**,
Temple City, CA (US); **Huan Tan**,
Pasadena, CA (US)

CA 202808 * 1/2023
GB 6254351 * 1/2023
KR 301131061.0000 * 10/2021

OTHER PUBLICATIONS

(73) Assignees: **UBTECH NORTH AMERICA
RESEARCH AND DEVELOPMENT
CENTER CORP**, Pasadena, CA (US);
UBTECH ROBOTICS CORP LTD,
Shenzhen (CN)

Thamtu—Amazon, Announced on Feb. 23, 2023[online], retrieved
on Jun. 27, 2023, retrieved from internet, <https://www.amazon.com/Thamtu-Charging-Adapter-Vacuum-Cleaner/dp/B0BWM93GS> (Year:
2023).*

(Continued)

(**) Term: **15 Years**

Primary Examiner — David G Muller
Assistant Examiner — Noah Perez

(21) Appl. No.: **29/796,558**

(57) **CLAIM**

(22) Filed: **Jun. 25, 2021**

The ornamental design for a docking station for moving
device, as shown and described.

(51) **LOC (14) Cl.** **13-02**

(52) **U.S. Cl.** **D13/108**

(58) **Field of Classification Search**
USPC D13/103, 104, 106–108, 110, 112, 16,
D13/119, 126, 153, 168, 184, 199;
D14/253, 434, 432
CPC H02J 7/0047; H02J 7/0049; H02J 50/05
See application file for complete search history.

DESCRIPTION

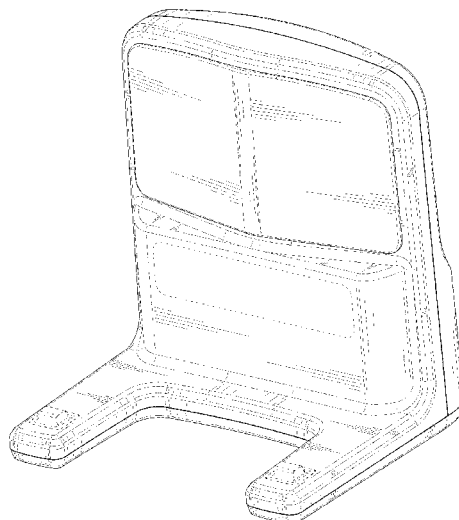
FIG. 1 is a first perspective view of a docking station for
moving device showing the claimed design in accordance
with the present disclosure;
FIG. 2 is a second perspective view thereof;
FIG. 3 is a front elevational view thereof;
FIG. 4 is a rear elevational view thereof;
FIG. 5 is a left side elevational view thereof;
FIG. 6 is a right side elevational view thereof;
FIG. 7 is a top plan view thereof; and,
FIG. 8 is a bottom plan view thereof.
The broken lines in the Figures are for the purpose of
illustrating portions of the article that form no part of the
claimed design.

(56) **References Cited**

U.S. PATENT DOCUMENTS

D675,154 S * 1/2013 Nam D13/108
D691,553 S * 10/2013 Deoksang D13/108
D698,310 S * 1/2014 Yun D13/108
D782,412 S * 3/2017 Kim D13/108
D818,950 S * 5/2018 Ebrahimi Afrouzi D32/31

1 Claim, 8 Drawing Sheets



(56)

References Cited

U.S. PATENT DOCUMENTS

D972,127 S * 12/2022 Troll D24/113
2013/0335900 A1* 12/2013 Jang A47L 9/2884
361/679.01

OTHER PUBLICATIONS

Goodsby—Amazon, Announced on Oct. 5, 2022[online], retrieved on Jun. 27, 2023, retrieved from internet, <https://www.amazon.com/Goodsby-Charging-Base-Shark-ION/dp/B0BHH2BQC6> (Year: 2022).*

Roomba Charger Dock—Amazon, Announced on Mar. 29, 2023 [online], retrieved on Jun. 27, 2023, retrieved from internet, <https://www.amazon.com/dp/B0BZW2ZTY3/> (Year: 2023).*

VHBW—Amazon, Announced on May 10, 2022 [online], retrieved on Jun. 27, 2023, retrieved from internet, <https://www.amazon.com/VHBW-ADF-N1-17170-17064-4452369/dp/B09ZYCCKX/> (Year: 2022).*

* cited by examiner

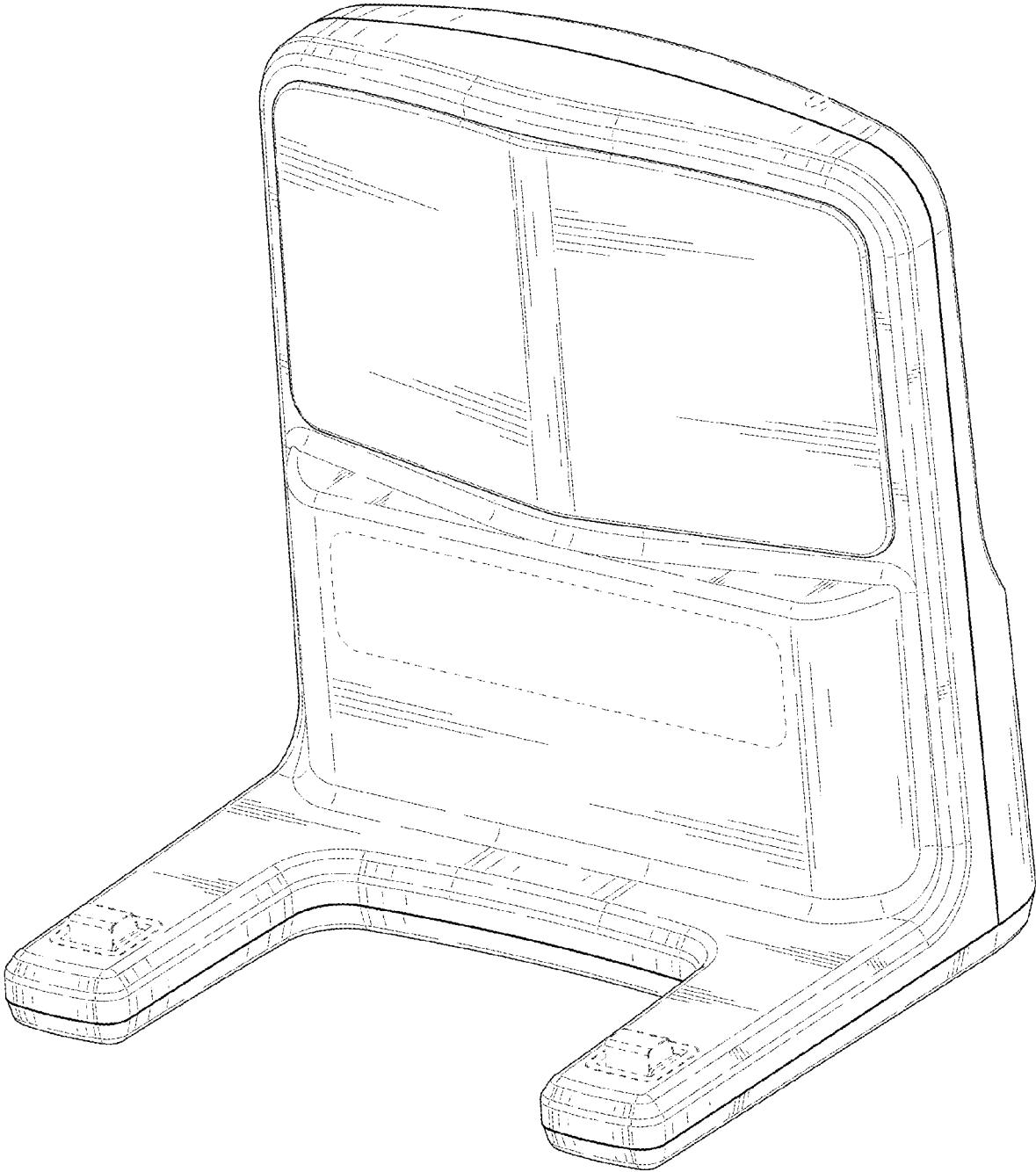


FIG. 1

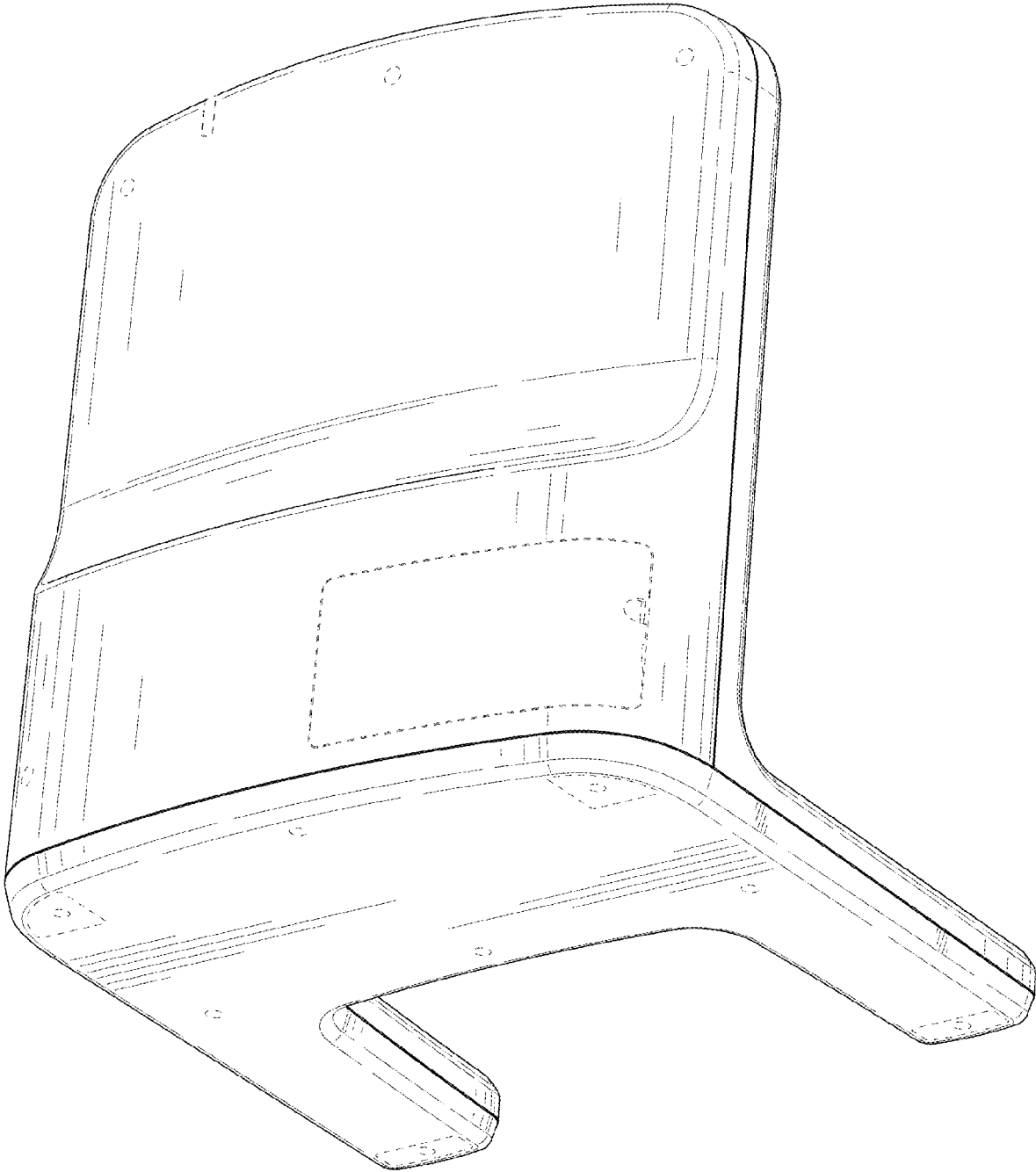


FIG. 2

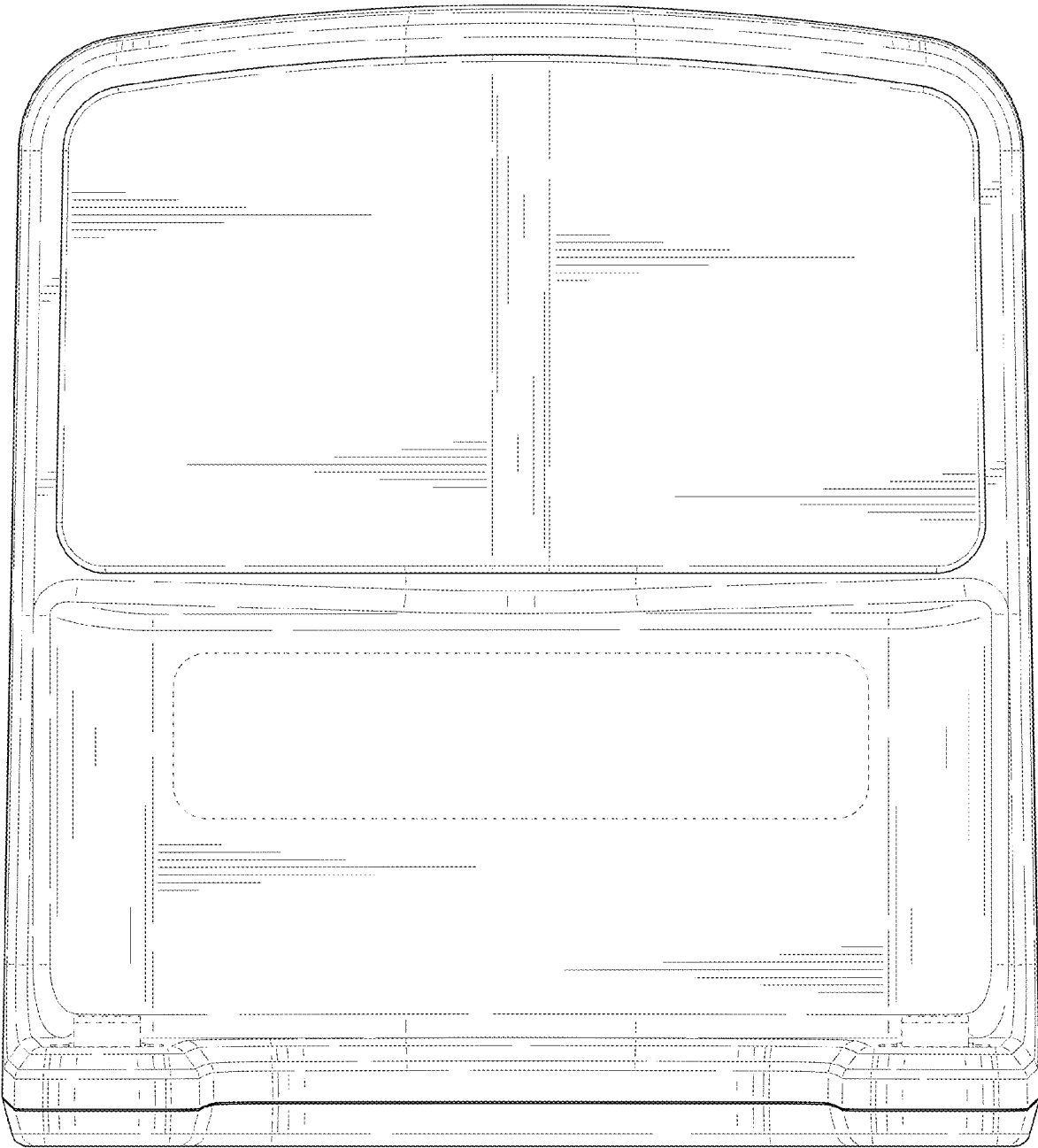


FIG. 3

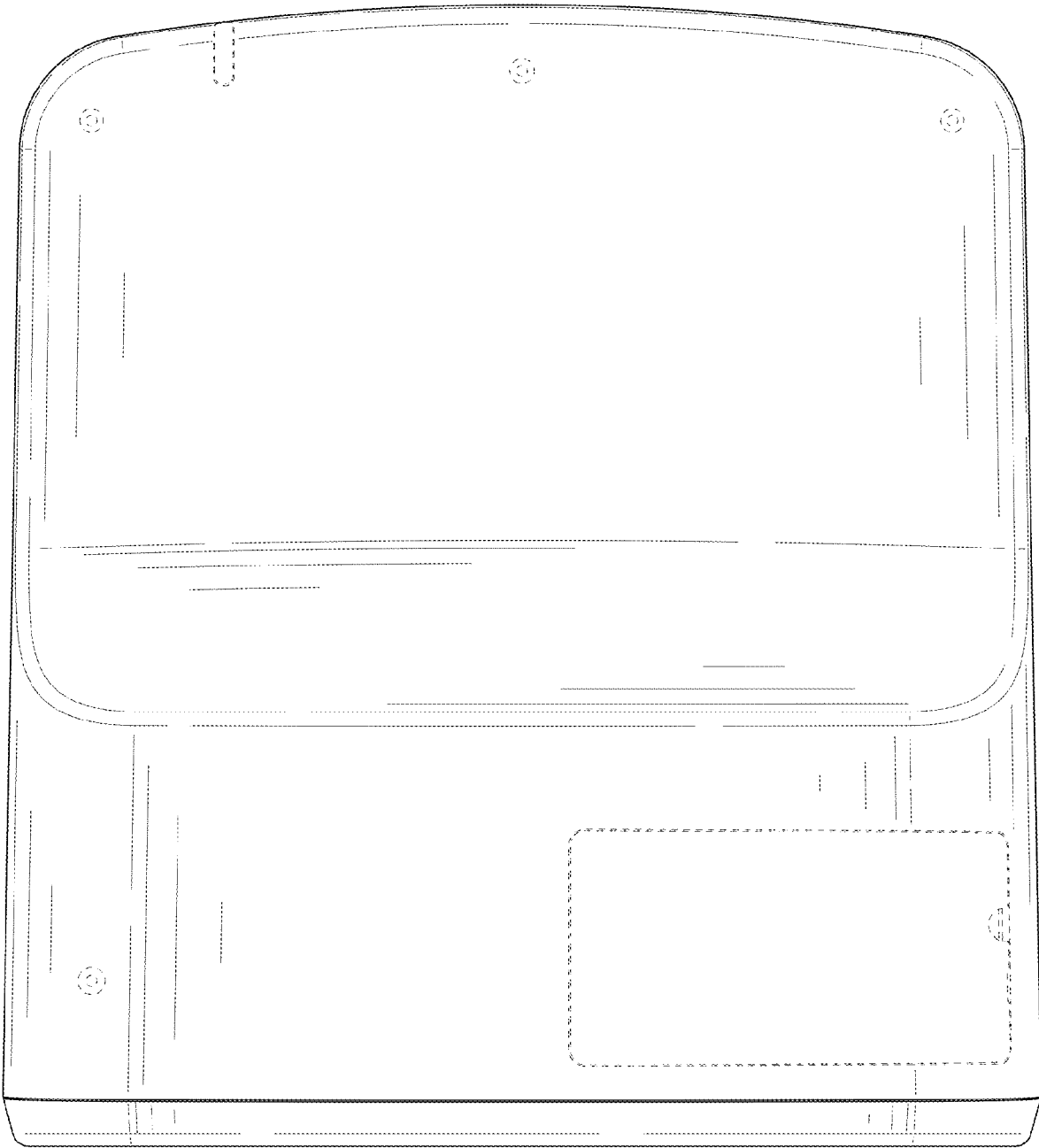


FIG. 4

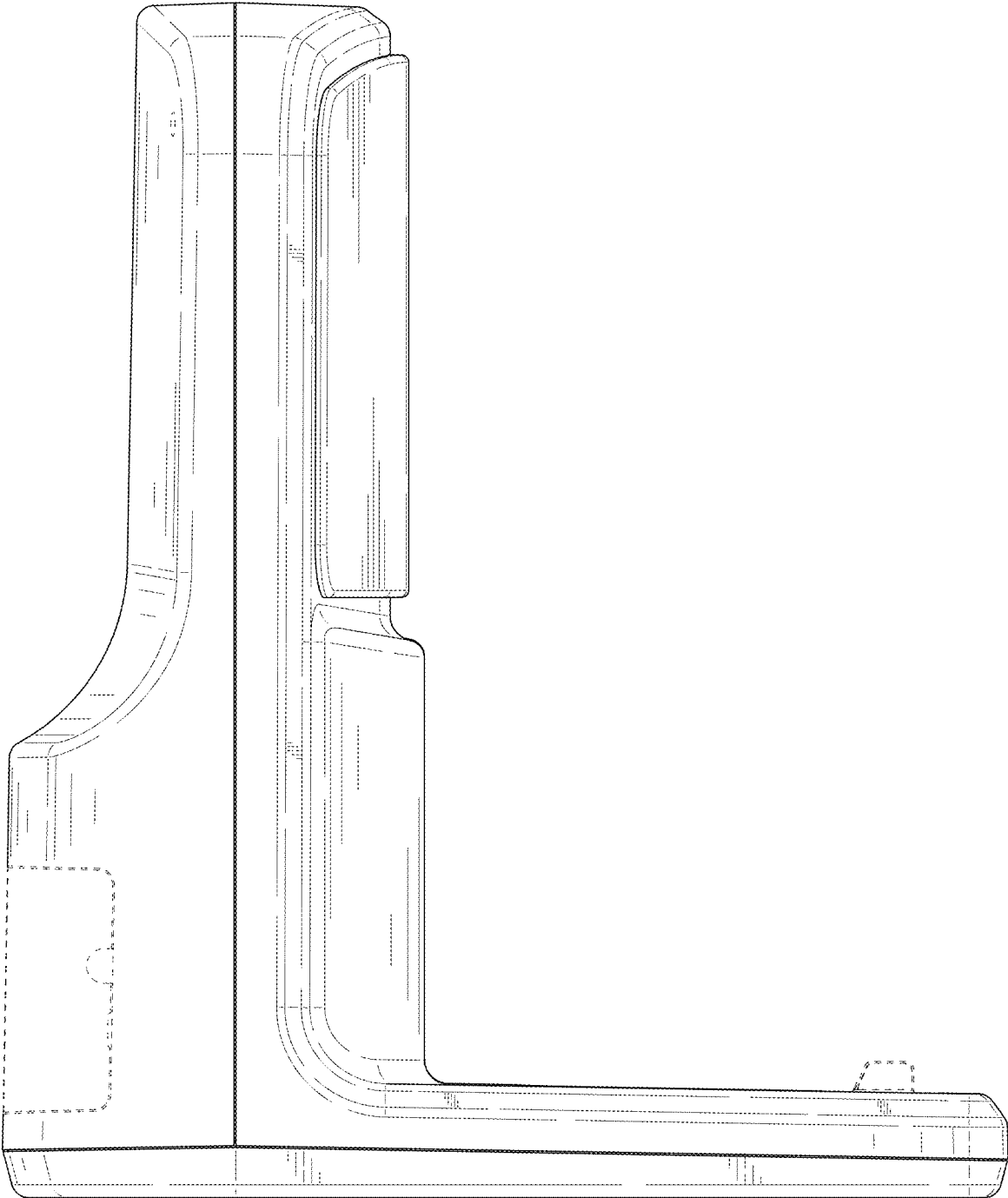


FIG. 5

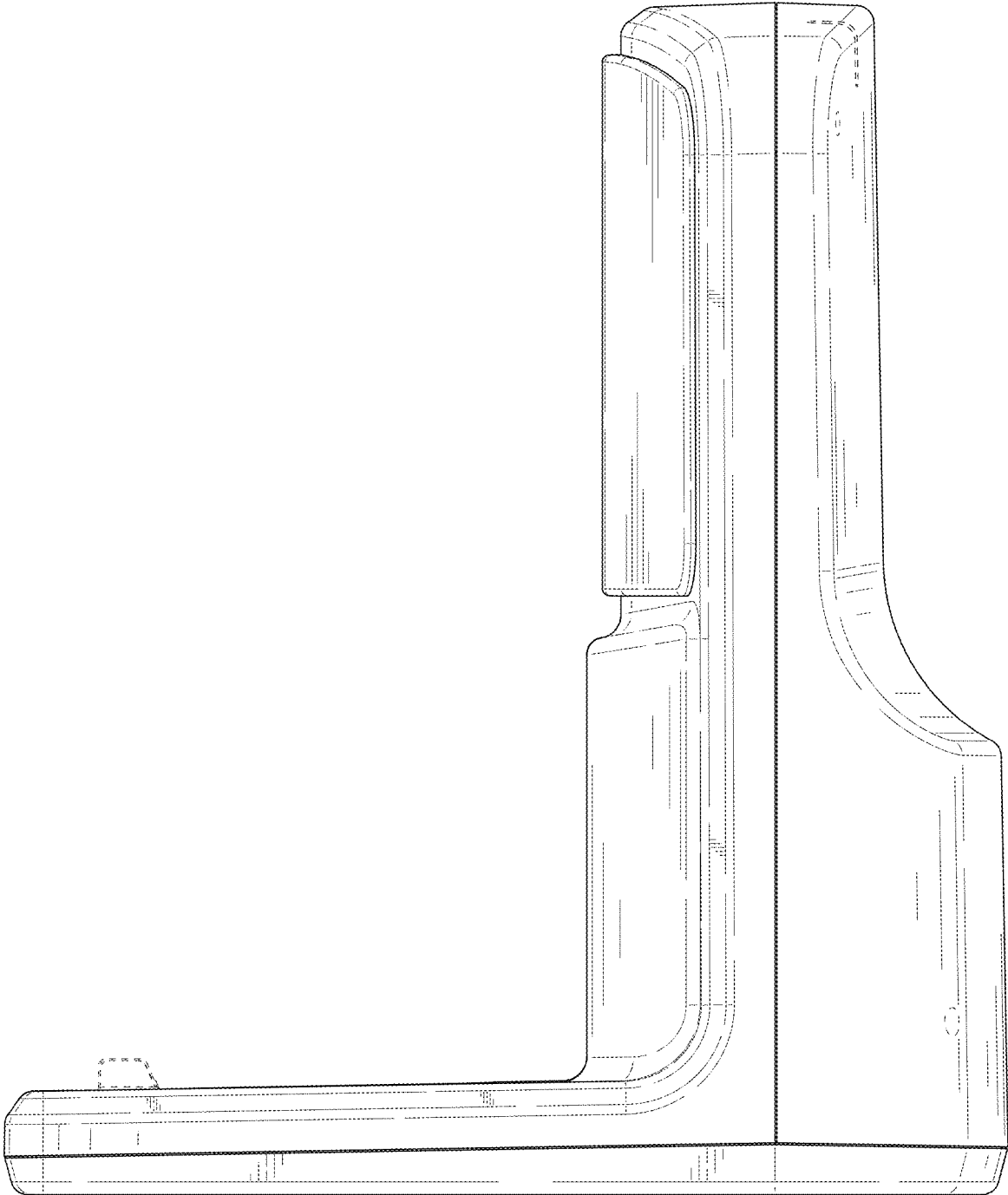


FIG. 6

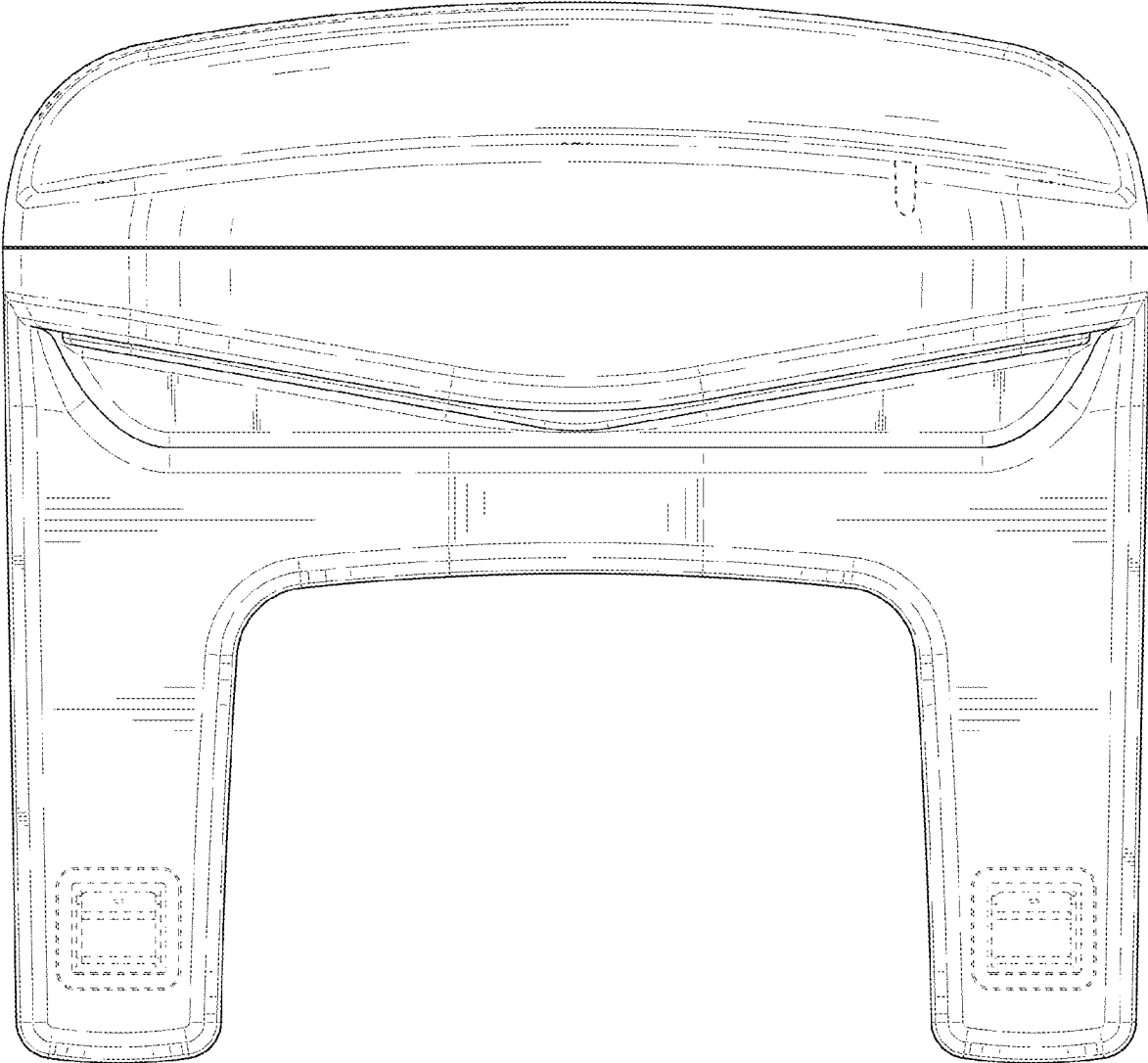


FIG. 7

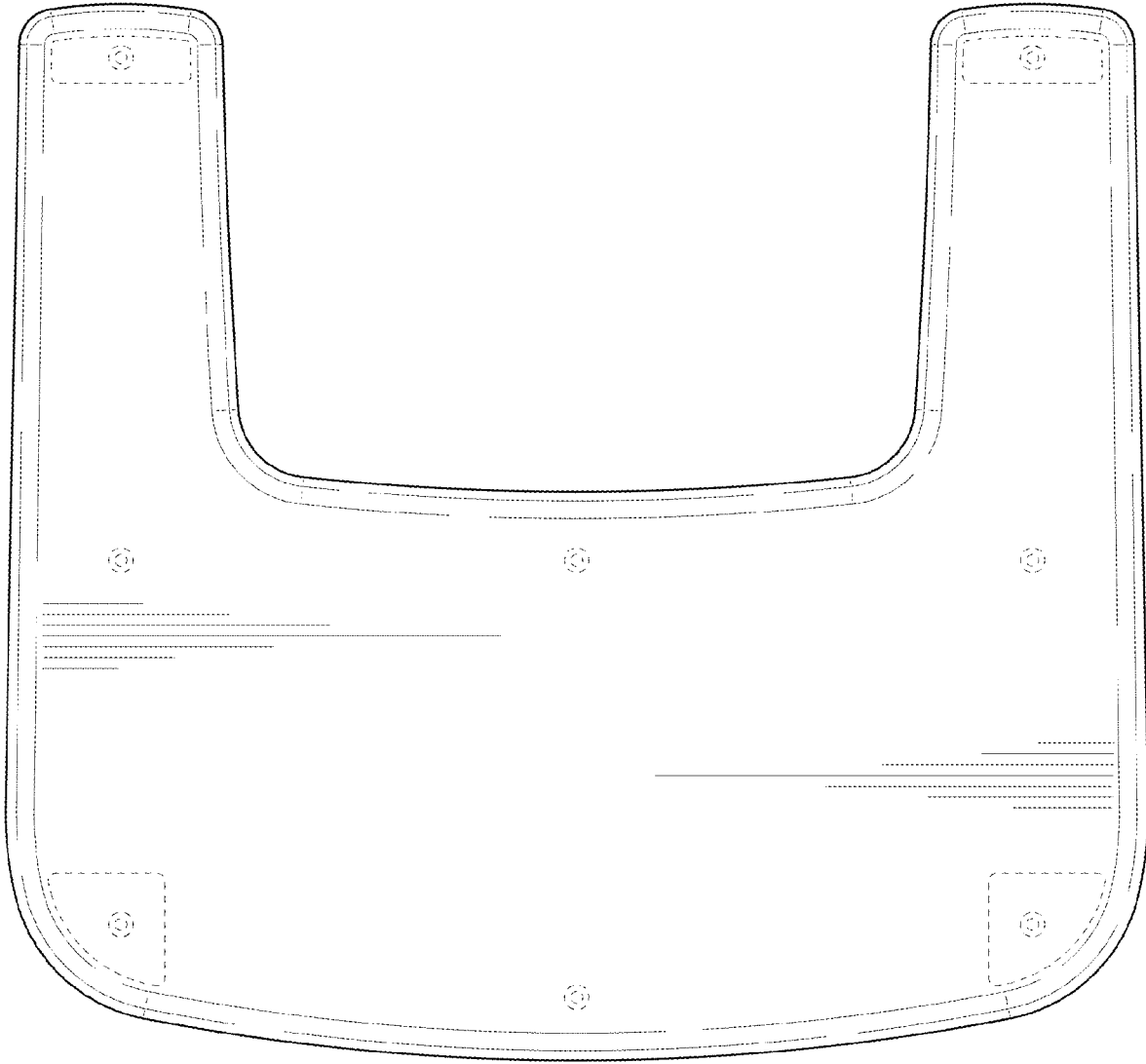


FIG. 8