

(19) World Intellectual Property  
Organization  
International Bureau



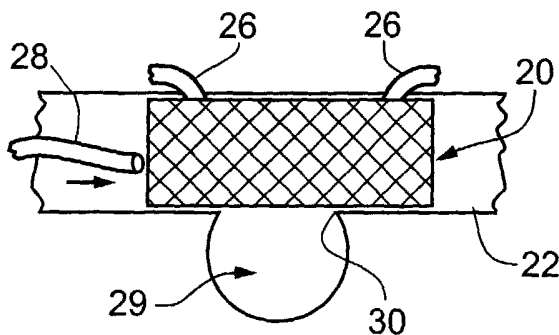
(43) International Publication Date  
30 May 2003 (30.05.2003)

PCT

(10) International Publication Number  
**WO 2003/043527 A3**

- (51) International Patent Classification<sup>7</sup>: **A61F 2/06**
- (21) International Application Number:  
PCT/IL2002/000886
- (22) International Filing Date:  
6 November 2002 (06.11.2002)
- (25) Filing Language: English
- (26) Publication Language: English
- (30) Priority Data:  
60/332,013 23 November 2001 (23.11.2001) US  
10/216,356 12 August 2002 (12.08.2002) US
- (71) Applicant (for all designated States except US): **MIND-GUARD LTD.** [IL/IL]; Alon Hatavor 1, Industrial Park, 38 900 Caesarea (IL).
- (72) Inventors; and
- (75) Inventors/Applicants (for US only): **YODFAT, Ofer** [IL/IL]; Nahal Hayarkon Street 4, 71 700 Modi'in (IL). **LIEBER, Baruch** [US/US]; 1251 Memorial Drive, Coral Gables, FL 33146 (US). **GRAD, Ygael** [IL/IL]; Mintz Street 14, 69 512 Tel Aviv (IL). **NISHRI, Boaz** [IL/IL]; Maagan Michael, 37 805 Maagan Michael (IL).
- (74) Agent: **G. E. EHRLICH (1995) LTD.**; Bezalel Street 28, 52 521 Ramat Gan (IL).
- (81) Designated States (national): AE, AG, AL, AM, AT (utility model), AT, AU, AZ, BA, BB, BG, BR, BY, BZ, CA, CH, CN, CO, CR, CU, CZ (utility model), CZ, DE (utility model), DE, DK (utility model), DK, DM, DZ, EC, EE (utility model), EE, ES, FI (utility model), FI, GB, GD, GE, GH, GM, HR, HU, ID, IL, IN, IS, JP, KE, KG, KP, KR, KZ, LC, LK, LR, LS, LT, LU, LV, MA, MD, MG, MK, MN, MW, MX, MZ, NO, NZ, OM, PH, PL, PT, RO, RU, SD, SE, SG, SI, SK (utility model), SK, SL, TJ, TM, TN, TR, TT, TZ, UA, UG, US, UZ, VC, VN, YU, ZA, ZM, ZW.
- (84) Designated States (regional): ARIPO patent (GH, GM, KE, LS, MW, MZ, SD, SL, SZ, TZ, UG, ZM, ZW), Eurasian patent (AM, AZ, BY, KG, KZ, MD, RU, TJ, TM), European patent (AT, BE, BG, CH, CY, CZ, DE, DK, EE, ES, FI, FR, GB, GR, IE, IT, LU, MC, NL, PT, SE, SK, TR), OAPI patent (BF, BJ, CF, CG, CI, CM, GA, GN, GQ, GW, ML, MR, NE, SN, TD, TG).
- Published:**  
— with international search report
- (88) Date of publication of the international search report:  
18 March 2004
- For two-letter codes and other abbreviations, refer to the "Guidance Notes on Codes and Abbreviations" appearing at the beginning of each regular issue of the PCT Gazette.*

(54) Title: **IMPLANTABLE INTRALUMINAL DEVICE AND METHOD OF USING SAME IN TREATING ANEURYSMS**



(57) Abstract: An intraluminal device (2) implantable in a blood vessel (22) having an aneurysm (24) therein in the vicinity of a perforating vessel and/or a bifurcation leading to a branch vessel. The intraluminal device (2) includes a mesh-like tube of bio-compatible material having an expanded condition in which the tube diameter is slightly larger than the diameter of the blood vessel in which it is to be implanted, and the tube length is sufficient to straddle the aneurysm and to be anchored to the blood vessel on the opposite sides of the aneurysm. The tube also has a contracted condition wherein it is sufficiently flexible so as to be easily manipulatable through the blood vessel. In its expanded condition, the tube has a porosity index of 55% - 80% to reduce the flow of blood through its wall to the aneurysm sufficiently to decrease the

possibility of rupture of the aneurysm but not to unduly reduce the blood flow to a perforating or branch vessel to the degree likely to cause significant damage to tissues supplied with blood by such vessel.

WO 2003/043527 A3

**INTERNATIONAL SEARCH REPORT**

International application No.

PCT/IL02/00886

**A. CLASSIFICATION OF SUBJECT MATTER**

IPC(7) : A61F 2/06  
 US CL : 623/1.53

According to International Patent Classification (IPC) or to both national classification and IPC

**B. FIELDS SEARCHED**

Minimum documentation searched (classification system followed by classification symbols)  
 U.S. : 623/1.53, 623/1.1- 623/1.54

Documentation searched other than minimum documentation to the extent that such documents are included in the fields searched

Electronic data base consulted during the international search (name of data base and, where practicable, search terms used)

**C. DOCUMENTS CONSIDERED TO BE RELEVANT**

Category *	Citation of document, with indication, where appropriate, of the relevant passages	Relevant to claim No.
X	US 4,655,771 A (WALLSTEN) 07 April 1987 (07.04.1987), col. 2, lines 7-55 and fig. 9	1, 5, 10-12 and 15

Further documents are listed in the continuation of Box C.

See patent family annex.

* Special categories of cited documents:		"T"
"A"	document defining the general state of the art which is not considered to be of particular relevance	later document published after the international filing date or priority date and not in conflict with the application but cited to understand the principle or theory underlying the invention
"E"	earlier application or patent published on or after the international filing date	"X"
"L"	document which may throw doubts on priority claim(s) or which is cited to establish the publication date of another citation or other special reason (as specified)	document of particular relevance; the claimed invention cannot be considered novel or cannot be considered to involve an inventive step when the document is taken alone
"O"	document referring to an oral disclosure, use, exhibition or other means	"Y"
"P"	document published prior to the international filing date but later than the priority date claimed	document of particular relevance; the claimed invention cannot be considered to involve an inventive step when the document is combined with one or more other such documents, such combination being obvious to a person skilled in the art
		"&"
		document member of the same patent family

Date of the actual completion of the international search

21 March 2003 (21.03.2003)

Date of mailing of the international search report

**05 JUN 2003**

Name and mailing address of the ISA/US  
 Commissioner of Patents and Trademarks  
 Box PCT  
 Washington, D.C. 20231

Facsimile No. (703)305-3230

Authorized officer

Corrine McDermott *Diane Amitt f*  
 Telephone No. 703 308 0850