



US00D883863S

(12) **United States Design Patent**
Bodman

(10) **Patent No.:** **US D883,863 S**

(45) **Date of Patent:** **** May 12, 2020**

(54) **ARM REST**

(71) Applicant: **MOBB HEALTH CARE LTD CORPORATION**, Concord, Ontario (CA)

(72) Inventor: **Moshe Bodman**, Toronto (CA)

(73) Assignee: **Mobb Health Care Ltd Corporation** (CA)

(**) Term: **15 Years**

(21) Appl. No.: **29/642,200**

(22) Filed: **Mar. 28, 2018**

(51) **LOC (12) Cl.** **12-12**

(52) **U.S. Cl.**
USPC **D12/133**

(58) **Field of Classification Search**
USPC D12/128-133
CPC A61G 5/00-14
See application file for complete search history.

(56) **References Cited**

U.S. PATENT DOCUMENTS

6,786,496 B2 *	9/2004	Ward	A61G 5/00 280/250.1
D731,931 S *	6/2015	Gingras	D12/133
D732,439 S *	6/2015	Childs	D12/133
D732,766 S *	6/2015	Hughes	D32/25
D749,019 S *	2/2016	Da Cunha	D12/133

D765,562 S *	9/2016	Dahlin	D12/133
D770,947 S *	11/2016	Zollars	D12/133
D780,074 S *	2/2017	Inada	D12/133
D818,883 S *	5/2018	Lundh	D12/133
D835,942 S *	12/2018	Koller	D7/552.1

* cited by examiner

Primary Examiner — Charles D Hanson

(74) *Attorney, Agent, or Firm* — Greg M. Popowitz; Assouline & Berlowe, P.A.

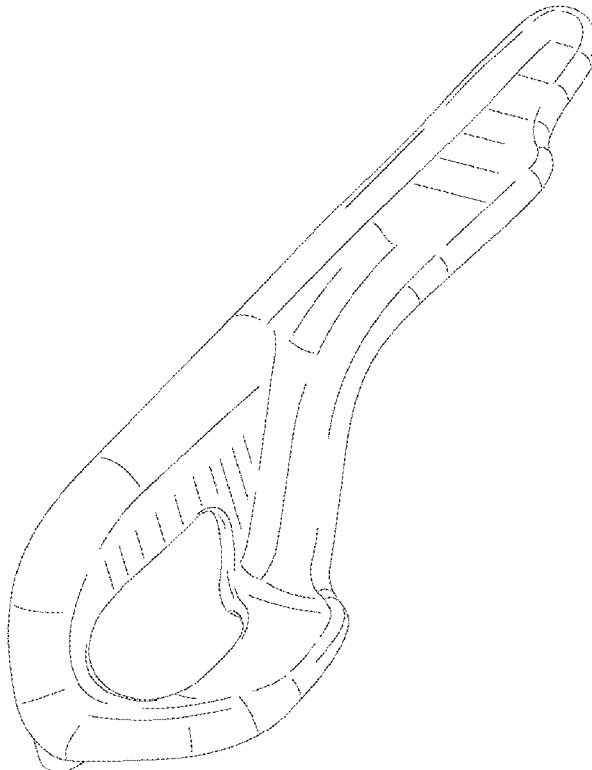
(57) **CLAIM**

The ornamental design for an arm rest, as shown and described.

DESCRIPTION

FIG. 1 is a front perspective view of a left arm rest.
 FIG. 2 is a side perspective view thereof.
 FIG. 3 is a back perspective view thereof.
 FIG. 4 is a top view thereof.
 FIG. 5 is a bottom view thereof.
 FIG. 6 is a left side view thereof.
 FIG. 7 is a right side view thereof.
 FIG. 8 front view thereof.
 FIG. 9 back view thereof.
 FIG. 10 is a front perceptive view of the left arm rest being engaged on a wheelchair.
 FIG. 11 is a side view of a user placing their hand on the left arm rest engaged on a wheelchair; and,
 FIG. 12 is a side view of a user lifting themselves from the wheelchair using the left arm rest engaged on the wheelchair.
 The illustrative broken lines depict environmental subject matter that form no part of the present claimed design.

1 Claim, 9 Drawing Sheets



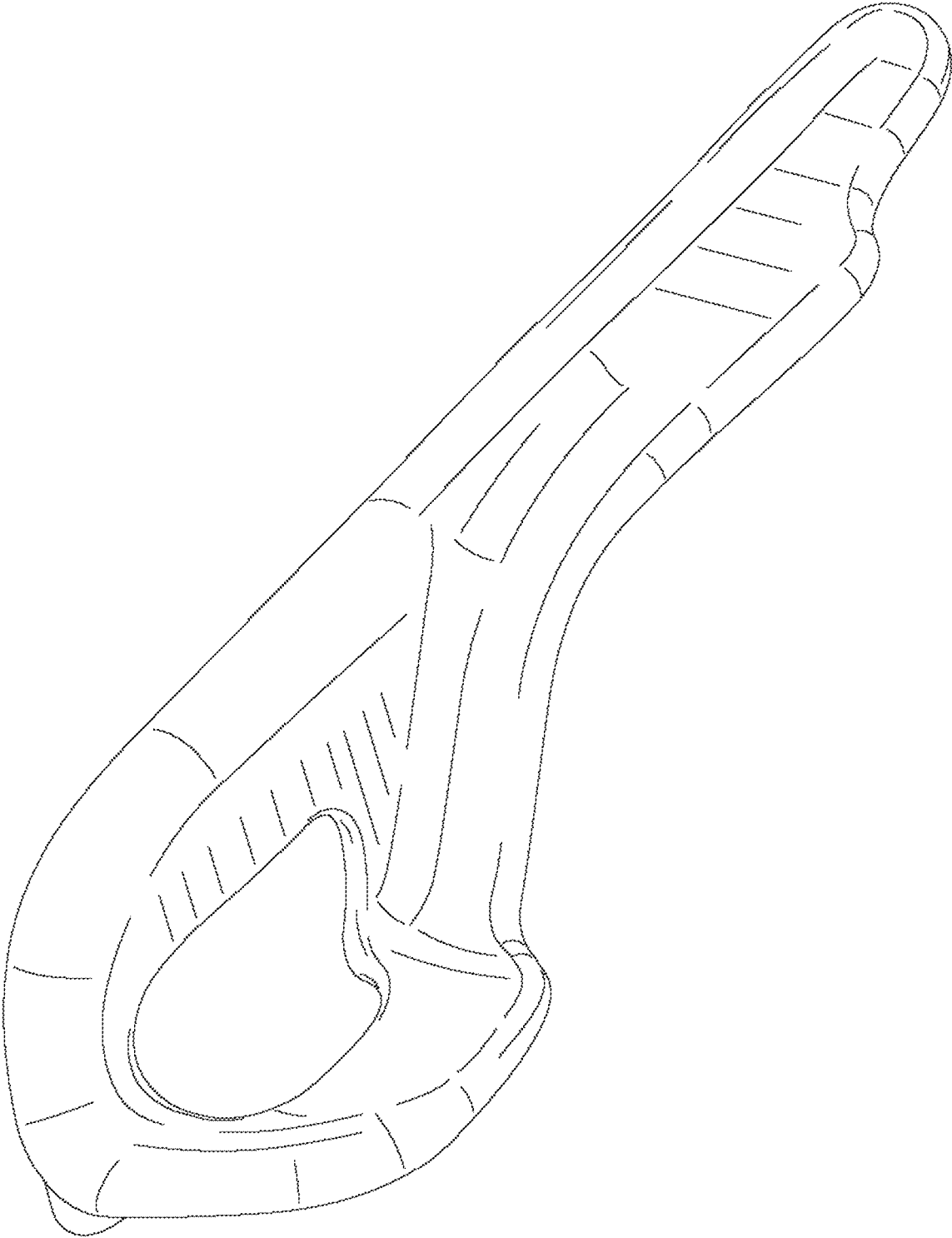


FIG. 1

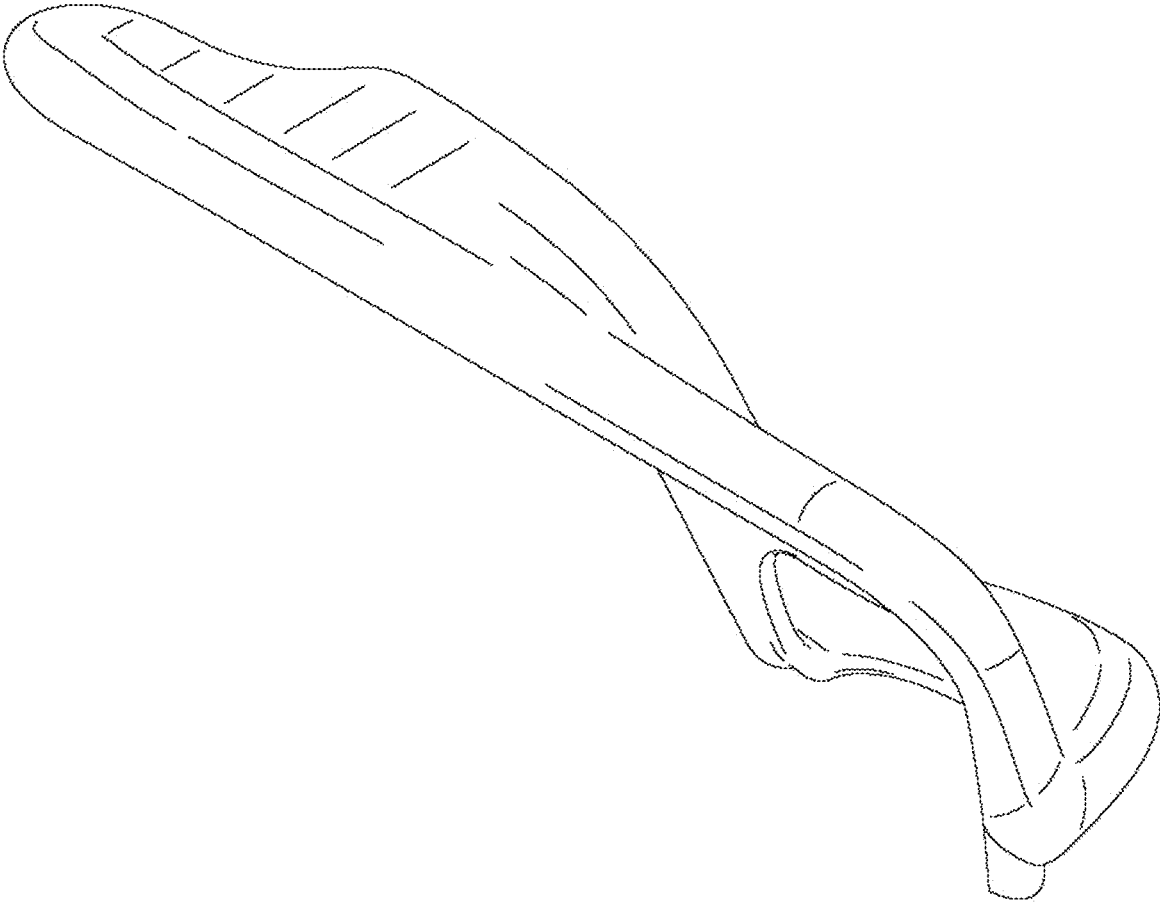


FIG. 2

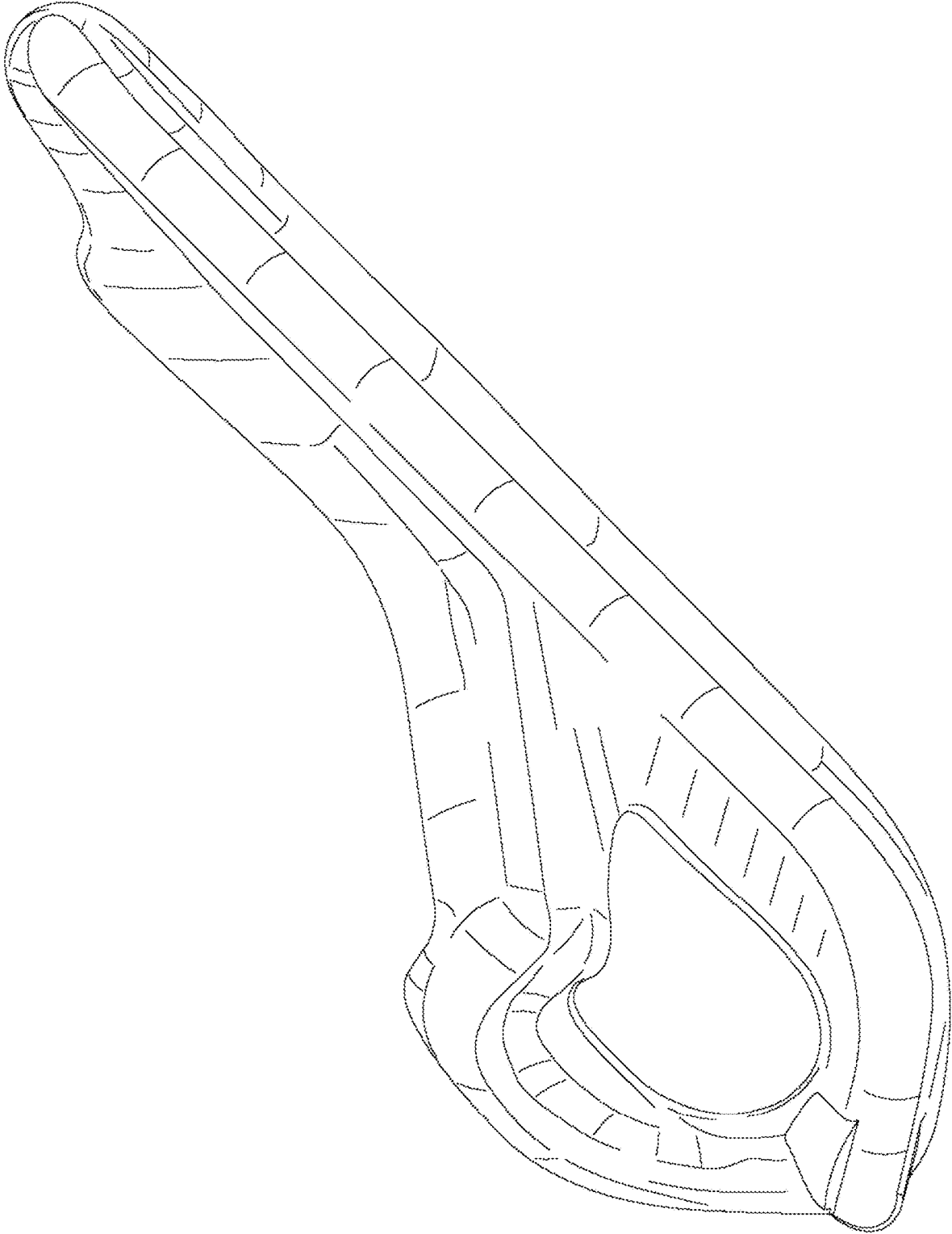


FIG. 3

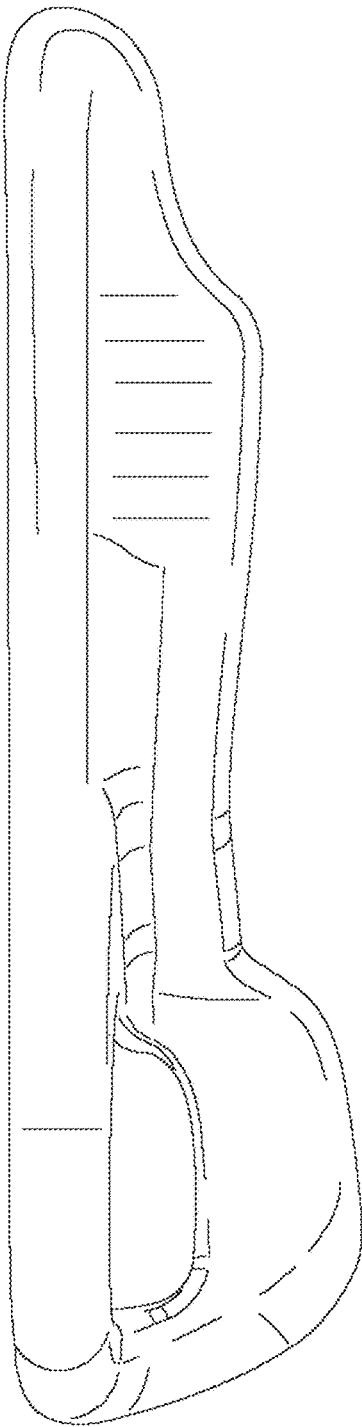


FIG. 4

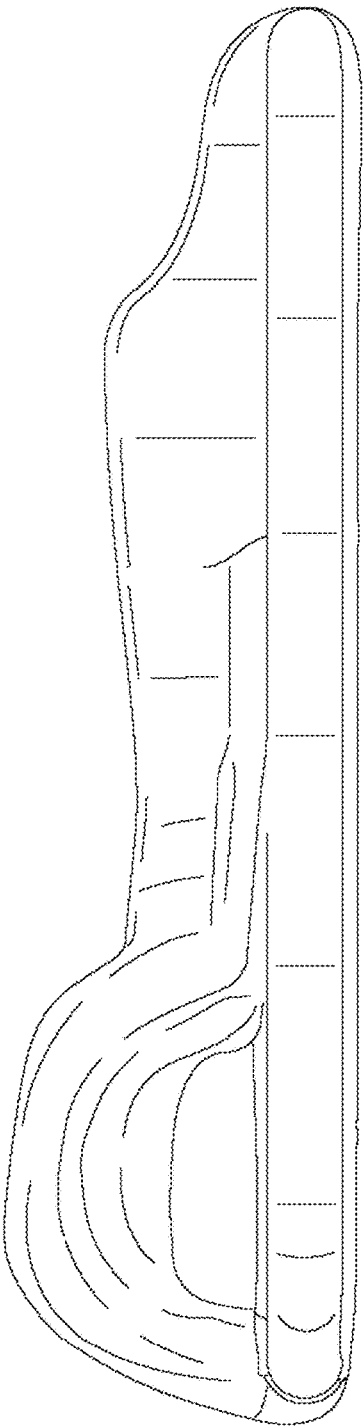


FIG. 5

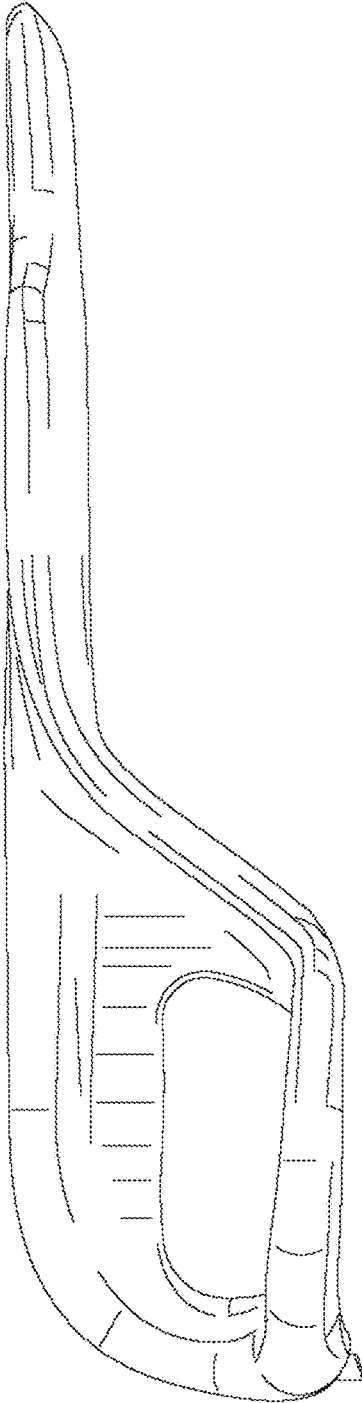


FIG. 6

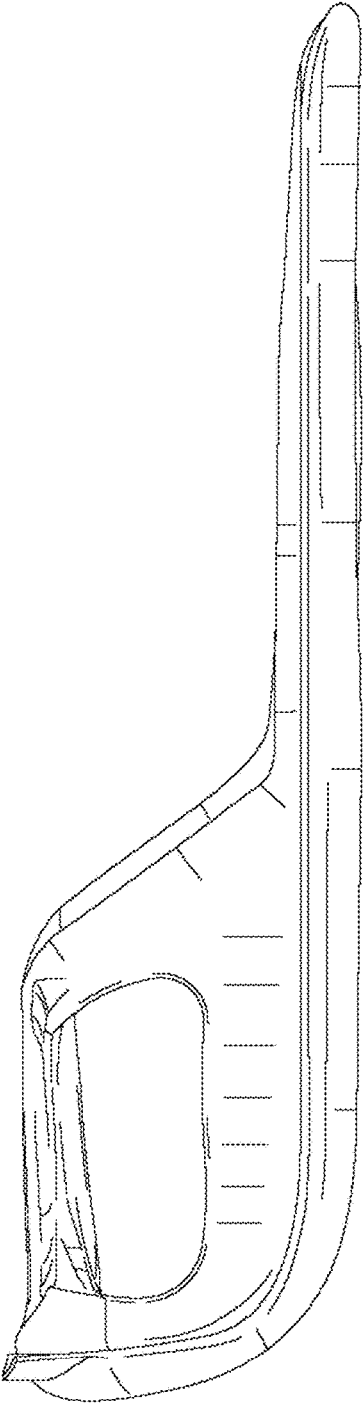


FIG. 7



FIG. 8



FIG. 9



FIG. 10

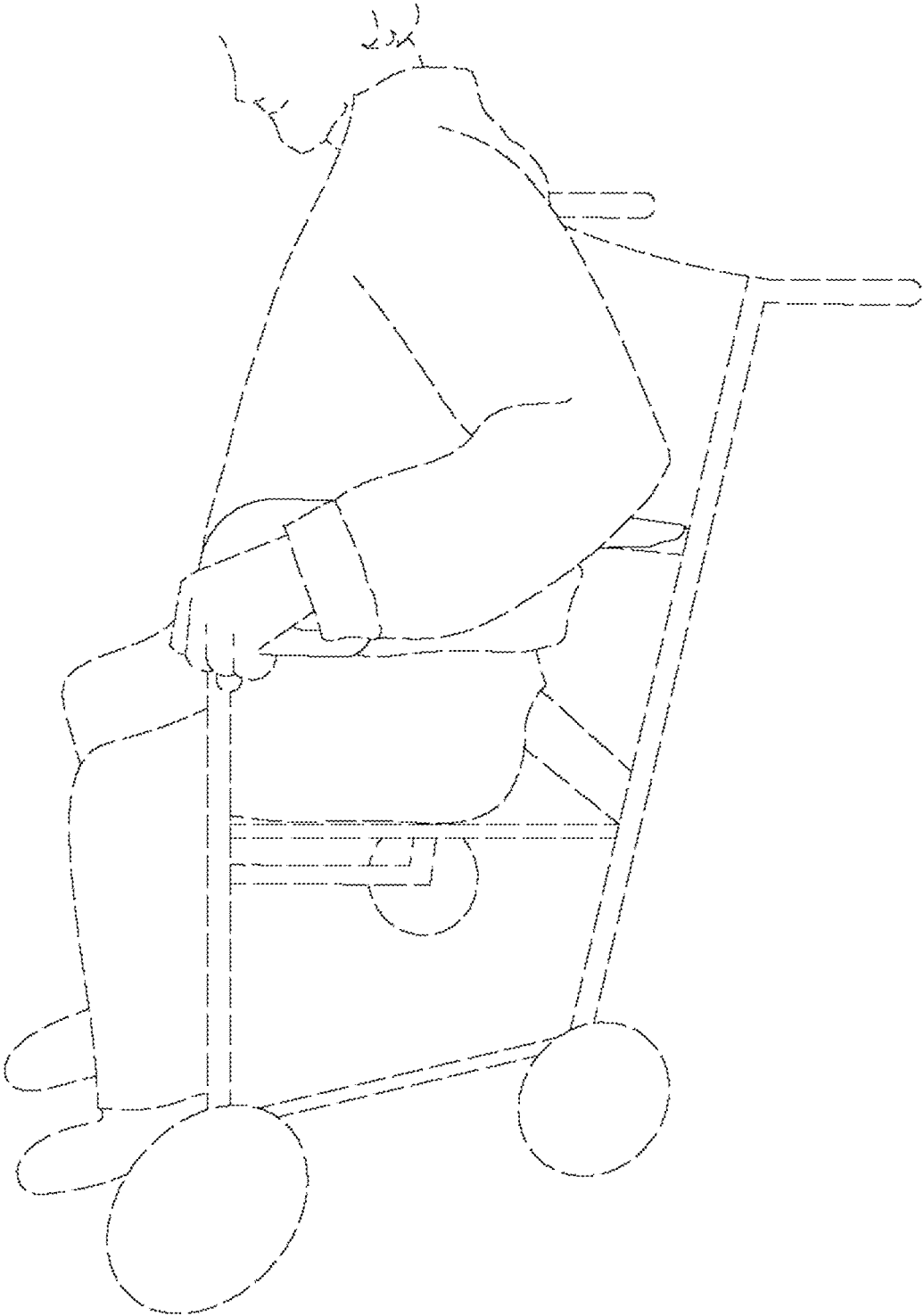


FIG. 11

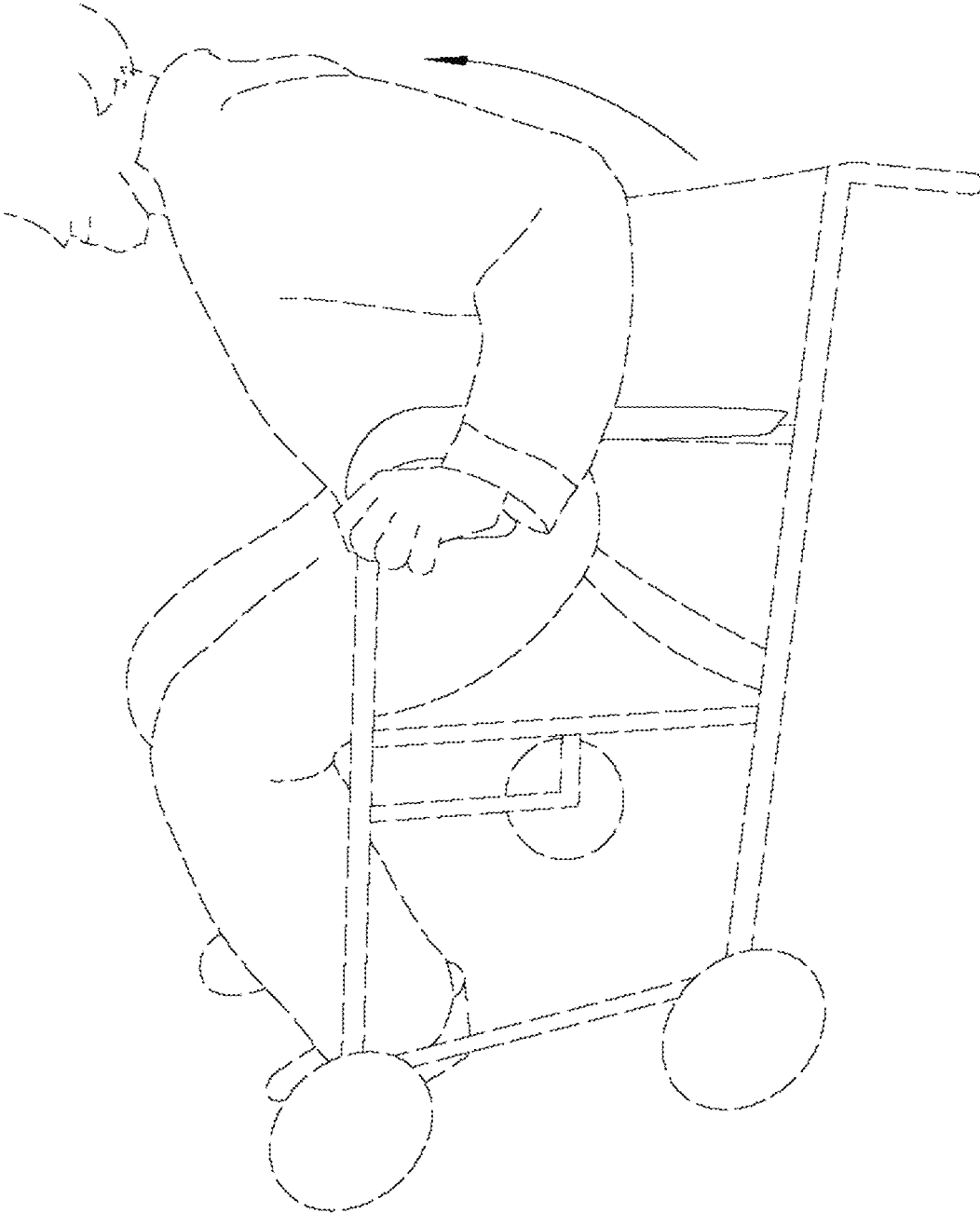


FIG. 12