



US00D652559S

(12) **United States Design Patent**
Beghelli

(10) **Patent No.:** **US D652,559 S**

(45) **Date of Patent:** **** Jan. 17, 2012**

(54) **LIGHTING APPLIANCE**

(75) Inventor: **Gian Pietro Beghelli**, Monteveglio (IT)

(73) Assignee: **Beghelli S.p.A.**, Monteveglio (IT)

(**) Term: **14 Years**

(21) Appl. No.: **29/370,202**

(22) Filed: **Jun. 15, 2010**

(30) **Foreign Application Priority Data**

Dec. 22, 2009 (EM) 1650912-0002

(51) **LOC (9) Cl.** **26-05**

(52) **U.S. Cl.** **D26/74**

(58) **Field of Classification Search** D26/24,
D26/72, 74, 80, 81, 83, 85, 88, 61, 63, 118;
362/576, 89, 145, 147, 148, 150, 151, 152,
362/153, 153.1, 294, 296.01, 311.02, 311.07,
362/364, 365, 366, 373

See application file for complete search history.

(56) **References Cited**

U.S. PATENT DOCUMENTS

D300,866 S *	4/1989	Macaluso	D26/28
D307,059 S *	4/1990	Szymanek	D26/74
D312,842 S *	12/1990	Younger et al.	D20/42
D320,863 S *	10/1991	Macaluso	D26/29
D343,915 S *	2/1994	Baader et al.	D26/28
D400,281 S *	10/1998	Kerr	D26/74
D456,932 S *	5/2002	Crosby	D26/85

D570,518 S *	6/2008	Haimov	D26/74
D581,084 S *	11/2008	Kawaguchi et al.	D26/74
D602,624 S *	10/2009	Kawaguchi et al.	D26/74
D612,958 S *	3/2010	Uemoto et al.	D26/24
D630,777 S *	1/2011	Lee	D26/24

* cited by examiner

Primary Examiner — Angela J Lee

(74) *Attorney, Agent, or Firm* — Hedman & Costigan, P.C.;
James V. Costigan

(57) **CLAIM**

The ornamental design for a lighting appliance, as shown and described.

DESCRIPTION

FIG. 1 is a perspective view of a lighting appliance according to the present application;

FIG. 2 is a top view of the lighting appliance according to the present application;

FIG. 3 is a bottom view of the lighting appliance according to the present application;

FIG. 4 is a front view of the lighting appliance according to the present application;

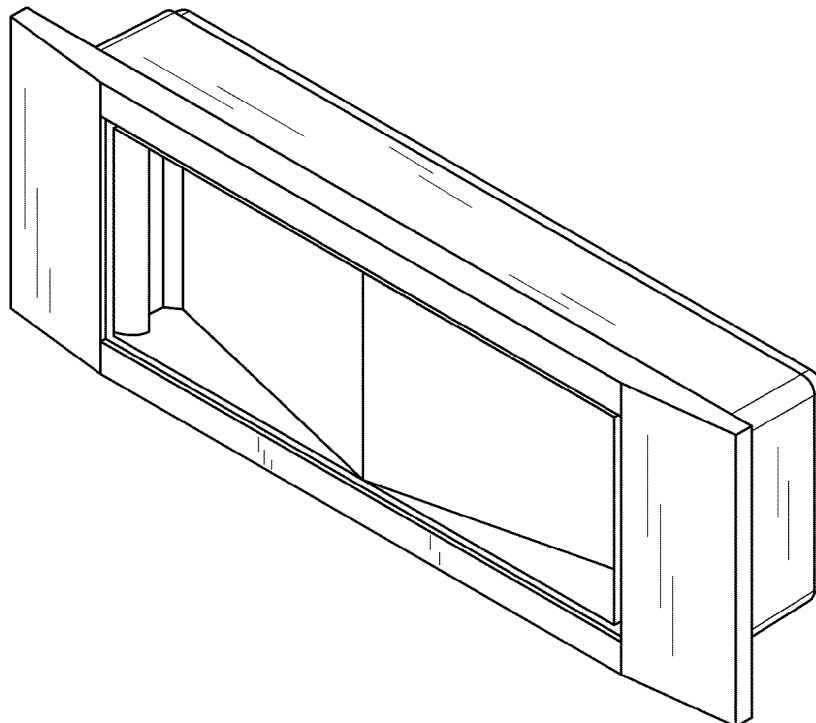
FIG. 5 is a right side view of the lighting appliance according to the present application;

FIG. 6 is a left side view of the lighting appliance according to the present application; and,

FIG. 7 is a back view of the lighting appliance according to the present application.

The broken lines of FIG. 3 are for the purpose of illustrating a part of the lighting apparatus and form no part of the claimed design.

1 Claim, 3 Drawing Sheets



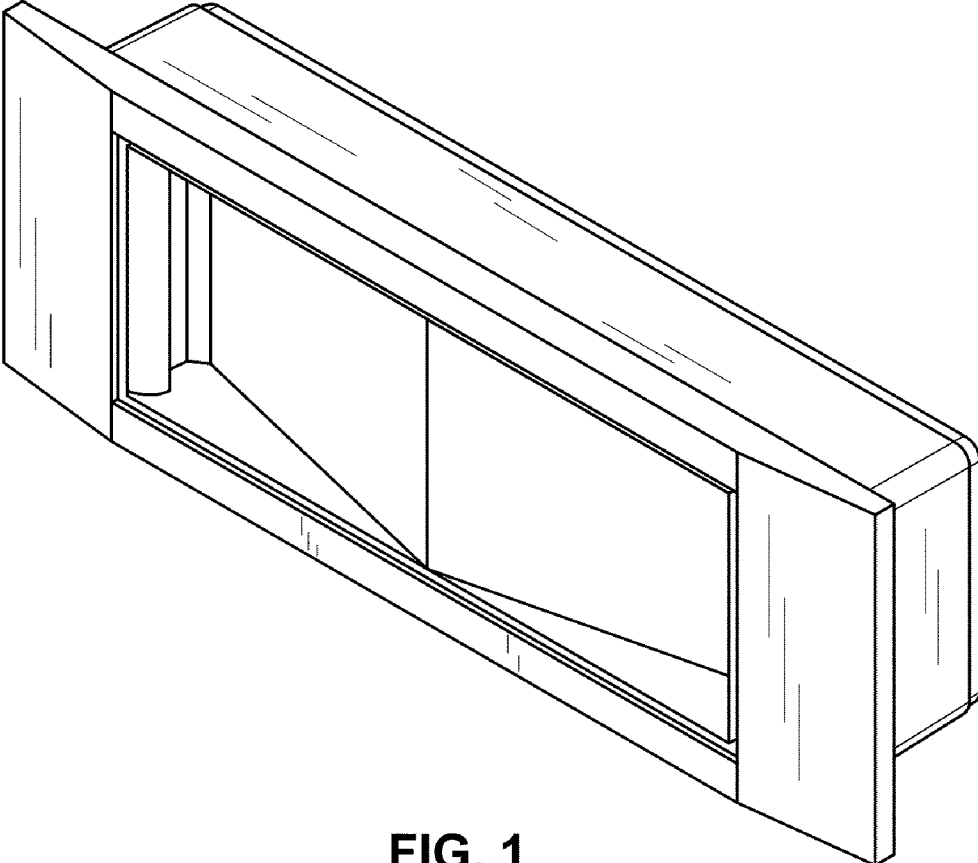


FIG. 1

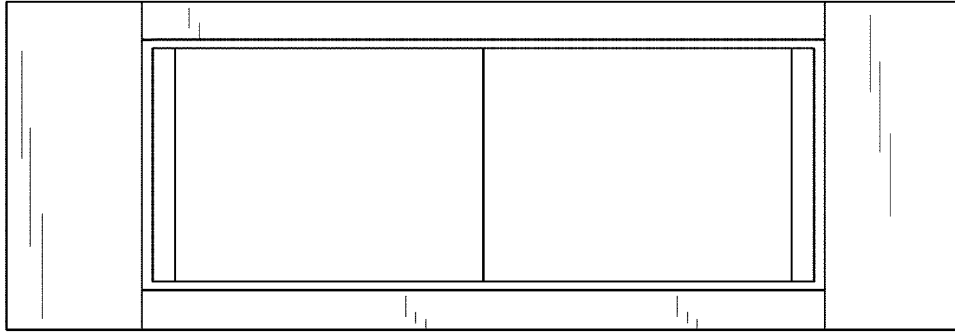


FIG. 2

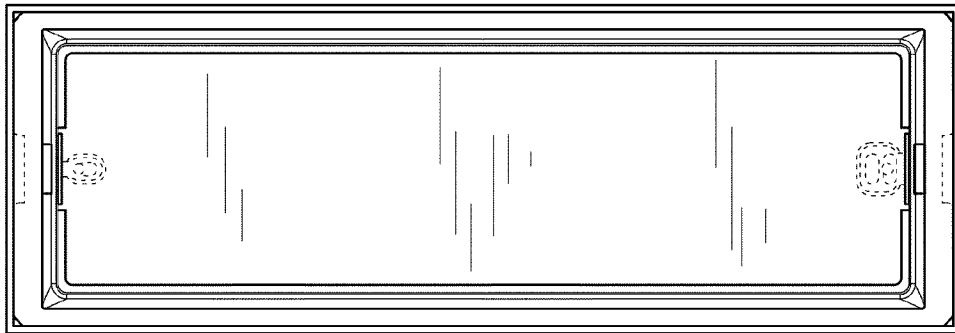


FIG. 3

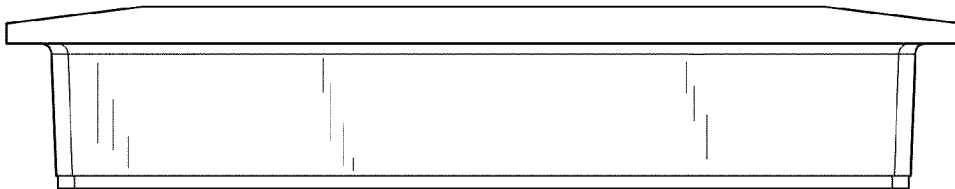


FIG. 4

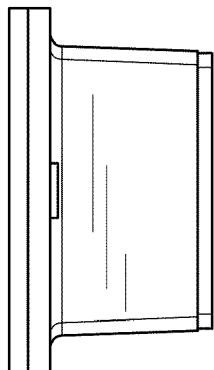


FIG. 5

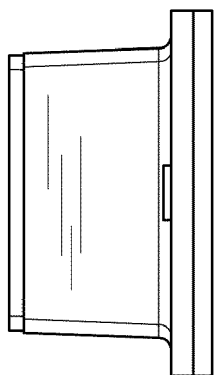


FIG. 6

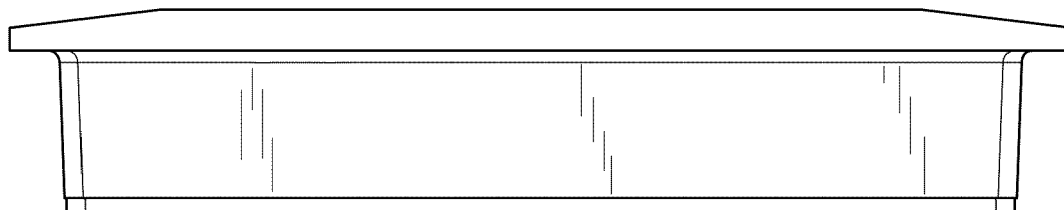


FIG. 7