



(12) **United States Design Patent**  
**Yeager**

(10) **Patent No.:** **US D880,290 S**  
(45) **Date of Patent:** **\*\* Apr. 7, 2020**

- (54) **POURABLE PRODUCT CONTAINER**
- (71) Applicant: **Northwestern University**, Evanston, IL (US)
- (72) Inventor: **Loren Elizabeth Yeager**, Winnetka, IL (US)
- (73) Assignee: **Northwestern University**, Evanston, IL (US)
- (\*\*) Term: **15 Years**

8,651,365 B2 \* 2/2014 Lymn ..... B65D 77/067  
220/212.5  
D713,193 S \* 9/2014 English ..... D7/306  
D785,448 S \* 5/2017 Wolf ..... A47G 19/2272  
D9/414  
9,758,285 B2 \* 9/2017 Brooks ..... B65D 77/068  
D808,703 S \* 1/2018 Saadeh ..... D7/306  
D830,789 S \* 10/2018 Brooks ..... D9/418  
10,118,751 B2 \* 11/2018 Couvillon ..... B65D 77/065

\* cited by examiner

*Primary Examiner* — Sandra L Morris

(74) *Attorney, Agent, or Firm* — Banner & Witcoff, Ltd.

- (21) Appl. No.: **29/660,761**
- (22) Filed: **Aug. 22, 2018**
- (51) **LOC (12) Cl.** ..... **09-03**
- (52) **U.S. Cl.**  
USPC ..... **D9/417; D7/313**
- (58) **Field of Classification Search**  
USPC ..... D9/414–434, 439–440; D7/300, 306,  
D7/313, 322  
See application file for complete search history.

(57) **CLAIM**

The ornamental design for a “pourable product container”, substantially as shown and described.

**DESCRIPTION**

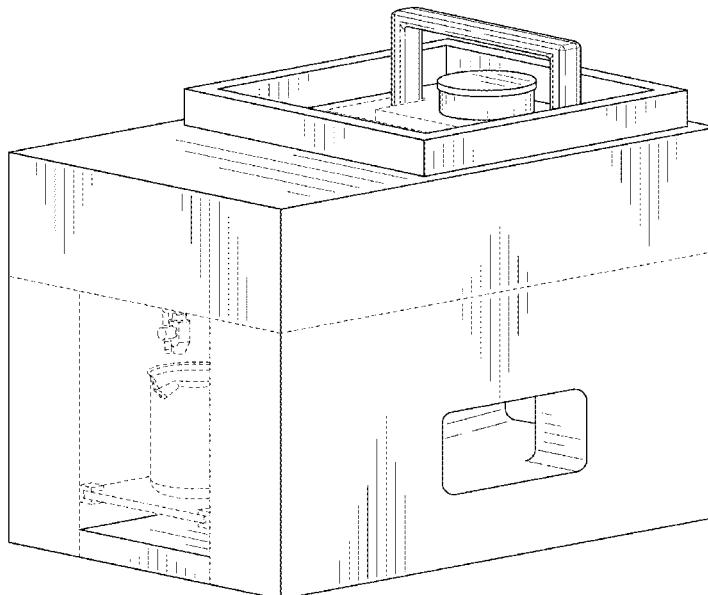
FIG. 1 is a perspective view of a pourable product container.  
FIG. 2 is a first side view of the pourable product container of FIG. 1.  
FIG. 3 is a second side view of the pourable product container of FIG. 1.  
FIG. 4 is a rear view of the pourable product container of FIG. 1.  
FIG. 5 is a front view of the pourable product container of FIG. 1.  
FIG. 6 is a top view of the pourable product container of FIG. 1.  
FIG. 7 is a bottom view of the pourable product container of FIG. 1; and,  
FIG. 8 is a sectional view of the pourable product container of FIG. 1 showing a portion of an interior of the pourable product container.  
The broken lines immediately adjacent to the shaded area define the bounds of the claimed design and form no part thereof.

(56) **References Cited**

U.S. PATENT DOCUMENTS

120,259	A	10/1871	Gee	
1,945,797	A	2/1934	Bach et al.	
D249,701	S *	9/1978	Maples	D7/313
D331,683	S *	12/1992	Koester	D9/432
D403,916	S *	1/1999	Le	B65D 77/068
				D7/313
D403,917	S *	1/1999	Le	D7/322
5,950,857	A *	9/1999	Rosen	A47G 19/2272
				220/23.83
D415,383	S *	10/1999	Le	D7/306
D447,686	S *	9/2001	Cattell	B65D 77/067
				D9/417
D502,360	S *	3/2005	Kautz	D9/447
D690,203	S	9/2013	Hall et al.	

**1 Claim, 8 Drawing Sheets**



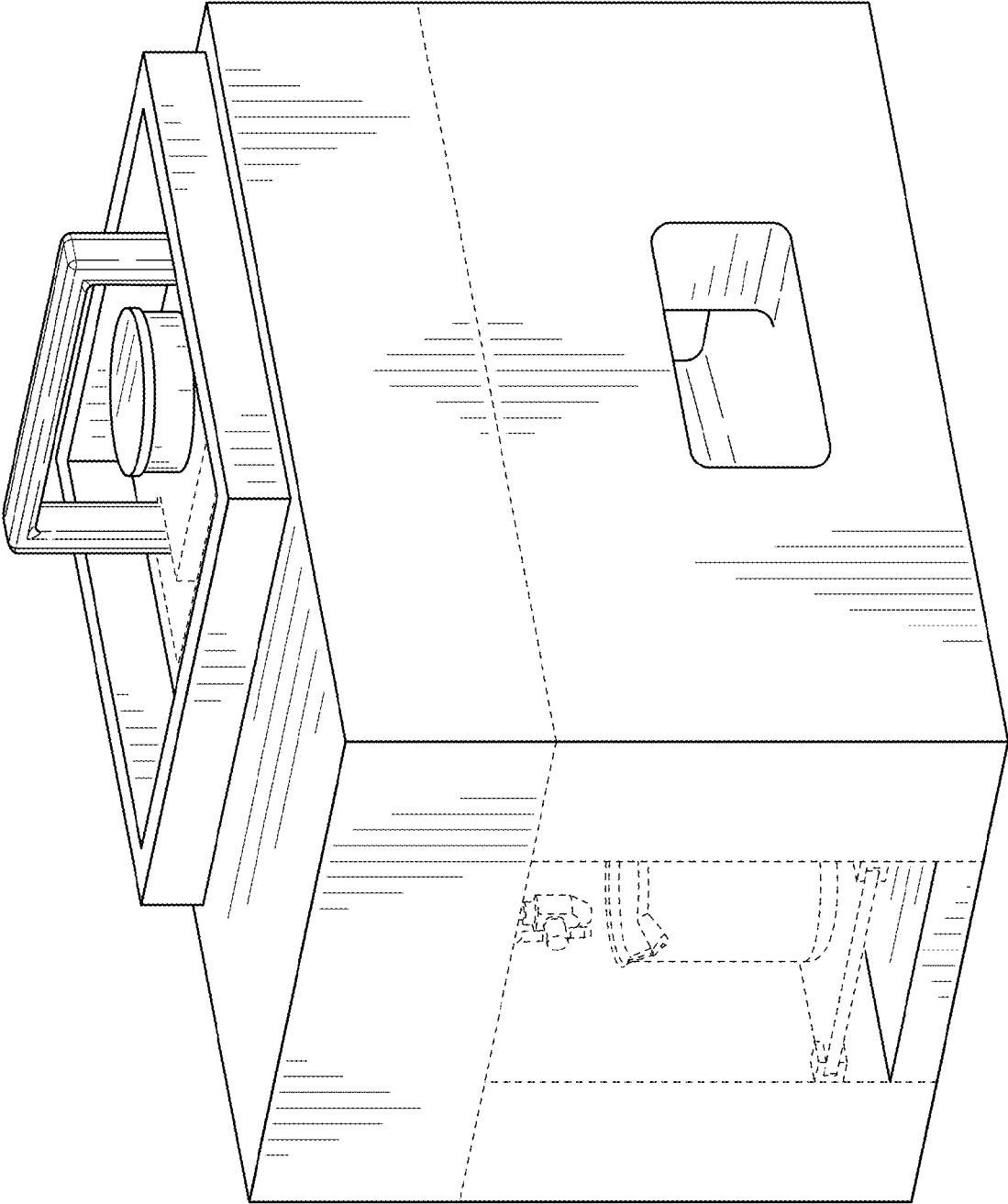


FIG. 1

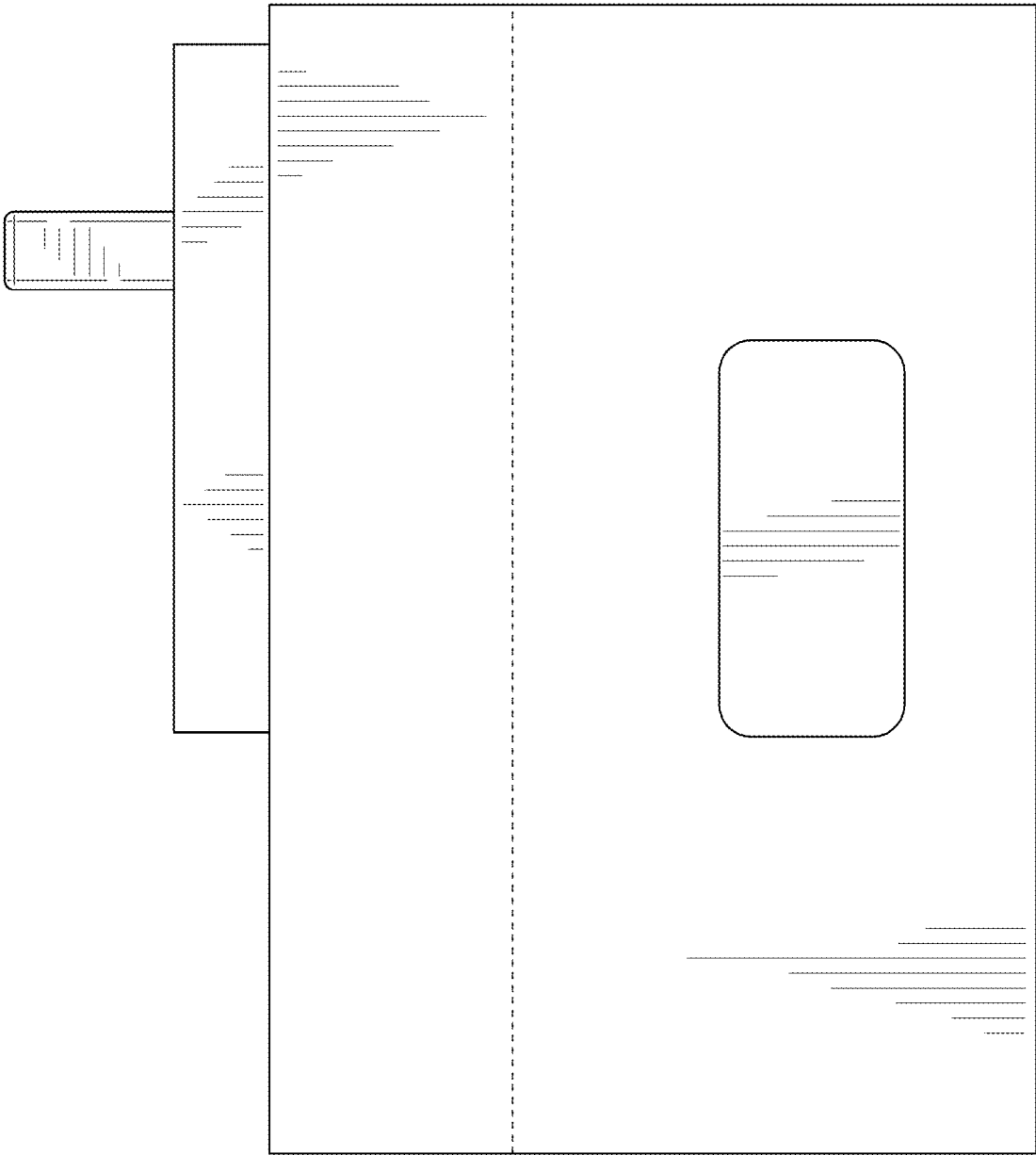


FIG. 2

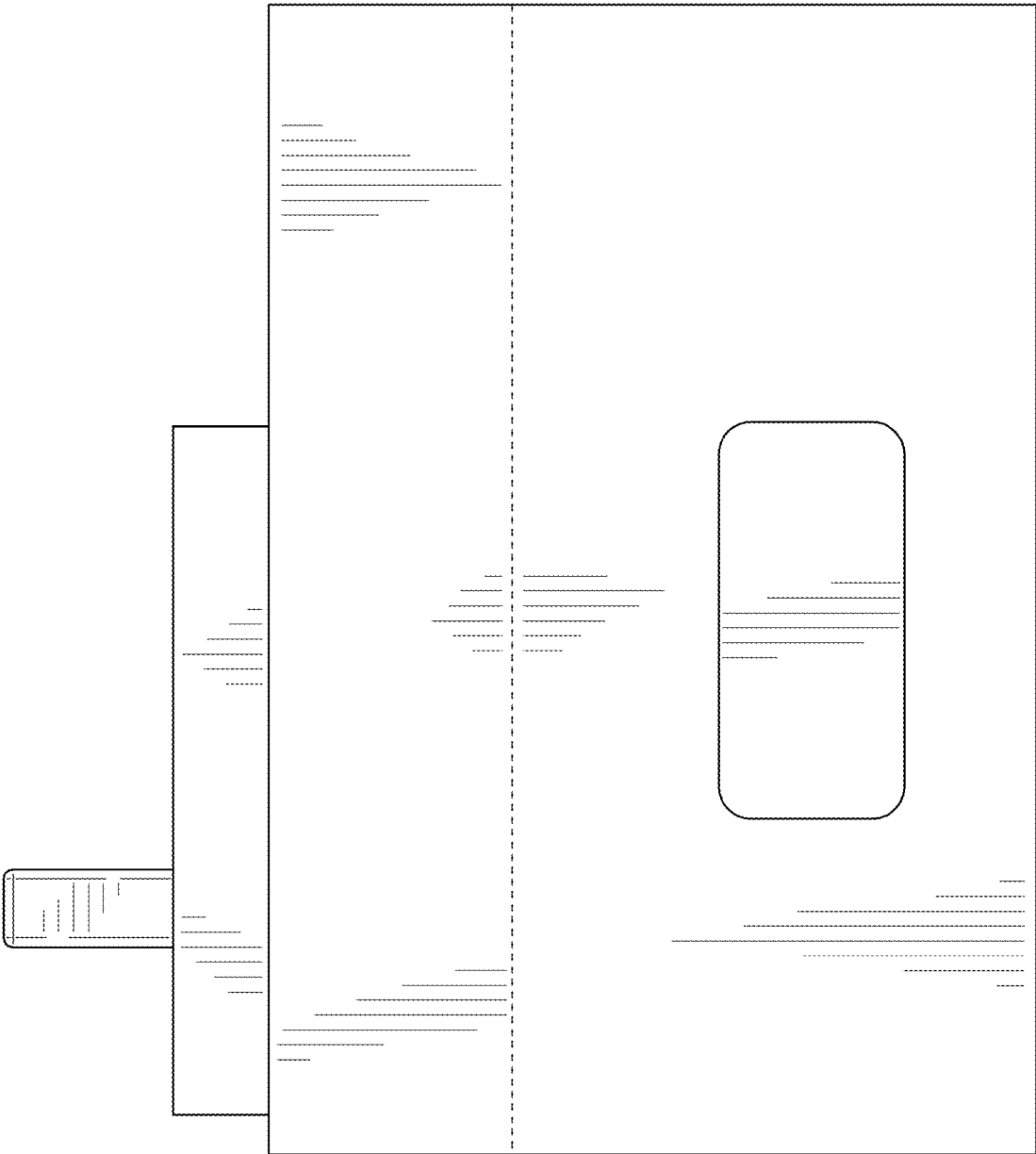


FIG. 3

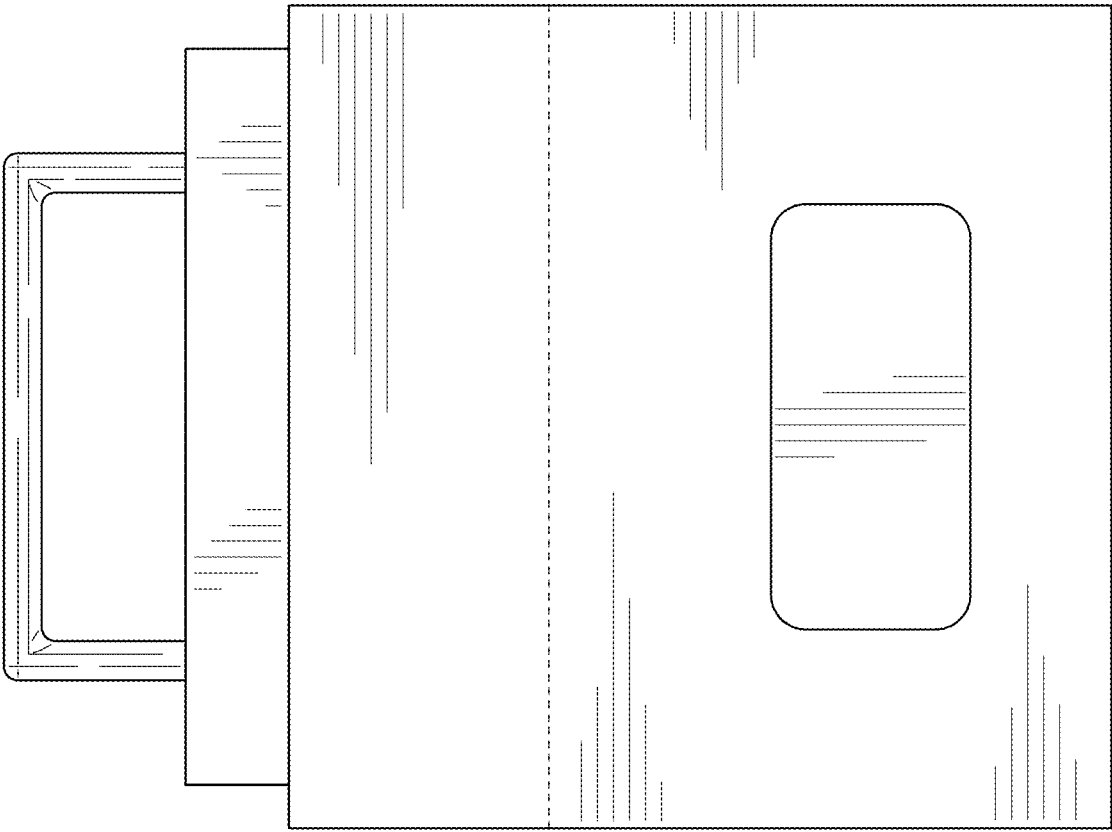


FIG. 4

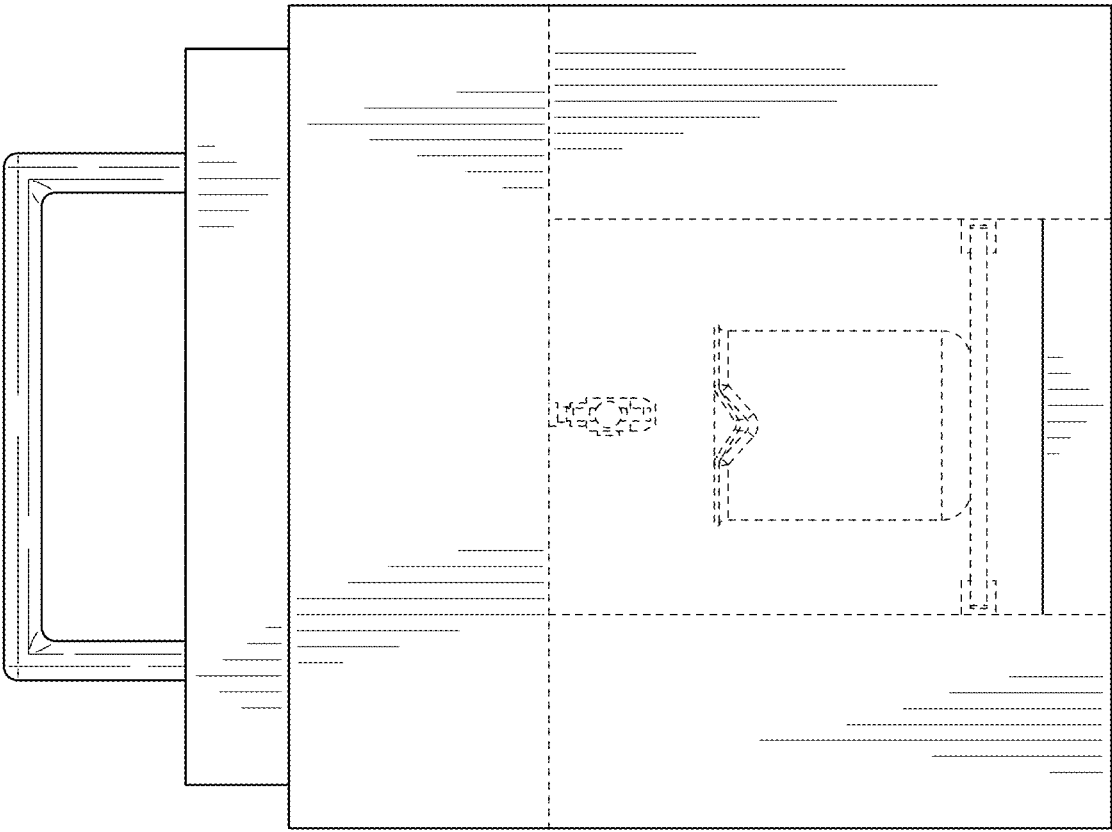


FIG. 5

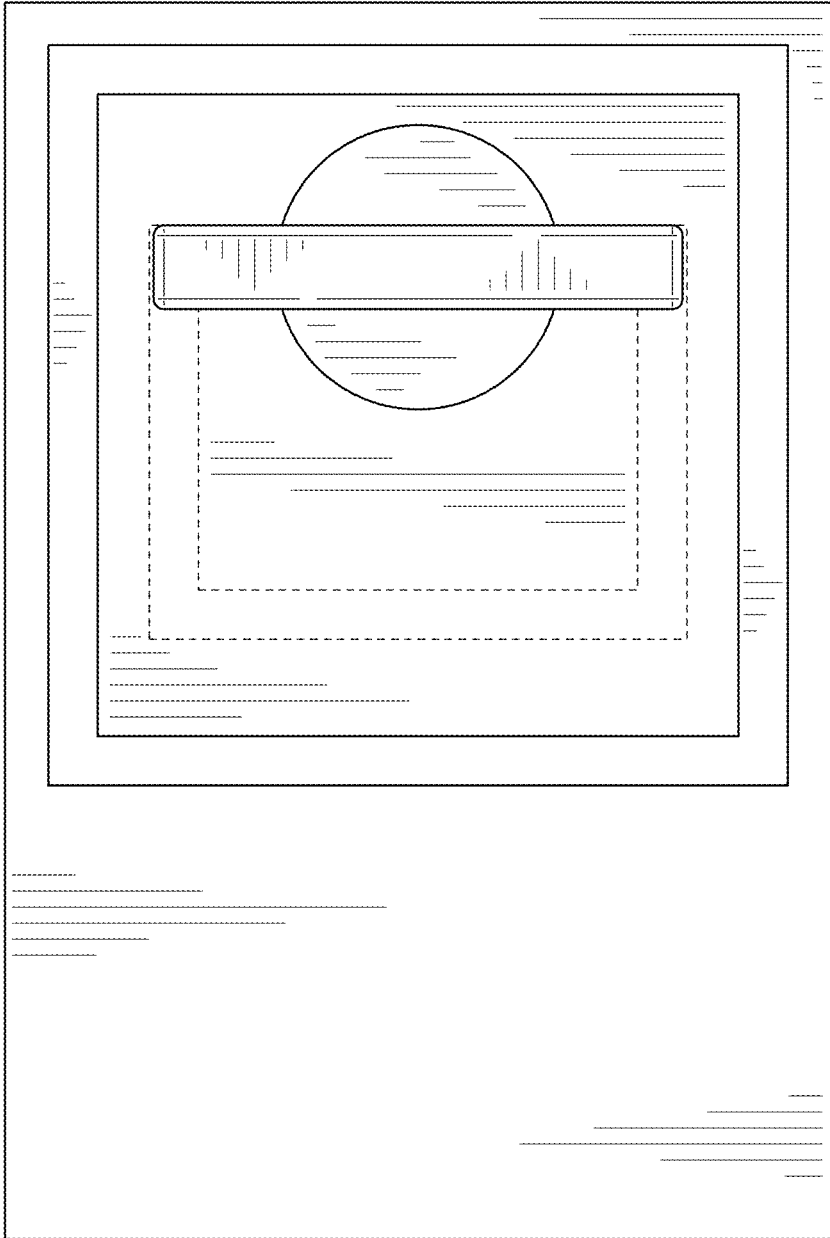


FIG. 6

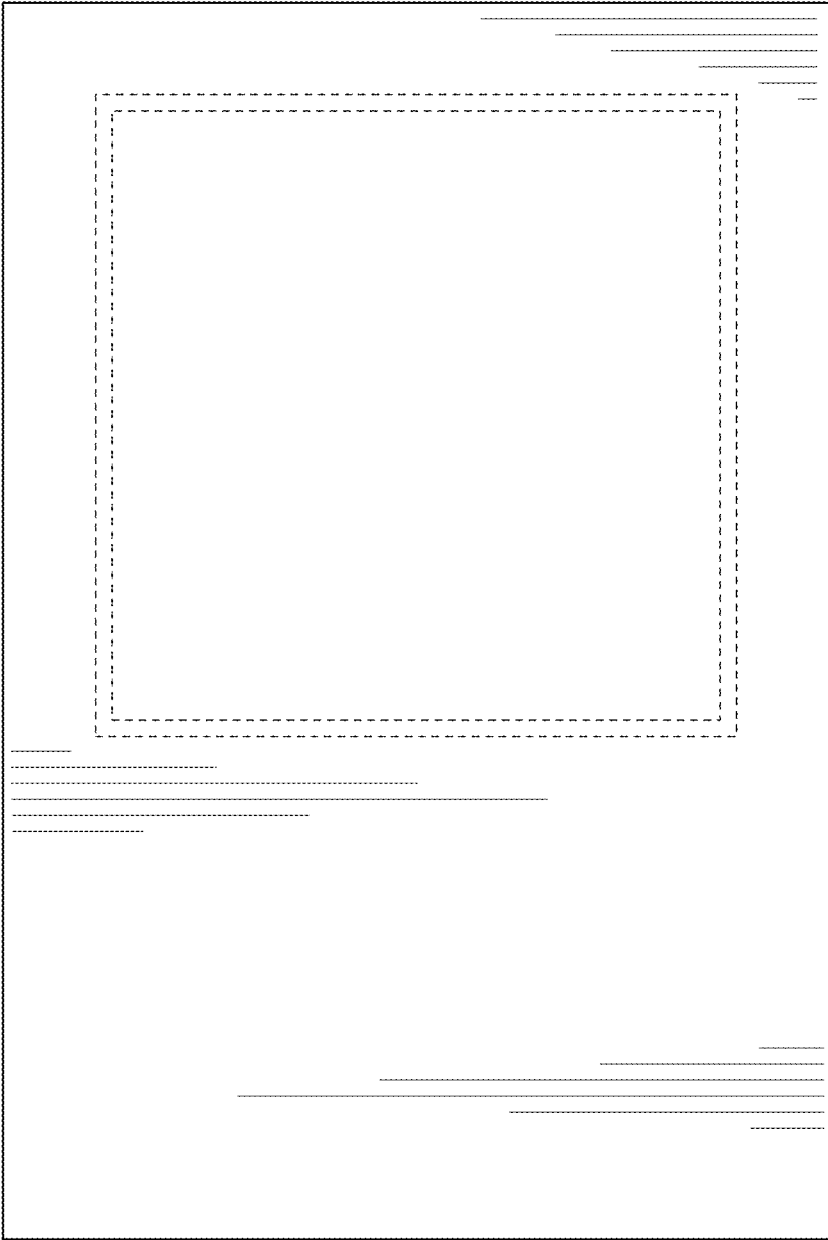


FIG. 7



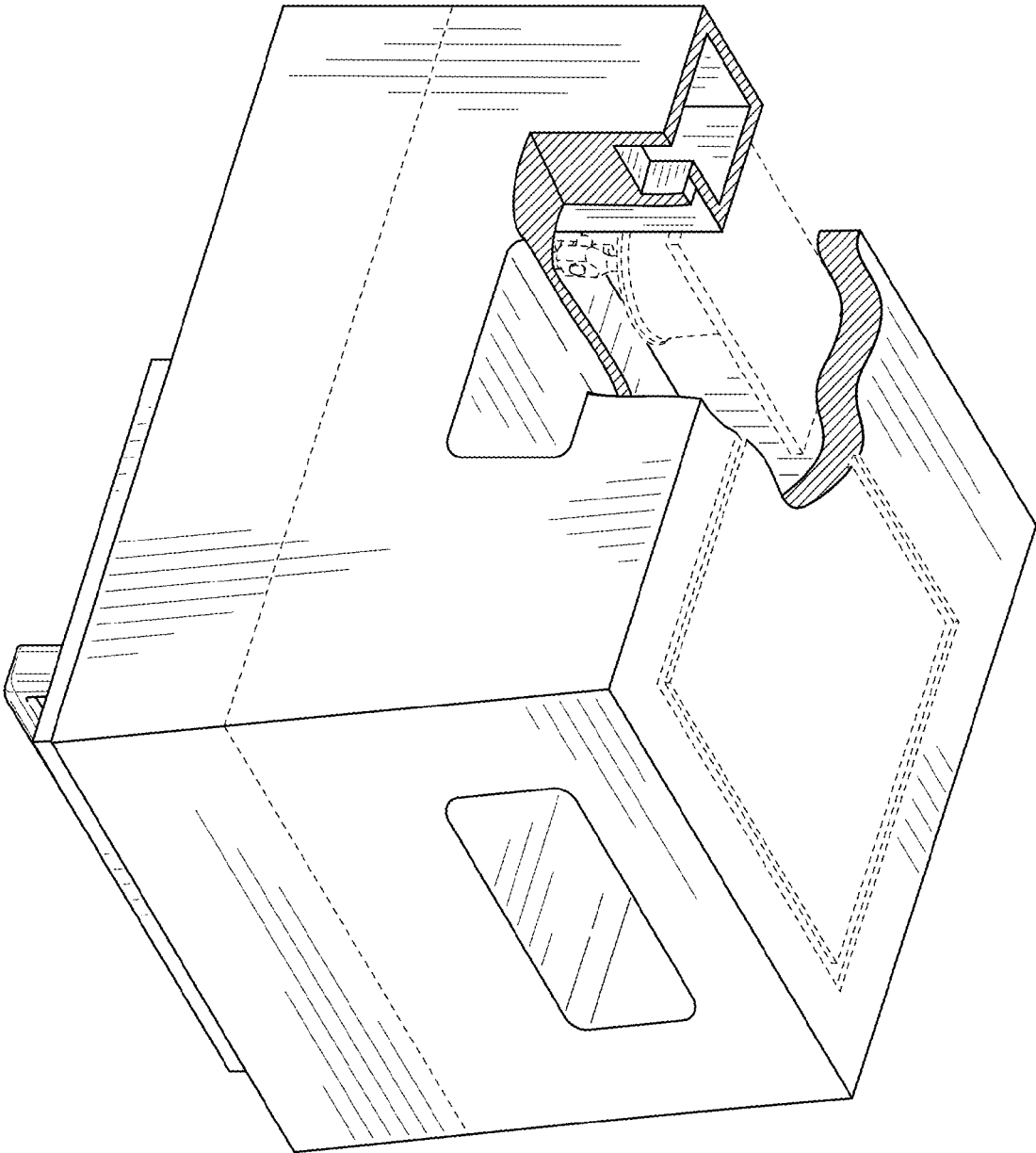


FIG. 8