



US00D685351S

(12) **United States Design Patent**  
**Morimoto**

(10) **Patent No.:** **US D685,351 S**

(45) **Date of Patent:** **\*\* Jul. 2, 2013**

(54) **EARPHONE**

(75) Inventor: **So Morimoto**, Tokyo (JP)

(73) Assignee: **Sony Corporation**, Tokyo (JP)

(\*\*) Term: **14 Years**

(21) Appl. No.: **29/421,615**

(22) Filed: **Aug. 23, 2012**

(30) **Foreign Application Priority Data**

Feb. 28, 2012 (CN) ..... 2012 3 0040515  
Jun. 27, 2012 (JP) ..... D2012-015236

(51) **LOC (9) Cl.** ..... **14-01**

(52) **U.S. Cl.**  
USPC ..... **D14/223**

(58) **Field of Classification Search**  
USPC ..... D14/205, 206, 223; 181/129, 130,  
181/135; 379/430, 431; 381/380, 381, 322;  
128/864, 865; D16/219, 235; 455/90.3, 575.2  
See application file for complete search history.

(56) **References Cited**

**U.S. PATENT DOCUMENTS**

D377,796 S	2/1997	Hayashi	
D564,495 S *	3/2008	Sasaki	D14/205
D586,332 S *	2/2009	Ewert et al.	D14/223
D587,247 S *	2/2009	Densho	D14/223
D587,248 S *	2/2009	Densho	D14/223
D587,249 S	2/2009	Densho	

D627,766 S *	11/2010	Arimoto	D14/223
D629,793 S *	12/2010	Goransson	D14/223
D635,558 S *	4/2011	Zheng	D14/223
D648,328 S	11/2011	Morimoto	
D656,489 S	3/2012	Kumagai et al.	
D662,086 S	6/2012	Komiyama	
D668,631 S *	10/2012	Katsumata et al.	D14/205
D670,274 S *	11/2012	Katsumata et al.	D14/223
8,331,594 B2 *	12/2012	Brimhall et al.	381/322

\* cited by examiner

*Primary Examiner* — Paula Greene

(74) *Attorney, Agent, or Firm* — Rader, Fishman & Grauer PLLC

(57) **CLAIM**

The ornamental design for an earphone, as shown and described.

**DESCRIPTION**

FIG. 1 is a rear, top, right perspective view thereof; FIG. 2 is a front, top, right perspective view thereof; FIG. 3 is a rear, top, left perspective view thereof; FIG. 4 is a front, top, left perspective view thereof; FIG. 5 is a front elevational view thereof; FIG. 6 is a rear elevational view thereof; FIG. 7 is a left side elevational view thereof; FIG. 8 is a right side elevational view thereof; FIG. 9 is a top plan view thereof; and, FIG. 10 is a bottom plan view thereof. Portions in broken lines are for illustrative purpose only and form no part of the claimed design.

**1 Claim, 10 Drawing Sheets**

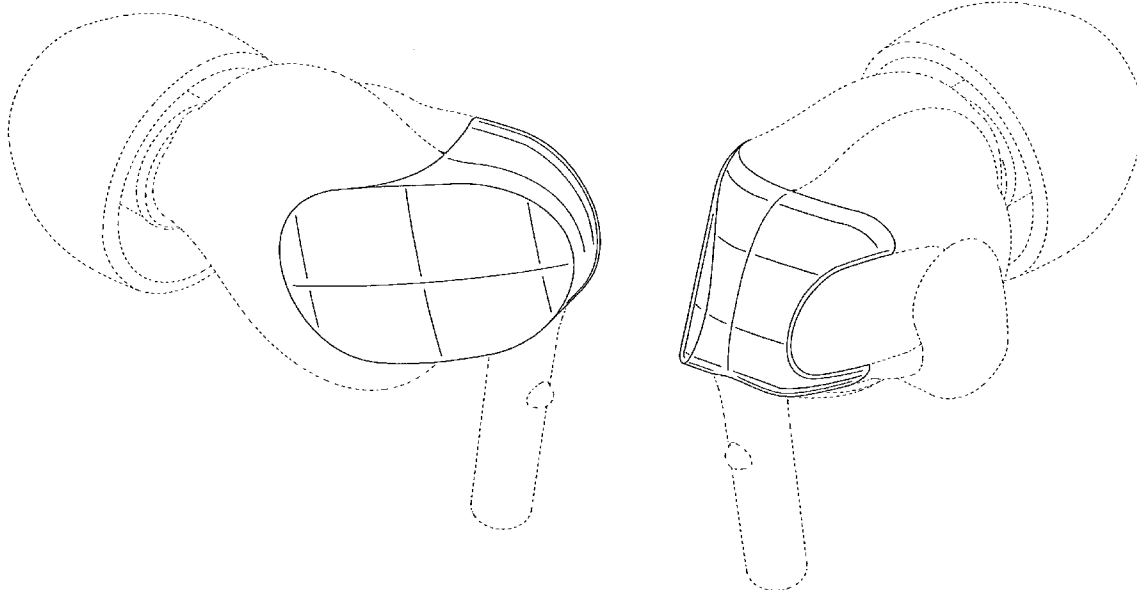


FIG.1

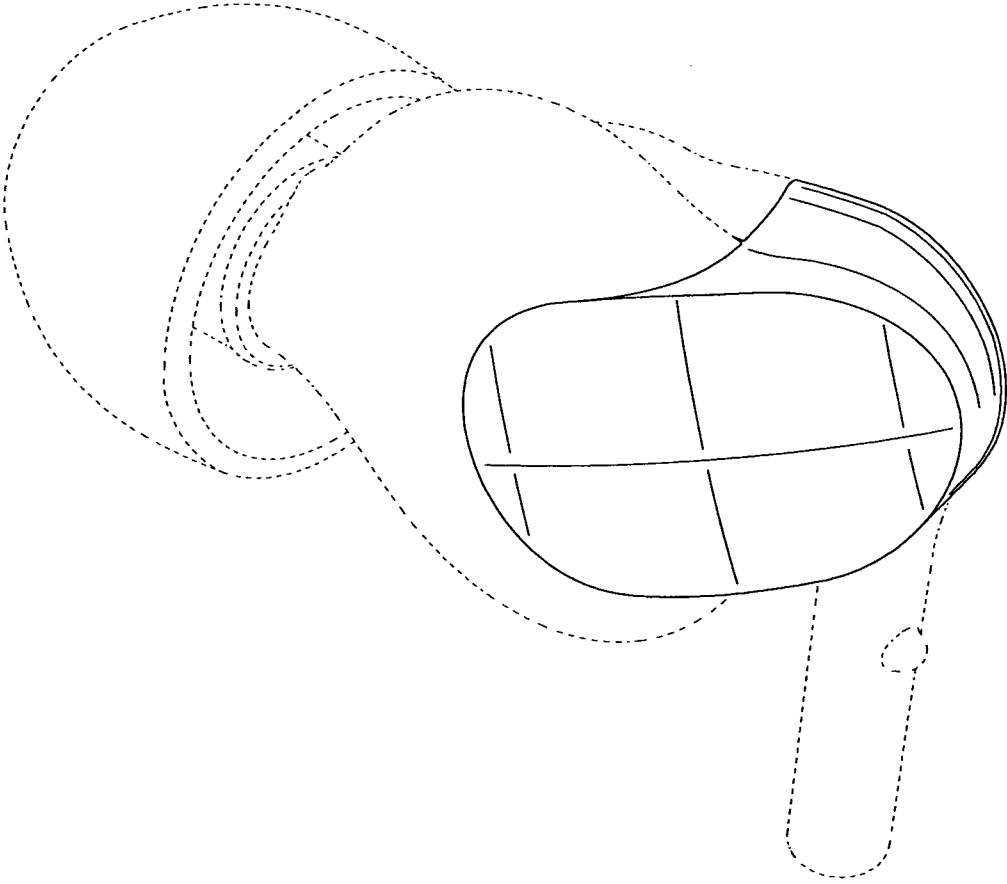


FIG.2

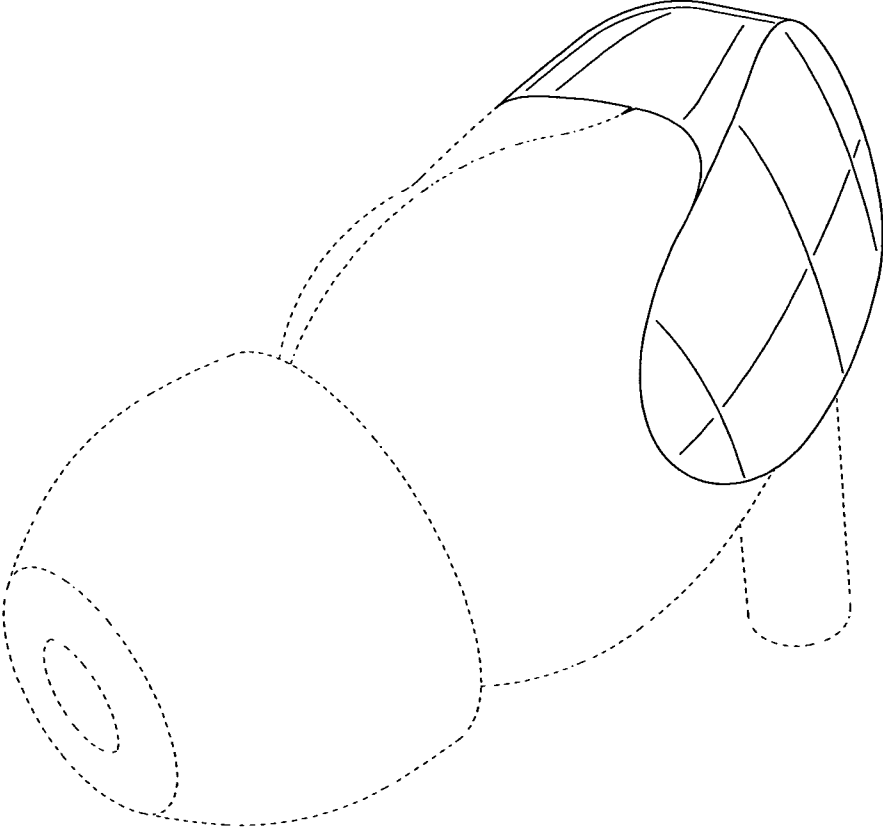


FIG.3

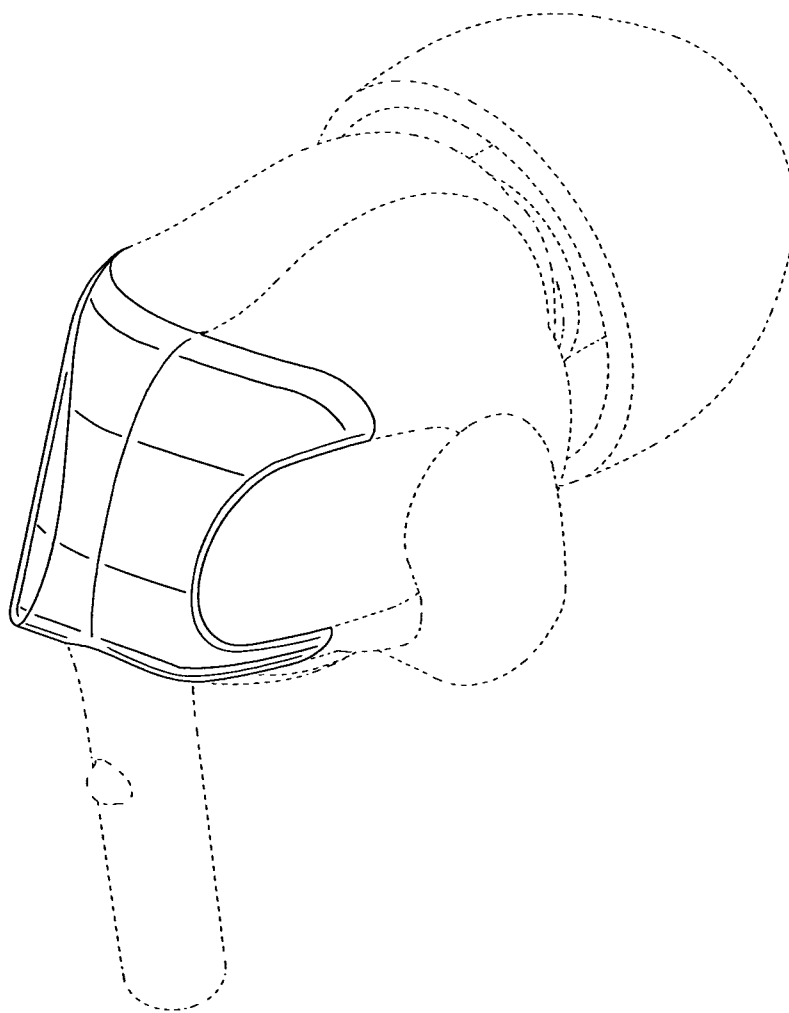


FIG.4

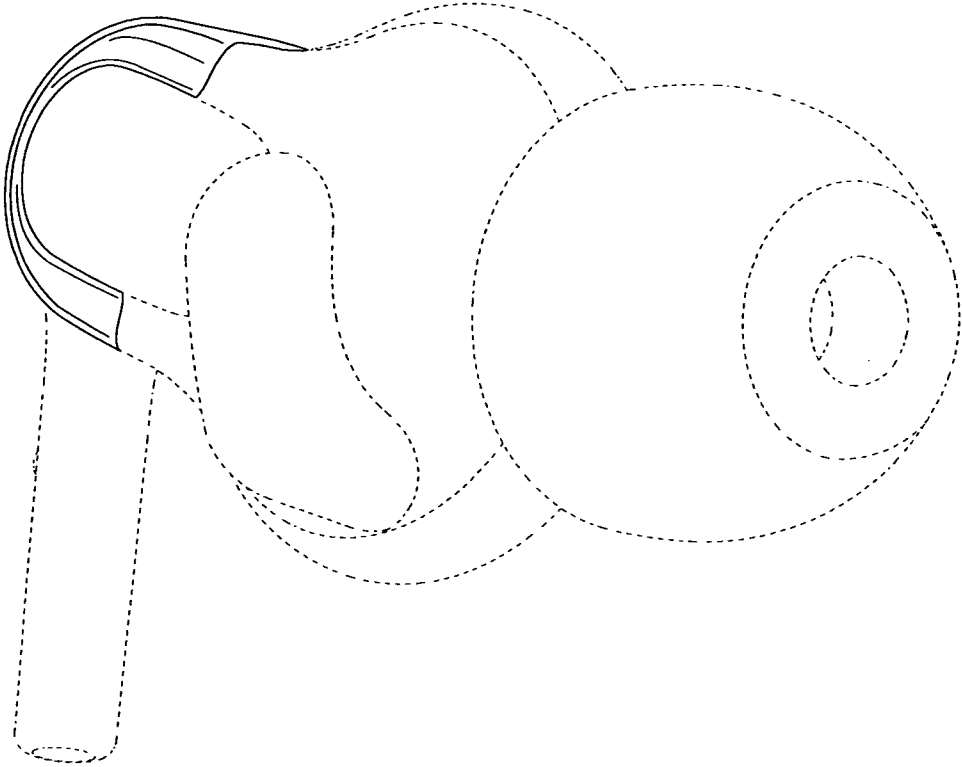


FIG.5

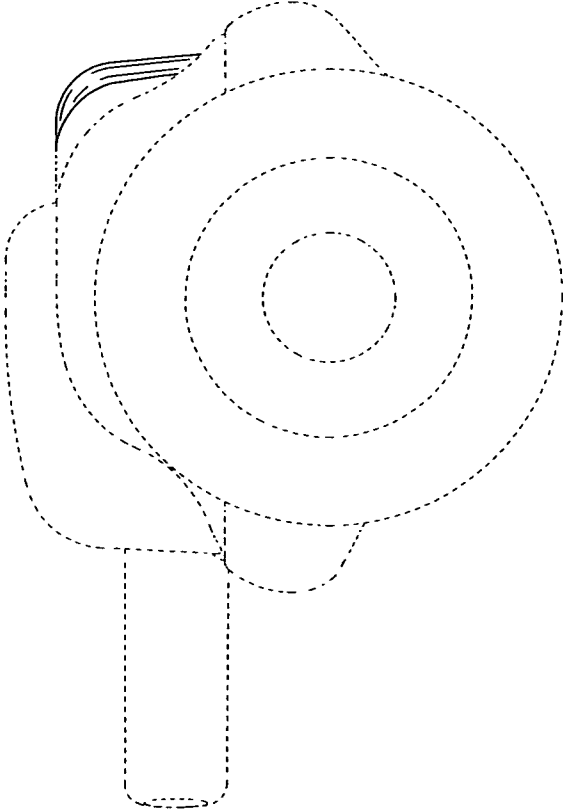


FIG.6

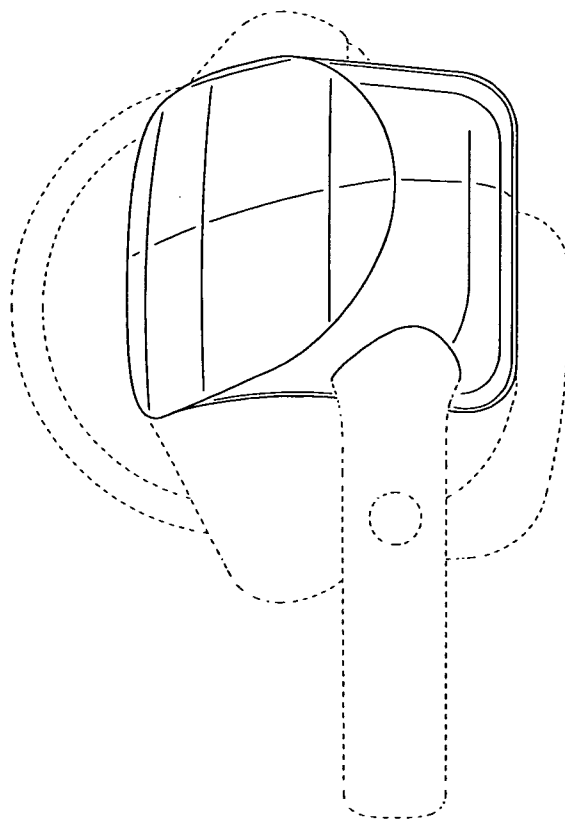


FIG.7

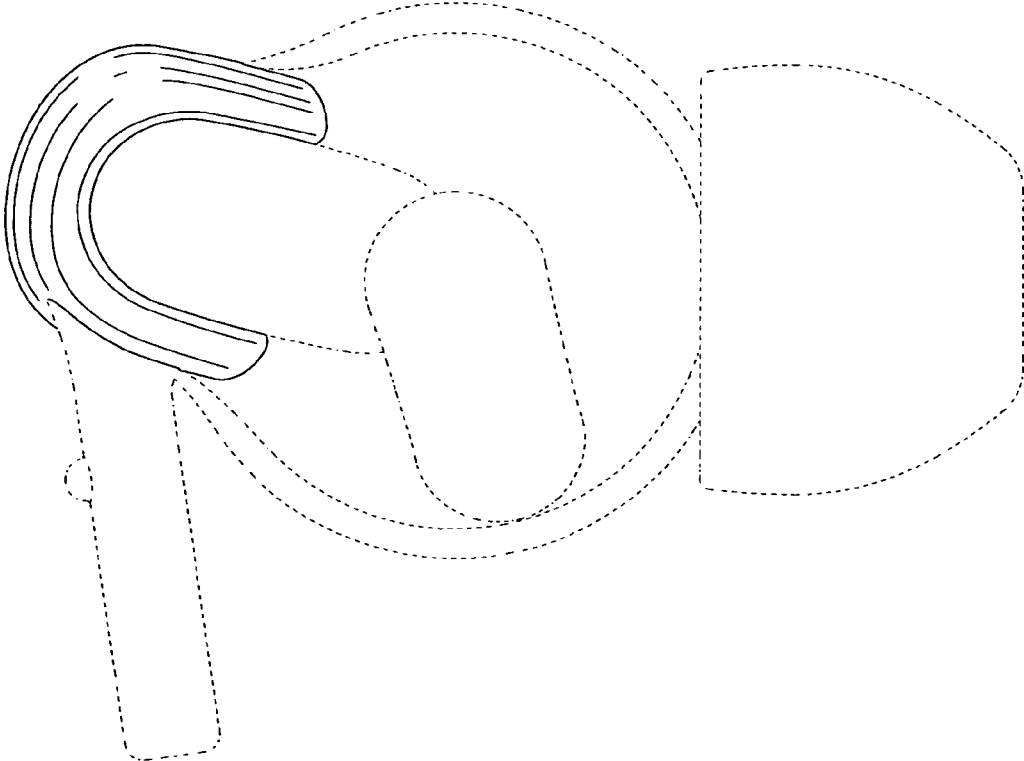




FIG.8

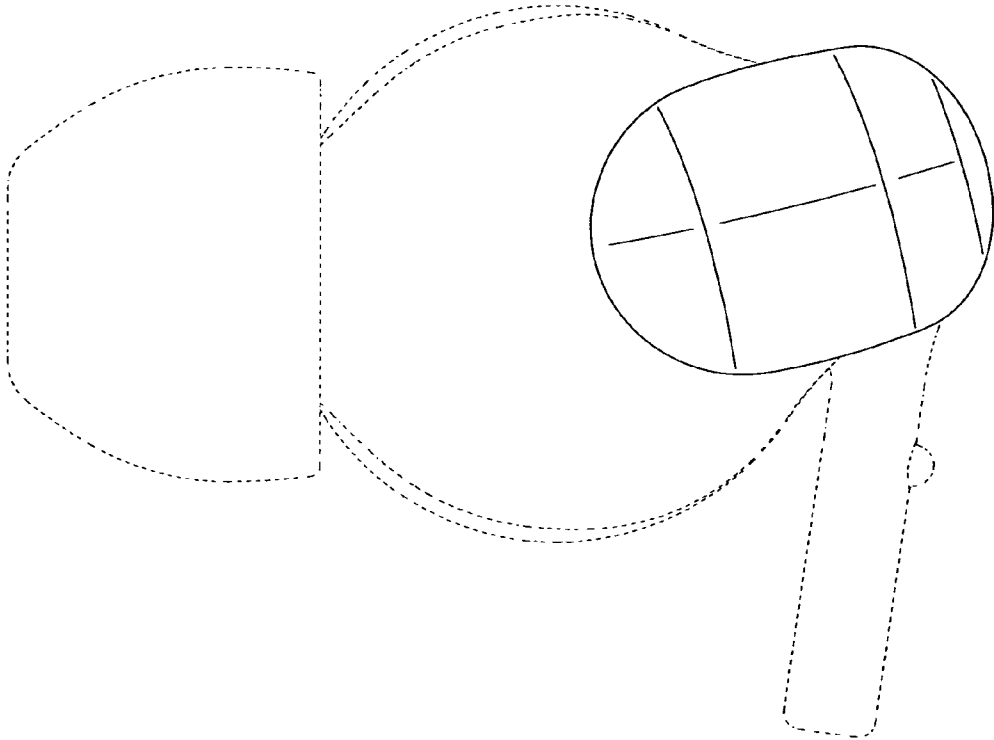


FIG.9

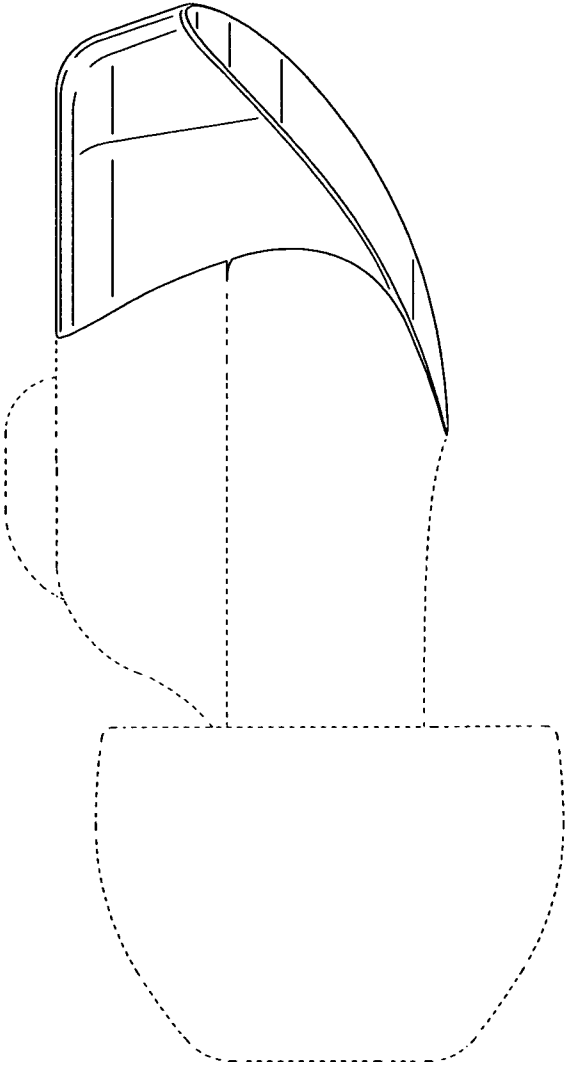


FIG.10

