



- (51) International Patent Classification:
G06Q 50/00 (2012.01) G06Q 90/00 (2006.01)
- (21) International Application Number:
PCT/US2015/017617
- (22) International Filing Date:
26 February 2015 (26.02.2015)
- (25) Filing Language: English
- (26) Publication Language: English
- (30) Priority Data:
14/194,651 28 February 2014 (28.02.2014) US
- (71) Applicant: MICROSOFT TECHNOLOGY LICENSING, LLC [US/US]; One Microsoft Way, Redmond, Washington 98052-6399 (US).
- (72) Inventors: SHAH, Viral; c/o Microsoft Technology Licensing, LLC, LCA - International Patents (8/1172), One Microsoft Way, Redmond, Washington 98052-6399 (US). HERSTAD, Berit; c/o Microsoft Technology Licensing, LLC, LCA - International Patents (8/1172), One Microsoft Way, Redmond, Washington 98052-6399 (US). JASSAL, Vikramjeet Singh; c/o Microsoft Technology Licensing, LLC, LCA - International Patents (8/1172), One Microsoft Way, Redmond, Washington 98052-6399 (US). KEMPTON, Alexander; c/o Microsoft Technology Licensing, LLC, LCA - International Patents (8/1172), One Microsoft Way, Redmond, Washington 98052-6399 (US). SØRENSEN, Ståle; c/o Microsoft Technology Licensing, LLC, LCA - International Patents (8/1172), One Microsoft

Way, Redmond, Washington 98052-6399 (US). RASMUSSEN, Sveinar; c/o Microsoft Technology Licensing, LLC, LCA - International Patents (8/1172), One Microsoft Way, Redmond, Washington 98052-6399 (US). DISTEL, Alexander; c/o Microsoft Technology Licensing, LLC, LCA - International Patents (8/1172), One Microsoft Way, Redmond, Washington 98052-6399 (US). DOVEDAN, Zoran; c/o Microsoft Technology Licensing, LLC, LCA - International Patents (8/1172), One Microsoft Way, Redmond, Washington 98052-6399 (US). DIJAN, Ivan; c/o Microsoft Technology Licensing, LLC, LCA - International Patents (8/1172), One Microsoft Way, Redmond, Washington 98052-6399 (US).

(81) Designated States (unless otherwise indicated, for every kind of national protection available): AE, AG, AL, AM, AO, AT, AU, AZ, BA, BB, BG, BH, BN, BR, BW, BY, BZ, CA, CH, CL, CN, CO, CR, CU, CZ, DE, DK, DM, DO, DZ, EC, EE, EG, ES, FI, GB, GD, GE, GH, GM, GT, HN, HR, HU, ID, IL, IN, IR, IS, JP, KE, KG, KN, KP, KR, KZ, LA, LC, LK, LR, LS, LU, LY, MA, MD, ME, MG, MK, MN, MW, MX, MY, MZ, NA, NG, NI, NO, NZ, OM, PA, PE, PG, PH, PL, PT, QA, RO, RS, RU, RW, SA, SC, SD, SE, SG, SK, SL, SM, ST, SV, SY, TH, TJ, TM, TN, TR, TT, TZ, UA, UG, US, UZ, VC, VN, ZA, ZM, ZW.

(84) Designated States (unless otherwise indicated, for every kind of regional protection available): ARIPO (BW, GH, GM, KE, LR, LS, MW, MZ, NA, RW, SD, SL, ST, SZ, TZ, UG, ZM, ZW), Eurasian (AM, AZ, BY, KG, KZ, RU, TJ, TM), European (AL, AT, BE, BG, CH, CY, CZ, DE, DK, EE, ES, FI, FR, GB, GR, HR, HU, IE, IS, IT, LT, LU,

[Continued on next page]

(54) Title: DISPLAYING AND NAVIGATING IMPLICIT AND EXPLICIT ENTERPRISE PEOPLE RELATIONSHIPS

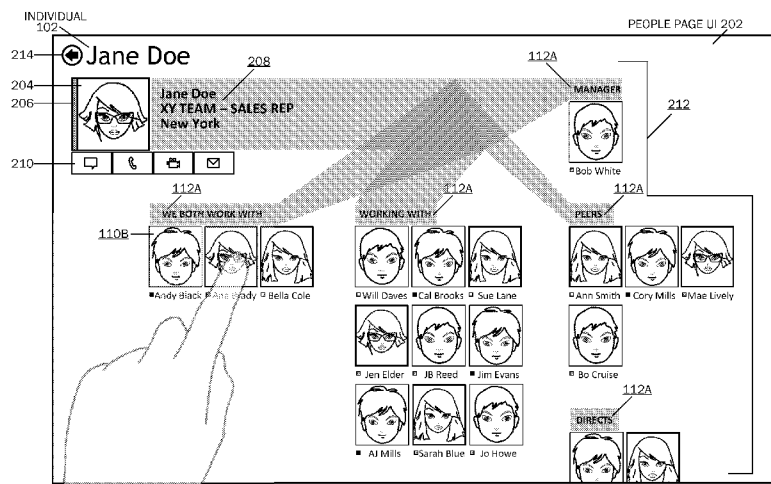


FIG. 2

(57) Abstract: A network map of an individual's implicit and explicit people relationships across multiple workloads is provided. Relationships between people may be leveraged and ranking for people relationships may be performed based on activities across multiple workloads. People relationships may be displayed in the network map to provide a visual understanding of relationships and connections. Navigation to any person represented in the network map may be enabled, and commonalities in relationships between a navigating user and a given person navigated to in the network map may be exposed. Trending items and activity streams for a person or group of persons may be shown in the network map.

WO 2015/130861 A1

LV, MC, MK, MT, NL, NO, PL, PT, RO, RS, SE, SI, SK,
SM, TR), OAPI (BF, BJ, CF, CG, CI, CM, GA, GN, GQ,
GW, KM, ML, MR, NE, SN, TD, TG).

— *as to the applicant's entitlement to claim the priority of
the earlier application (Rule 4.17(iii))*

Declarations under Rule 4.17:

— *as to applicant's entitlement to apply for and be granted
a patent (Rule 4.17(ii))*

Published:

— *with international search report (Art. 21(3))*

DISPLAYING AND NAVIGATING IMPLICIT AND EXPLICIT ENTERPRISE PEOPLE RELATIONSHIPS

BACKGROUND

5 [0001] In a workplace, individuals are oftentimes connected through formalized groups as well as through activities across a variety of workloads. For example, individuals may share explicit relationships with other people according to an organizational structure (e.g., peers, managers, directs, etc.), and may share implicit relationships with others determined according to shared activities (e.g., direct
10 communication between individuals, individuals included on distribution lists together, meeting attendees, an individual following another person, an individual “liking” a document created by another person, etc.).

[0002] Oftentimes, people in a workplace may have trouble contextualizing and identifying who other people in the organization are. While a user may be acquainted with
15 another person in the organization, he/she may not know who the other person works with, who the other person’s colleagues are, who he/she and the other person have in common, etc.

[0003] A user may be able to go to a specific service (e.g., a traditional enterprise search, address book, web search, consumer service, etc.) to see activities related to an
20 individual or entity on a specific workload; however, it is oftentimes difficult for users to get an overview of an individual’s explicit and/or implicit people relationships across multiple workloads. It is with respect to these and other considerations that the present invention has been made.

SUMMARY

25 [0004] This summary is provided to introduce a selection of concepts in a simplified form that are further described below in the detailed description. This summary is not intended to identify key features or essential features of the claimed subject matter, nor is it intended as an aid in determining the scope of the claimed subject matter.

[0005] According to embodiments, relationships between people may be leveraged
30 and ranking for people relationships may be performed based on activities across multiple workloads. People relationships may be displayed in a network map to provide a visual understanding of relationships and connections. Navigation to any person represented in the network map may be enabled, and commonalities in relationships between a navigating user and a given person navigated to in the network map may be exposed. In

addition, trending items and activity streams for a person or group of persons may be shown in the network map.

[0006] The details of one or more embodiments are set forth in the accompanying drawings and description below. Other features and advantages will be apparent from a reading of the following detailed description and a review of the associated drawings. It is to be understood that the following detailed description is explanatory only and is not restrictive of the invention as claimed.

BRIEF DESCRIPTION OF THE DRAWINGS

[0007] The accompanying drawings, which are incorporated in and constitute a part of this disclosure, illustrate various embodiments of the present invention. In the drawings:

[0008] **FIGURE 1** is a block diagram of one embodiment of a system for providing a network map of an individual's implicit and explicit people relationships across multiple workloads;

[0009] **FIGURE 2** is an example of a people page user interface comprising a network map of an individual's implicit and explicit people relationships across multiple workloads;

[00010] **FIGURE 3** is a flow chart of a method for providing a network map of an individual's implicit and explicit people relationships across multiple workloads;

[00011] **FIGURE 4** is a block diagram illustrating example physical components of a computing device with which embodiments of the invention may be practiced;

[00012] **FIGURE 5A** and **5B** are simplified block diagrams of a mobile computing device with which embodiments of the present invention may be practiced; and

[00013] **FIGURE 6** is a simplified block diagram of a distributed computing system in which embodiments of the present invention may be practiced.

DETAILED DESCRIPTION

[00014] Embodiments of the present invention are directed to a mapping of an individual's implicit and explicit people relationships across multiple workloads. Relationships between people may be leveraged and ranking for people relationships may be performed. A network map may be displayed in a people page user interface for providing an intuitive and easily navigable display of people relationships. A user may be able to see commonalities in relationships between himself/herself and an individual in focus and may be more informed of how individuals and groups are connected with more

relevance. Trending items and activity streams for a person or group of persons may be shown in the network map.

[00015] The following detailed description refers to the accompanying drawings. Wherever possible, the same reference numbers are used in the drawing and the following
5 description to refer to the same or similar elements. While embodiments of the invention may be described, modifications, adaptations, and other implementations are possible. For example, substitutions, additions, or modifications may be made to the elements illustrated in the drawings, and the methods described herein may be modified by substituting, reordering, or adding stages to the disclosed methods. Accordingly, the following detailed
10 description does not limit the invention, but instead, the proper scope of the invention is defined by the appended claims.

[00016] Referring now to the drawings, in which like numerals represent like elements, various embodiments will be described. **FIGURE 1** is a block diagram illustrating a system architecture **100** for providing a network map of an individual's
15 implicit and explicit people relationships across multiple workloads. The system architecture **100** includes an aggregator **108** operable to collect organizational relationship data **105** and activity data **106** for an individual **102** from a plurality of information sources **104A-N** (collectively **104**) and store the activity data **106** in a graph **114**. The information sources **104** may include various types of information sources such as social
20 networking services, enterprise social network services, online productivity software suites (which may include applications such as, but not limited to, a word processing application, a spreadsheet application, a slide presentation application, a notes taking application, a calendaring application, a video conferencing and instant messaging application, etc.), collaboration services, communication software, etc.

[00017] Activity data **106** may comprise various types of information such as, but not limited to, presence data, interaction data, data associated with communication with another person (e.g., emailing, messaging, conferencing, etc.), data associated with an individual's activity stream (e.g., authoring or modifying a document, liking, commenting, following, or sharing a document, following a person, commenting on a feed, etc.),
30 trending data, group membership (e.g., inclusion in a distribution list, attendee in a meeting invitation, etc.). Organizational relationship data **105** may comprise various types of information such as, but not limited to, data associated with a project structure or organizational structure (e.g., who an individual works with, works for, is a peer to, directs, manages, is managed by, etc.).

[00018] As mentioned above, the organizational relationship data **105** and activity data **106** may be stored in a graph **114**. Actions and people relationships may be stored as edges **112A-H** (collectively **112**), and people interacted with and entities that are acted upon may be stored as nodes **110A-G** (collectively **110**). For example, a node **110** may
5 include an individual **102** (nodes **110A,B,E,F**), a group of individuals, a document (node **110C**), an email or other communication type (node **110D**), a webpage (node **110G**), etc.

[00019] An edge **112** may include various types of actions (e.g., like, comment, follow, share, authoring, modifying, communication, participation, etc.) and relationships (i.e., relationship edge **112A**). Consider for example that an individual **102** “likes” a
10 certain document (i.e., selects a “like” option associated with the document). The individual and the document may be stored as nodes **110** and the “like” selection may be stored as an edge **112**.

[00020] A relationship edge **112A** may include explicit relationships and/or implicit relationships. Explicit relationships may include relationships defined according to an
15 organization structure and data (i.e., organizational relationship data **105**). For example, an explicit relationship may include an individual’s manager, peers, directs, etc. Explicit relationships may be stored as edges **112** such as manager edges, peer edges, directs edges, etc. Implicit relationships may include working with relationships and other relationships determined according to activity in one or more workloads (i.e., activity data **106** from one
20 or more information sources **104**). For example, an implicit relationship may include an individual **102** following another person on an enterprise social network service (information source **104**), being included on a distribution list with another person, is a co-author of a document with another person, emailing (or other type of communication) with another person, group memberships, commenting on another person’s feed, etc.
25 According to an embodiment, an implicit relationship may be stored as a working with edge in the graph **114**. The term “relationship node” **110B** will be used herein to describe a node **110** connected to an individual **102** or user **122** via a relationship edge **112A**.

[00021] The system **100** may comprise a ranking system **115** operable to calculate weights based on implicit and explicit signals generated through activity on the plurality of
30 workloads, such as an amount and type of activity an individual **102** has with another person. For example, if an individual **102** communicates via email with a first information worker (IW) daily, and is frequently an attendee of meetings that the first IW is also an attendee of, the weight of a relationship edge **112A** between the individual **102** and the first IW may be higher than the weight of a relationship edge **112A** between the individual

102 and a second IW whom the individual **102** emails less frequently and who share a common “like” of a document on a social network site. Edges may also be weighted according to a type of activity. For example, an “edit” or “share” operation may be considered to be more important than a “like” operation, and thus may have a higher
5 weighting than the “like” operation. An individual’s relationship edges **112A** and activity edges may be ranked according to their calculated weights.

[00022] A user **122** may selectively view a network map of implicit and explicit people relationships across multiple workloads for an individual **102**. The user **122** may utilize a client application **120** on a computing device **118** to request people-related
10 information **116**. According to one embodiment, a request may be triggered via navigation to or selection of a representation of an individual **102** from a user interface, for example, a user interface displayed on computing device **118** via client application **120**.

[00023] The computing device **118** may be one of a variety of suitable computing devices described below with reference to **FIGURES 4** through **6**. For example, the
15 computing device **118** may include a tablet computing device, a desktop computer, a mobile communication device, a laptop computer, a laptop/tablet hybrid computing device, a gaming device, or other type of computing device for executing applications **120** for performing a variety of tasks.

[00024] The application **120** illustrated in association with computing device **118** is
20 illustrative of any application having sufficient computer executable instructions for enabling embodiments of the present invention as described herein. The application **120** may include a thick client application, which may be stored locally on the computing device **118**, or may include a thin client application (i.e., web application) that may reside on a remote server and accessible over a network, such as the Internet or an intranet. A
25 thin client application may be hosted in a browser-controlled environment or coded in a browser-supported language and reliant on a common web browser to render the application executable on a computing device **118**.

[00025] When a request for people-related information **116** for an individual **102** is received, the graph **114** may be queried for the particular individual’s node **110**, and a
30 request may be made for all people relationship edges **112A** and relationship nodes **110B** related to the individual’s node **110**. For example, for a particular individual **102**, a request may be made for his/her manager edge, his/her peer edges, his/her directs edges, his/her working with edges, etc., and the nodes to which the edges connect.

[00026] According to an embodiment, a request may also be made for the requesting user's **122** node **110** and his/her working with edges. A query may be made for an intersection of people the user **122** and the individual **102** have in common according to their working with edges. An intersection or overlap between the user's **122** and the individual's **102** working with edges may be determined to be people both the user **122** and the individual **102** work with and classified as "people in common" or "people we both work with."

[00027] The request for people related information **116** may be a search API, and may comprise authorization information for determining what content the user **122** has been granted access to retrieve. A response may be generated and may comprise people related information **116** of relationships (associated with the individual **102**) to which the user **122** has been granted access. The people related information **116** may be provided to the client application **120** and displayed in a user interface that will be described in detail with reference to **FIGURE 2**.

[00028] Referring now to **FIGURE 2**, an example people page user interface **202** for an individual **102** is illustrated that may be displayed on any suitable computing device **118** described above. The people page user interface **202** may provide an intuitive and easily navigable display of people relationships in a network map. A user **122** may be able to see commonalities in relationships between himself/herself and the individual **102** in focus, and may be more informed of how individuals and groups are connected with more relevance. According to embodiments, user interaction with a people page user interface **202** may be accomplished via a variety of interaction methods including keyboard entry, mouse entry, gesture entry, voice command, eye tracking, thin air gesture entry, electronic inking entry, and/or combinations thereof.

[00029] As illustrated, a people page user interface **202** for a specific individual **102** may comprise a display of the individual's name and a picture, avatar, or other visual representation **204** of the individual **102**. Other information **208** such as a team the individual **102** is a part of, the individual's job title, a biography, etc., and presence information **206** for the individual **102** may also be displayed. One or more connectivity buttons **210** may be provided for enabling a user **122** to connect with the individual **102**. Connectivity buttons **210** may include, but are not limited to, an IM button, a call button, a video button, and an email button. For example, selection of an instant messaging (IM) button **210** by the user **122** may launch an IM session between the user **122** and the individual **102**.

[00030] According to embodiments, the people page user interface **202** may comprise an intuitive and easily navigable network map **212** of the individual's **102** people relationship edges **112A** and relationship nodes **110B**. The people (i.e., relationship nodes **110B**) connected to the individual **102** by the people relationship edges **112A** may be displayed as selectable thumbnail images grouped according to the type of relationship they share with the individual **102**. A thumbnail image may be a photo or image of the person if a photo or image is available, or may be an avatar or other type of visual representation of the person.

[00031] As illustrated, the network map **212** may include a first group that may be classified as "manager" comprising a thumbnail image of the person or people (relationship node **110B**) connected to the individual **102** via a manager relationship edge **112A**, a next group that may be classified as "peers" comprising thumbnail images of the people (relationship nodes **110B**) connected to the individual **102** via a peer relationship edge **112A**, a next group that may be classified as "directs" comprising thumbnail images of the people (relationship nodes **110B**) connected to the individual **102** via a directs relationship edge **112A**, a next group that may be classified as "working with" comprising thumbnail images of the people (relationship nodes **110B**) connected to the individual **102** via a working with relationship edge **112A**, and a next group that may be classified as "we both work with" or "people in common" comprising thumbnail images of the people (relationship nodes **110B**) who are connected to both the individual **102** and the user **122**. According to embodiments, an individual's **102** groups may not intersect, that is, the groups may be mutually exclusive. For example, if an implicit relationship is generated between the individual **102** (in this example, Jane Doe) and Jane's manager (in this example, Bob White), Bob would not be displayed in Jane's working with group because an explicit relationship ("manager") with Bob has already been defined. As can be appreciated, the user **122** may be able to easily see commonalities in relationships between himself/herself and the individual **102** in focus.

[00032] As described above, implicit relationships such as working with relationships and we both work with relationships may include relationship edges **112A** determined according to activity in one or more workloads (i.e., activity data **106** from one or more information sources **104**). As can be appreciated, the number of implicit relationships an individual **102** has can be quite large. Accordingly, a top n implicit relationships may be displayed, wherein the top n implicit relationships are the individual's highest ranking relationship edges **112A** according to their calculated weights

as described in **FIGURE 1**. The *n* may be a predetermined number or a selectable number.

[00033] As mentioned, the thumbnail images of people connected to the individual **102** by the people relationship edges **112A** (i.e., relationship nodes **110B**) may be selectable. If a thumbnail image is selected, the relationship node **110B** associated with the selected thumbnail image may be queried in the graph **114**, and the people page UI **202** may be navigated to the selected person's people page comprising his/her people-related information **116**. For example, if a user **122** selects the thumbnail image associated with Ana Brady, the people page user interface **202** transitions from Jane Doe's relationship network map **212** to Ana Brady's relationship network map, wherein Ana's relationship edges **112A** and relationship nodes **110B** may be displayed in the people page user interface **202**. The people page user interface **202** may also comprise a back button **214**, which when selected may provide for navigation to a previously viewed relationship network map **212**.

[00034] According to an embodiment, the people page user interface **202** may include a display of an individual's activity stream, which may comprise a listing of activity-related edges **112** and the entities, documents, etc. (stored as nodes **110**) upon which were acted. An activity-related edge **112** may comprise an action performed by the individual **102** associated with authoring or modification of a document, trending data, feedback data (e.g., like, comment, follow, share, etc.), etc.

[00035] According to another embodiment, the people page user interface **202** may comprise a display of trending items for the individual **102** or a group with which the individual **102** is associated. A query may be performed for activity-related edges **112** and activity-related nodes **110** of the individual's implicit and explicit relationship nodes **110B**. Utilizing this information, a determination may be made as to what items may be trending around the individual **102**. For example, an individual **102** may have twenty explicit relationships and eighty implicit relationships. A query may be made for the items that those one hundred people may be viewing, modifying, liking, commenting on, etc. Based on those activities, a determination may be made as to which items may be trending or popular around the individual **102**. The determined items may be displayed in the individual's people page user interface **202**.

[00036] **FIGURE 3** is a flow chart showing one embodiment of a method **300** for providing a network map of an individual's implicit and explicit people relationships across multiple workloads. The method **300** starts at OPERATION **305** and proceeds to

OPERATION 310, where an individual 102 or group is recognized and identified across a plurality of workloads (information sources 104). As described above, information sources 104 may include various types of information sources such as social networking services, enterprise social network services, online productivity software suites, collaboration services, communication software, etc. According to an embodiment, OPERATION 305 may include a set-up process where the individual 102 or group may indicate which information sources 104 to utilize for providing activity information and may enter authentication information for the various information sources 104.

[00037] The method 300 may proceed to OPERATION 315, where organizational relationship data 105 and activity data 106 for the individual 102 may be retrieved from one or more of the plurality of workloads or information sources 104. As described above, activity data 106 may comprise various types of information such as, but not limited to, presence data, data associated with authoring or modification of a document, trending data, feedback data (e.g., like, comment, follow, share, etc.), data associated with whom an individual 102 interacts and communicates, etc. Organizational relationship data 105 may comprise data associated with organizational structure (e.g., who an individual works with, works for, is a peer to, directs, manages, is managed by, etc.). The one or more workloads or information sources 104 may include information sources such as social networking services, enterprise social network services, online productivity software suites, collaboration services, communication software, etc.

[00038] At OPERATION 320, weights of the individual's edges 112 may be calculated based on implicit and explicit signals generated through activity on the plurality of workloads, and the relationship data 105 and activity data 106 may be stored in a graph 114 with their calculated weights as nodes 110 and edges 112. That is, relationship data 105 and the activity data 106 may be analyzed, weights may be calculated according to explicit relationships and amount and type of activities/interactions with other people, and relationships may be established between the individual 102 and people with whom the individual has interacted and people with whom the individual is associated according to an organization or project structure. Additionally, relationships may be established between the individual 102 and other entities (e.g., documents, emails, webpages, etc.) upon which an activity was performed by the individual 102 or by other people with whom the individual 102 is associated implicitly and/or explicitly.

[00039] At OPERATION 325, an indication of a selection of or navigation to the individual's 102 page may be received. For example, the individual's 102 thumbnail displayed in a people page user interface 202 may be selected by a user 122.

[00040] The method 300 may proceed to OPERATION 330, where the selected individual's 102 people-related information 116 and the user's 122 people-related information 116 may be retrieved from the graph 114. Additionally, the selected individual's 102 activity stream may be retrieved from the graph 114.

[00041] At OPERATION 335, a determination may be made as to which relationships and activities to display. The individual's relationship edges 112A and activity edges may be ranked and filtered according to their calculated weights, and the most relevant relationships and activities amongst a potentially large amount of relationships and activities may be selected for display. OPERATION 335 may also include determining an overlap of relationship edges 112A between the individual 102 and the user 122 for determination of which people may be classified and displayed as "we both work with" or "people in common."

[00042] The method 300 may proceed to OPERATION 340, where a people page user interface 202 may be generated for displaying the individual's 102 people-related information 116, for example, as illustrated and described above with reference to FIGURE 2. The people-related information 116 may be displayed in a network map 212 and may comprise the individual's explicit relationship edges 112A and nodes 110B (i.e., organization structured relationships such as directs, peers, managers, etc.) and implicit relationship edges 112A and nodes 110B (i.e., working with relationships and other relationships determined according to activity in one or more workloads such as a person who the individual 102 is following on an enterprise social network service (information source 104), a person on a distribution list that the individual is also included, a co-author of a document, a person with whom the individual communicates regularly via email or other communication type, a co-member of a group, etc.). According to embodiments and described above, the relationship edges 112A and nodes 110B may be selected for display according to their calculated weights. An activity stream for the individual 102 may also be displayed. For example, the activity stream may include activity-related edges 112, as well as a display of documents and other entities acted upon by the individual 102.

[00043] The method 300 may proceed to either OPERATION 345 or 350. At OPERATION 345, an indication of a selection of a person displayed in the individual's 102 network map 212 may be received, for example, via a selection of the person's

thumbnail image. The method **300** may then return to OPERATION **330**, to retrieve people-related information **116** and an activity stream for the selected person.

[00044] At OPERATION **350**, an indication of a selection of a connectivity button **210** or a document or other type of entity displayed in the individual's **102** activity stream
5 may be received. If a connectivity button **210** is selected, the method **300** may proceed to OPERATION **355**, where connectivity may be provided. For example, a communication session may be launched according to a type of connectivity button **210** selected. If a document or other type of entity displayed in the individual's **102** activity stream is
10 selected, the method **300** may proceed to OPERATION **355**, where connectivity to the selected document or entity may be provided. For example, if a document is selected, the document may be opened in an appropriate application for the selected document (e.g., a presentation may be opened in a slide presentation application). The method may end at OPERATION **395**.

[00045] While the invention has been described in the general context of program
15 modules that execute in conjunction with an application program that runs on an operating system on a computer, those skilled in the art will recognize that the invention may also be implemented in combination with other program modules. Generally, program modules include routines, programs, components, data structures, and other types of structures that perform particular tasks or implement particular abstract data types.

[00046] The embodiments and functionalities described herein may operate via a
20 multitude of computing systems including, without limitation, desktop computer systems, wired and wireless computing systems, mobile computing systems (e.g., mobile telephones, netbooks, tablet or slate type computers, notebook computers, and laptop computers), hand-held devices, multiprocessor systems, microprocessor-based or
25 programmable consumer electronics, minicomputers, and mainframe computers.

[00047] In addition, the embodiments and functionalities described herein may
operate over distributed systems (e.g., cloud-based computing systems), where application functionality, memory, data storage and retrieval and various processing functions may be operated remotely from each other over a distributed computing network, such as the
30 Internet or an intranet. User interfaces and information of various types may be displayed via on-board computing device displays or via remote display units associated with one or more computing devices. For example user interfaces and information of various types may be displayed and interacted with on a wall surface onto which user interfaces and information of various types are projected. Interaction with the multitude of computing

systems with which embodiments of the invention may be practiced include, keystroke entry, touch screen entry, voice or other audio entry, gesture entry where an associated computing device is equipped with detection (e.g., camera) functionality for capturing and interpreting user gestures for controlling the functionality of the computing device, and the like.

5 [00048] FIGURES 4-6 and the associated descriptions provide a discussion of a variety of operating environments in which embodiments of the invention may be practiced. However, the devices and systems illustrated and discussed with respect to FIGURES 4-6 are for purposes of example and illustration and are not limiting of a vast number of computing device configurations that may be utilized for practicing
10 embodiments of the invention, described herein.

[00049] FIGURE 4 is a block diagram illustrating physical components (i.e., hardware) of a computing device 400 with which embodiments of the invention may be practiced. The computing device components described below may be suitable for the client device 118 described above. In a basic configuration, the computing device 400 may include at least one processing unit 402 and a system memory 404. Depending on the configuration and type of computing device, the system memory 404 may comprise, but is not limited to, volatile storage (e.g., random access memory), non-volatile storage (e.g., read-only memory), flash memory, or any combination of such memories. The system
15 memory 404 may include an operating system 405 and one or more program modules 406 suitable for running software applications 450 such as the aggregator 108, ranking system 115, or client application 120. The operating system 405, for example, may be suitable for controlling the operation of the computing device 400. Furthermore, embodiments of the invention may be practiced in conjunction with a graphics library, other operating systems, or any other application program and is not limited to any particular application or system.
20 This basic configuration is illustrated in FIGURE 4 by those components within a dashed line 408. The computing device 400 may have additional features or functionality. For example, the computing device 400 may also include additional data storage devices (removable and/or non-removable) such as, for example, magnetic disks, optical disks, or tape. Such additional storage is illustrated in FIGURE 4 by a removable storage device
25 409 and a non-removable storage device 410.

[00050] As stated above, a number of program modules and data files may be stored in the system memory 404. While executing on the processing unit 402, the program modules 406 may perform processes including, but not limited to, one or more of the

stages of the method **300** illustrated in **FIGURE 3**. Other program modules that may be used in accordance with embodiments of the present invention and may include applications such as electronic mail and contacts applications, word processing applications, spreadsheet applications, database applications, slide presentation applications, drawing or computer-aided application programs, etc.

[00051] Furthermore, embodiments of the invention may be practiced in an electrical circuit comprising discrete electronic elements, packaged or integrated electronic chips containing logic gates, a circuit utilizing a microprocessor, or on a single chip containing electronic elements or microprocessors. For example, embodiments of the invention may be practiced via a system-on-a-chip (SOC) where each or many of the components illustrated in **FIGURE 4** may be integrated onto a single integrated circuit. Such an SOC device may include one or more processing units, graphics units, communications units, system virtualization units and various application functionality all of which are integrated (or “burned”) onto the chip substrate as a single integrated circuit.

When operating via an SOC, the functionality, described herein, with respect to providing a network map of an individual’s implicit and explicit people relationships across multiple workloads may be operated via application-specific logic integrated with other components of the computing device **400** on the single integrated circuit (chip). Embodiments of the invention may also be practiced using other technologies capable of performing logical operations such as, for example, AND, OR, and NOT, including but not limited to mechanical, optical, fluidic, and quantum technologies. In addition, embodiments of the invention may be practiced within a general purpose computer or in any other circuits or systems.

[00052] The computing device **400** may also have one or more input device(s) **412** such as a keyboard, a mouse, a pen, a sound input device, a touch input device, etc. The output device(s) **414** such as a display, speakers, a printer, etc. may also be included. The aforementioned devices are examples and others may be used. The computing device **400** may include one or more communication connections **416** allowing communications with other computing devices **418**. Examples of suitable communication connections **416** include, but are not limited to, RF transmitter, receiver, and/or transceiver circuitry; universal serial bus (USB), parallel, and/or serial ports.

[00053] The term computer readable media as used herein may include computer storage media. Computer storage media may include volatile and nonvolatile, removable and non-removable media implemented in any method or technology for storage of

information, such as computer readable instructions, data structures, or program modules. The system memory **404**, the removable storage device **409**, and the non-removable storage device **410** are all computer storage media examples (i.e., memory storage.) Computer storage media may include RAM, ROM, electrically erasable read-only memory (EEPROM), flash memory or other memory technology, CD-ROM, digital versatile disks (DVD) or other optical storage, magnetic cassettes, magnetic tape, magnetic disk storage or other magnetic storage devices, or any other article of manufacture which can be used to store information and which can be accessed by the computing device **400**. Any such computer storage media may be part of the computing device **400**. Computer storage media does not include a carrier wave or other propagated or modulated data signal.

[00054] Communication media may be embodied by computer readable instructions, data structures, program modules, or other data in a modulated data signal, such as a carrier wave or other transport mechanism, and includes any information delivery media. The term “modulated data signal” may describe a signal that has one or more characteristics set or changed in such a manner as to encode information in the signal. By way of example, and not limitation, communication media may include wired media such as a wired network or direct-wired connection, and wireless media such as acoustic, radio frequency (RF), infrared, and other wireless media.

[00055] **FIGURES 5A** and **5B** illustrate a mobile computing device **500**, for example, a mobile telephone, a smart phone, a tablet personal computer, a laptop computer, and the like, with which embodiments of the invention may be practiced. With reference to **FIGURE 5A**, one embodiment of a mobile computing device **500** for implementing the embodiments is illustrated. In a basic configuration, the mobile computing device **500** is a handheld computer having both input elements and output elements. The mobile computing device **500** typically includes a display **505** and one or more input buttons **510** that allow the user to enter information into the mobile computing device **500**. The display **505** of the mobile computing device **500** may also function as an input device (e.g., a touch screen display). If included, an optional side input element **515** allows further user input. The side input element **515** may be a rotary switch, a button, or any other type of manual input element. In alternative embodiments, mobile computing device **500** may incorporate more or less input elements. For example, the display **505** may not be a touch screen in some embodiments. In yet another alternative embodiment, the mobile computing device **500** is a portable phone system, such as a cellular phone.

The mobile computing device **500** may also include an optional keypad **535**. Optional keypad **535** may be a physical keypad or a “soft” keypad generated on the touch screen display. In various embodiments, the output elements include the display **505** for showing a graphical user interface (GUI), a visual indicator **520** (e.g., a light emitting diode), and/or
5 an audio transducer **525** (e.g., a speaker). In some embodiments, the mobile computing device **500** incorporates a vibration transducer for providing the user with tactile feedback. In yet another embodiment, the mobile computing device **500** incorporates input and/or output ports, such as an audio input (e.g., a microphone jack), an audio output (e.g., a headphone jack), and a video output (e.g., a HDMI port) for sending signals to or
10 receiving signals from an external device.

[00056] **FIGURE 5B** is a block diagram illustrating the architecture of one embodiment of a mobile computing device. That is, the mobile computing device **500** can incorporate a system (i.e., an architecture) **502** to implement some embodiments. In one embodiment, the system **502** is implemented as a “smart phone” capable of running one or
15 more applications (e.g., browser, e-mail, calendaring, contact managers, messaging clients, games, and media clients/players). In some embodiments, the system **502** is integrated as a computing device, such as an integrated personal digital assistant (PDA) and wireless phone.

[00057] One or more application programs **550** may be loaded into the memory **562**
20 and run on or in association with the operating system **564**. Examples of the application programs include phone dialer programs, e-mail programs, personal information management (PIM) programs, word processing programs, spreadsheet programs, Internet browser programs, messaging programs, and so forth. The system **502** also includes a non-volatile storage area **568** within the memory **562**. The non-volatile storage area **568** may
25 be used to store persistent information that should not be lost if the system **502** is powered down. The application programs **550** may use and store information in the non-volatile storage area **568**, such as e-mail or other messages used by an e-mail application, and the like. A synchronization application (not shown) also resides on the system **502** and is programmed to interact with a corresponding synchronization application resident on a
30 host computer to keep the information stored in the non-volatile storage area **568** synchronized with corresponding information stored at the host computer. As should be appreciated, other applications may be loaded into the memory **562** and run on the mobile computing device **500**.

[00058] The system 502 has a power supply 570, which may be implemented as one or more batteries. The power supply 570 might further include an external power source, such as an AC adapter or a powered docking cradle that supplements or recharges the batteries.

5 [00059] The system 502 may also include a radio 572 that performs the function of transmitting and receiving radio frequency communications. The radio 572 facilitates wireless connectivity between the system 502 and the “outside world,” via a communications carrier or service provider. Transmissions to and from the radio 572 are conducted under control of the operating system 564. In other words, communications
10 received by the radio 572 may be disseminated to the application programs 550 via the operating system 564, and vice versa.

[00060] The visual indicator 520 may be used to provide visual notifications and/or an audio interface 574 may be used for producing audible notifications via the audio transducer 525. In the illustrated embodiment, the visual indicator 520 is a light emitting
15 diode (LED) and the audio transducer 525 is a speaker. These devices may be directly coupled to the power supply 570 so that when activated, they remain on for a duration dictated by the notification mechanism even though the processor 560 and other components might shut down for conserving battery power. The LED may be programmed to remain on indefinitely until the user takes action to indicate the powered-on status of the
20 device. The audio interface 574 is used to provide audible signals to and receive audible signals from the user. For example, in addition to being coupled to the audio transducer 525, the audio interface 574 may also be coupled to a microphone to receive audible input, such as to facilitate a telephone conversation. In accordance with embodiments of the present invention, the microphone may also serve as an audio sensor to facilitate control of
25 notifications, as will be described below. The system 502 may further include a video interface 576 that enables an operation of an on-board camera 530 to record still images, video stream, and the like.

[00061] A mobile computing device 500 implementing the system 502 may have additional features or functionality. For example, the mobile computing device 500 may
30 also include additional data storage devices (removable and/or non-removable) such as, magnetic disks, optical disks, or tape. Such additional storage is illustrated in FIGURE 5B by the non-volatile storage area 568.

[00062] Data/information generated or captured by the mobile computing device 500 and stored via the system 502 may be stored locally on the mobile computing device

500, as described above, or the data may be stored on any number of storage media that may be accessed by the device via the radio 572 or via a wired connection between the mobile computing device 500 and a separate computing device associated with the mobile computing device 500, for example, a server computer in a distributed computing network, such as the Internet. As should be appreciated such data/information may be accessed via the mobile computing device 500 via the radio 572 or via a distributed computing network. Similarly, such data/information may be readily transferred between computing devices for storage and use according to well-known data/information transfer and storage means, including electronic mail and collaborative data/information sharing systems.

10 [00063] FIGURE 6 illustrates one embodiment of the architecture of a system for providing a network map of an individual's implicit and explicit people relationships across multiple workloads, as described above. Content developed, interacted with, or edited in association with the application 120 may be stored in different communication channels or other storage types. For example, various documents may be stored using a directory service 622, a web portal 624, a mailbox service 626, an instant messaging store 15 628, or a social networking site 630. The application 120 may use any of these types of systems or the like for providing a network map of an individual's implicit and explicit people relationships across multiple workloads, as described herein. A server 615 may provide the application 120 to clients 118. As one example, the server 615 may be a web server providing the application 120 over the web. The server 615 may provide the 20 application 120 over the web to clients 118 through a network 610. By way of example, the client computing device 118 may be implemented and embodied in a personal computer 605A, a tablet computing device 605B and/or a mobile computing device 605C (e.g., a smart phone), or other computing device. Any of these embodiments of the client computing device may obtain content from the store 616.

[00064] Embodiments of the present invention, for example, are described above with reference to block diagrams and/or operational illustrations of methods, systems, and computer program products according to embodiments of the invention. The functions/acts noted in the blocks may occur out of the order as shown in any flowchart. For example, 30 two blocks shown in succession may in fact be executed substantially concurrently or the blocks may sometimes be executed in the reverse order, depending upon the functionality/acts involved.

[00065] The description and illustration of one or more embodiments provided in this application are not intended to limit or restrict the scope of the invention as claimed in

any way. The embodiments, examples, and details provided in this application are considered sufficient to convey possession and enable others to make and use the best mode of claimed invention. The claimed invention should not be construed as being limited to any embodiment, example, or detail provided in this application. Regardless of
5 whether shown and described in combination or separately, the various features (both structural and methodological) are intended to be selectively included or omitted to produce an embodiment with a particular set of features. Having been provided with the description and illustration of the present application, one skilled in the art may envision variations, modifications, and alternate embodiments falling within the spirit of the
10 broader aspects of the general inventive concept embodied in this application that do not depart from the broader scope of the claimed invention.

CLAIMS

1. A method for providing a network map, the method comprising:
 - receiving relationship data and activity data associated with one or more individuals from one or more information sources;
 - storing the relationship and activity data associated with the one or more individuals from the one or more information sources in a graph;
 - receiving an indication of a selection by a user to view a network map associated with a first individual;
 - determining relationships between the first individual and the one or more individuals based on the relationship and activity data; and
 - providing the relationships associated with the first individual for display of the network map associated with the first individual in a user interface.

2. The method of claim 1, further comprising:
 - receiving relationship data and activity data associated with the user from one or more information sources;
 - storing the relationship and activity data associated with the user from the one or more information sources in a graph;
 - after receiving an indication of a selection by the user to view a network map associated with the first individual, determining commonalities in relationships between the first individual and the user; and
 - providing the determined commonalities in relationships between the first individual and the user for display in the user interface.

3. The method of claim 1, wherein storing the relationship data associated with the one or more individuals from the one or more information sources in a graph comprises establishing relationships between the individuals and people with whom the individuals interact or people with whom the individuals are associated according to organization or project structures.

4. The method of claim 3, wherein establishing a relationship between individuals and people with whom the individuals interact or people with whom the individuals are associated according to organization or project structures comprises:
 - creating a first node in the graph for an individual;

creating a second node for a person with whom the individual interacts or a person with whom the individual is associated according to an organization or project structure;
creating a relationship edge connecting the first node and the second node;
creating a third node for an entity acted upon by the individual according to the activity data;
creating an activity edge connecting the first node to the third node;
calculating a weight for the activity edge according to a type of activity performed by the individual; and
ranking the individual's activity edges according to the calculated weights.

5. The method of claim 4, wherein providing the stored activity data associated with the first individual from the one or more information sources for display in a user interface comprises providing an activity stream comprising a predetermined or selected number of top ranking activity edges associated with the first individual.

6. The method of claim 4, further comprising:
calculating a weight for each relationship edge; and
ranking the individual's relationship edges according to the calculated weights.

7. A system for providing a network map, the system comprising:
one or more processors; and
a memory coupled to the one or more processors, the one or more processors operable to:
receive relationship data and activity data associated with a plurality of individuals from a plurality of information sources;
establish relationships between the individuals and people with whom the individuals interact or people with whom the individuals are associated according to organization or project structures;
store the established relationships associated with the plurality of individuals in a graph;
receive an indication of a selection by a user to view a network map associated with a first individual;
determine commonalities in relationships between the first individual and the user; and

provide the established relationships associated with the plurality of individuals and the determined commonalities in relationships between the first individual and the user for display of the network map associated with the first individual in a user interface.

8. The system of claim 7, wherein in establishing a relationship between individuals and people with whom the individuals interact or people with whom the individuals are associated according to organization or project structures, the one or more processors are further operable to:
 - create a first node in the graph for an individual;
 - create a second node for a person with whom the individual interacts or a person with whom the individual is associated according to an organization or project structure;
 - create a relationship edge connecting the first node and the second node;
 - create a third node for an entity acted upon by the individual according to the activity data;
 - create an activity edge connecting the first node to the third node;
 - calculate a weight for the activity edge according to a type of activity performed by the individual;
 - rank the individual's activity edges according to the calculated weight; and
 - provide an activity stream comprising a predetermined or selected number of top ranking activity edges associated with the first individual for display in the user interface.
9. The system of claim 8, wherein the one or more processors are further operable to:
 - calculate a weight for each relationship edge based on implicit and explicit signals generated through activity on the plurality of information sources;
 - rank the individual's relationship edges according to the calculated weights; and
 - provide a predetermined or selected number of top ranking relationship edges associated with the first individual for display in the user interface.
10. The system of claim 7, wherein the one or more processors are further operable to:
 - receive an indication of a selection by the user to view a network map associated with a second individual;
 - determine commonalities in relationships between the second individual and the user; and

provide the established relationships associated with the plurality of individuals and the determined commonalities in relationships between the second individual and the user for display of the network map associated with the second individual in the user interface.

11. A method for providing a network map, the method comprising:
receiving an indication of a selection by a user to view a network map of a first individual's people relationships across a plurality of information sources;
querying a graph for relationship and activity data associated with the first individual;
querying the graph for relationship and activity data associated with the user;
receiving relationship and activity data associated with the first individual and the user;
generating a user interface for displaying the network map comprising the relationship and activity data associated with the first individual; and
displaying the network map in the user interface.

12. The method of claim 11, wherein querying a graph for relationship and activity data associated with the first individual comprises querying the graph for the first individual's node, for nodes connected to the first individual's node by relationship edges, and for nodes connected to the first individual's node by activity edges.

13. The method of claim 12, further wherein displaying the network map in the user interface comprises displaying selectable thumbnail images of people whose nodes are connected to the first individual's node by relationship edges and displaying an activity stream of entities whose nodes are connected to the first individual's node by activity edges.

14. The method of claim 11, further comprising:
querying the graph for nodes connected by activity edges to the nodes connected to the first individual's node by relationship edges;
calculating and applying weights to the activity edges according to a type of activity;

determining one or more items that are trending around the individual according to a number of activity edges connected to the one or more items and the weight of the one or more activity edges; and

displaying the one or more item trending items in the user interface.

15. The method of claim 11, further comprising:

receiving an indication of a selection by the user to view a network map associated with a second individual;

querying the graph for relationship and activity data associated with the second individual;

receiving relationship and activity data associated with the second individual;

generating a user interface for displaying the network map comprising the relationship and activity data associated with the second individual; and

displaying the network map in the user interface.

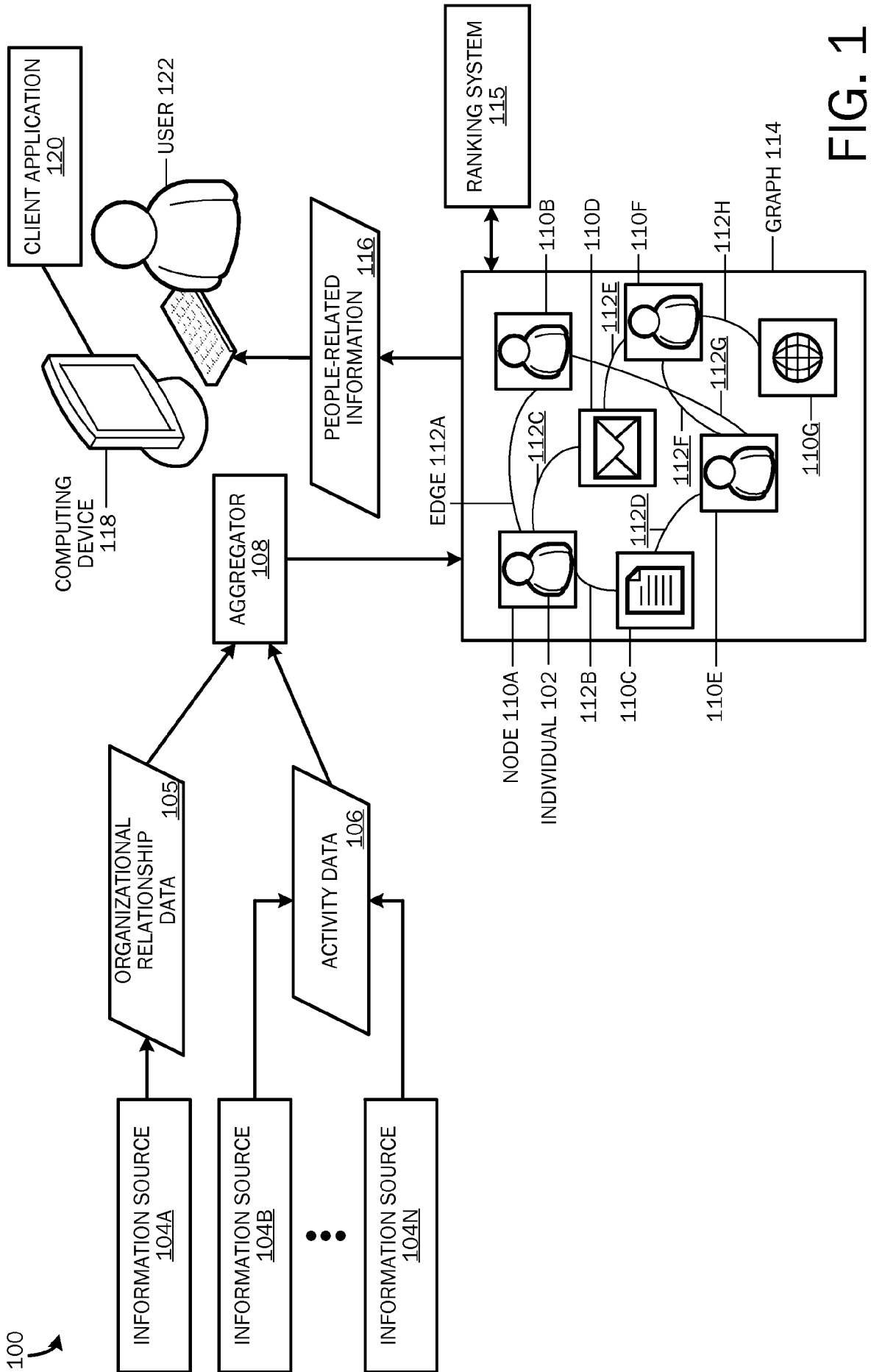


FIG. 1

INDIVIDUAL
102

PEOPLE PAGE UI 202

214 Jane Doe

208



Jane Doe
XY TEAM - SALES REP
New York

204

206

210



112A

MANAGER

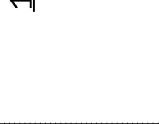
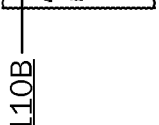


Bob White

212

112A

WE BOTH WORK WITH



Andy Black ■ Ava Brady ■ Bella Cole



Will Daves



Cal Brooks



Sue Lane

WORKING WITH

112A



Ann Smith



Cory Mills



Mae Lively



Jen Elder



JB Reed



Jim Evans



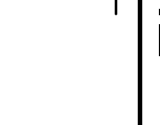
Bo Cruise



Bo Cruise

112A

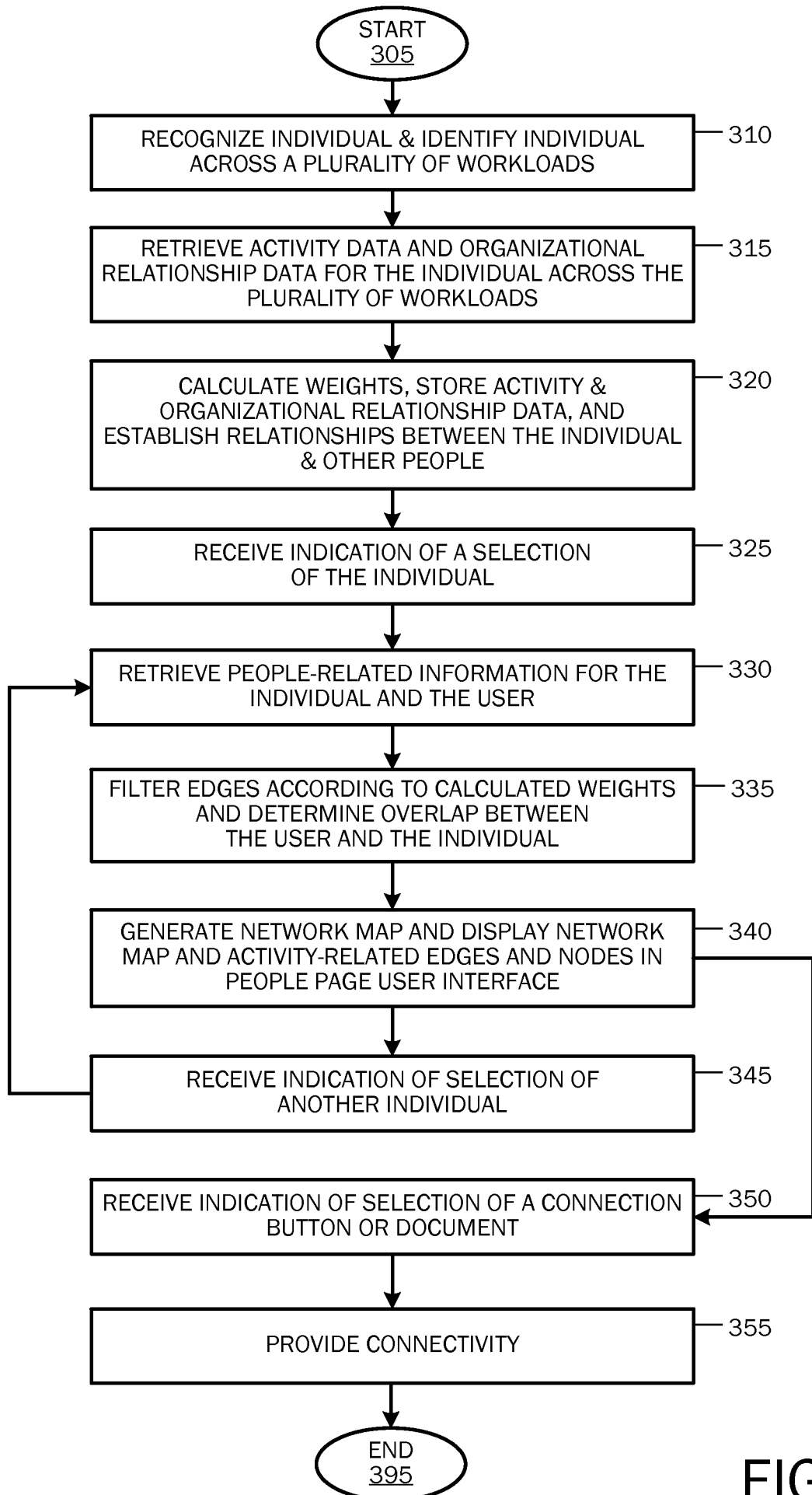
DIRECTS



AJ Mills ■ Sarah Blue ■ Jo Howe

110B

FIG. 2



300 ↙

FIG. 3

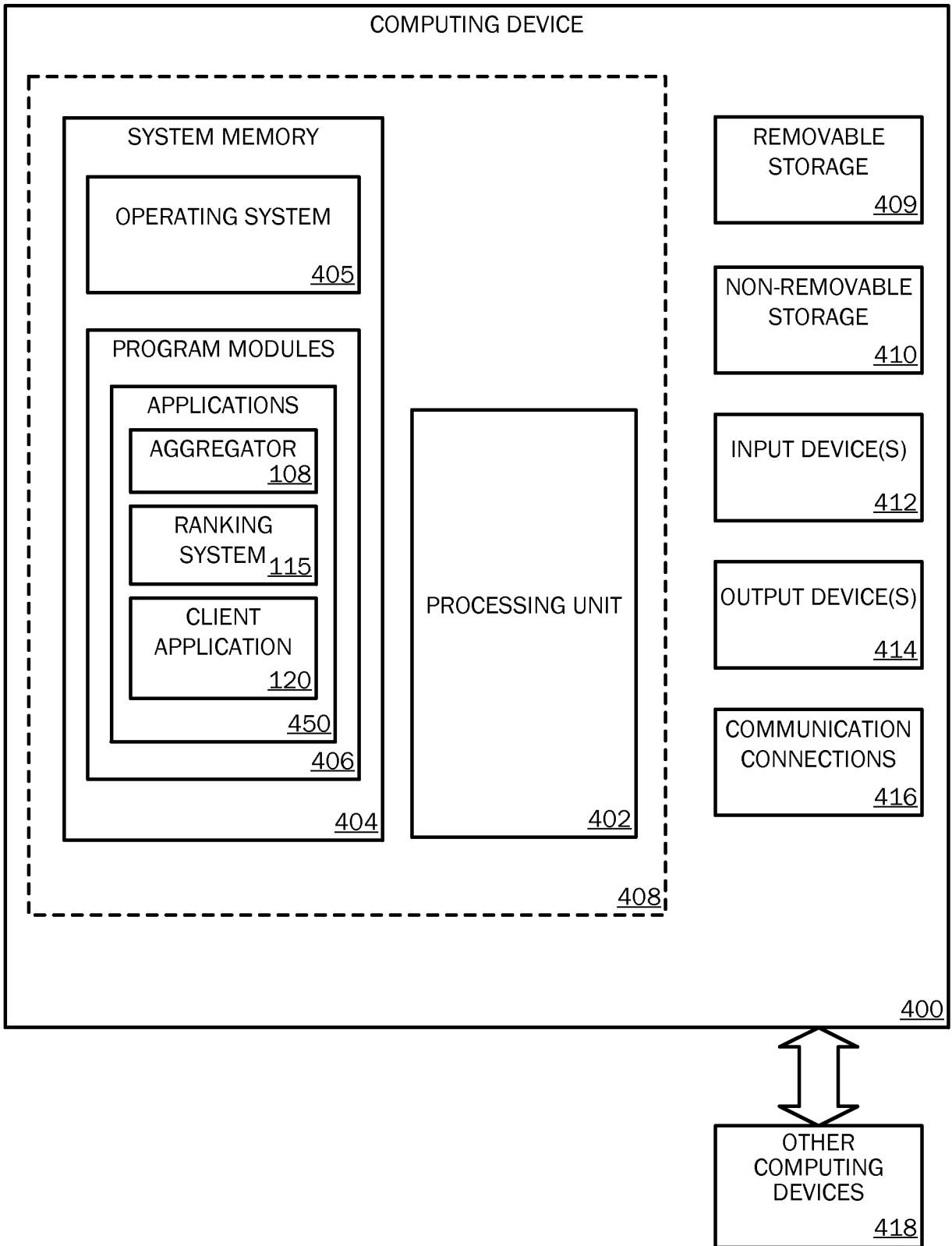
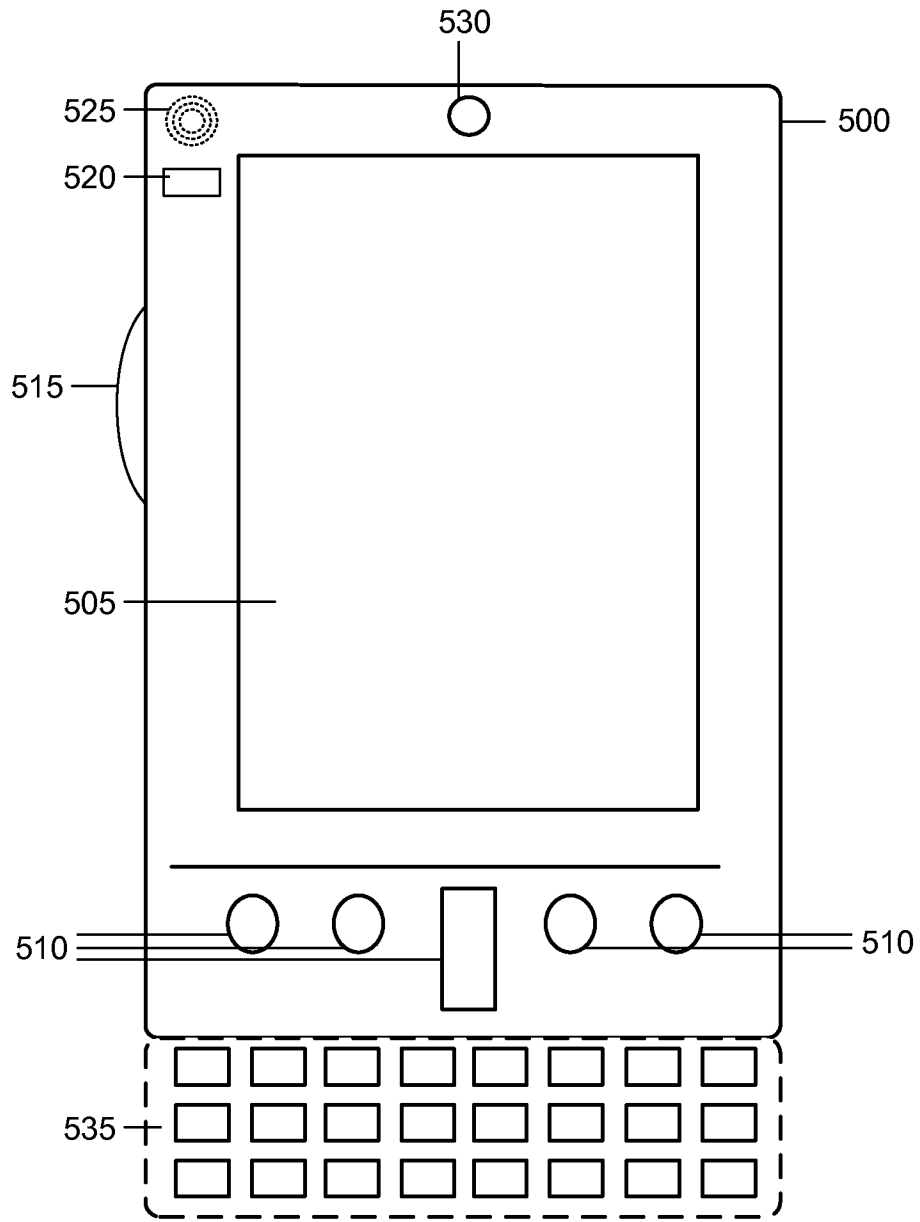


FIG. 4



MOBILE COMPUTING DEVICE

FIG. 5A

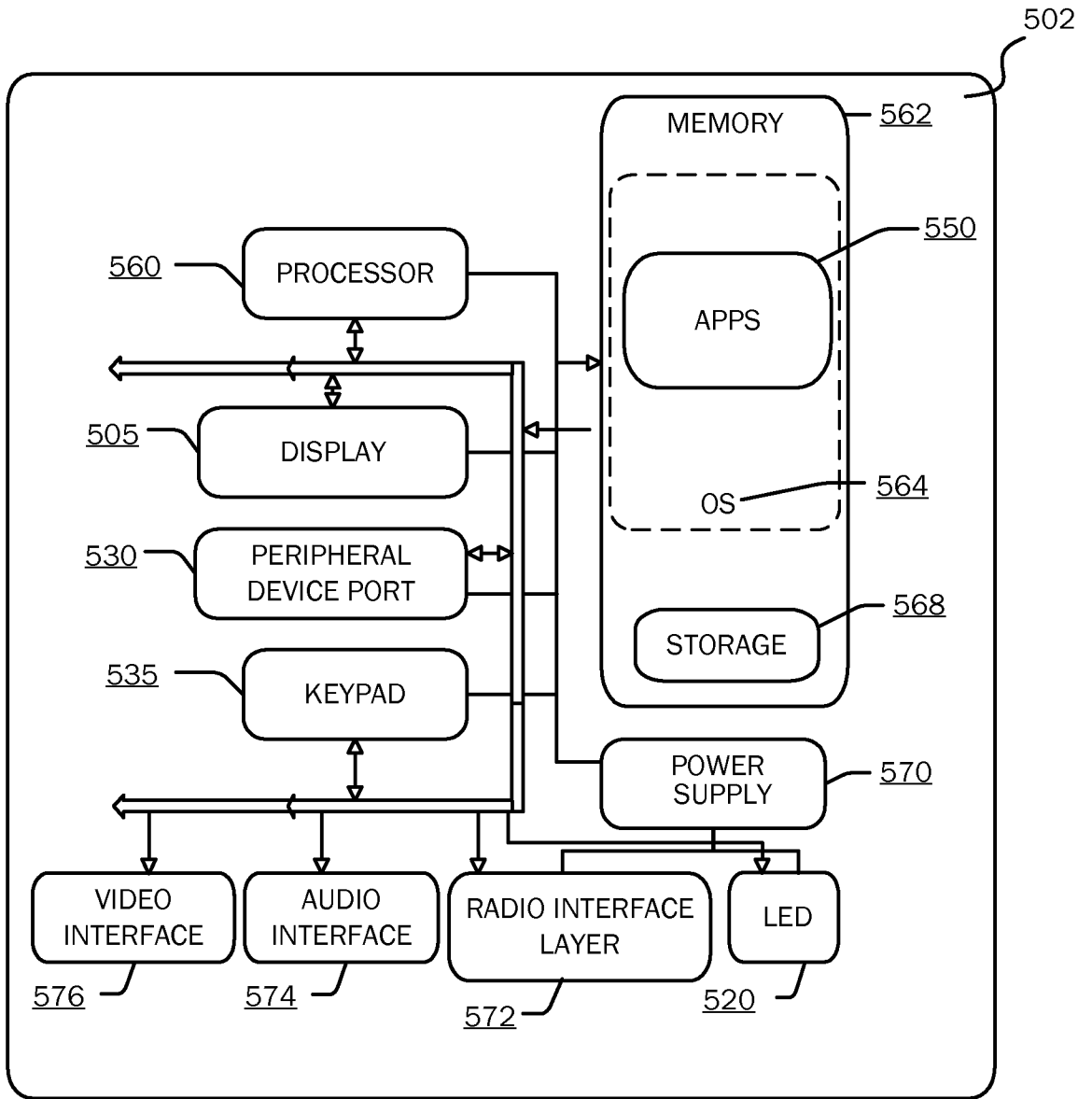


FIG. 5B

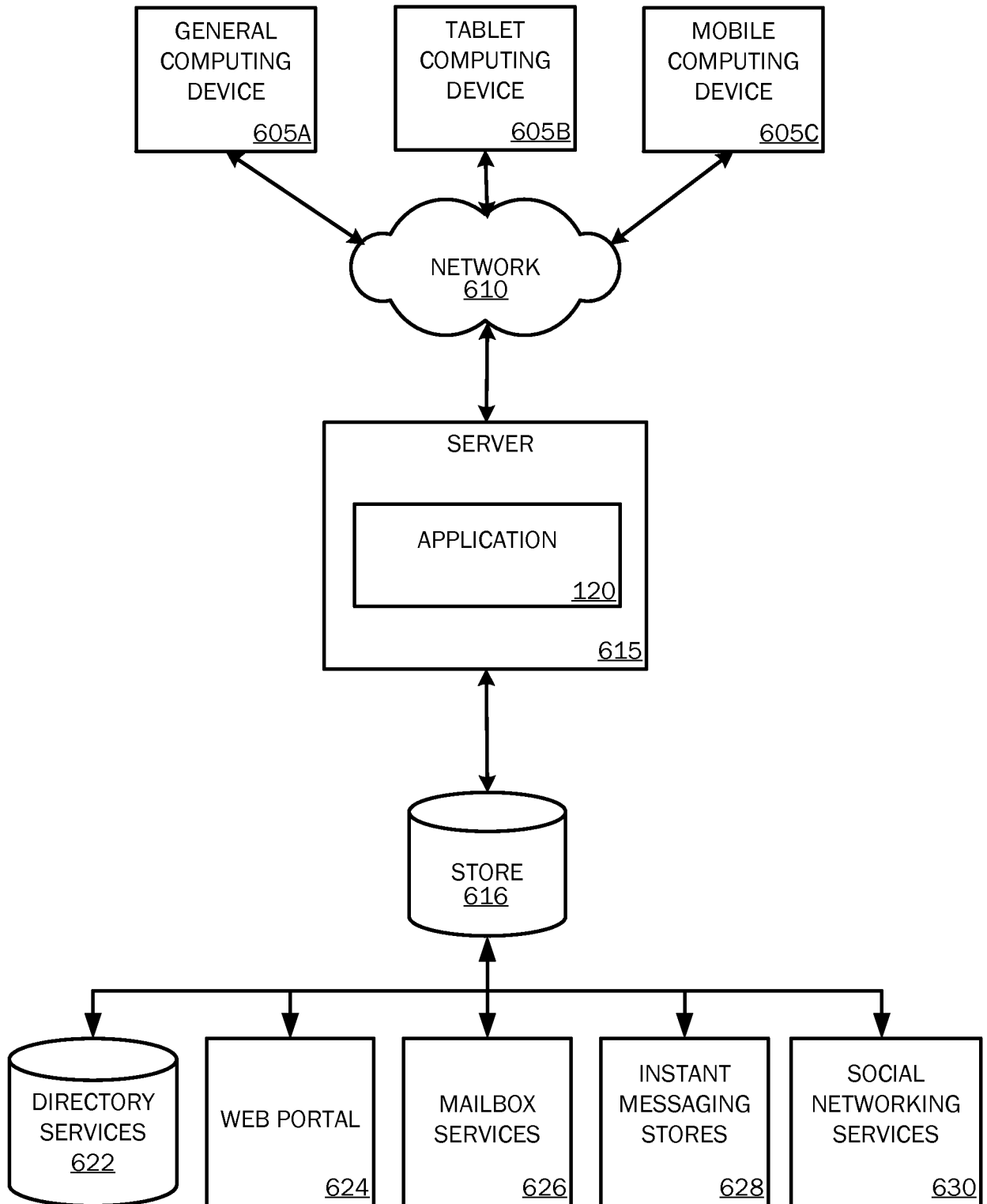


FIG. 6

INTERNATIONAL SEARCH REPORT

International application No PCT/US2015/017617
--

A. CLASSIFICATION OF SUBJECT MATTER INV. G06Q50/00 G06Q90/00 ADD.				
According to International Patent Classification (IPC) or to both national classification and IPC				
B. FIELDS SEARCHED				
Minimum documentation searched (classification system followed by classification symbols) G06Q				
Documentation searched other than minimum documentation to the extent that such documents are included in the fields searched				
Electronic data base consulted during the international search (name of data base and, where practicable, search terms used) EPO-Internal, WPI Data				
C. DOCUMENTS CONSIDERED TO BE RELEVANT				
Category*	Citation of document, with indication, where appropriate, of the relevant passages	Relevant to claim No.		
X	EP 2 426 634 A1 (BLUECONOMICS BUSINESS SOLUTIONS GMBH [CH]) 7 March 2012 (2012-03-07) the whole document -----	1-15		
X	US 2010/082695 A1 (HARDT DICK C [CA]) 1 April 2010 (2010-04-01) the whole document -----	1-15		
X	US 7 519 542 B1 (WAINGOLD ELLIOT [US]) 14 April 2009 (2009-04-14) the whole document -----	1-15		
X	US 2012/144317 A1 (BALASUBRAMANIAN SWAMINATHAN [US] ET AL) 7 June 2012 (2012-06-07) the whole document -----	1-15		
----- -/--				
<input checked="" type="checkbox"/> Further documents are listed in the continuation of Box C. <input checked="" type="checkbox"/> See patent family annex.				
* Special categories of cited documents : <table style="width: 100%; border: none;"> <tr> <td style="width: 50%; border: none; vertical-align: top;"> "A" document defining the general state of the art which is not considered to be of particular relevance "E" earlier application or patent but published on or after the international filing date "L" document which may throw doubts on priority claim(s) or which is cited to establish the publication date of another citation or other special reason (as specified) "O" document referring to an oral disclosure, use, exhibition or other means "P" document published prior to the international filing date but later than the priority date claimed </td> <td style="width: 50%; border: none; vertical-align: top;"> "T" later document published after the international filing date or priority date and not in conflict with the application but cited to understand the principle or theory underlying the invention "X" document of particular relevance; the claimed invention cannot be considered novel or cannot be considered to involve an inventive step when the document is taken alone "Y" document of particular relevance; the claimed invention cannot be considered to involve an inventive step when the document is combined with one or more other such documents, such combination being obvious to a person skilled in the art "&" document member of the same patent family </td> </tr> </table>			"A" document defining the general state of the art which is not considered to be of particular relevance "E" earlier application or patent but published on or after the international filing date "L" document which may throw doubts on priority claim(s) or which is cited to establish the publication date of another citation or other special reason (as specified) "O" document referring to an oral disclosure, use, exhibition or other means "P" document published prior to the international filing date but later than the priority date claimed	"T" later document published after the international filing date or priority date and not in conflict with the application but cited to understand the principle or theory underlying the invention "X" document of particular relevance; the claimed invention cannot be considered novel or cannot be considered to involve an inventive step when the document is taken alone "Y" document of particular relevance; the claimed invention cannot be considered to involve an inventive step when the document is combined with one or more other such documents, such combination being obvious to a person skilled in the art "&" document member of the same patent family
"A" document defining the general state of the art which is not considered to be of particular relevance "E" earlier application or patent but published on or after the international filing date "L" document which may throw doubts on priority claim(s) or which is cited to establish the publication date of another citation or other special reason (as specified) "O" document referring to an oral disclosure, use, exhibition or other means "P" document published prior to the international filing date but later than the priority date claimed	"T" later document published after the international filing date or priority date and not in conflict with the application but cited to understand the principle or theory underlying the invention "X" document of particular relevance; the claimed invention cannot be considered novel or cannot be considered to involve an inventive step when the document is taken alone "Y" document of particular relevance; the claimed invention cannot be considered to involve an inventive step when the document is combined with one or more other such documents, such combination being obvious to a person skilled in the art "&" document member of the same patent family			
Date of the actual completion of the international search	Date of mailing of the international search report			
23 April 2015	06/05/2015			
Name and mailing address of the ISA/ European Patent Office, P.B. 5818 Patentlaan 2 NL - 2280 HV Rijswijk Tel. (+31-70) 340-2040, Fax: (+31-70) 340-3016	Authorized officer Fyhr, Jonas			

INTERNATIONAL SEARCH REPORT

International application No
PCT/US2015/017617

C(Continuation). DOCUMENTS CONSIDERED TO BE RELEVANT

Category*	Citation of document, with indication, where appropriate, of the relevant passages	Relevant to claim No.
X	US 2010/161369 A1 (FARRELL STEPHEN PAUL [US] ET AL) 24 June 2010 (2010-06-24) the whole document -----	1-15

INTERNATIONAL SEARCH REPORT

Information on patent family members

International application No
PCT/US2015/017617

Patent document cited in search report	Publication date	Patent family member(s)	Publication date	
EP 2426634	A1	07-03-2012	EP 2426634 A1	07-03-2012
			US 2012059767 A1	08-03-2012

US 2010082695	A1	01-04-2010	NONE	

US 7519542	B1	14-04-2009	US 7519542 B1	14-04-2009
			US 2009198568 A1	06-08-2009

US 2012144317	A1	07-06-2012	CN 102546745 A	04-07-2012
			US 2012144317 A1	07-06-2012

US 2010161369	A1	24-06-2010	NONE	
