



US00D976472S

(12) **United States Design Patent**  
**Dyson et al.**

(10) **Patent No.:** **US D976,472 S**  
(45) **Date of Patent:** **\*\* Jan. 24, 2023**

- (54) **LAMP**
- (71) Applicant: **Dyson Technology Limited**, Wiltshire (GB)
- (72) Inventors: **Jacob Dyson**, Bath (GB); **Paul Andrew McLuckie**, Bristol (GB); **Simon Christopher Davey**, Gloucester (GB); **Vid Stiglic**, Gloucester (GB)
- (73) Assignee: **Dyson Technology Limited**, Malmesbury (GB)

D555,272 S *	11/2007	Iai	.....	D26/62
D571,943 S *	6/2008	Tragatschnig	.....	D26/66
D604,449 S *	11/2009	Shum	.....	D26/118
D622,882 S *	8/2010	Lee	.....	D26/65
D835,330 S *	12/2018	Richardson	.....	D26/107
D847,403 S *	4/2019	Baker	.....	D26/107
D912,127 S *	3/2021	Wu	.....	D16/235
D947,440 S *	3/2022	Pardo	.....	D26/107

(Continued)

**FOREIGN PATENT DOCUMENTS**

KR 301086074.0000 \* 12/2020

**OTHER PUBLICATIONS**

Dyson, "Dyson Solarcycle Morph desk light", first available Apr. 22, 2020. (<https://www.dyson.com/lighting/desk-lamps/solarcycle-morph-cd06/white-silver>) (Year: 2020).\*

(Continued)

*Primary Examiner* — Lauren D McVey  
*Assistant Examiner* — Justin A Johnson  
(74) *Attorney, Agent, or Firm* — Faegre Drinker Biddle & Reath LLP

- (\*\*) Term: **15 Years**
- (21) Appl. No.: **29/730,781**
- (22) Filed: **Apr. 8, 2020**

(30) **Foreign Application Priority Data**

Oct. 10, 2019 (EM) ..... 007007802-0001

- (51) **LOC (14) Cl.** ..... **26-05**
- (52) **U.S. Cl.**  
USPC ..... **D26/107**

- (58) **Field of Classification Search**  
USPC ... D26/1, 24, 60, 61, 62, 63, 64, 65, 66, 93, D26/104, 105, 106, 107, 108, 110, 145  
CPC ..... F21L 2/00; F21L 4/00; F21L 4/02; F21L 4/025; F21L 4/027; F21L 14/00; F21S 2/00; F21S 8/03; F21S 8/033; F21S 8/035; F21S 6/002; F21S 6/004; F21S 8/036; F21S 8/037; F21S 9/00; F21S 9/02; F21V 21/10; F21V 21/108; F21W 2121/008

See application file for complete search history.

(56) **References Cited**

**U.S. PATENT DOCUMENTS**

D122,711 S *	9/1940	May	.....	D26/109
D297,158 S *	8/1988	Marton	.....	D23/387
D430,686 S *	9/2000	Gismondi	.....	D26/63

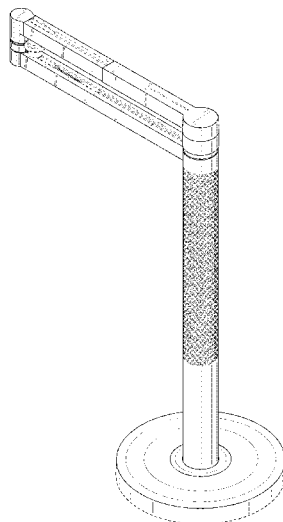
(57) **CLAIM**

We claim the ornamental design for a lamp, as shown and described.

**DESCRIPTION**

FIG. 1 is a rear perspective view of a lamp showing our new design;  
FIG. 2 is a side view thereof;  
FIG. 3 is a side view of the opposite side of FIG. 2;  
FIG. 4 is a front view thereof;  
FIG. 5 is a rear view thereof;  
FIG. 6 top view thereof; and,  
FIG. 7 is a bottom view thereof.  
The broken lines shown in the drawings illustrate portions of a lamp that form no part of the claimed design.

**1 Claim, 7 Drawing Sheets**



(56)

**References Cited**

U.S. PATENT DOCUMENTS

11,415,279 B2\* 8/2022 Dyson ..... F21V 21/30  
2021/0325009 A1\* 10/2021 Dyson ..... F21V 21/30

OTHER PUBLICATIONS

Amazon, "AFROG 8 in1 Multifunctional LED Desk Lamp", first available Mar. 24, 2022. (<https://www.amazon.com/dp/B09WF9QHP8/?th=1>) (Year: 2022).\*

Amazon, "LED Desk Lamp with Wireless Charger", first available Jul. 10, 2022. (<https://www.amazon.com/dp/B0B3RSN5YZ/?th=1>) (Year: 2022).\*

Amazon, "LED Desk Lamp, sympa", first available Mar. 24, 2022. (<https://www.amazon.ca/dp/B09QCSLBBG/?th=1>) (Year: 2022).\*

\* cited by examiner

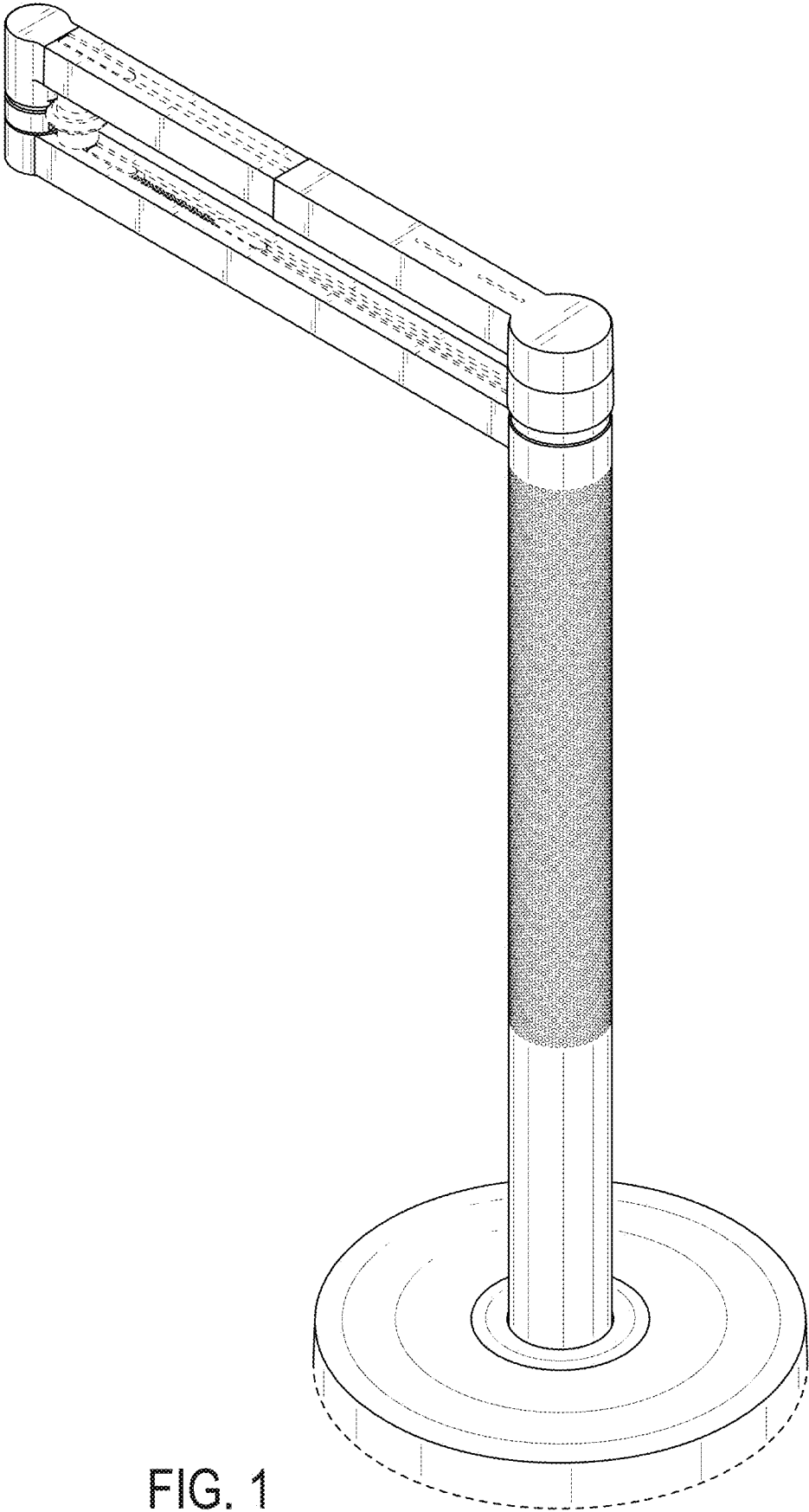


FIG. 1

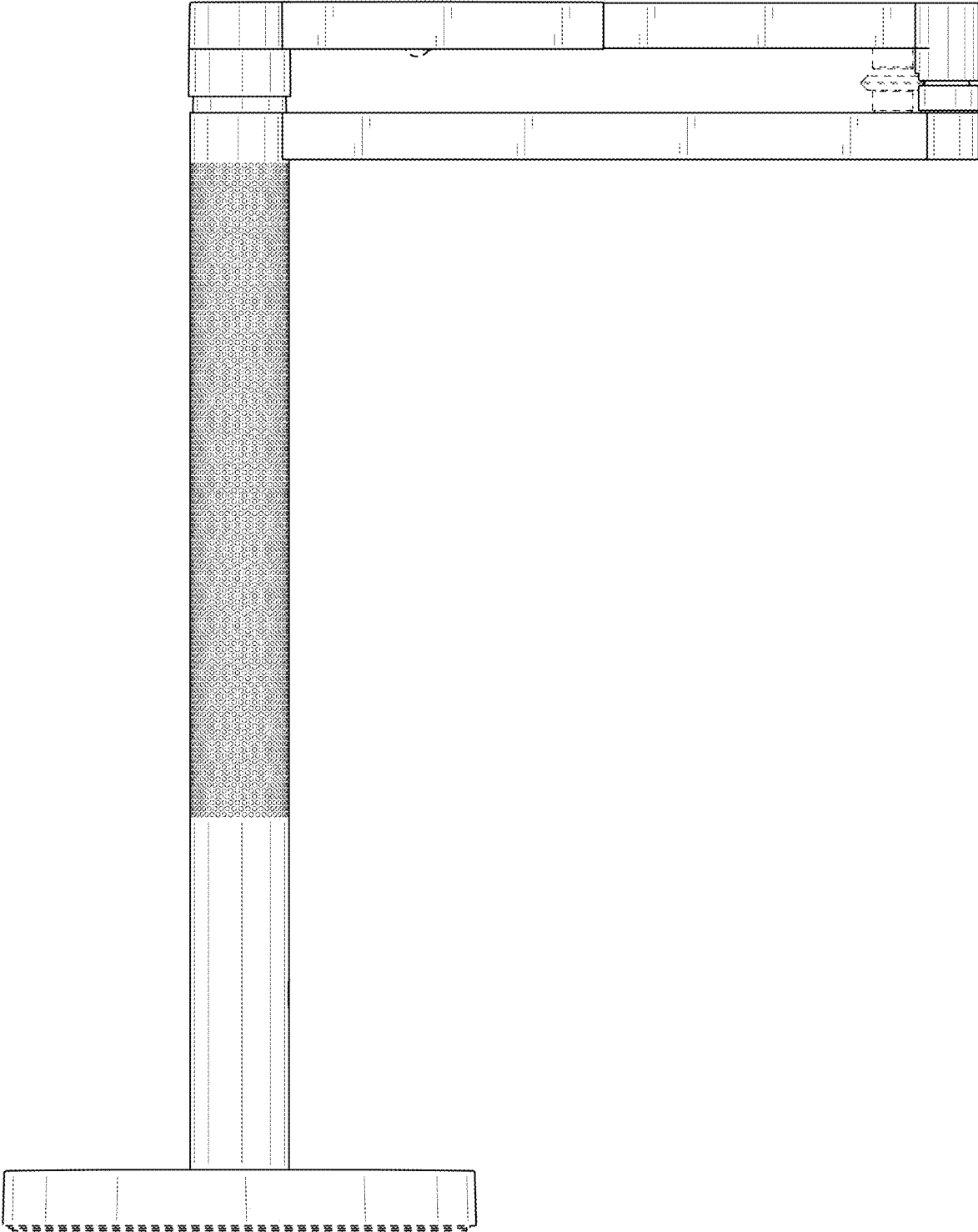


FIG. 2

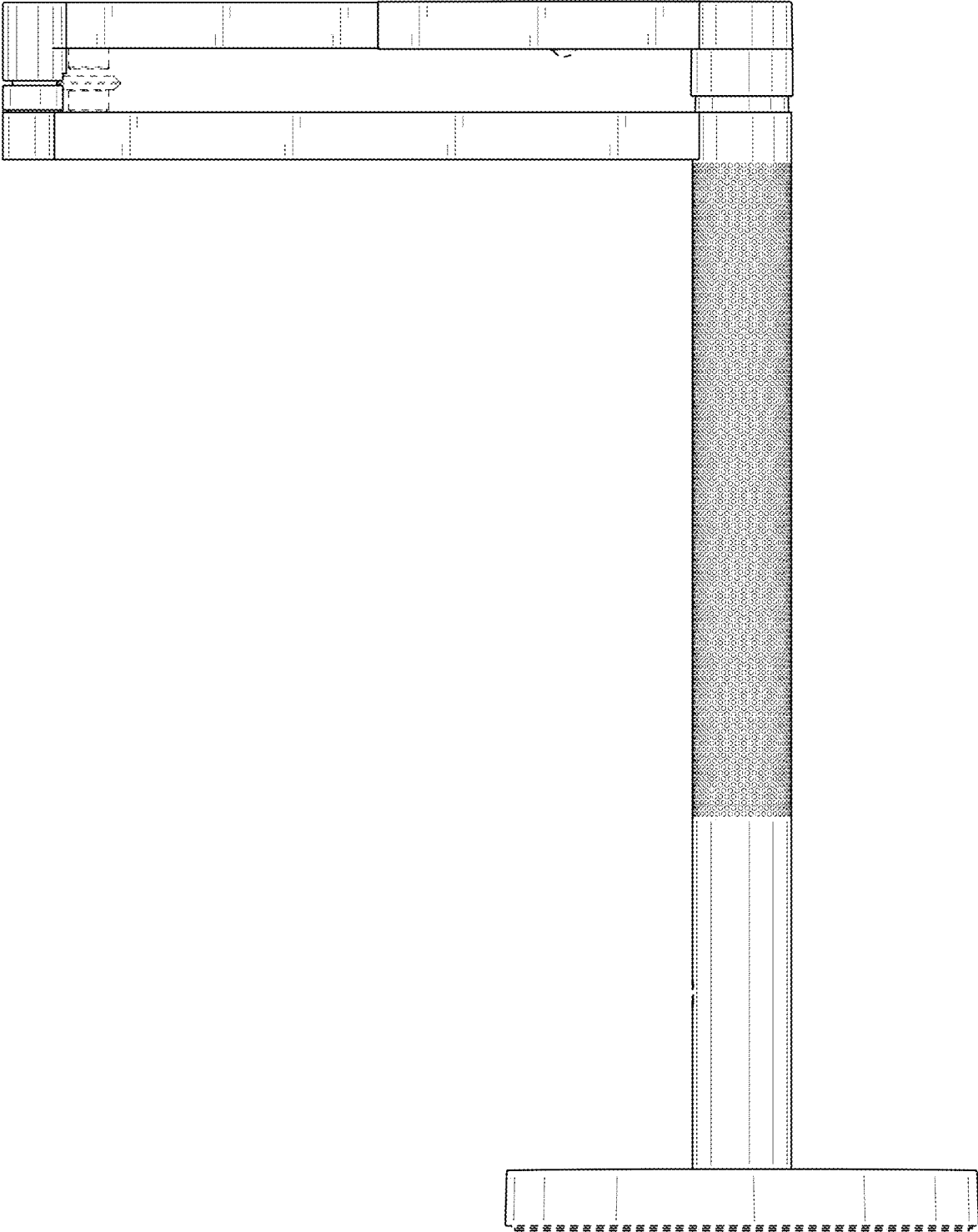


FIG. 3

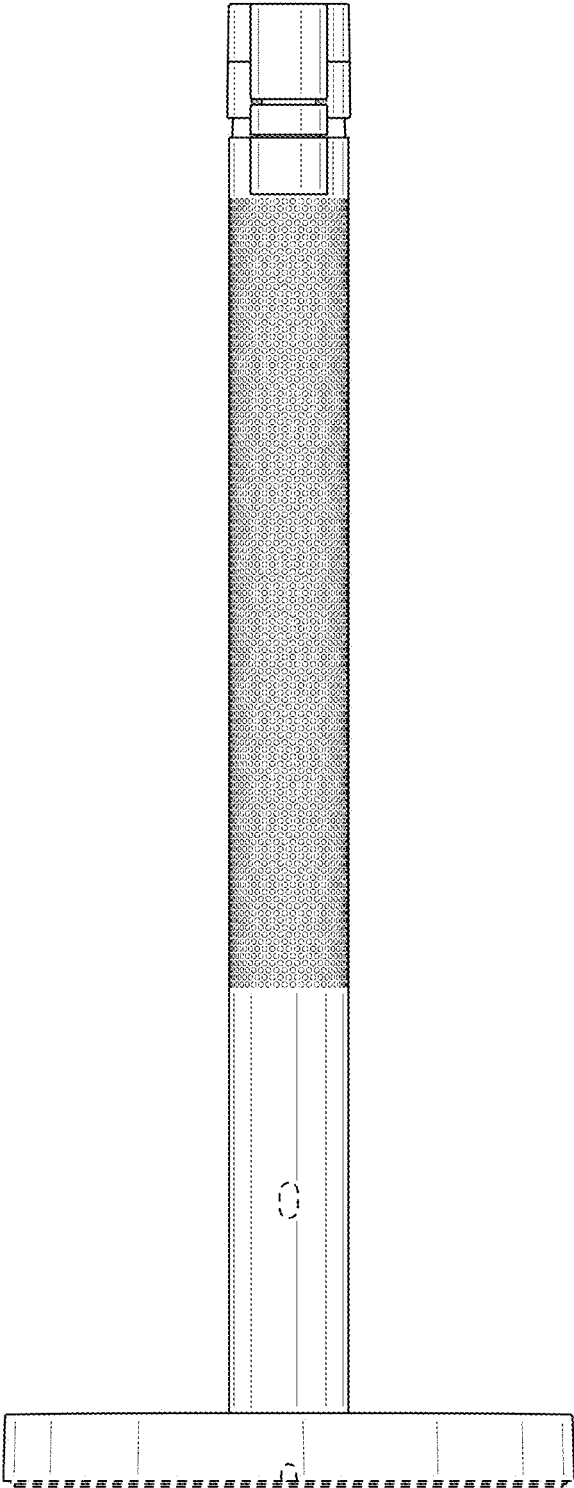


FIG. 4

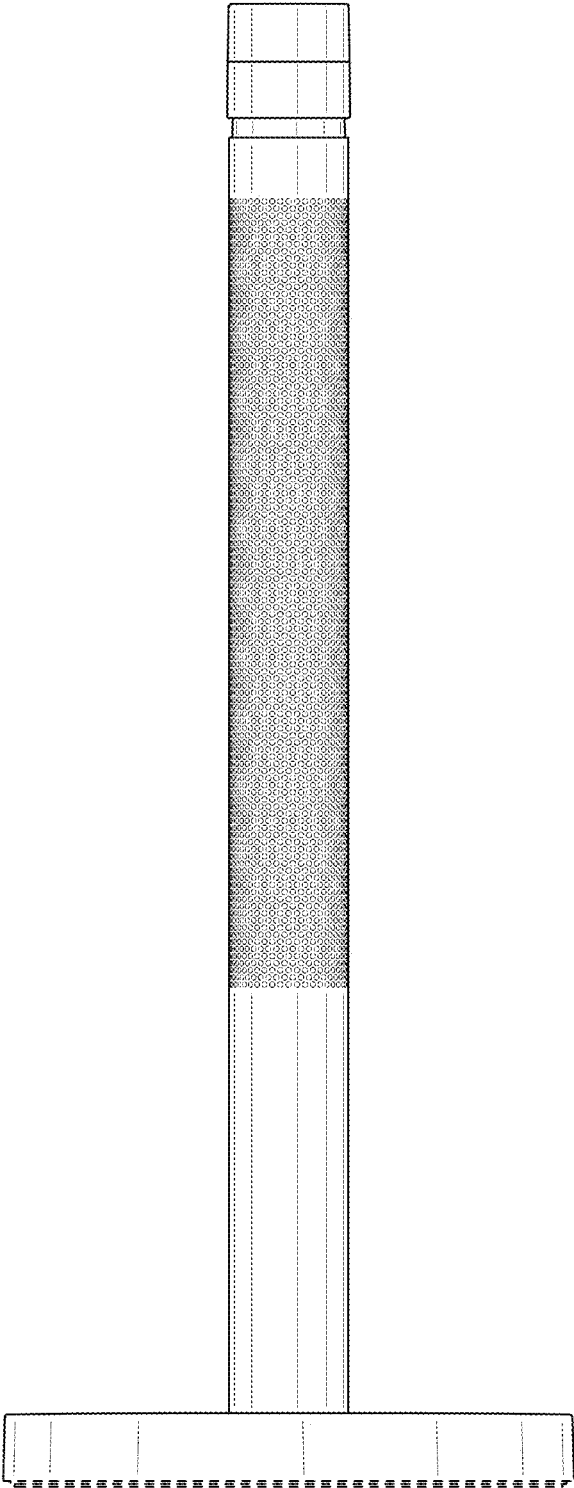


FIG. 5

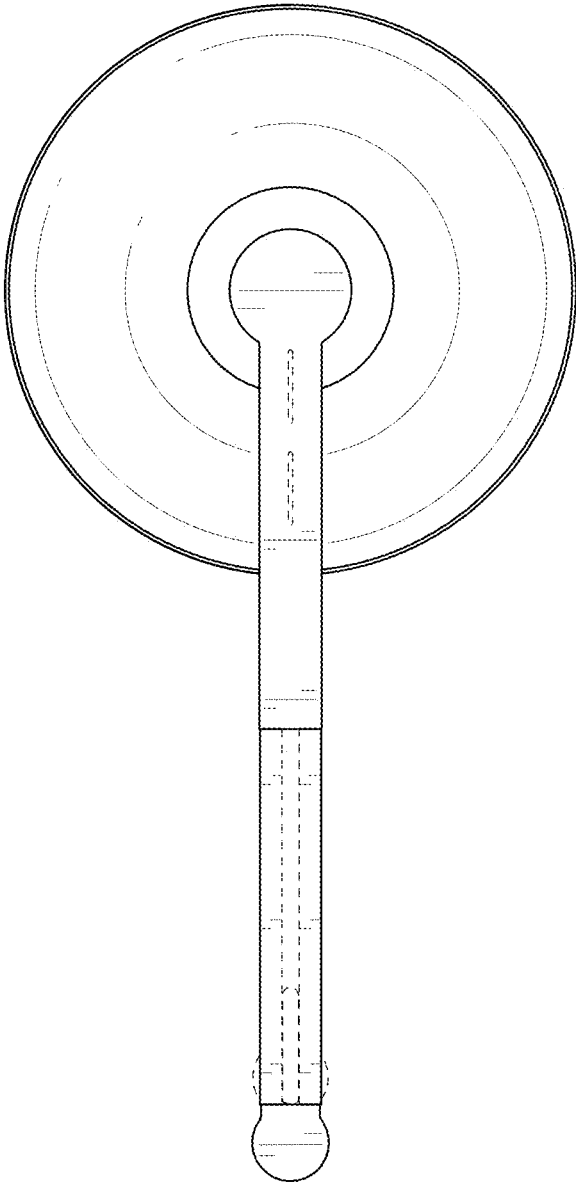


FIG. 6



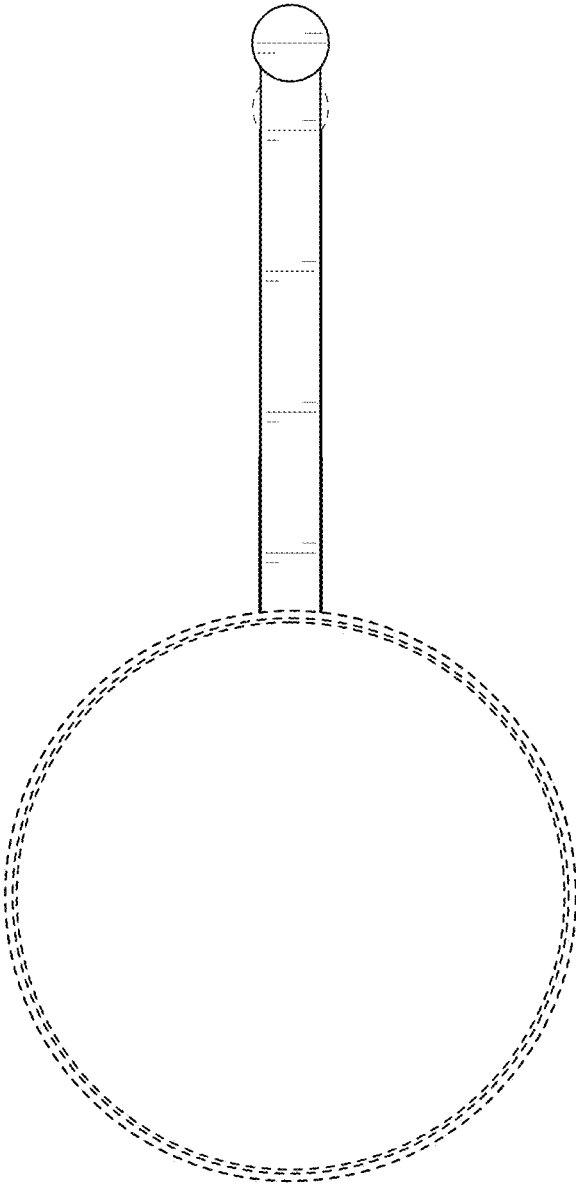


FIG. 7