



US00D837388S

(12) **United States Design Patent**  
**DaCosta et al.**

(10) **Patent No.:** **US D837,388 S**

(45) **Date of Patent:** **\*\* Jan. 1, 2019**

(54) **HANDHELD DEVICE**

**FOREIGN PATENT DOCUMENTS**

(71) Applicant: **MolecuLight, Inc.**, Toronto (CA)

EM 000685813-0002 3/2007  
EM 000883749-0001 3/2008

(Continued)

(72) Inventors: **Ralph DaCosta**, Etobicoke (CA);  
**Craig Kennedy**, Hickory, NC (US);  
**Catherine Theodoropoulos**, Toronto  
(CA); **Nitesh Mistry**, Markham (CA);  
**Danielle Starr**, Toronto (CA); **Todd  
Daynes**, Aurora (CA); **Todd Meaney**,  
Thornhill (CA); **Liis Teene**, Toronto  
(CA); **Christopher Aiston**, Mont  
Vernon, NH (US); **Sarah Reed**,  
Louisville, CO (US); **Bob McCaffrey**,  
Hillsborough, NH (US); **Art  
Rousmaniere**, Andover, MA (US); **José  
Wong**, Bedord, NH (US)

**OTHER PUBLICATIONS**

MolecuLight I:X. Moleculight Inc. Date not available.\*

*Primary Examiner* — Anhdao Doan

(74) *Attorney, Agent, or Firm* — Jones Robb, PLLC

(57)

**CLAIM**

The ornamental design for a handheld device, as shown and described.

**DESCRIPTION**

The patent or application file contains at least one drawing executed in color. Copies of this patent or patent application publication with color drawing(s) will be provided by the Office upon request and payment of the necessary fee.

FIG. 1 is a front perspective view of a first embodiment of a handheld device showing our new design.

FIG. 2 is back perspective view thereof.

FIG. 3 is another back perspective view thereof.

FIG. 4 is a front view thereof.

FIG. 5 is a back view thereof.

FIG. 6 is a right side view thereof.

FIG. 7 is a left side view thereof.

FIG. 8 is a top view thereof.

FIG. 9 is a bottom view thereof.

FIG. 10 is a front perspective view of a second embodiment of a handheld device showing our new design.

FIG. 11 is a back perspective view thereof.

FIG. 12 is another back perspective view thereof.

FIG. 13 is a front view thereof.

FIG. 14 is a back view thereof.

FIG. 15 is a right side view thereof.

FIG. 16 is a left side view thereof.

FIG. 17 is a top view thereof.

FIG. 18 is a bottom view thereof.

(Continued)

(73) Assignee: **MOLECULIGHT, INC.**, Toronto, ON (CA)

(\*\*) Term: **15 Years**

(21) Appl. No.: **29/505,784**

(22) Filed: **Feb. 8, 2016**

(51) **LOC (11) Cl.** ..... **24-01**

(52) **U.S. Cl.**

USPC ..... **D24/186**

(58) **Field of Classification Search**

USPC ..... D24/158-160, 186, 107, 137, 185;

D10/78

(Continued)

(56) **References Cited**

**U.S. PATENT DOCUMENTS**

D424,029 S 5/2000 Collins

D461,185 S 8/2002 Ando

(Continued)

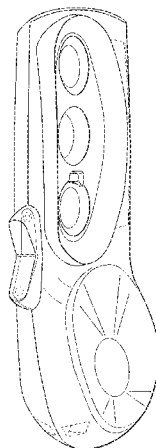


FIG. 19 is a front perspective view of a third embodiment of a handheld device showing our new design.  
 FIG. 20 is a back perspective thereof.  
 FIG. 21 is another back perspective view thereof.  
 FIG. 22 is a front view thereof.  
 FIG. 23 is a back view thereof.  
 FIG. 24 is a right side view thereof.  
 FIG. 25 is a left side view thereof.  
 FIG. 26 is a top view thereof; and,  
 FIG. 27 is a bottom view thereof.  
 The broken lines shown in FIGS. 1-9 illustrate portions of the handheld device that form no part of the claimed design. The broken ones shown in FIGS. 10-27 are included for the purposes of illustrating environment and form no part of the claimed design.  
 The white portions in FIGS. 10-18 indicate a contrast in the appearance of the handheld device.

**1 Claim, 21 Drawing Sheets  
 (13 of 21 Drawing Sheet(s) Filed in Color)**

D546,458 S	7/2007	Hannant	
D549,830 S	8/2007	Behar et al.	
D550,364 S	9/2007	Glover et al.	
D557,422 S	12/2007	Arbogast et al.	
D601,257 S	9/2009	Berlinger et al.	
D606,659 S	12/2009	Kiani et al.	
D612,275 S	3/2010	Salter et al.	
D621,515 S	8/2010	Chua et al.	
D622,393 S	8/2010	Gatrall et al.	
D623,754 S	9/2010	Tuhkanen	
D633,502 S	3/2011	Alegiani	
D659,840 S *	5/2012	Cheng .....	D24/137
D663,421 S	7/2012	Steiner et al.	
D684,490 S	6/2013	Nelson et al.	
D684,491 S	6/2013	Confield et al.	
D699,853 S	2/2014	Confield et al.	
D701,781 S	4/2014	Chen et al.	
D724,216 S *	3/2015	Gant .....	D24/158
9,042,967 B2 *	5/2015	Dacosta .....	A61B 5/0059 600/476
D740,945 S *	10/2015	Booth .....	D24/158
D753,308 S *	4/2016	Marinkovich .....	D24/158
D769,447 S *	10/2016	Choumach .....	D24/158
D775,360 S *	12/2016	Berg .....	D24/186
D790,708 S *	6/2017	Personnelli .....	D24/158

(58) **Field of Classification Search**  
 CPC ... A61B 5/0059; A61B 5/0066; A61B 5/0071;  
 A61B 5/0077; A61B 5/445; G01N  
 21/6456; G01N 21/6458; G01N 21/631  
 See application file for complete search history.

(56) **References Cited**  
 U.S. PATENT DOCUMENTS  
 D461,895 S 8/2002 Barnes et al.  
 D462,446 S 9/2002 Felix et al.  
 D484,600 S 12/2003 Kaar et al.  
 D495,418 S 8/2004 Rounds et al.  
 D534,445 S 1/2007 Kaushal et al.  
 D545,436 S 6/2007 Padain

FOREIGN PATENT DOCUMENTS

EM	001720046-0003	7/2010
EM	002101980-0001	9/2012
FR	062591-0001	11/2006
ID	78051	2/1996
ID	110267	1/2007
ID	126577	1/2009
ID	127921	9/2009
ID	143092	6/2012
ID	150134	1/2014
ID	154985	11/2014
RU	57295	7/2005
RU	77626	2/2011
SE	69788-0001	11/2003

\* cited by examiner

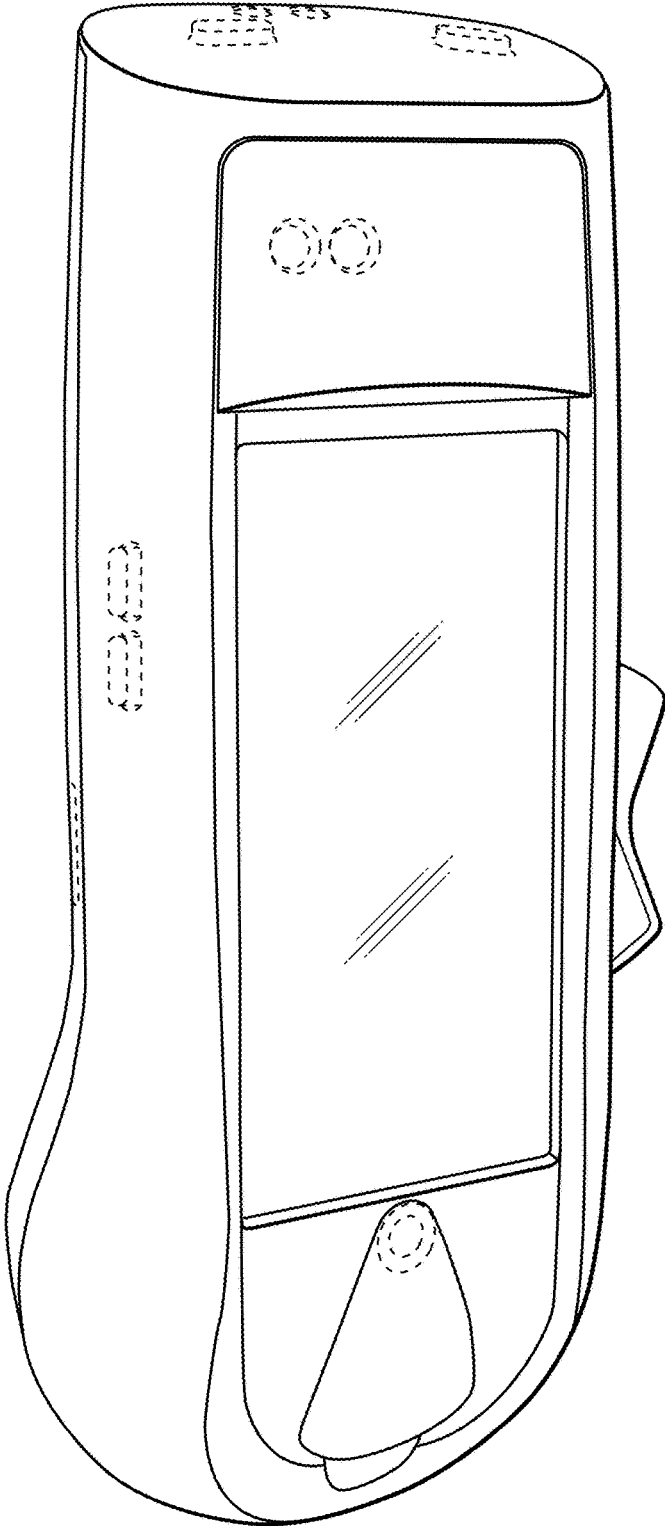


FIG. 1

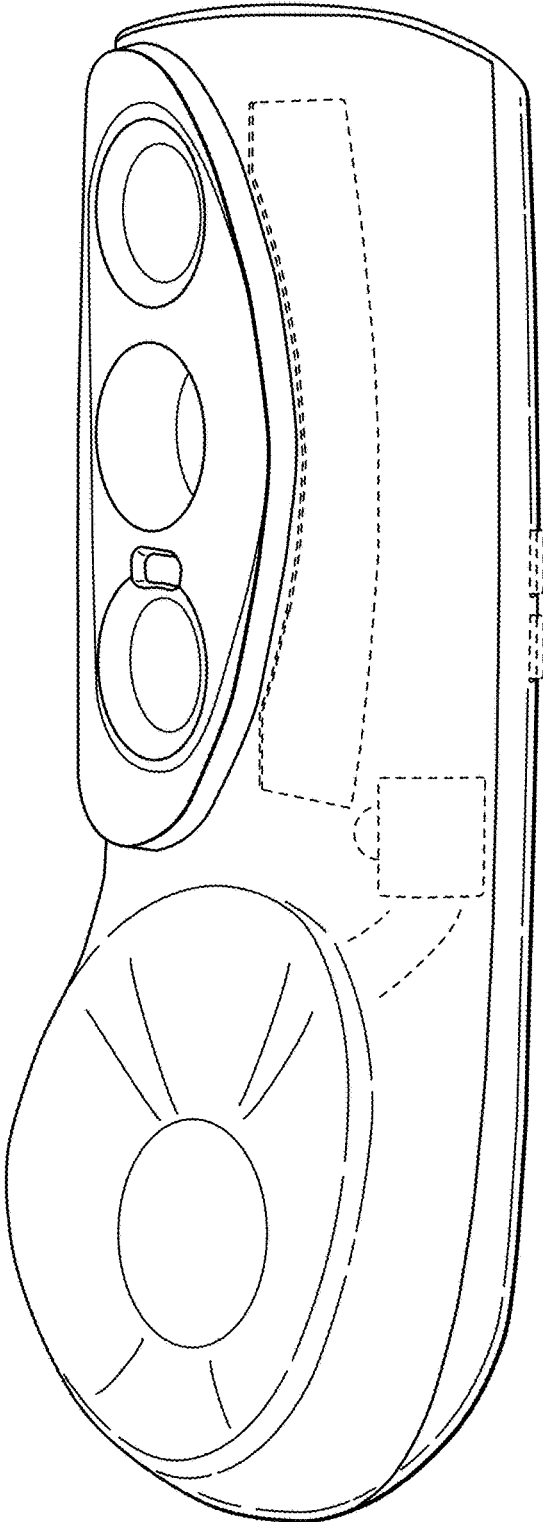


FIG. 2

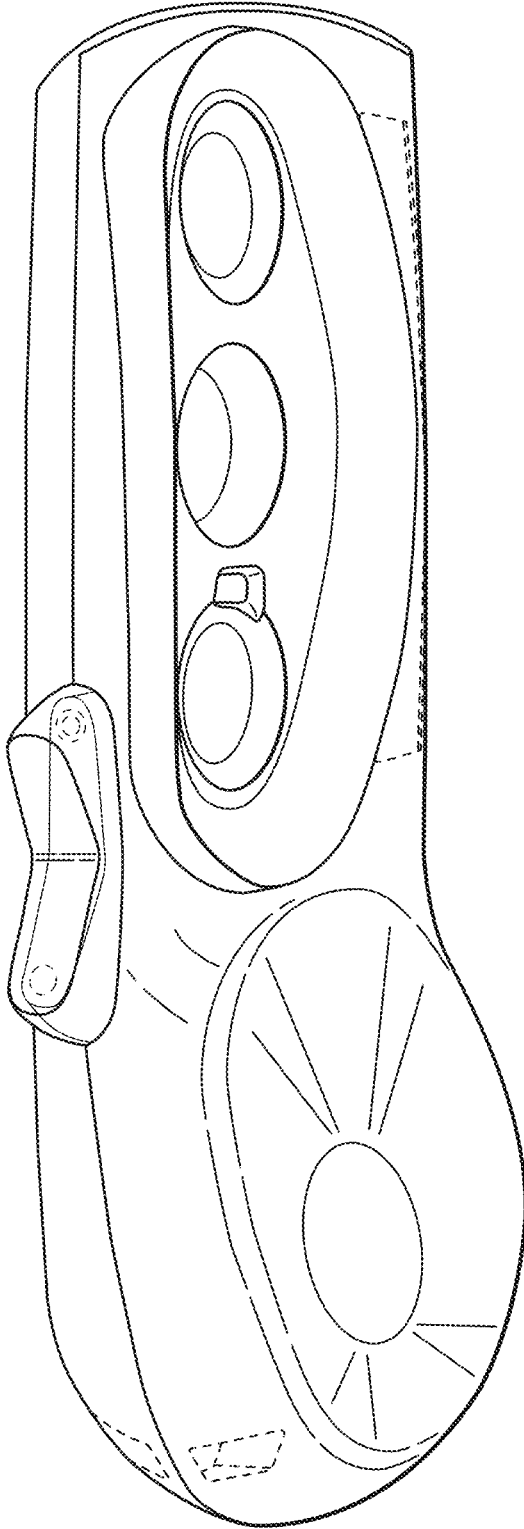


FIG. 3

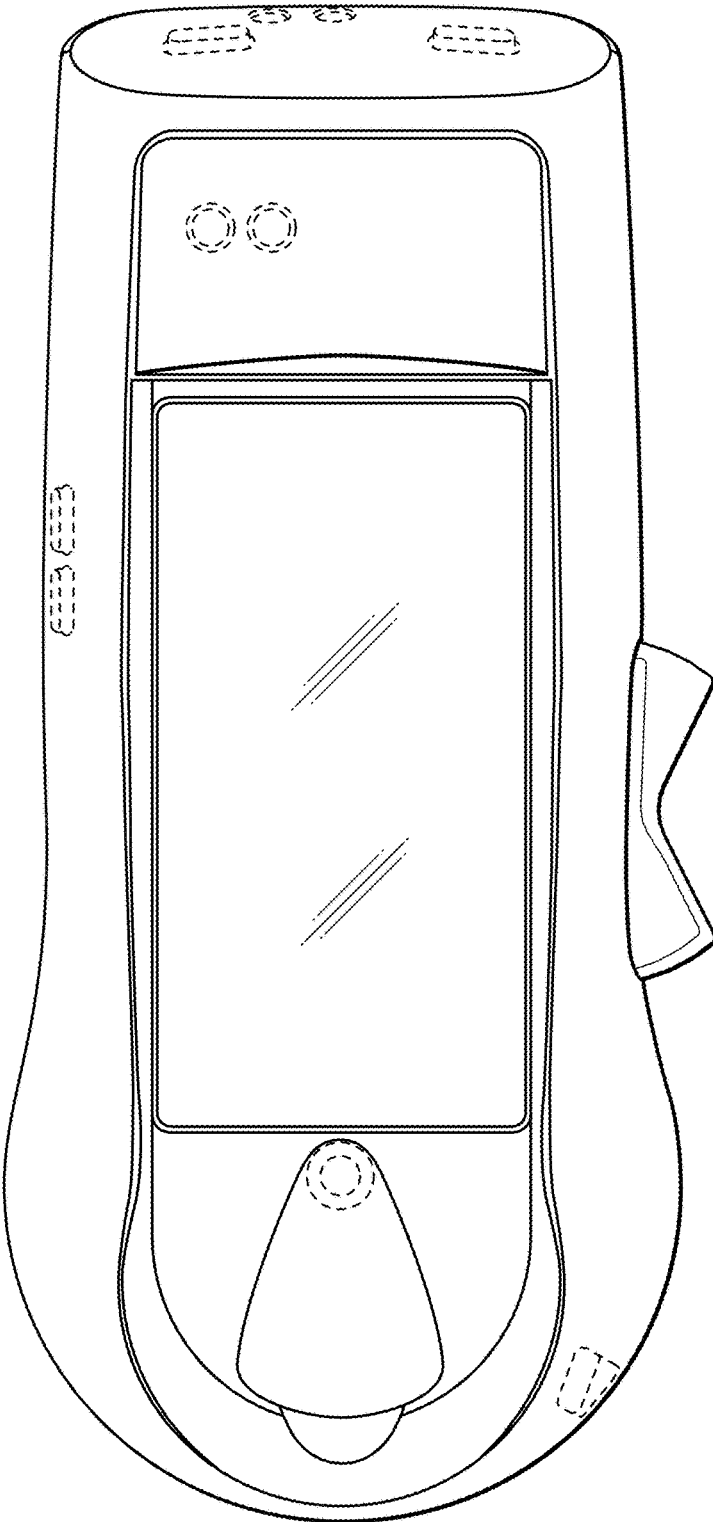


FIG. 4

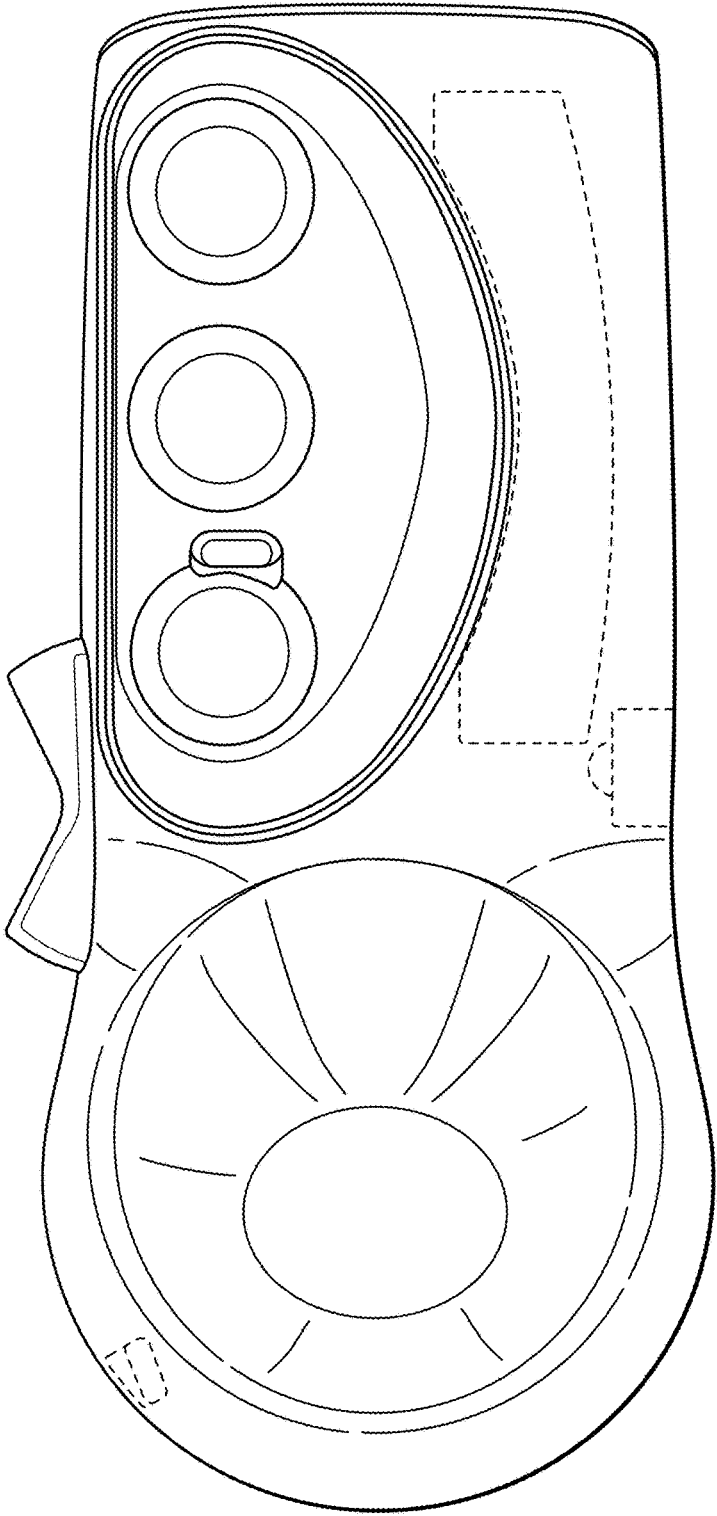


FIG. 5

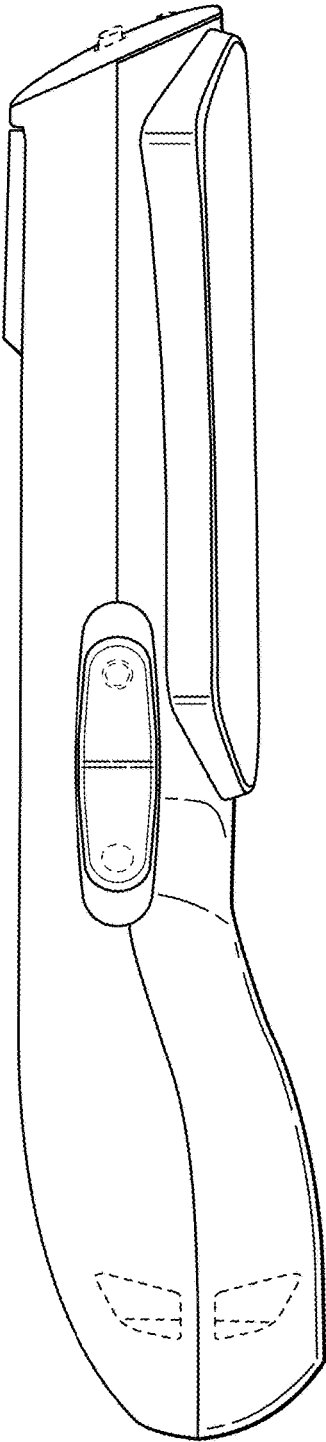


FIG. 6

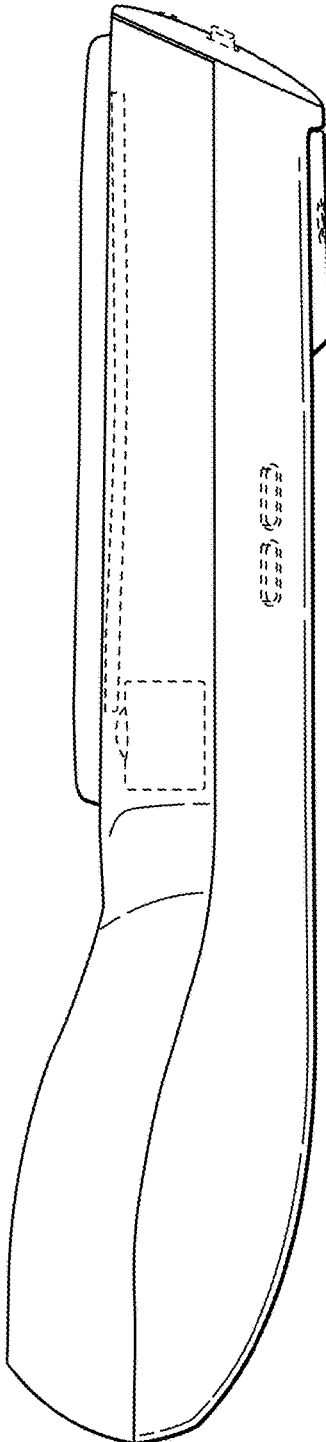


FIG. 7



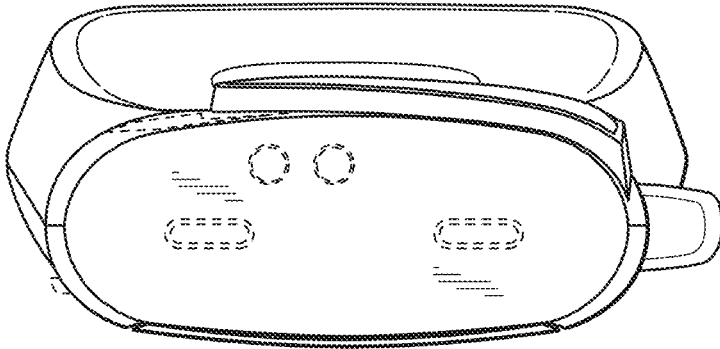


FIG. 8

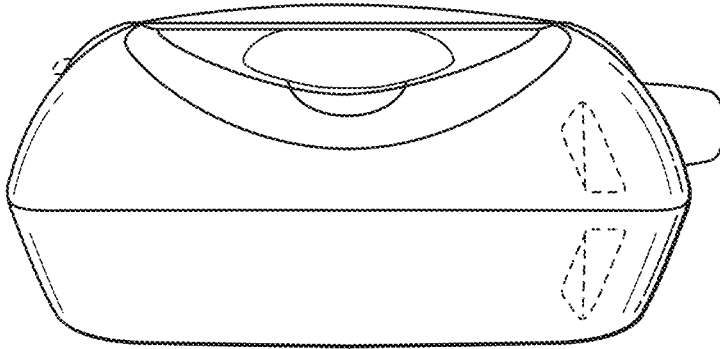


FIG. 9

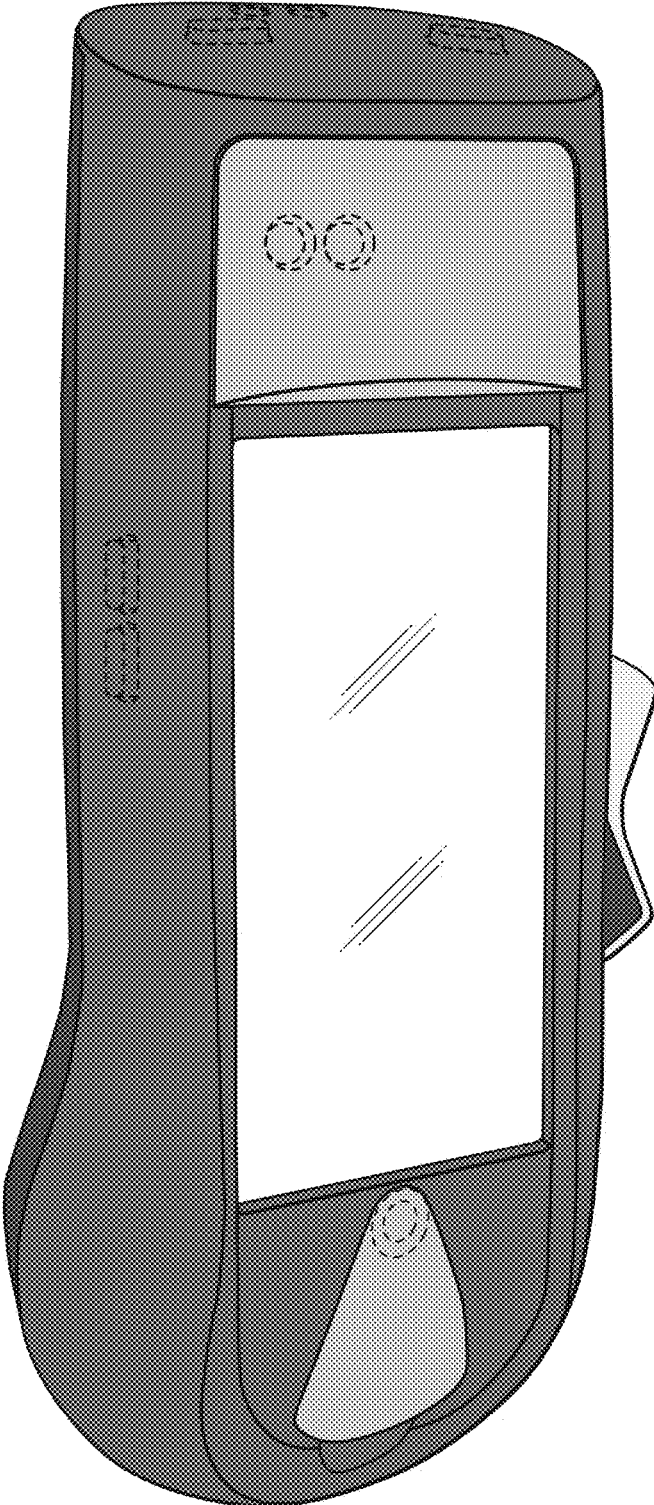


FIG. 10

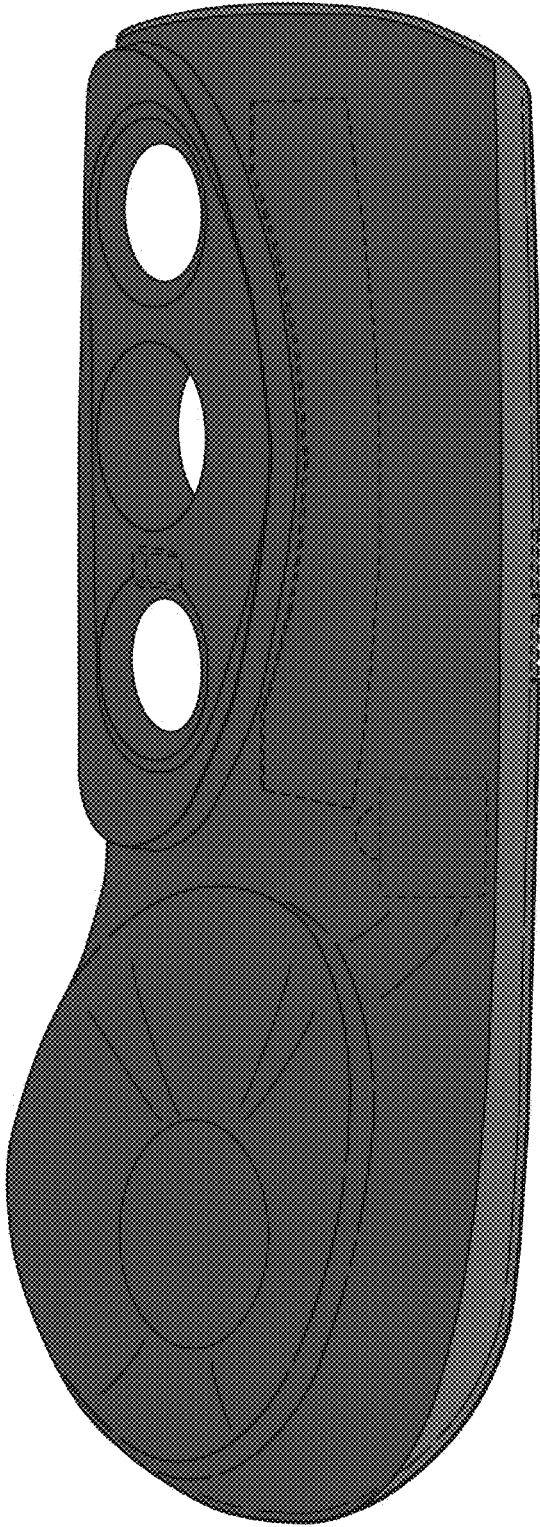


FIG. 11

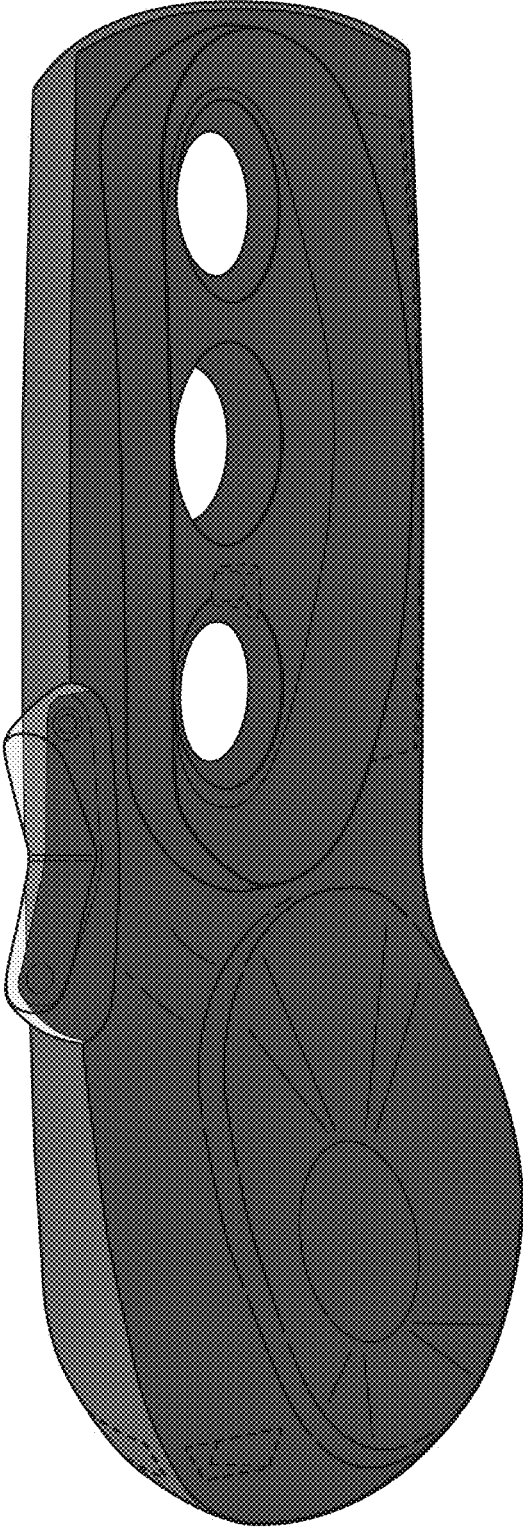


FIG. 12

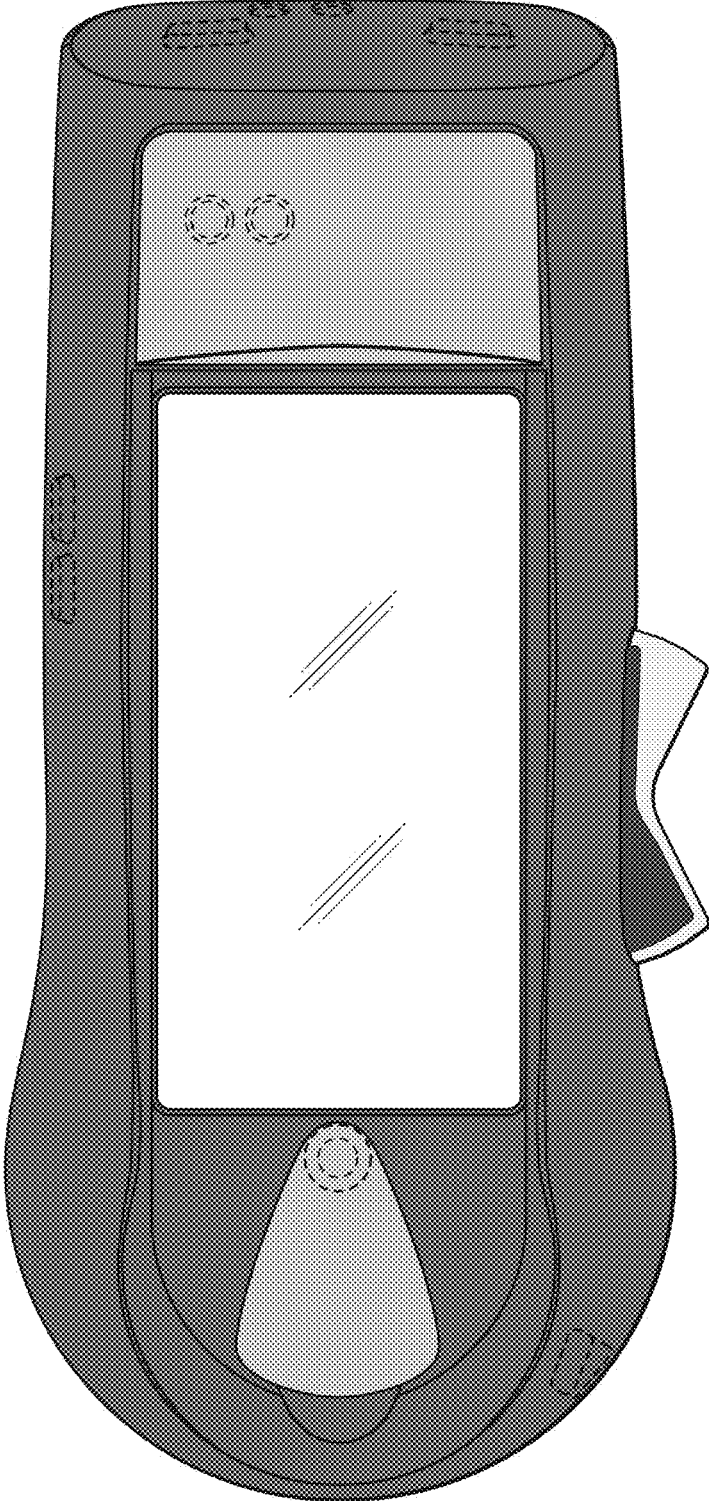


FIG. 13

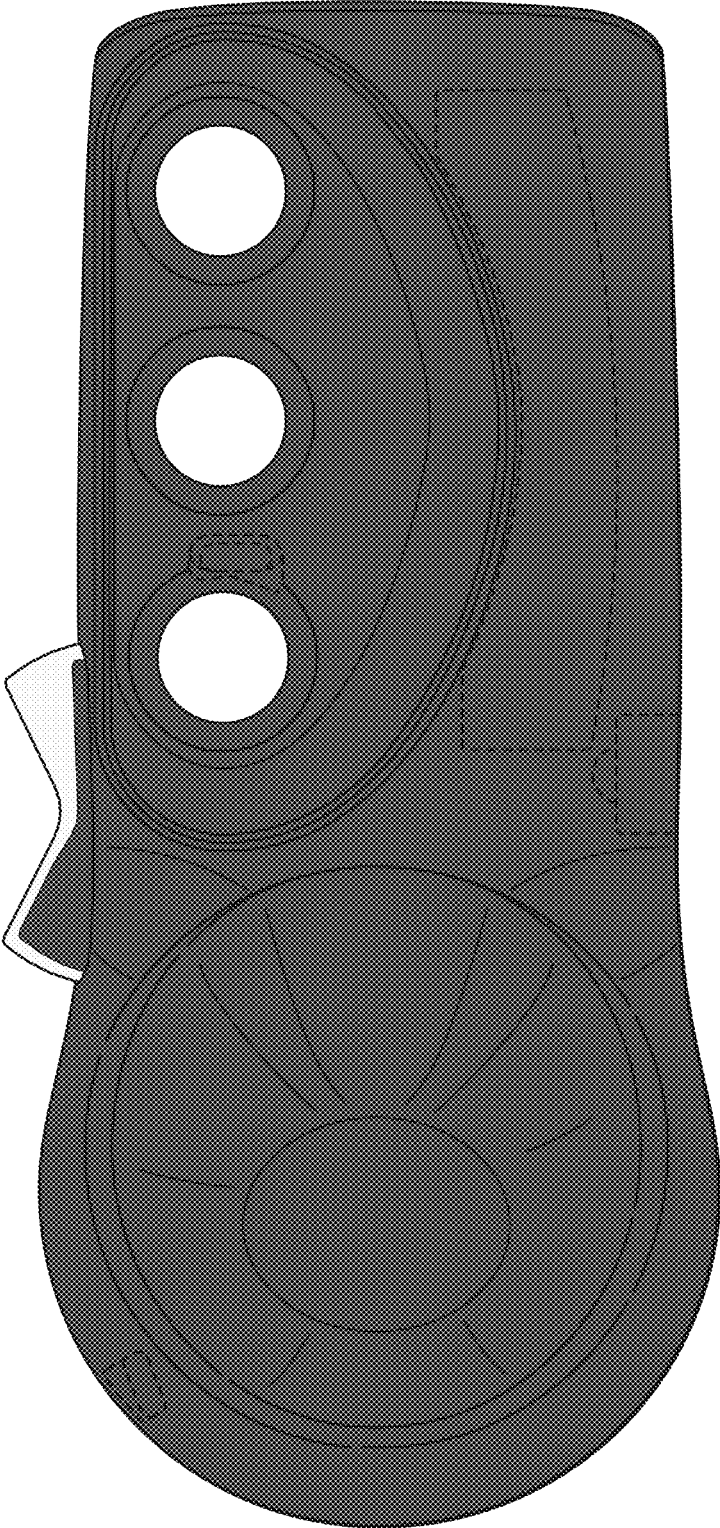


FIG. 14

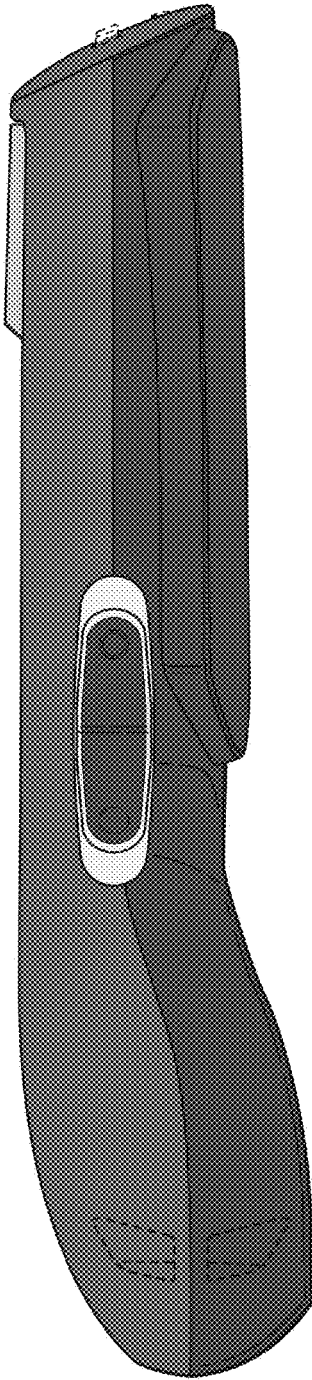


FIG. 15

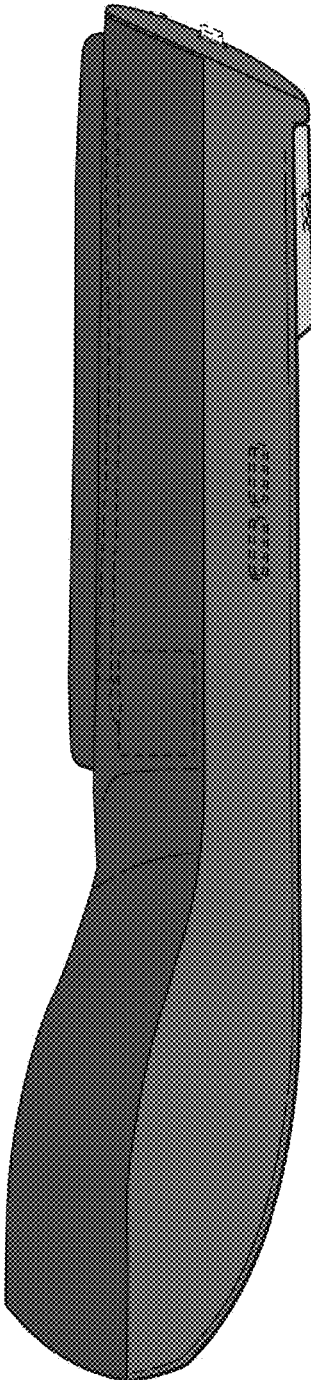


FIG. 16

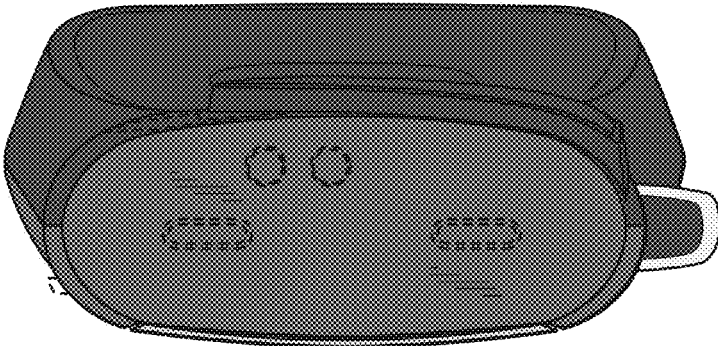


FIG. 17

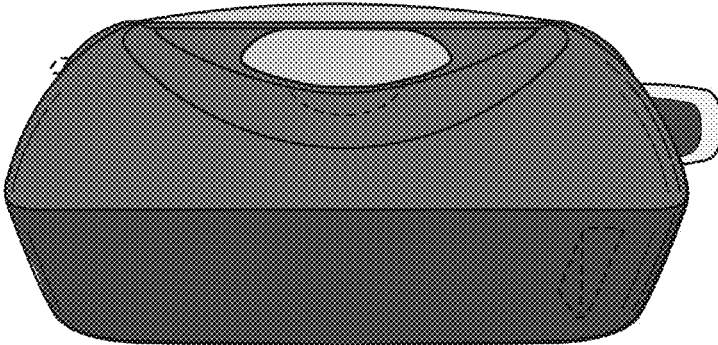


FIG. 18



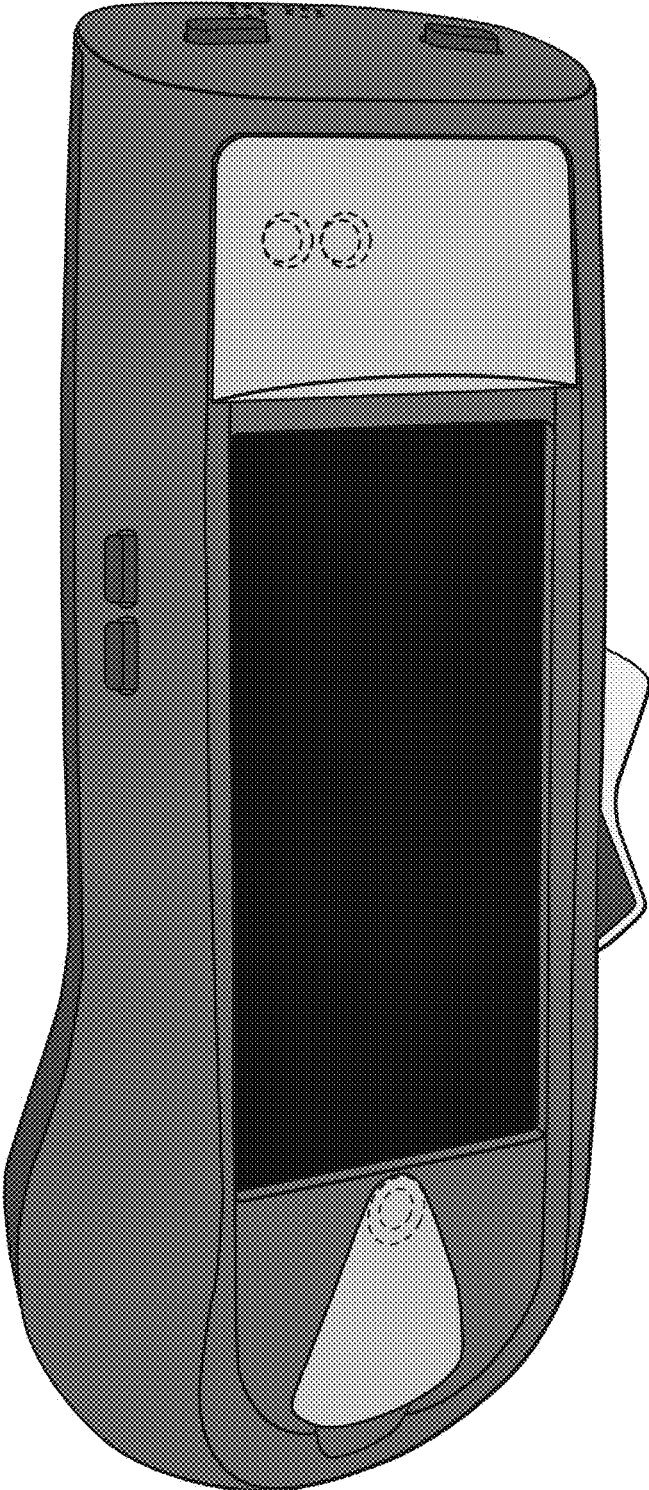


FIG. 19

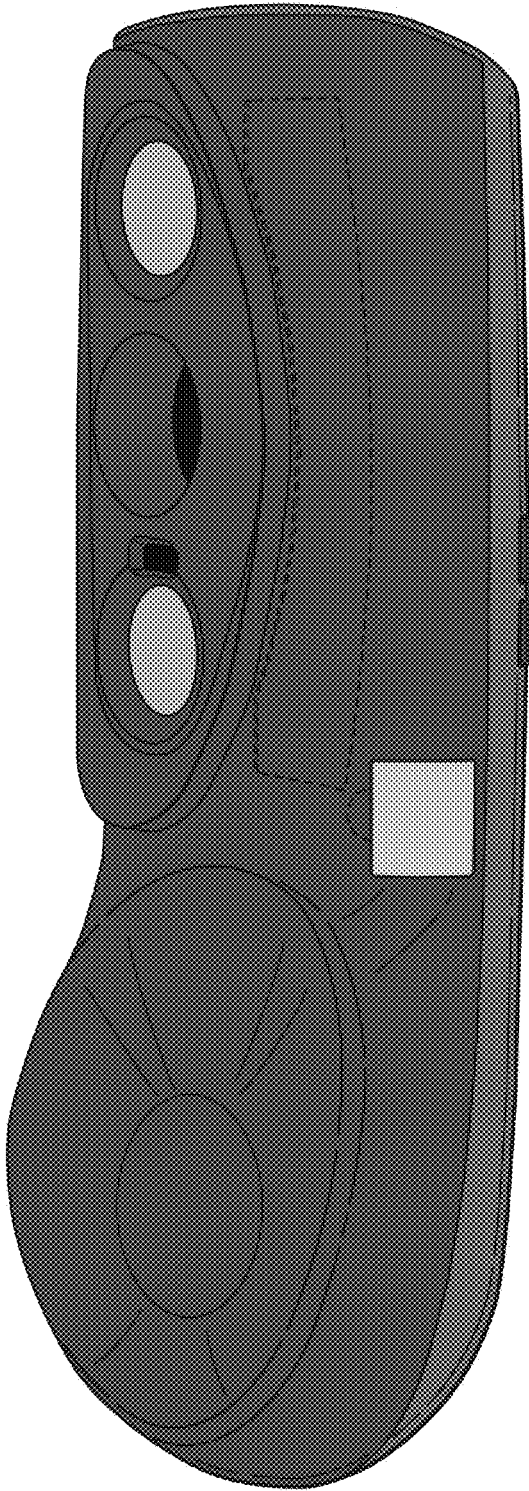


FIG. 20

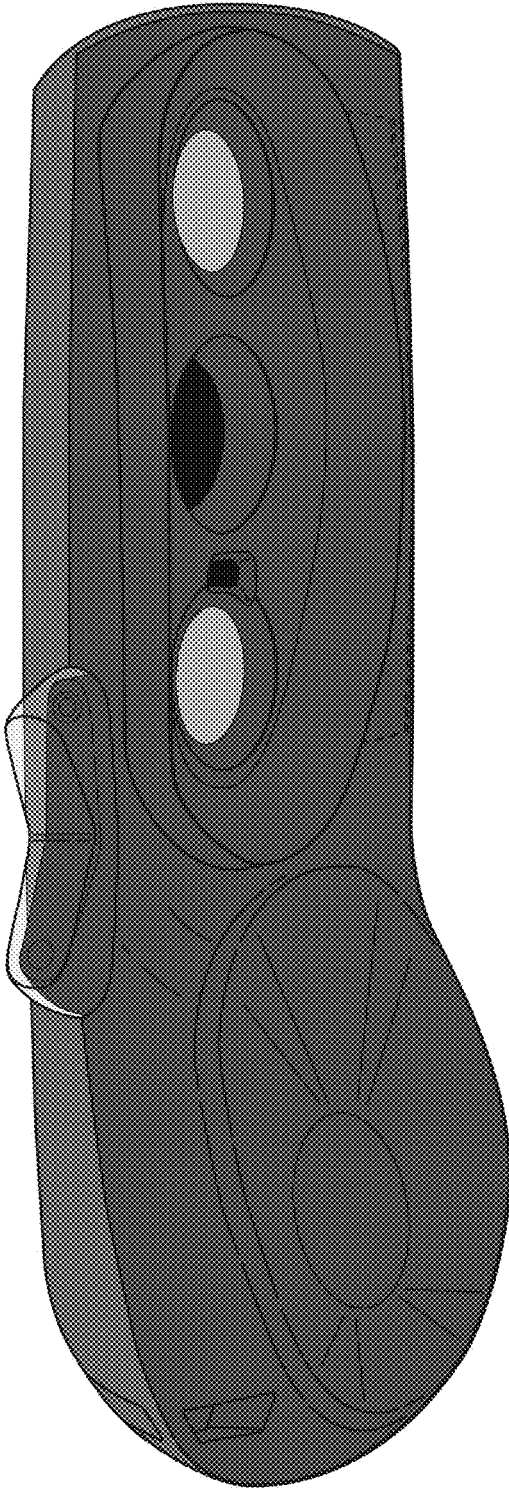


FIG. 21

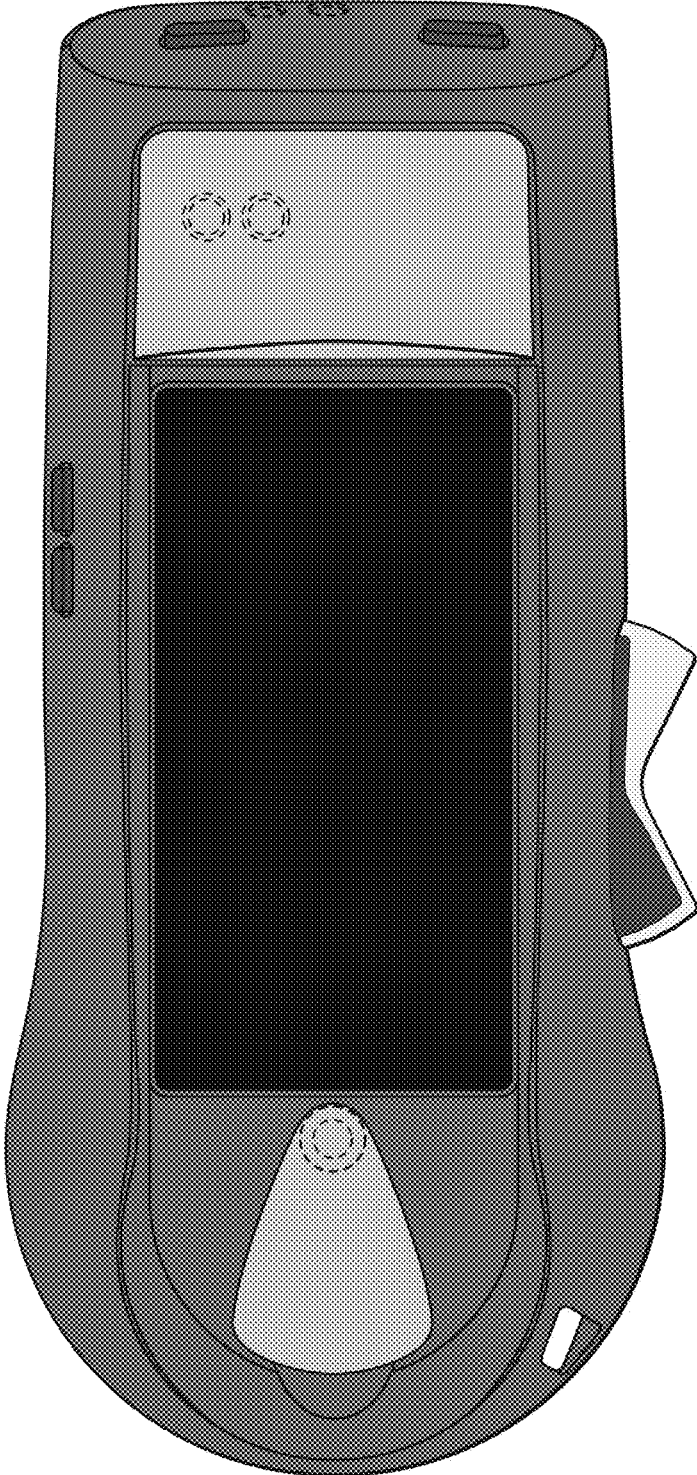


FIG. 22

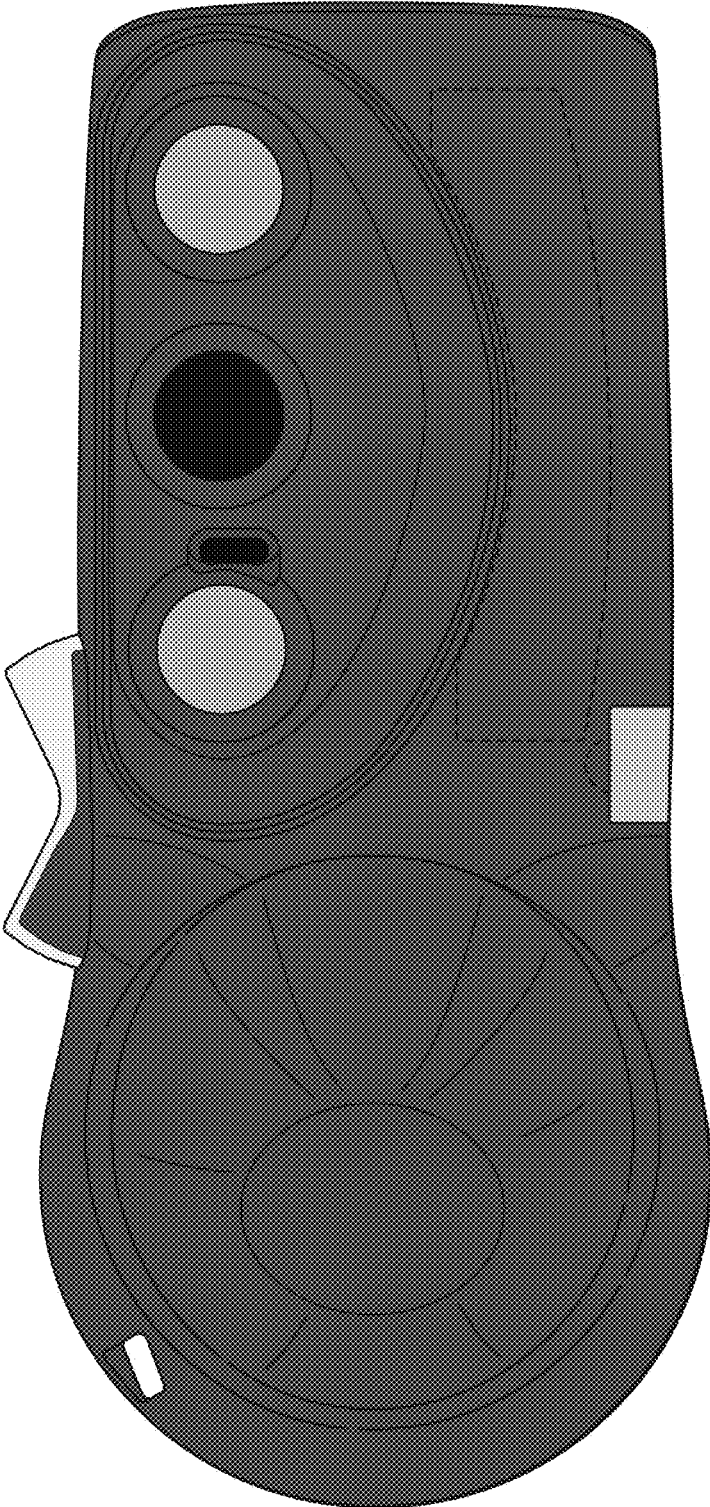


FIG. 23

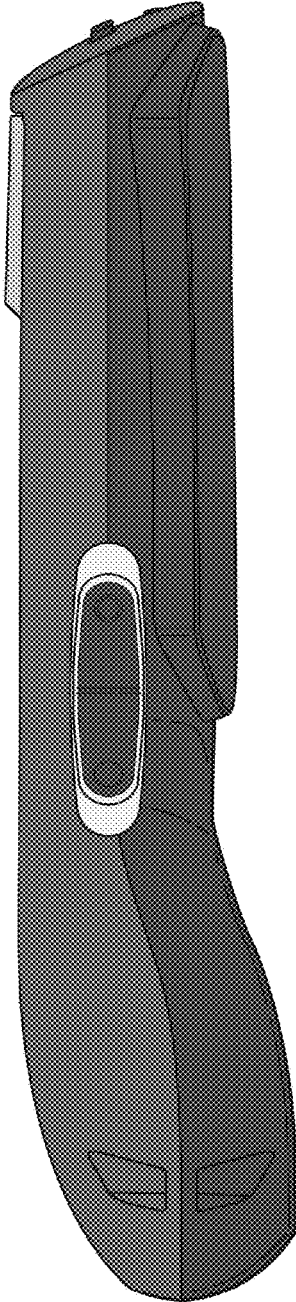


FIG. 24

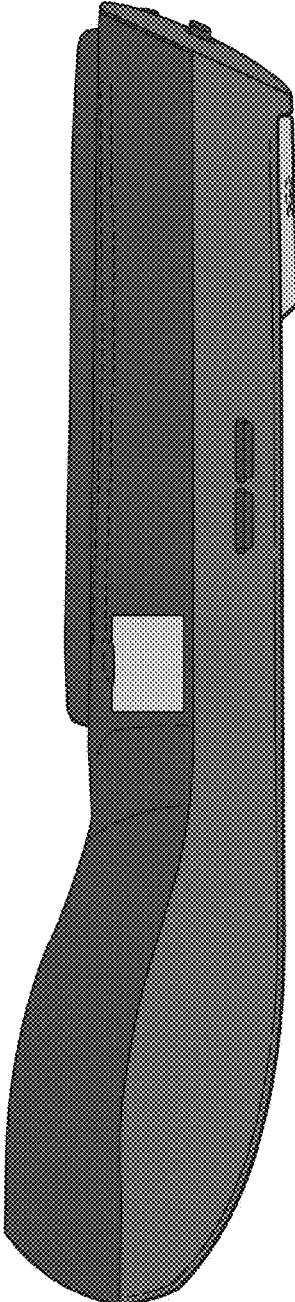


FIG. 25

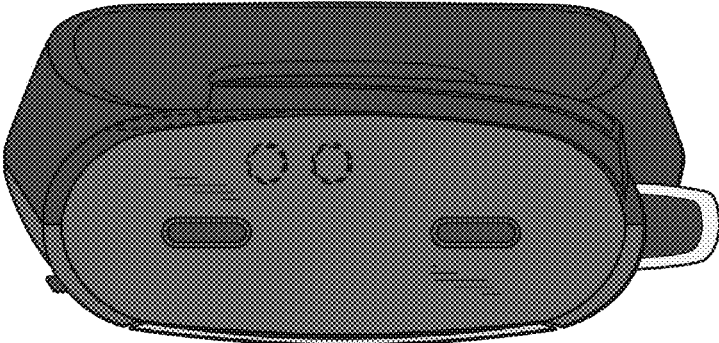


FIG. 26

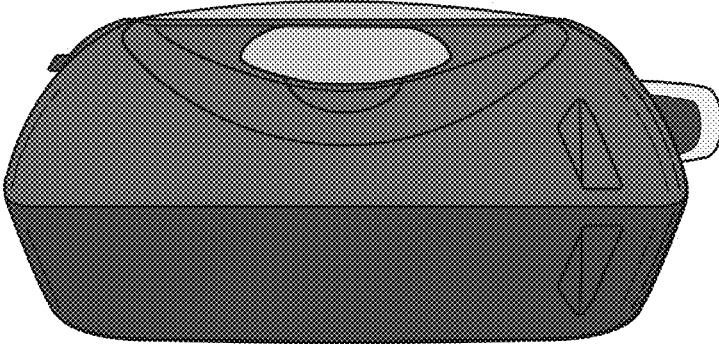


FIG. 27