



US00D484199S

(12) **United States Design Patent**  
**Weiser**

(10) **Patent No.:** **US D484,199 S**

(45) **Date of Patent:** **\*\* Dec. 23, 2003**

- (54) **TWO WINGED BUTTERFLY**
- (75) Inventor: **Margaret Weiser, Tarzana, CA (US)**
- (73) Assignee: **Exhart Environmental Systems, Inc., Chatsworth, CA (US)**
- (\*\*) Term: **14 Years**
- (21) Appl. No.: **29/182,273**
- (22) Filed: **May 21, 2003**
- (51) **LOC (7) Cl.** ..... **21-01**
- (52) **U.S. Cl.** ..... **D21/650; D21/585**
- (58) **Field of Search** ..... D11/158, 162;  
D21/465, 467, 576, 578, 584, 585, 650;  
446/72, 97-98, 268, 272, 295-296, 368-369

- D303,685 S \* 9/1989 Vafiadis ..... D21/650
- 4,863,413 A \* 9/1989 Schwarz ..... 446/62
- D317,030 S \* 5/1991 Peyton ..... D21/650
- D450,791 S \* 11/2001 Grimm et al. .... D21/650
- D464,685 S \* 10/2002 Weiser et al. .... D21/650

\* cited by examiner

*Primary Examiner*—Sandra L. Morris

(74) *Attorney, Agent, or Firm*—Cislo & Thomas LLP

(57) **CLAIM**

The ornamental design for a two winged butterfly, as shown and described.

**DESCRIPTION**

- FIG. 1. Is a perspective view of my two winged butterfly;
- FIG. 2. Is top plan view thereof;
- FIG. 3. Is a bottom plan view thereof;
- FIG. 4. Is a right side elevational view thereof with the left side being a mirror image thereof;
- FIG. 5. is a front elevational view thereof; and;
- FIG. 6. Is a rear elevational view thereof.

- (56) **References Cited**
- U.S. PATENT DOCUMENTS**
- D208,561 S \* 9/1967 Dunbar ..... D21/650
- 4,610,639 A \* 9/1986 Piazza ..... 446/327
- 4,654,018 A \* 3/1987 Farrington et al. .... 446/38

**1 Claim, 3 Drawing Sheets**

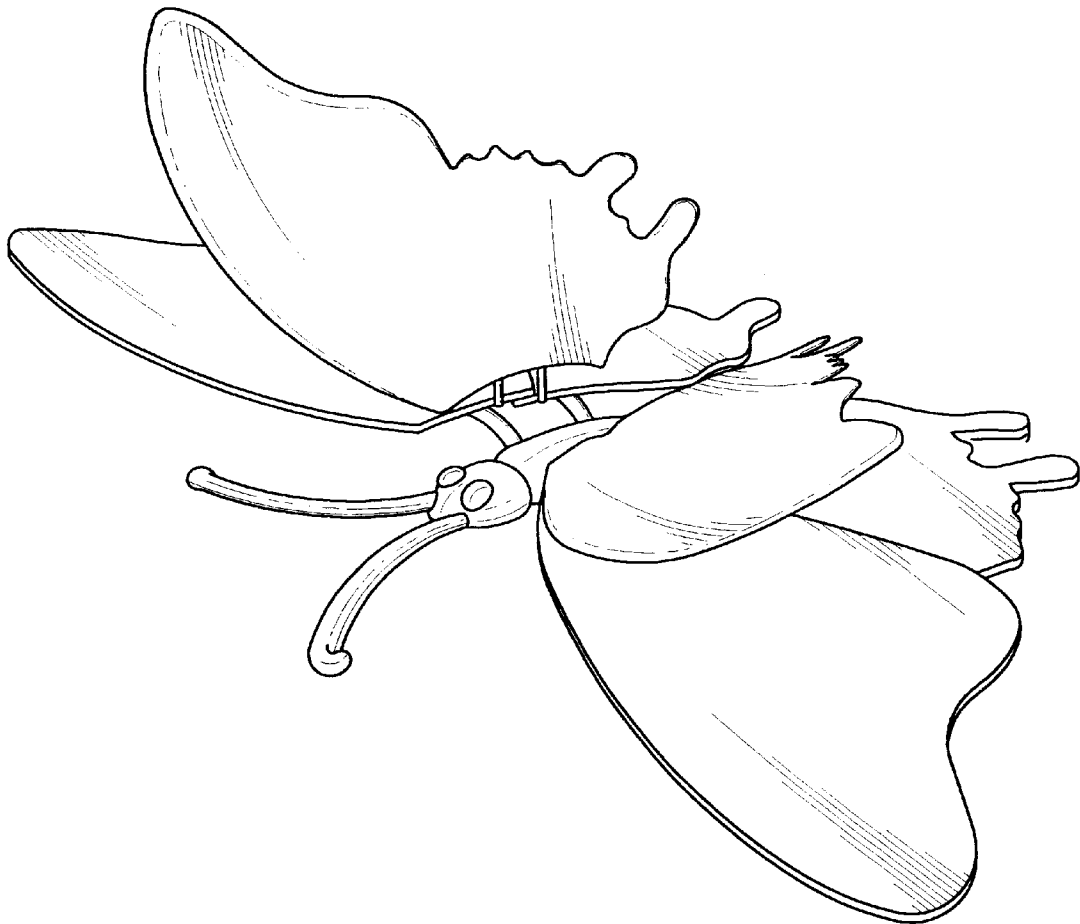


FIG. 1

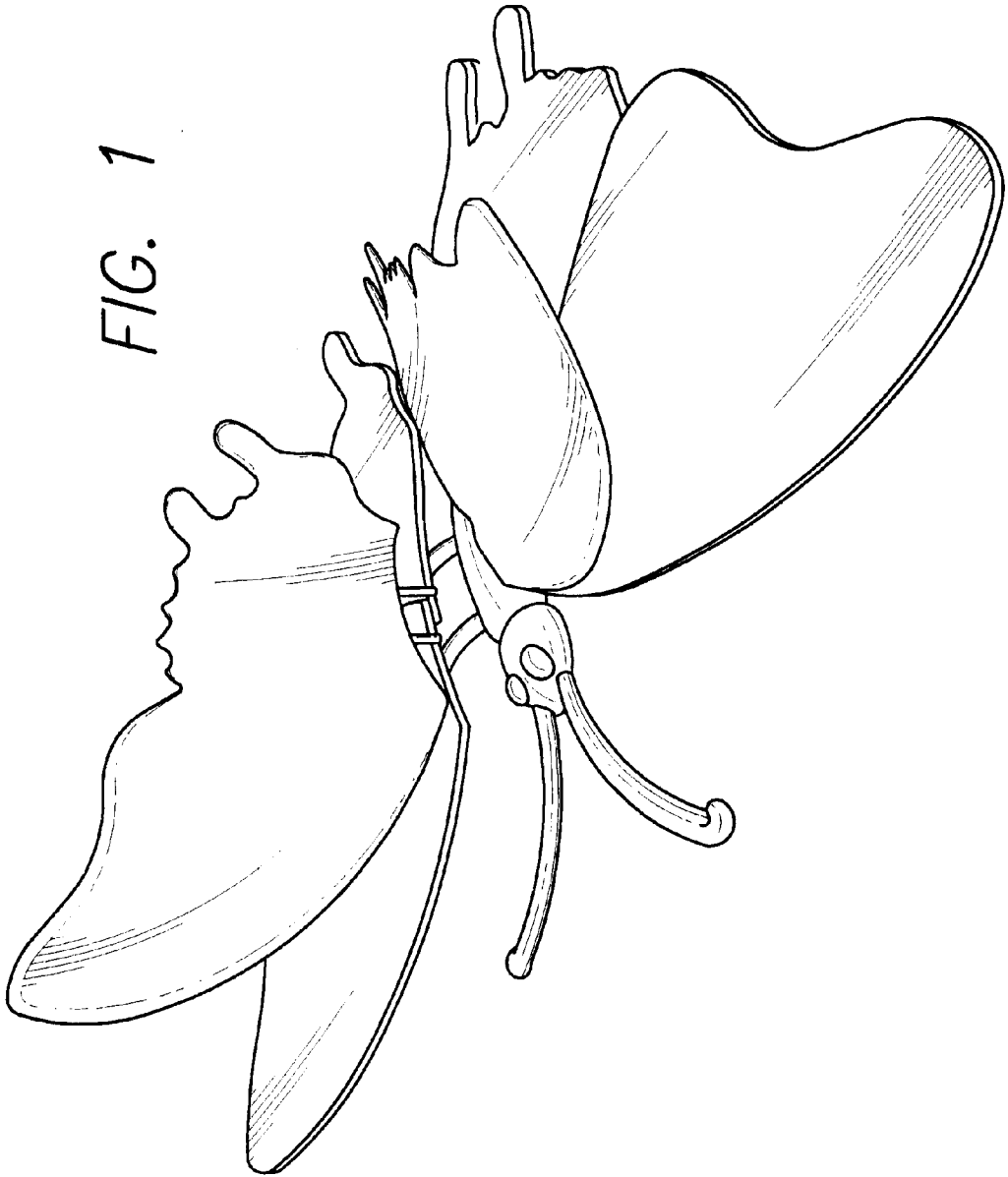


FIG. 2

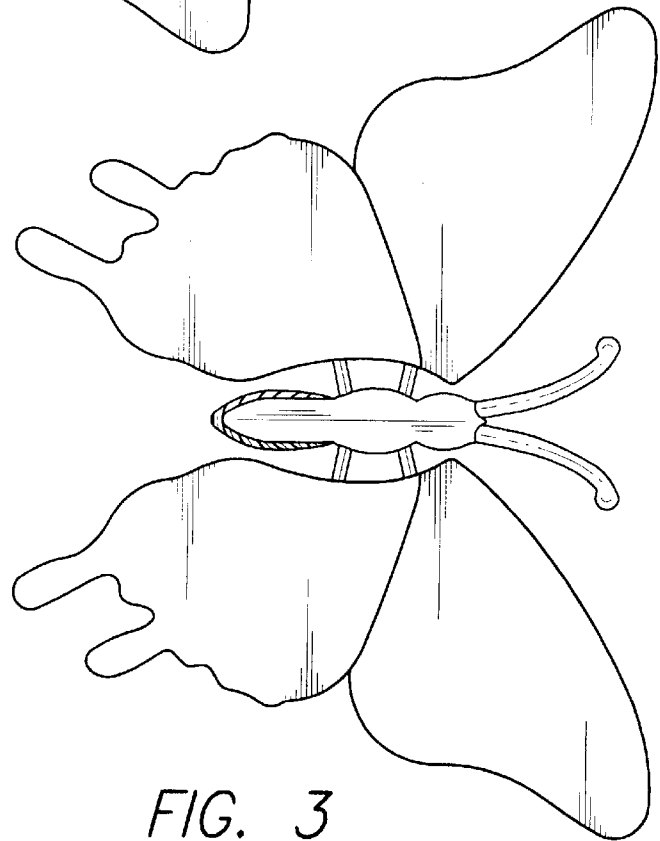
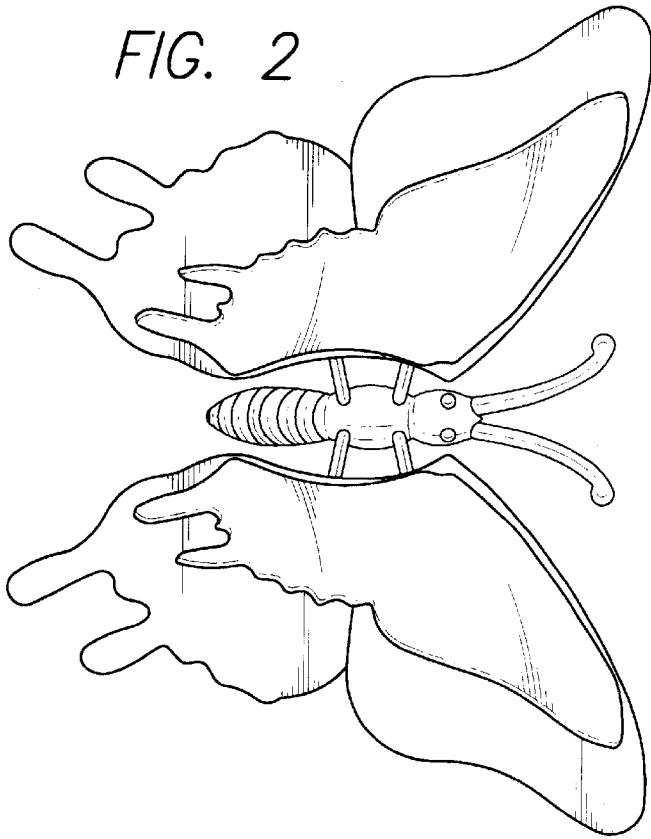


FIG. 3

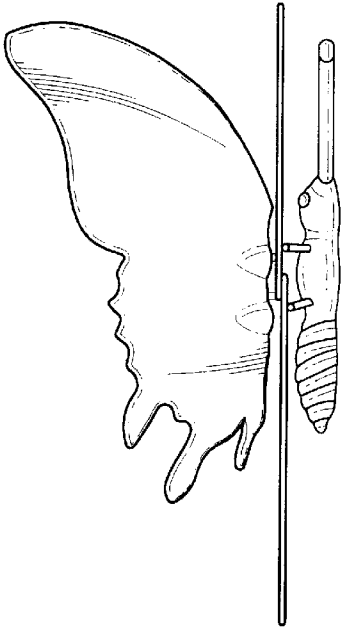


FIG. 4

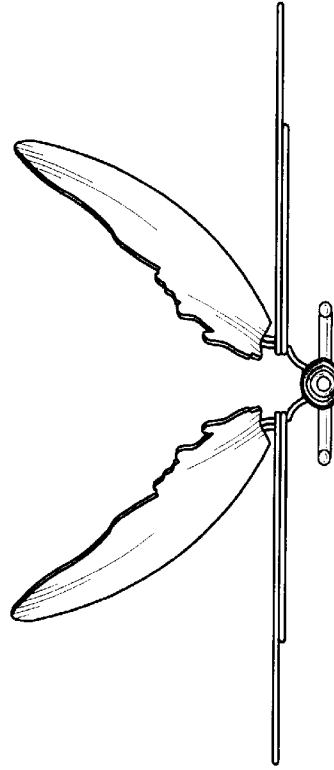


FIG. 6

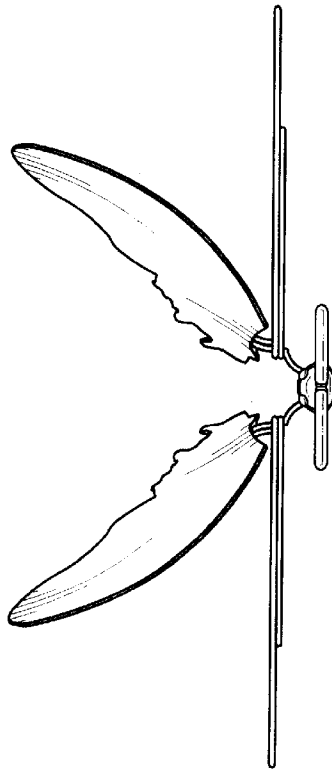


FIG. 5