



US00D746257S

(12) **United States Design Patent**
Ahn et al.

(10) **Patent No.:** **US D746,257 S**

(45) **Date of Patent:** **** Dec. 29, 2015**

(54) **SPEAKER**

(71) Applicant: **Samsung Electronics Co., Ltd.**,
Suwon-si (KR)
(72) Inventors: **Dae Kyung Ahn**, Namyangjusi (KR);
Dae Joung Kim, Seoul (KR); **Sang Min**
Hyun, Seoul (KR)
(73) Assignee: **Samsung Electronics Co., Ltd.**,
Suwon-si (KR)

(**) Term: **14 Years**

(21) Appl. No.: **29/488,771**

(22) Filed: **Apr. 23, 2014**

(30) **Foreign Application Priority Data**

Oct. 29, 2013 (KR) 30-2013-0054340

(51) **LOC (10) Cl.** **14-01**

(52) **U.S. Cl.**

USPC **D14/204**

(58) **Field of Classification Search**

USPC D14/172, 194, 204, 207, 209.1,
D14/210–215, 221, 222; 181/148, 152, 153,
181/157, 192, 198, 199; 381/300–303, 332,
381/333, 336, 345, 361, 386–388
CPC H04M 1/03; H04M 1/035; H04R 1/02;
H04R 1/06; H04R 1/021; H04R 1/025;
H04R 1/026; H04R 1/105; H04R 1/323;
H04R 1/345; H04R 1/403; H04R 1/2803;
H04R 1/2834; H04R 3/12; H04R 5/02;
H04R 2203/12

See application file for complete search history.

(56) **References Cited**

U.S. PATENT DOCUMENTS

D302,979 S * 8/1989 Sanders D14/214
D306,024 S * 2/1990 Eberbach D14/214
D466,885 S * 12/2002 MacFarlane et al. D14/204
D491,552 S * 6/2004 Niitsu D14/211
D597,527 S * 8/2009 Kim et al. D14/211
D619,126 S * 7/2010 Lee D14/230
D633,081 S * 2/2011 Medas D14/214

* cited by examiner

Primary Examiner — Derrick Holland

Assistant Examiner — Janice Lim

(74) *Attorney, Agent, or Firm* — NSIP Law

(57) **CLAIM**

The ornamental design for a speaker, as shown and described.

DESCRIPTION

FIG. 1 is a front perspective view of a speaker showing our new design;

FIG. 2 is a front view thereof;

FIG. 3 is a rear view thereof;

FIG. 4 is a left-side view thereof;

FIG. 5 is a right-side view thereof;

FIG. 6 is a top view thereof; and,

FIG. 7 is a bottom view thereof.

The broken line portions of FIGS. 1-4 and 6 are included to show unclaimed subject matter only and form no part of the claimed design.

The rectangular spacing between each shaded leg in FIGS. 2 and 3 shows open space.

1 Claim, 7 Drawing Sheets

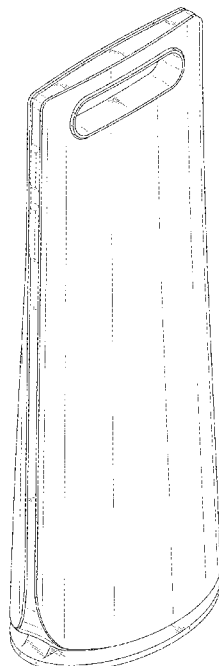


FIG. 1

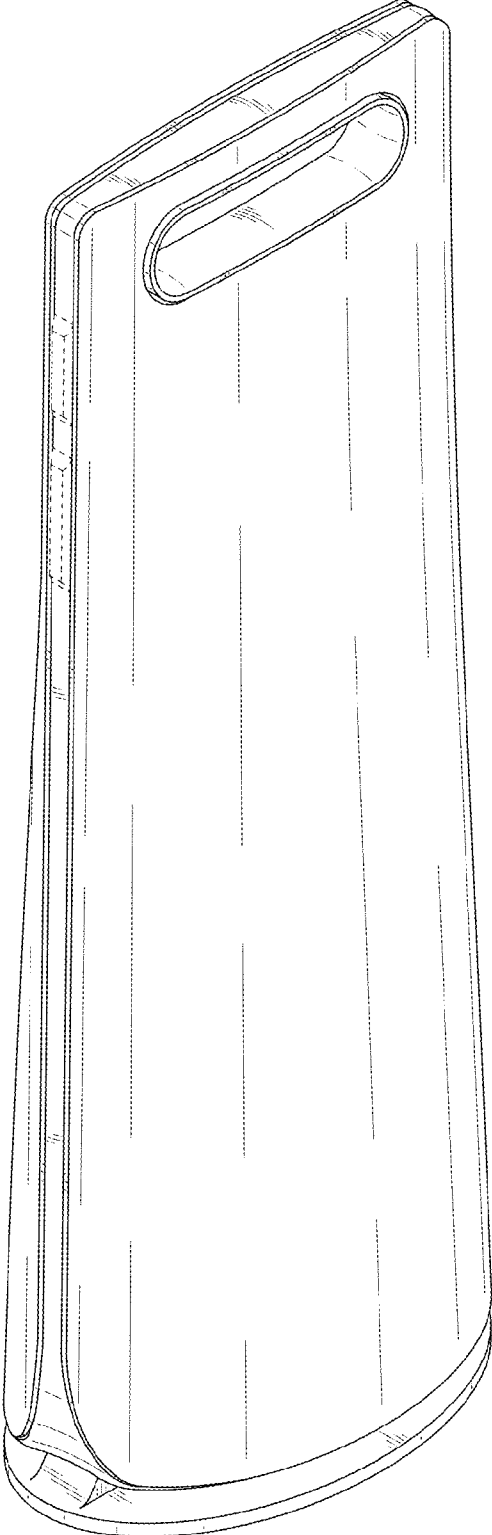


FIG.2

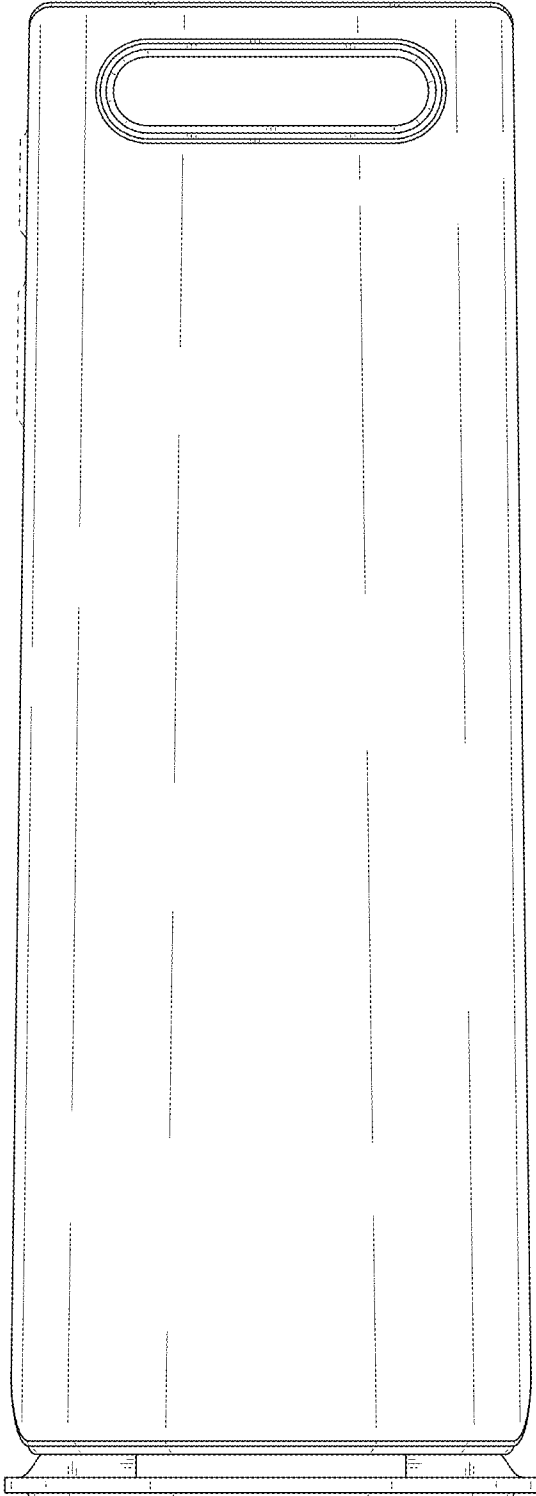


FIG. 3

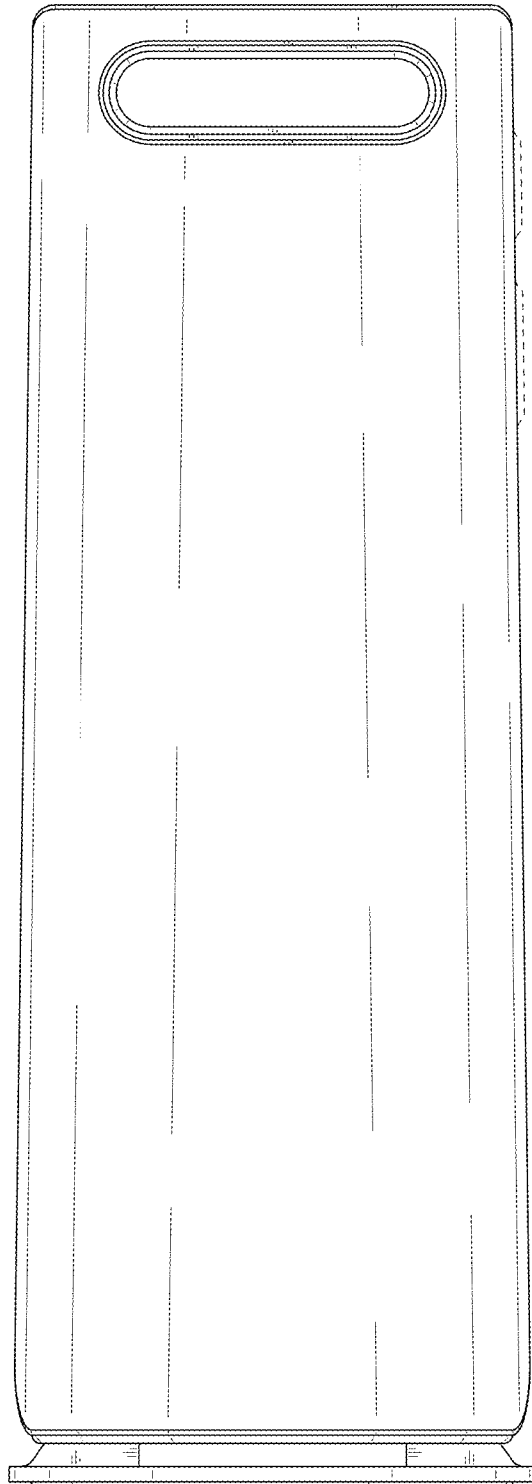


FIG. 4

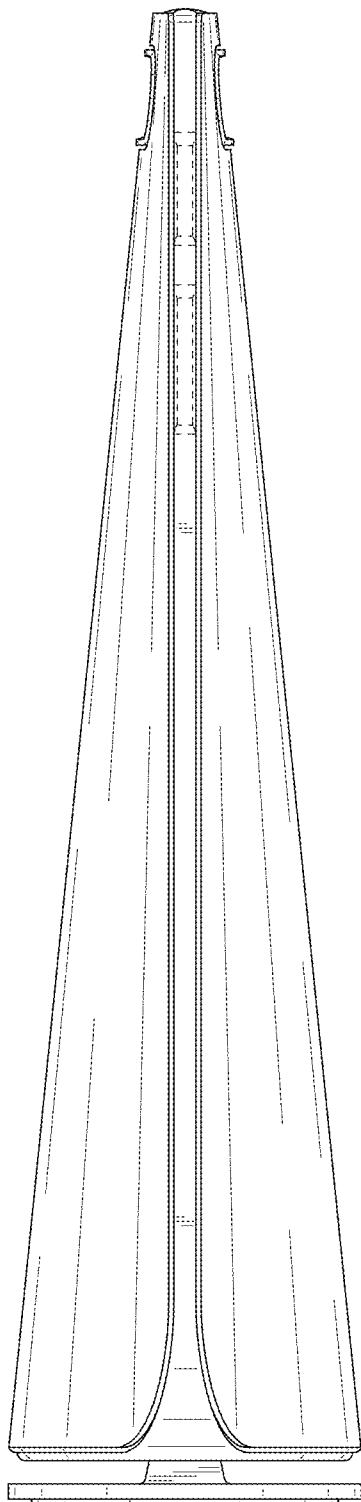


FIG. 5

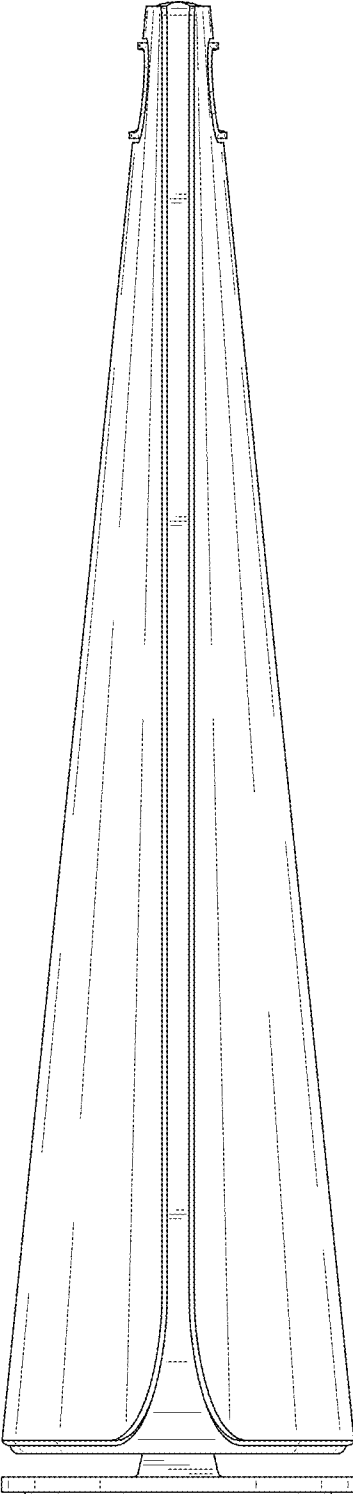


FIG. 6

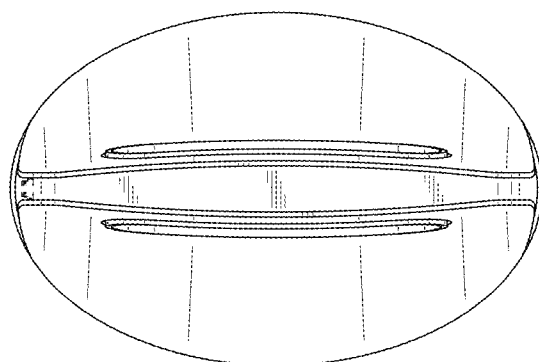


FIG. 7

