

(19) World Intellectual Property Organization  
International Bureau



(43) International Publication Date  
16 April 2009 (16.04.2009)

PCT

(10) International Publication Number  
**WO 2009/048584 A1**

(51) International Patent Classification:  
F41C 33/02 (2006.01)

(21) International Application Number:  
PCT/US2008/011603

(22) International Filing Date: 9 October 2008 (09.10.2008)

(25) Filing Language: English

(26) Publication Language: English

(30) Priority Data:  
60/998,110 9 October 2007 (09.10.2007) US

(71) Applicants and

(72) Inventors: GREGORY, Thomas, M. [US/US]; 307 Al Drive, Belgrade, MT 59714 (US). KINCAID, Robert, A. [US/US]; 122 Bennett Drive, Bozeman, MT 59715 (US). MARX, Thomas, A. [US/US]; 3200 Kline Drive, Virginia Beach, VA 23452 (US).

(74) Agent: SHADDOCK, Peter, A.II; Bowman Green Hampton & Kelly, PLLC, 501 Independence Parkway, Suite 201, Chesapeake, VA 23320-5173 (US).

(81) Designated States (unless otherwise indicated, for every kind of national protection available): AE, AG, AL, AM, AO, AT, AU, AZ, BA, BB, BG, BH, BR, BW, BY, BZ, CA, CH, CN, CO, CR, CU, CZ, DE, DK, DM, DO, DZ, EC, EE, EG, ES, FI, GB, GD, GE, GH, GM, GT, HN, HR, HU, ID, IL, IN, IS, JP, KE, KG, KM, KN, KP, KR, KZ, LA, LC, LK, LR, LS, LT, LU, LY, MA, MD, ME, MG, MK, MN, MW, MX, MY, MZ, NA, NG, NI, NO, NZ, OM, PG, PH, PL, PT, RO, RS, RU, SC, SD, SE, SG, SK, SL, SM, ST, SV, SY, TJ, TM, TN, TR, TT, TZ, UA, UG, US, UZ, VC, VN, ZA, ZM, ZW.

(84) Designated States (unless otherwise indicated, for every kind of regional protection available): ARIPO (BW, GH, GM, KE, LS, MW, MZ, NA, SD, SL, SZ, TZ, UG, ZM, ZW), Eurasian (AM, AZ, BY, KG, KZ, MD, RU, TJ, TM), European (AT, BE, BG, CH, CY, CZ, DE, DK, EE, ES, FI, FR, GB, GR, HR, HU, IE, IS, IT, LT, LU, LV, MC, MT, NL, NO, PL, PT, RO, SE, SI, SK, TR), OAPI (BF, BJ, CF, CG, CI, CM, GA, GN, GQ, GW, ML, MR, NE, SN, TD, TG).

Published:  
— with international search report

(54) Title: ROTATABLE ACCESSORY ATTACHMENT PLATFORM

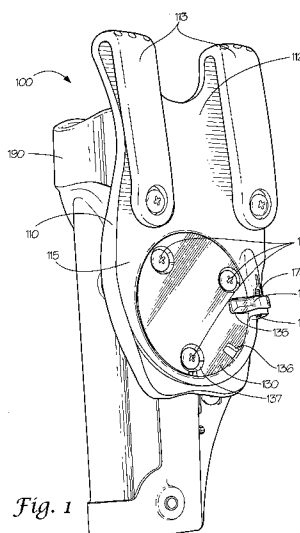


Fig. 1

(57) Abstract: An accessory attachment platform, including a platform body having a plate attachment portion, wherein the plate attachment portion includes a platform opening; a platform plate portion coupled to an accessory plate portion, through the platform opening, such that the platform plate portion and the accessory plate portion are rotatable relative to the platform body; and a release lever pivotably attached to the platform body, wherein the release lever is pivotable between a locking position and an unlocking position, and wherein the release lever is capable of releasably interacting with a primary notch of the platform plate portion such that when the release lever is in the locking position relative to the primary notch of the platform plate portion, the platform plate portion is unable to rotate relative to the platform body.

WO 2009/048584 A1

**ROTATABLE ACCESSORY ATTACHMENT PLATFORM**

**CROSS-REFERENCE TO RELATED APPLICATIONS**

**[0001]** This patent application claims the benefit of U.S. Patent Application  
5 Serial No. 60/998,110, filed October 9, 2007, the entire disclosure of which is  
incorporated herein by reference.

## **BACKGROUND OF THE INVENTION**

### **1. Field of the Invention**

[0002] The present invention is directed generally to a rigid or semi-rigid platform for attaching a handgun holster or other accessory carrier to a belt, a waistband of a pair of trousers, another article of clothing, to a MOLLE or S.T.R.I.K.E. webbing attachment, or to a harness or one or more pieces of webbing or strap material. More specifically, the present invention is directed to a platform that allows an attached holster or other accessory carrier to be selectively rotated between at least two positions relative to the platform body.

### **2. Description of Related Art**

[0003] Many handgun users, particularly military and law enforcement personnel, carry a handgun in a holster designed to protect the handgun and hold it securely. Holsters can be worn in a number of ways and in a variety of locations on a user's body, such as on the chest, under an arm, at the waist, on the thigh, or around an ankle.

[0004] Unfortunately, most modern holsters and holster carriers can be uncomfortable to wear, particularly by someone who must wear the holster while in a seated position. For example, when a law enforcement officer sits in a vehicle, the holster, which is typically attached to the officer's belt in the officer's hip region, generally contacts the seat and is forced upward by the seat. This typically causes the officer's belt to be pushed up and/or the rear of the handgun to be pushed into the officer's side, resulting in great discomfort to the officer.

### SUMMARY OF THE INVENTION

[0005] The prior holster holders and carriers fail to provide a user with the ability to readily and easily rotate or re-position a holster or other attached accessory carrier from a normal, carry position to a rotated or angular position. Furthermore, the prior holster holders fail to provide a holster holder or carrier that provides a user with the ability to readily and easily rotate a holster or other attached accessory carrier from a rotated or angular position to a normal, carry position.

[0006] Accordingly, the present invention is directed generally to a rigid or semi-rigid holder, carrier, or platform usable for attaching a handgun holster or other accessory carrier to a belt, a waistband of a pair of pair of trousers, another article of clothing, to a MOLLE or S.T.R.I.K.E. webbing attachment, or to a harness or one or more pieces of webbing or strap material. More specifically, the platform includes several adjustment points that allow a relative rotational angle between the platform and an attached holster or other accessory carrier to be changed.

[0007] In various exemplary embodiments, the platform comprises a platform body, a platform plate, and an accessory plate.

[0008] Thus, in certain exemplary embodiments, a holster or other accessory carrier may be attached or coupled to the accessory plate such that the platform plate and the accessory plate may be turned or rotated with respect to the platform body to allow a user to be more comfortable while in, for example, a seated position, while still having access to a holstered handgun or a carried accessory. Then, when the user returns to a standing position, the holster or other accessory carrier can easily be returned to a normal, carry position.

[0009] In certain exemplary embodiments, a holster or other accessory carrier may be maintained in a movable position allowing for movement of the holster or carrier as the a user moves, thereby allowing for a constant repositioning and allowance for, for example, seat position, movement of the wearer, or interfering objects.

**[0010]** In various exemplary, non-limiting embodiments of this invention, a holster or other accessory carrier may be adjustably rotated or turned to one of a number of predetermined angles. That is to say, an angle between the platform and a holster, for example, may be adjusted between several determined adjustment  
5 points.

**[0011]** Thus, the present invention comprises a new and improved platform that allows an attached holster or other accessory carrier to be rotated to one or more determined angles relative to the platform.

**[0012]** Accordingly, this invention provides a platform, having a simple and  
10 reliable holster or accessory carrier attachment system.

**[0013]** This invention separately provides a platform that allows a holster or other accessory carrier to be selectively rotated between at least a normal, carry position and a rotated position.

**[0014]** This invention separately provides a platform, which is capable of being  
15 manufactured using injection molding and/or thermoform production techniques.

**[0015]** These and other features and advantages of this invention are described in or are apparent from the following detailed description of the exemplary  
embodiments.

**BRIEF DESCRIPTION OF THE DRAWINGS**

[0016] The exemplary embodiments of this invention will be described in detail, with reference to the following figures, wherein like reference numerals refer to like parts throughout the several views, and wherein:

5 [0017] Fig. 1 shows a rear perspective view of a first exemplary embodiment of an accessory attachment platform according to this invention, wherein an attached holster is shown in a normal, carry position;

[0018] Fig. 2 shows an exploded rear perspective view of a first exemplary embodiment of an accessory attachment platform according to this invention;

10 [0019] Fig. 3A shows a rear elevational view of a first exemplary embodiment of an accessory attachment platform according to this invention, wherein an attached holster is shown in a normal, carry position;

[0020] Fig. 3B shows a rear elevational view of a first exemplary embodiment of an accessory attachment platform according to this invention, wherein an attached  
15 holster is shown in a rotated position;

[0021] Fig. 4 shows a partially exploded cross-sectional view, taken along line 5A-5A of Fig. 3A;

[0022] Fig. 5A shows a cross-sectional view, taken along line 5A-5A of Fig. 3A, illustrating the accessory attachment platform in a normal, carry position;

20 [0023] Fig. 5B shows a cross-sectional view illustrating the accessory attachment platform at an intermediate angular position between the angular position illustrated by line 5A-5A of Fig. 3A and line 5C-5C of Fig. 3B;

[0024] Fig. 5C shows a cross-sectional view, taken along line 5C-5C of Fig. 3B, illustrating the accessory attachment platform in a rotated position;

25 [0025] Fig. 6 shows partial exploded front perspective view of a first exemplary embodiment of an accessory attachment platform according to this invention;

[0026] Fig. 7 shows an exploded rear perspective view of a second exemplary embodiment of an accessory attachment platform according to this invention;

- [0027] Fig. 8 shows a rear elevational view of a third exemplary embodiment of an accessory attachment platform according to this invention, wherein an attached holster is shown in a normal, carry position;
- [0028] Fig. 9A shows a rear elevational view of a fourth exemplary embodiment of an accessory attachment platform according to this invention, wherein an attached  
5 holster is shown in a rotated position;
- [0029] Fig. 9B shows a cross-sectional view, taken along line 9B-9B of Fig. 9A, illustrating the accessory attachment platform in a rotated position;
- [0030] Fig. 10 shows a rear elevational view of a fifth exemplary embodiment of  
10 an accessory attachment platform according to this invention, wherein an attached holster is shown in a normal, carry position;
- [0031] Fig. 11 shows a rear elevational view of the fifth exemplary embodiment of the accessory attachment platform according to this invention, wherein the attached holster is shown in a rotated position;
- [0032] Fig. 12 shows a rear elevational view of a sixth exemplary embodiment  
15 of an accessory attachment platform according to this invention, wherein the platform body comprises a universal mounting platform that is capable of being removably attached or coupled to a portion of MOLLE or S.T.R.I.K.E. webbing; and
- [0033] Fig. 13 shows a rear elevational view of a seventh exemplary  
20 embodiment of an accessory attachment platform according to this invention, wherein the platform body comprises a mounting platform that is capable of being attached or coupled to a portion of webbing or strap material.

### **DETAILED DESCRIPTION OF EXEMPLARY EMBODIMENTS**

[0034] The design factors and operating principles of the present invention are explained with reference to various exemplary embodiments of a rotatable accessory attachment platform.

5 [0035] It should be appreciated that, for simplicity and clarification, the embodiments of this invention will be described with reference to a handgun holster being attached to the rotatable accessory attachment platform. However, it should be appreciated that any handgun holster, other holster, accessory carrier, or other carrier, platform, carrier rail (i.e., a Picatinny rail) or device may be removably or  
10 permanently attached or coupled to the rotatable accessory attachment platform of this invention. Thus, it should be understood that the rotatable accessory attachment platform of this invention may be utilized in conjunction with any carrier or holder for any handgun, edged weapon, ammunition magazine, less than lethal product (i.e., a taser, pepper spray, mace canister, baton, or the like), radio, flashlight,  
15 cellular telephone, personal digital assistants, or other device.

[0036] It should also be appreciated that the terms “carrier”, “holder”, “holster”, and “platform” are used for basic explanation and understanding of the operation of the systems, methods, and apparatuses of this invention. Therefore, the terms “carrier”, “holder”, “holster”, and/or “platform” are not to be construed as limiting  
20 the systems, methods, apparatuses, or applications of this invention.

[0037] Referring now to the drawing figures, Figs. 1-6 show various views of a first exemplary embodiment of an accessory attachment platform according to this invention. As shown in Figs. 1-6, the rotatable accessory attachment platform 100 includes at least some of a platform body 110, a platform plate 130, and an  
25 accessory plate 150.

[0038] The platform body 110 comprises a first side and a second side and a front portion and a rear portion. Typically, the first side is considered the outer side of the platform body 110 and is worn facing away from a user's body, while the



second side is considered the inner side of the platform body 110 and is worn facing against or adjacent the user's body.

[0039] Typically, the front portion is worn facing towards the front of a user's body, while the rear portion is worn facing towards the rear of the user's body.

5 [0040] The platform body 110 extends from a belt attachment portion 112 to a plate attachment portion 115.

[0041] In various exemplary, nonlimiting embodiments, the belt attachment portion 112 of the platform body 110 is offset from the plate attachment portion 115 of the platform body 110. This offset, if included, provides a gap between the user's  
10 hip or leg and the plate attachment portion 115 of the platform body 110. However, it should be appreciated that the inclusion of such an offset is a design choice based upon the desired functionality of the rotatable accessory attachment platform 100.

[0042] As illustrated in Figs. 1-6, the belt attachment portion 112 includes attachment members 113. The attachment members 113 are capable of extending  
15 around, receiving, or attaching to, for example, a user's belt, so as to secure the platform body 110 to the user's belt.

[0043] It should be appreciated that while attachment members 113 are illustrated as comprising two elongated belt loop members, any number of elongated belt members may be utilized in the belt attachment portion 112. Furthermore, the  
20 belt attachment portion 112 may include any number of a variety of attachment members 113 for attaching the platform body 110 to a user's belt, waistband, or other article of clothing. For example, as illustrated in Fig. 7, the attachment members 113 may comprise two or more belt receiving apertures.

[0044] A platform opening 120 is formed in the plate attachment portion 115.  
25 The platform opening 120 is counter-bored from both the first side of the platform body 110 and the second side of the platform body 110, resulting in an internal projection 122 that extends into a portion of the platform opening 120. Thus, the platform opening 120 is defined by a first, outer diameter, in the areas on either side

of the internal projection 122 and a second, inner diameter, in the area of the internal projection 122. Additionally, the internal projection 122 defines a first side wall or shoulder 123, facing towards the first side of the platform body 110, and a second side wall or shoulder 124, facing towards the second side of the platform body 110.

5 [0045] A release lever receiving slot 125 is formed in the rear portion of the plate attachment portion 115. The release lever receiving slot 125 is formed so as to receive at least a portion of a release lever 170. In various exemplary, nonlimiting embodiments, the release lever receiving slot 125 is formed at a position that is approximately 90° to a vertical axis of the platform body 110.

10 [0046] The platform plate 130 has a substantially circular or disk shape and includes a central portion 132 and an outer rim portion 133. As illustrated most clearly in Fig. 4, the central portion 132 and the outer rim portion 133 are sized such that, when the platform plate 130 and the platform body 110 are assembled, the central portion 132 fits within the portion of the platform opening 120 defined by  
15 the internal projection 122 (the inner diameter of the platform opening 120) and the outer rim portion 133 of the platform plate 130 fits within the outer diameter of the platform opening 120.

[0047] Accordingly, an inner portion of the outer rim portion 133 is capable of rotatably sliding along the surface of the second side wall or shoulder 124 of the  
20 internal projection 122, while the central portion 132 is capable of being maintained within the area defined by the inner diameter created by the internal projection 122. In this manner, the platform plate 130 is capable of rotating with respect to the platform body 110 while being restrained from being pulled through the platform opening 120 by the interaction of the outer rim portion 133 and the second side wall  
25 or shoulder 124.

[0048] The accessory plate 150 also has a substantially circular, disk shape and includes a notch segment 155. The outer circumference of the accessory plate 150 is sized such that, when the accessory plate 150 and the platform body 110 are

assembled, the accessory plate 150 fits within the outer diameter of the platform opening 120 such that the accessory plate 150 is capable of rotatably sliding along the surface of the first side wall or shoulder 123 of the internal projection 122, while being maintained within the outer diameter of the platform opening 120. In this manner, the accessory plate 150 is capable of rotating with respect to the platform body 110 while being restrained from being pulled through the platform opening 120 by the interaction of the accessory plate 150 and the first side wall or shoulder 123.

**[0049]** The notch segment 155 is formed so as to interact with the stop 126 formed in the front side of the platform opening 120. The interaction of the notch segment 155 and the stop 126 allows the accessory plate 150 to only rotate a predetermined number of degrees, as dictated predominantly by the length of the notch segment 155. As illustrated herein, the notch segment 155 provides for approximately 90° of rotation. However, it should be appreciated that the notch segment 155 may be formed so as to allow for greater or reduced rotation of the accessory plate 150.

**[0050]** The platform plate 130 further includes one or more platform plate apertures 132 formed through the platform paddle 130, while the accessory plate 150 further includes one or more accessory plate apertures 152 formed through the accessory plate 150. The size and positional relationship of the platform plate apertures 132 and the accessory plate apertures 152 are such that the platform plate apertures 132 and the accessory plate apertures 152 are each capable of simultaneously interacting with corresponding holster body attachment points 192 on the holster 190 and an appropriate attachment means 195 to allow the platform body 100, the platform plate 130, the accessory plate 150, and the holster 190 to be assembled.

**[0051]** Each of the platform plate apertures 132 and the accessory plate apertures 152 is formed so as to be capable of receiving an attachment means 195,

which passes therethrough for securing the holster 190, via the holster body attachment points 192, to the platform body 100, the platform plate 130, and the accessory plate 150. Thus, the platform plate apertures 132 and the accessory plate apertures 152, in cooperation with appropriate attachment means 195 and holster body attachment points 192, allow a holster 190 (or any other accessory carriers or mounting devices) to be attached to the rotatable accessory attachment platform 100.

5 [0052] In various exemplary embodiments, the attachment means 195 may comprise screws, snap-together parts, or any other known or later developed means for removably attaching or coupling the platform plate 130 and the accessory plate 10 150 to cooperating attachment points (not shown) of the holster 190.

[0053] In various exemplary embodiments, the shape and positional relationship of the platform plate apertures 132, the accessory plate apertures 152, and the holster body attachment points 192 may be such that simultaneous interaction of only one platform plate aperture 132, accessory plate aperture 152, and holster body 15 attachment point 192 is necessary to assembled the platform body 100, the platform plate 130, the accessory plate 150, and the holster 190.

[0054] When the rotatable accessory attachment platform 100 is assembled and, for example, attached to a holster 190, the accessory plate 150 is abutted, on a first in side, to the holster 190. The accessory plate 150 is placed within the platform 20 opening 120 (from a first side of the platform body 110) such that a second side of the accessory plate 150 contacts the surface of the first side wall or shoulder 123. The platform plate 130 is then placed within the platform opening 120 (from a second side of the platform body 110) such that the inner surface of the outer rim portion 133 (on a first side of the platform plate 130) is in contact with the surface of 25 the second side wall or shoulder 124.

[0055] Once the platform plate 130, the platform body 110, the accessory plate 150, and in the holster body 190 are appropriately aligned, attachment means 195

are used to secure these components such that the platform body 110 is secured between the platform plate 130 and the accessory plate 150.

[0056] In this manner, the platform plate 130, the accessory plate 150, and the holster body 190 are capable of rotating with respect to the platform body 110. The rotational range of motion of the combine platform plate 130, accessory plate 150, and holster body 190, with respect to the platform body 110, is dictated by the interaction of the notch segment 155 and the stop 126.

[0057] As illustrated herein, the rotatable accessory attachment platform 100 includes an exemplary holster 190 being attached to the rotatable accessory attachment platform 100. It should be appreciated that the holster 190 may be any type of holster. Additionally, while a holster 190 is illustrated, it should be understood that the rotatable accessory attachment platform 100 of this invention may be utilized in conjunction with any carrier or holder for any handgun, edged weapon, ammunition magazine, less than lethal product (i.e., a taser, pepper spray, mace canister, baton, or the like), radio, flashlight, cellular telephone, personal digital assistants, or other device.

[0058] The platform plate release lever 170, as shown in greater detail in Figs. 4-5C, comprises at least some of a thumb/finger engagement portion 172 and a plate engagement portion 174. The thumb/finger engagement portion 172 and the plate engagement portion 174 are generally separated by a fulcrum or pivot pin 178.

[0059] In various exemplary embodiments, the thumb/finger engagement portion 172 is smooth and non-textured. Alternatively, at least one surface of the thumb/finger engagement portion 172 may include a textured or serrated portion (as illustrated) so that the thumb/finger engagement portion 172 may be distinguished tactilely from other portions of the release lever 170 or the rotatable accessory attachment platform 100 and to aid the user's thumb/finger as the user's thumb/finger applies a pivoting force to the release lever 170 and pivots the release lever 170 to a release position.

[0060] In various exemplary, non-limiting embodiments, release lever 170 is pivotally connected within the lever receiving slot 125, via a fulcrum or pivot pin 178. In various exemplary embodiments, the pivot pin 178 is positioned substantially parallel to a vertical axis of the platform body 110. However, it should  
5 be appreciated that the pivot pin 178 may be positioned at any angle relative to a vertical axis of the platform body 110.

[0061] In various exemplary embodiments, as illustrated in Figs. 8, 10, and 11, a ridge 118 is formed around at least a portion of the release lever 170. Generally, the ridge 118 does not contact the release lever 170, but provides a perimeter around at  
10 least a portion of the release lever 170 to reduce the likelihood of the release lever 170 being inadvertently manipulated and to keep items from accidentally snagging or hooking the release lever 170.

[0062] The ridge 118 may include a textured portion (not shown). In this manner, the ridge 118 may be distinguished tactilely from other portions of the  
15 platform body 110 or the release lever 170.

[0063] The release lever 170 is pivotable between a locking position and an unlocking position. When the release lever 170 is in the locking position, the plate engagement portion 174 extends into a portion of the platform opening 120, as illustrated in Figs. 4 and 5A.

[0064] In various exemplary embodiments, the plate engagement portion 174  
20 may include a ramped or tapered surface on one or both sides of the plate engagement portion 174. The ramped or tapered surface, if included, may aid in the seating of the plate engagement portion 174 in the primary notch 135 and/or the secondary notch 137. Additionally, the ramped or tapered surface may aid in  
25 forcing the plate engagement portion 174 from the secondary notch 137, as described below.

[0065] In various exemplary embodiments, the release lever 170 is biased to the locking position by, for example, a spring means or biasing means 179. In various

exemplary embodiments, the spring means or biasing means 179 comprises a portion of spring steel or a spring-biased coil. Alternatively, the spring means or biasing means 179 may comprise an extension or finger that extends from either the release lever 170 or a portion of the body 110 that provides a biasing force to the release lever 170 relative to the body 110.

5 [0066] When the bias of the release lever 170 is overcome and the release lever 170 is pivoted from the locking position to the unlocking position, the plate engagement portion 174 is withdrawn from the platform opening 120, as illustrated in Fig. 5B. When the pivoting force is removed from the release lever 170, the release lever 170 returns to the biased locking position.

10 [0067] At least one primary notch 135 is formed in the platform plate 130. In various exemplary embodiments, at least one secondary notch 137 is also formed in the platform plate 130. The at least one primary notch 135 is formed at a position that allows the plate engagement portion 174 of the release lever 170 to interact with the primary notch 135 when the holster body 190 is in the normal, carry position, as illustrated in Figs. 1, 3A, 8, and 10, so as to receive at least a portion of the plate engagement portion 174 of the release lever 170, when the release lever 170 is in the locking position.

20 [0068] The secondary notch 137, if included, is formed at a position that allows the plate engagement portion 174 of the release lever 170 to interact with the secondary notch 137 when the holster body 190 is in a rotated position, as illustrated in Figs. 3B, 9A, and 11, so as to receive at least a portion of the plate engagement portion 174 of the release lever 170, when the release lever 170 is in the locking position.

25 [0069] During use of the rotatable accessory attachment platform 100 (within attached holster 190), the holster 190 is initially presented in a normal, carry position, as illustrated in Figs. 1, 3A, 8, and 10. When in the normal, carry position, the plate engagement portion 174 extends into the primary notch 135, as illustrated

in Fig. 5A, such that the platform plate 130 is unable to rotate relative to the platform body 110.

[0070] If the user desires to rotate the holster 190 from the normal, carry position, the user contacts the thumb/finger engagement portion 172 of the release lever 170, overcomes any bias of the release lever 170, and pivots the release lever 170 from the locking position to the unlocking position.

[0071] When the release lever 170 is pivoted from the locking position to the unlocking position, the plate engagement portion 174 of the release lever 170 is withdrawn from the platform opening 120 and the primary notch 135, as illustrated in Fig. 5B.

[0072] As illustrated in Fig. 5B, once the plate engagement portion 174 of the release lever 170 is sufficiently withdrawn from the primary notch 135, the holster 190 may be rotated from the normal, carry position towards the rotated position (as indicated by the arrow in Fig. 3B).

[0073] Once the holster 190 has been rotated to the rotated position and the pivoting force is removed from the release lever 170, the release lever 170 returns to the biased locking position and engages at least a portion of the secondary notch 137, as illustrated in Fig. 5C. Thus, for example, a user is able to rotate the holster 190 to a rotated position before being seated.

[0074] It should be appreciated that, depending upon the relative sizes of the plate engagement portion 174 and the secondary notch 137, the plate engagement portion 174, when in the locking position, may extend far enough into the secondary notch 137 to maintain the platform plate 130 in the rotated position.

[0075] Alternatively, the plate engagement portion 174 may only extend far enough into the secondary notch 137 to loosely maintain the platform plate 130 in the rotated position. If the plate engagement portion 174 only loosely maintains the platform plate 130 in the rotated position, a user may simply apply a counter rotating force to the holster 190 to overcome the bias of the release lever 170, force the plate



engagement portion 174 from the secondary notch 137, and allow the holster 190 to be rotated to the normal, carry position.

[0076] In various exemplary, nonlimiting embodiments, one or more additional, optional notches 136 may be included in the platform plate 130. These additional  
5 notches, if included, may allow the platform plate 130 to be engaged by the release lever 170 at various, predetermined points. Therefore, utilizing additional notches 136, the holster body 190 may be maintained in a variety of rotational or angular positions, relative to the platform body 110.

[0077] Fig. 7 shows a second exemplary embodiment of an accessory  
10 attachment platform 100 according to this invention, wherein the lever receiving slot 125 is removed from the rear portion of the platform body 110 and replaced with a lever receiving slot 125' located in a front portion of the platform body 110. In this manner, instead of being located along a rear portion of the platform body 110 (as is the case with the lever receiving slot 125), the release lever 170 may be positioned  
15 along a front portion of the platform body 110.

[0078] As illustrated in Fig. 8, a lever receiving slot 125 may be formed in a rear portion of the platform body 110, while a second lever receiving slot 125' may be formed in a front portion of the platform body 110. In this manner, the release lever 170 may optionally be positioned in either of the lever receiving slots 125 or 125'.

[0079] Figs. 9A and 9B illustrate an accessory attachment platform 100 having a  
20 modified release lever 170. As illustrated most noticeably in Fig. 9B, the release lever 170 includes an additional protrusion or step 177 along a portion of the plate engagement portion 174. The inclusion of the step 177 allows the release lever 170 to more fully engage the secondary notch 137 of the platform plate 130. In various  
25 exemplary embodiments, the step 177 allows the plate engagement portion 174 to more closely match in internal shape of the secondary notch 137.

[0080] Figs. 10 and 11 illustrate an additional exemplary embodiment of the current invention. As illustrated in Figs. 10 and 11, the platform plate 130 is

replaced with a platform plate 130'. The platform plate 130' has it and increased diameter, such that secondary notch 137' has a size that more closely approximates the size of the primary notch 135. In this manner, the release lever 170, and more particularly the plate engagement portion 174, may be fully received within not only  
5 the primary notch 135, but also the secondary notch 137'. Thus, the holster 190 may be positively locked in either the normal, carry position, as illustrated in Fig. 10, but also in the rotated position, as illustrated in Fig. 11.

**[0081]** Fig. 12 shows a rear elevational view of a sixth exemplary embodiment of an accessory attachment platform according to this invention. In the accessory  
10 attachment platform 200, the platform body 110, as described above with respect to Figs. 1-11, is replaced with a universal mounting platform 210 that is capable of being removably attached or coupled to a portion of MOLLE or S.T.R.I.K.E. webbing. In various exemplary embodiments, the universal mounting platform is as described in U.S. Patent Application Serial No. 11/906,629, filed October 3, 2007,  
15 entitled Universal Mounting Platform, the disclosure of which is incorporated herein by reference.

**[0082]** As illustrated in Fig. 12, the universal mounting platform 210 includes a platform opening 220, which is capable of receiving a platform plate 230 and an accessory plate 250, each of which have features similar to the platform opening  
20 120, the platform plate 130, and the accessory plate 150.

**[0083]** However, as illustrated in Fig. 12, the release lever 270 is positioned proximate a top portion of the universal mounting platform 210. Additionally, a plurality of primary notches 235 is included around the platform plate 230. Thus, the holster 290 may be secured at a variety of desired angles relative to the universal  
25 mounting platform 210.

**[0084]** While the primary notches 235 are illustrated as being positioned at approximately 45° increments around the platform plate 230, it should be appreciated that the number and position of any included primary notches 235 is a

design choice based upon the desired functionality of the rotatable accessory attachment platform 200.

[0085] In various exemplary embodiments, the rotatable accessory attachment platform 200 can be mounted directly to a surface (i.e., a piece of furniture, a side of a counter or desktop, a vehicle console, shipboard bulkhead, etc.) as opposed to being worn by a user. In these exemplary embodiments, an attachment means may be used to attach or couple the platform 200 directly to the surface. Alternatively, one or more spacers may be included between the platform 200 and the mounting surface so as to provide sufficient space between the platform 200 and mounting surface to allow proper function and operation of the lock 270 and/or to allow the user to rotate the attached holster or accessory carrier.

[0086] In these exemplary embodiments, the overall size and shape of the platform 200 may be modified (i.e., attachment arms removed and/or additional or varied mounting apertures or holes provided). Additionally, the thickness of the platform 200 may be modified.

[0087] Fig. 13 shows a rear elevational view of a seventh exemplary embodiment of an accessory attachment platform according to this invention. In the accessory attachment platform 300, the platform body 110, as described above with respect to Figs. 1-11, is replaced with a mounting platform 310 that is capable of being attached or coupled to a portion of webbing or strap material, such as, for example, the strap material used to form a shoulder holster.

[0088] As illustrated in Fig. 13, the mounting platform 310 of the accessory attachment platform 300 includes a platform opening 320, which is capable of receiving a platform plate 330 and an accessory plate 350, each of which have features similar to the platform opening 120, the platform plate 130, and the accessory plate 150. As illustrated, the mounting platform 310 further includes three apertures 360, formed through the mounting platform 310, which are capable of being attached or coupled to a portion of webbing or strap material 365.

[0089] As further illustrated in Fig. 13, the release lever 370 is positioned proximate a top portion of the mounting platform 310. Additionally, a plurality of primary notches 335 is included around the platform plate 330. Thus, the holster 390 may be secured at a variety of desired angles relative to the mounting platform 310.

[0090] It should be appreciated that while the mounting platform 310 is illustrated as including three webbing or strap receiving apertures (one strap receiving aperture 360 proximate a lower portion of the mounting platform 310 and two strap receiving apertures 360 proximate and upper portion of the mounting platform 310), the number and position of strap receiving apertures 360 is a design choice based upon desired functionality of the accessory attachment platform 300.

[0091] It should also be appreciated that while the release lever 370 is illustrated as being positioned proximate a top portion of the mounting platform 310, the release lever 370 may be positioned at any position around the mounting platform 310.

[0092] Likewise, while the primary notches 335 are illustrated as being positioned at approximately 45° increments around the platform plate 330, it should be appreciated that the number and position of any included primary notches 335 is a design choice based upon the desired functionality of the rotatable accessory attachment platform 300.

[0093] While this invention has been described in conjunction with the exemplary embodiments outlined above, it is evident that many alternatives, modifications, and variations will be apparent to those skilled in the art. For example, while the accessory plate 150 has been described as being a separate component that is attachable to the holster body 190, it should be appreciated that the accessory plate 150 may be permanently attached to the holster body 190 or integrally formed as a portion of the holster body 190.

**[0094]** Such adaptations and modifications should and are intended to be comprehended within the meaning and range of equivalents of the disclosed exemplary embodiments. It is to be understood that the phraseology of terminology employed herein is for the purpose of description and not of limitation.

- 5 Accordingly, the foregoing description of the exemplary embodiments of the invention, as set forth above, are intended to be illustrative, not limiting. Various changes, modifications, and/or adaptations may be made without departing from the spirit and scope of this invention.

**WHAT IS CLAIMED IS:**

- 1           1.       An accessory attachment platform, comprising:  
2                    a platform body having a plate attachment portion, wherein the plate  
3 attachment portion includes a platform opening, wherein the platform opening is  
4 counter-bored from both a first side of the platform body and a second side of the  
5 platform body, resulting in an internal projection that extends into a portion of the  
6 platform opening and defines a first shoulder, facing towards the first side of the  
7 platform body, and a second shoulder, facing towards the second side of the  
8 platform body;  
9                    a platform plate portion coupled to an accessory plate portion,  
10 through the platform opening of the platform body, such that the platform plate  
11 portion and the accessory plate portion are rotatable relative to the platform body,  
12 wherein an outer rim portion of the platform plate portion is rotatably slidable along  
13 a surface of the second shoulder of the platform opening and wherein an outer rim  
14 portion of the accessory plate portion is rotatably slidable along a surface of the first  
15 shoulder of the platform opening; and  
16                    a release lever pivotably attached to the platform body, wherein the  
17 release lever is pivotable between a locking position and an unlocking position, and  
18 wherein the release lever is capable of releasably interacting with a primary notch of  
19 the platform plate portion such that when the release lever is in the locking position  
20 relative to the primary notch of the platform plate portion, the platform plate portion  
21 is unable to rotate relative to the platform body.
- 1           2.       The holster of claim 1, wherein the platform plate portion has a  
2 substantially circular or disk shape.
- 1           3.       The holster of claim 1, wherein the accessory plate portion has a  
2 substantially circular or disk shape.
- 1           4.       The holster of claim 1, wherein the platform plate portion is  
2 restrained from being pulled through the platform opening by the interaction of a

3 surface of the outer rim portion of the platform plate portion and the surface of the  
4 second shoulder and the accessory plate portion is restrained from being pulled  
5 through the platform opening by the interaction of a surface of the outer rim portion  
6 of the accessory plate portion and the surface of the first shoulder.

1 5. The holster of claim 1, further including a notch segment formed in  
2 the accessory plate portion that interacts with a stop formed in the platform opening  
3 to allow the accessory plate portion to only rotate a predetermined number of  
4 degrees relative to the platform body, as dictated by the length of the notch segment.

1 6. The holster of claim 5, wherein the notch segment is formed so as to  
2 allow for 90° of rotation of the accessory plate portion relative to the platform body.

1 7. The holster of claim 5, wherein the notch segment is formed so as to  
2 allow for less than or greater than 90° of rotation of the accessory plate portion  
3 relative to the platform body.

1 8. The holster of claim 1, wherein the platform plate portion further  
2 includes one or more platform plate portion apertures formed through the platform  
3 paddle and wherein the accessory plate portion further includes one or more  
4 accessory plate portion apertures formed through the accessory plate portion,  
5 wherein a size and positional relationship of the platform plate portion apertures and  
6 the accessory plate portion apertures is such that the platform plate portion apertures  
7 and the accessory plate portion apertures are each capable of simultaneously  
8 interacting with corresponding accessory body attachment points on an accessory  
9 and an appropriate attachment means to allow the platform body, the platform plate  
10 portion, the accessory plate portion, and the accessory to be assembled together such  
11 that the platform plate portion, the accessory plate portion, and the accessory body  
12 are capable of rotating with respect to the platform body.

1 9. The holster of claim 8, wherein the accessory comprises at least one  
2 of a holster, a carrier, or a holder.

1           10.     The holster of claim 1, wherein the release lever is biased to a  
2 locking position such that when a pivoting force is removed from the release lever,  
3 the release lever returns to the locking position.

1           11.     The holster of claim 1, wherein the release lever is in the unlocking  
2 position, relative to the primary notch of the platform plate portion, the platform  
3 plate portion is able to rotate relative to the platform body.

1           12.     The holster of claim 1, further including at least one secondary notch  
2 formed in the platform plate portion such that when the release lever is in the  
3 locking position, relative to the secondary notch of the platform plate portion, the  
4 platform plate portion is unable to rotate relative to the platform body.

1           13.     The holster of claim 12, wherein when the release lever is in the  
2 locking position, relative to the secondary notch of the platform plate portion, a  
3 counter rotating force can be applied to the accessory plate portion sufficient to  
4 force the release lever from the secondary notch and allow the accessory plate  
5 portion to be rotated relative to the platform body.

1           14.     The holster of claim 1, wherein the release lever is located along a  
2 rear portion or a front portion of the platform body.

1           15.     The holster of claim 1, wherein the release lever is positioned  
2 proximate a top portion, a bottom portion, or a side portion of the accessory plate  
3 portion.

1           16.     The holster of claim 1, wherein the accessory plate portion is  
2 rotatable between a carry position and a rotated position.

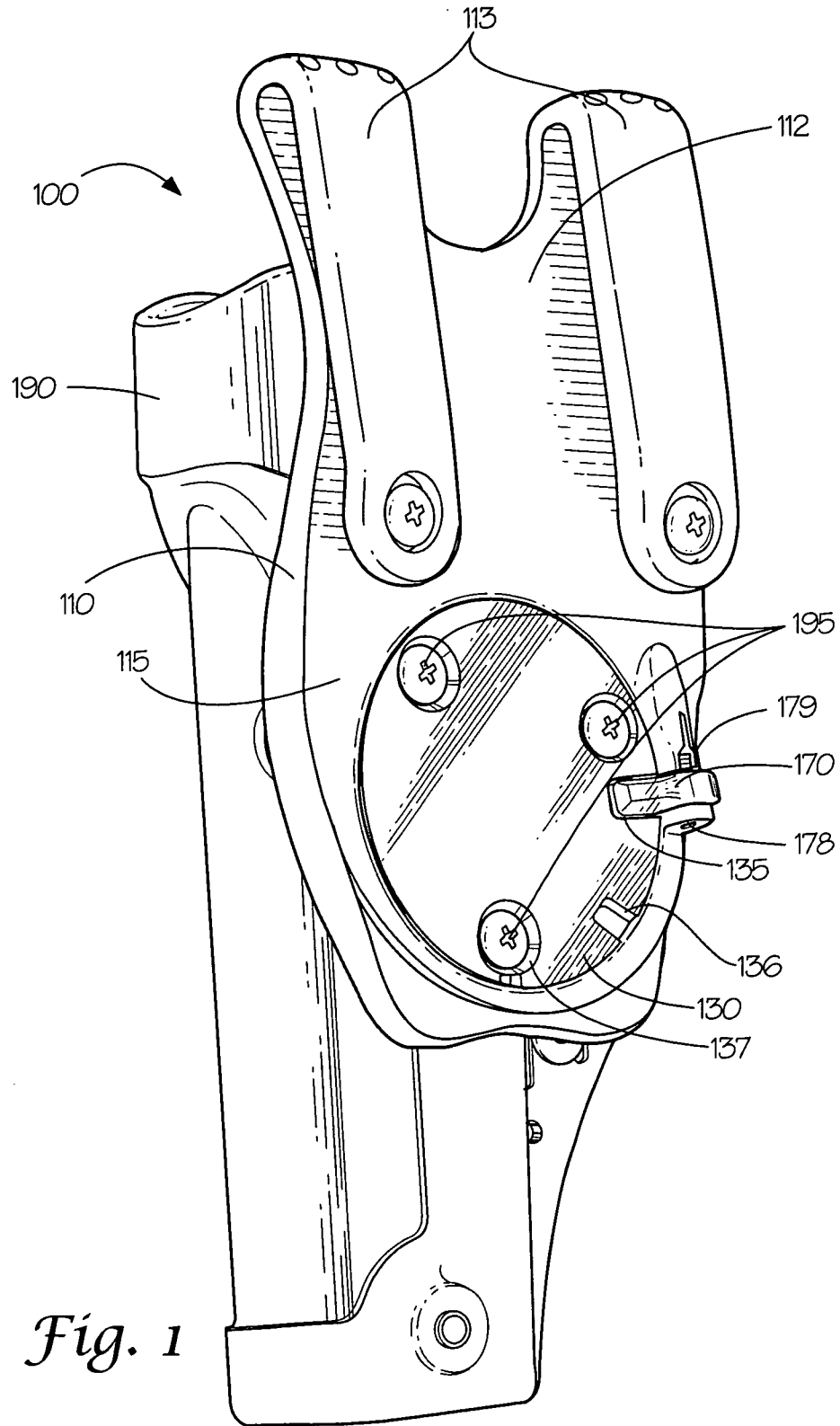
1           17.     The holster of claim 1, wherein the platform body is capable of being  
2 removably attached or coupled to a belt, a portion of MOLLE or S.T.R.I.K.E.  
3 webbing, to a surface, or to a portion of webbing or strap material.

1           18.     The holster of claim 1, wherein the accessory plate portion includes  
2 an attached carrier, platform, carrier rail, or device.



1           19.     The holster of claim 1, wherein the accessory plate portion includes a  
2 carrier, platform, carrier rail, or device formed as an integral part of the accessory  
3 plate portion.

1           20.     An accessory attachment platform, comprising:  
2                   a platform body having a plate attachment portion, wherein the plate  
3 attachment portion includes a platform opening;  
4                   a platform plate portion coupled to an accessory plate portion,  
5 through the platform opening, such that the platform plate portion and the accessory  
6 plate portion are rotatable relative to the platform body; and  
7                   a release lever pivotably attached to the platform body, wherein the  
8 release lever is pivotable between a locking position and an unlocking position, and  
9 wherein the release lever is capable of releasably interacting with a primary notch of  
10 the platform plate portion such that when the release lever is in the locking position  
11 relative to the primary notch of the platform plate portion, the platform plate portion  
12 is unable to rotate relative to the platform body.



*Fig. 1*

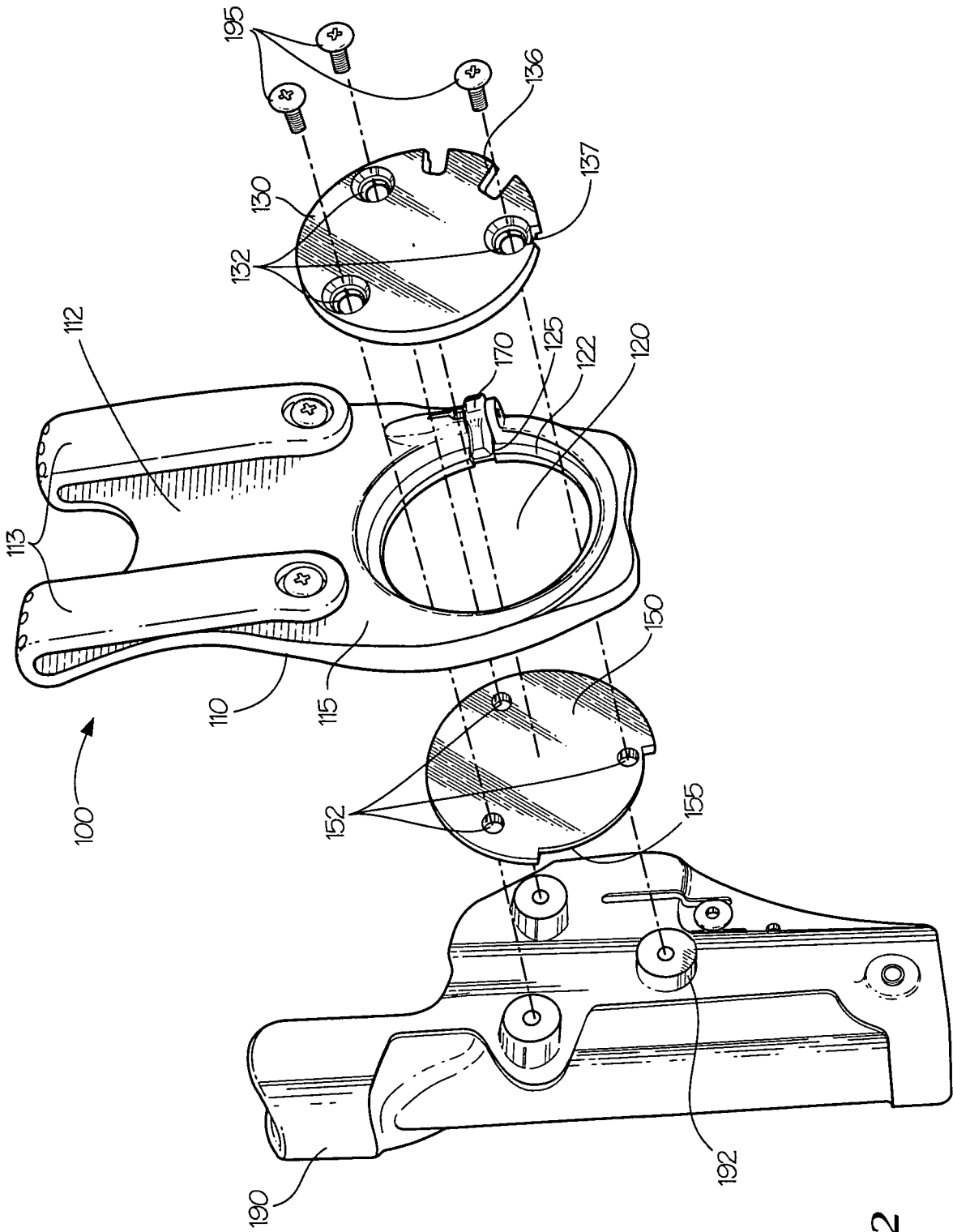
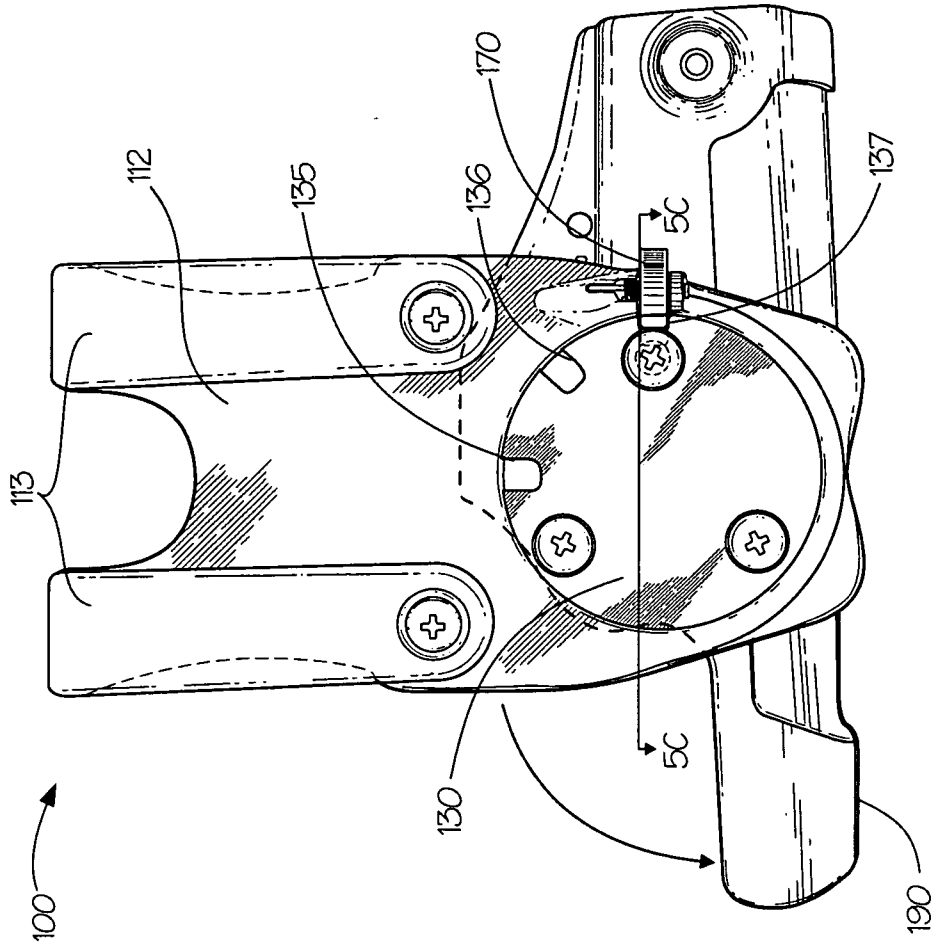
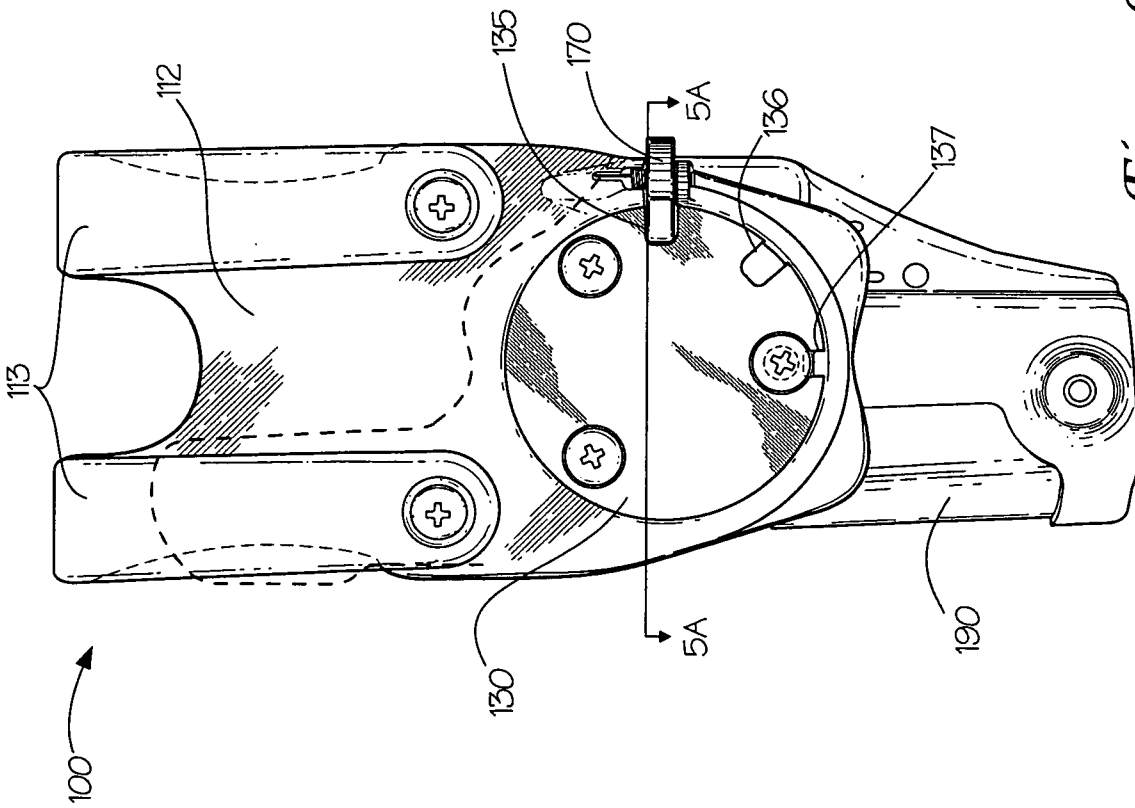


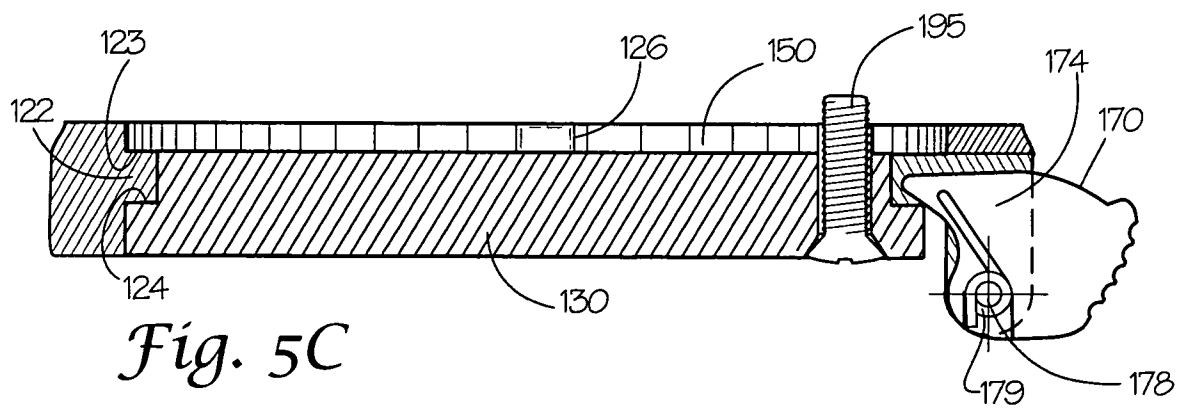
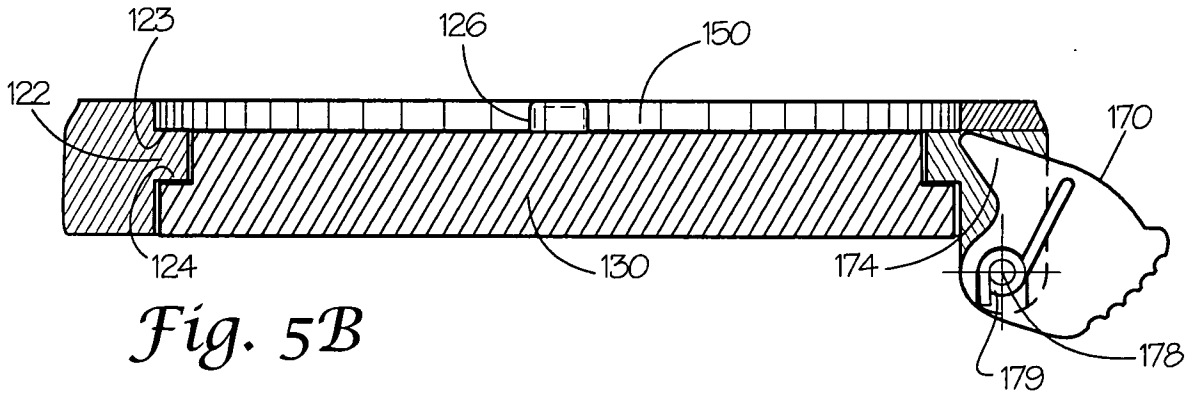
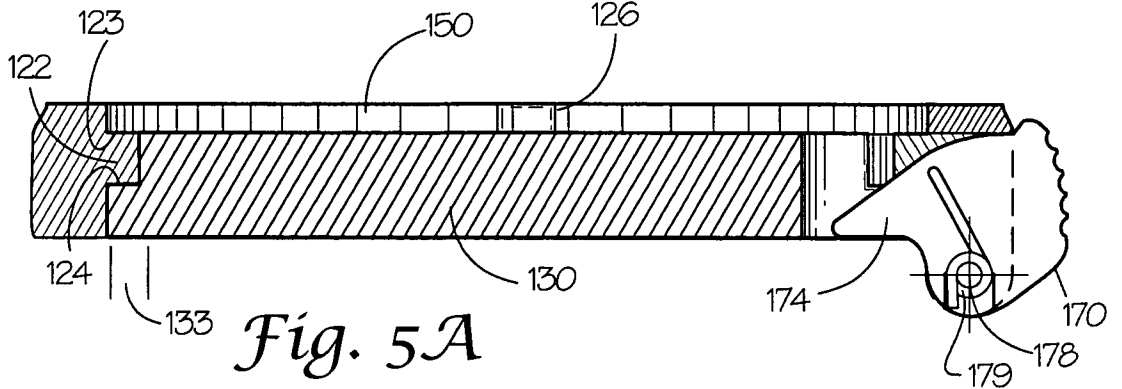
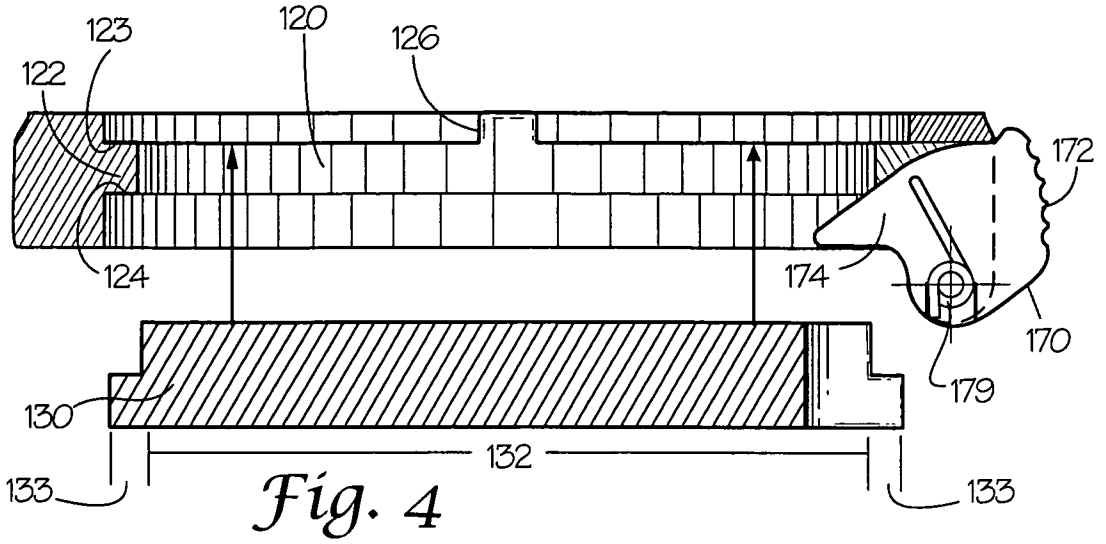
Fig. 2

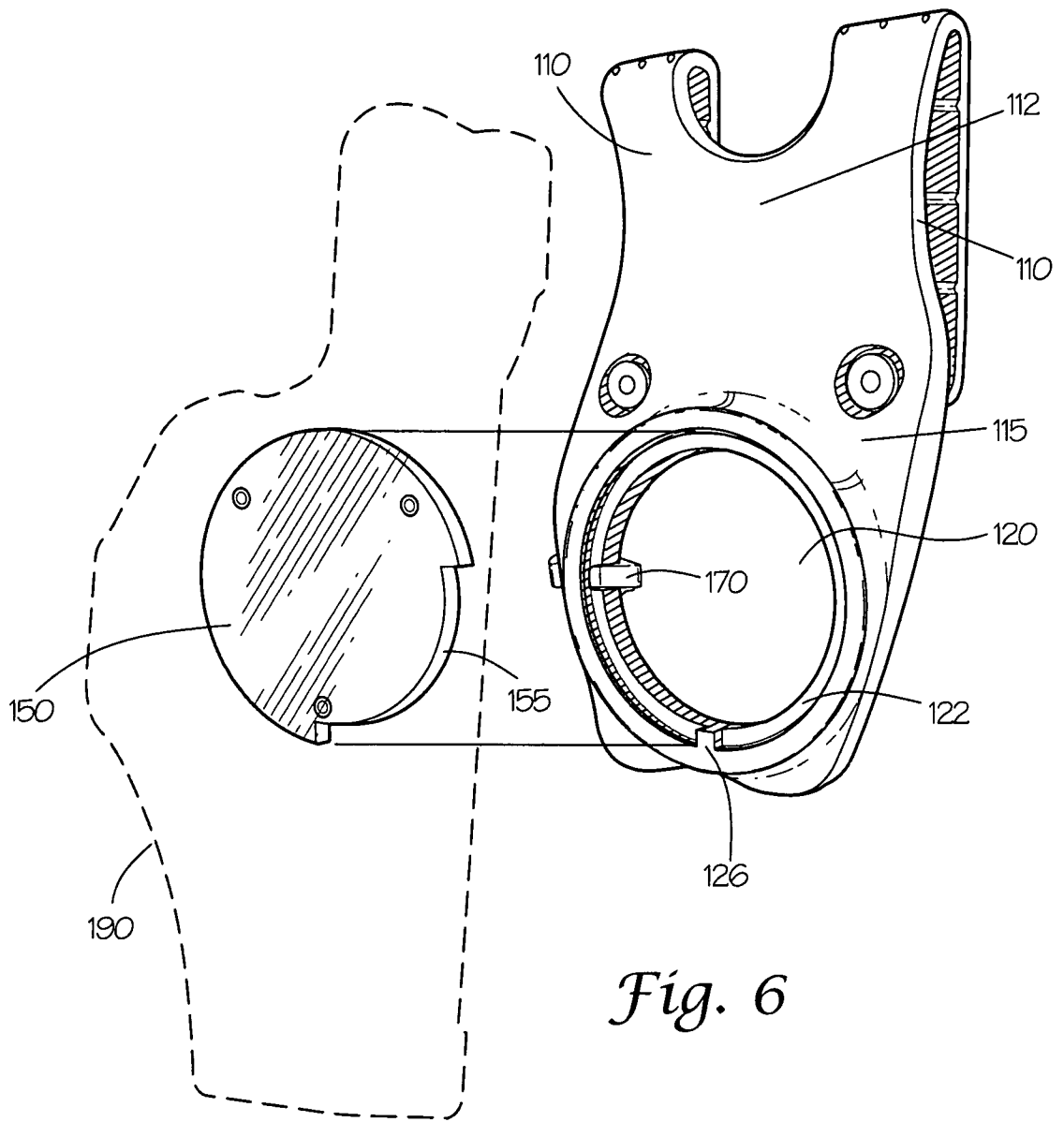
*Fig. 3B*



*Fig. 3A*







*Fig. 6*

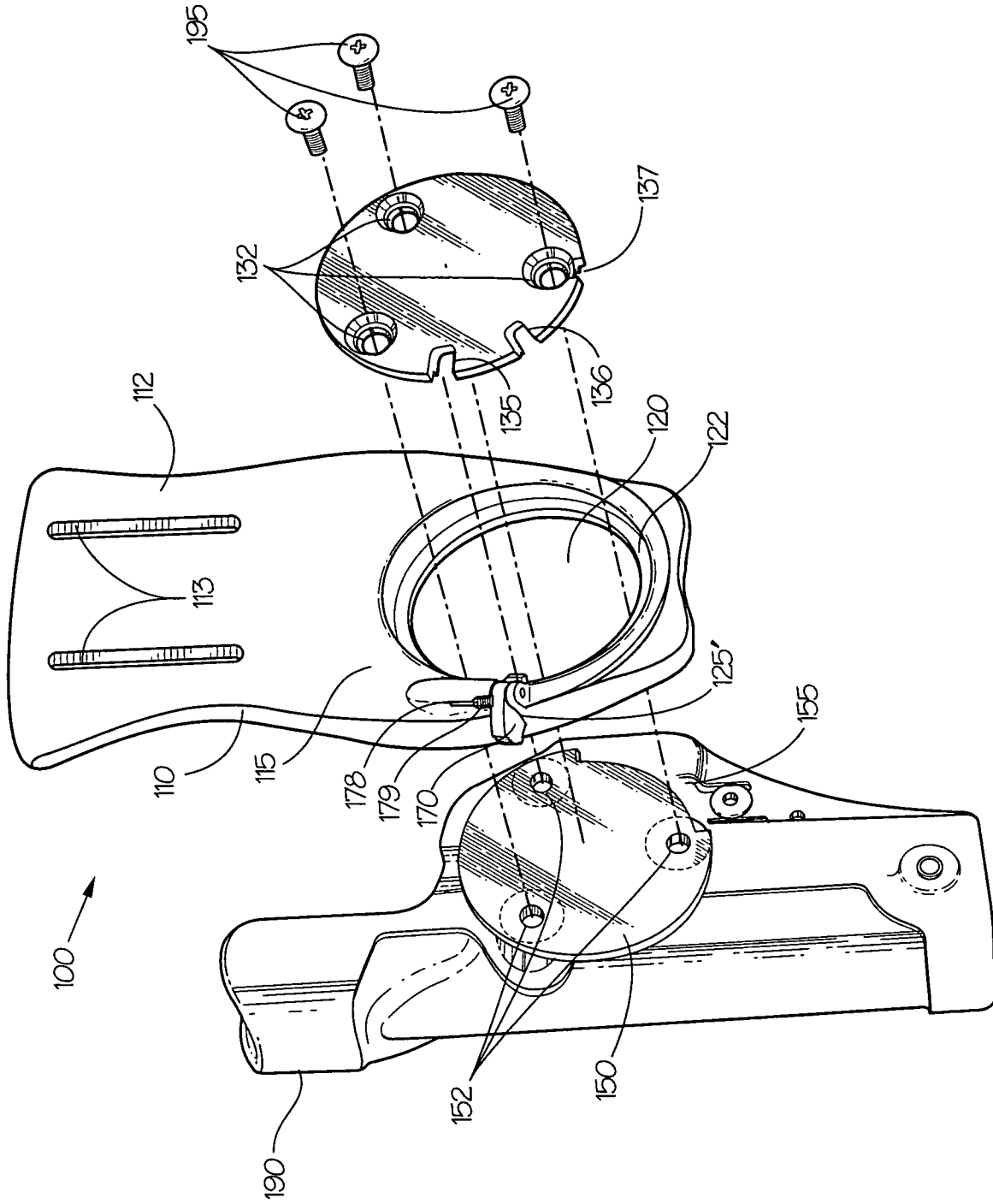


Fig. 7

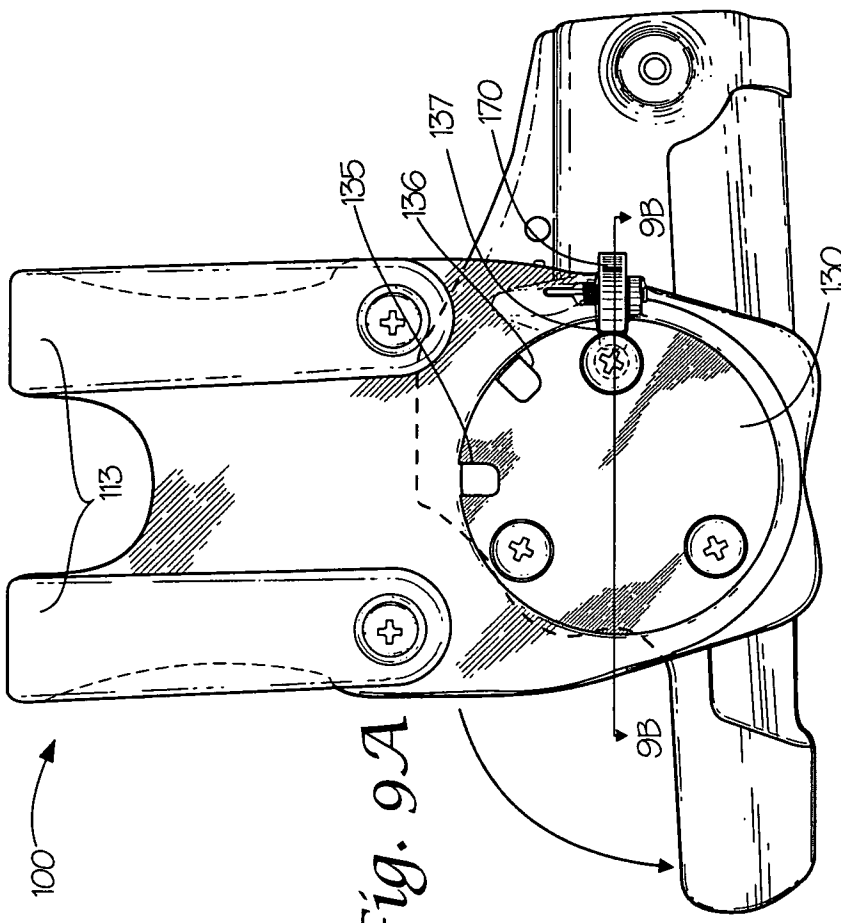


Fig. 9A

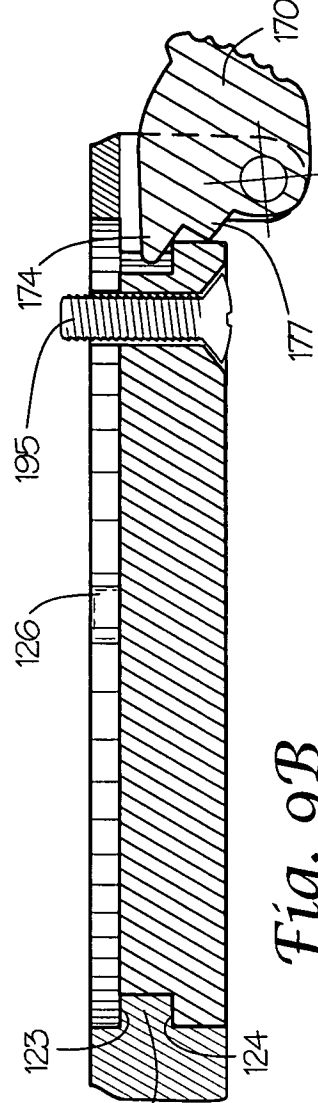


Fig. 9B

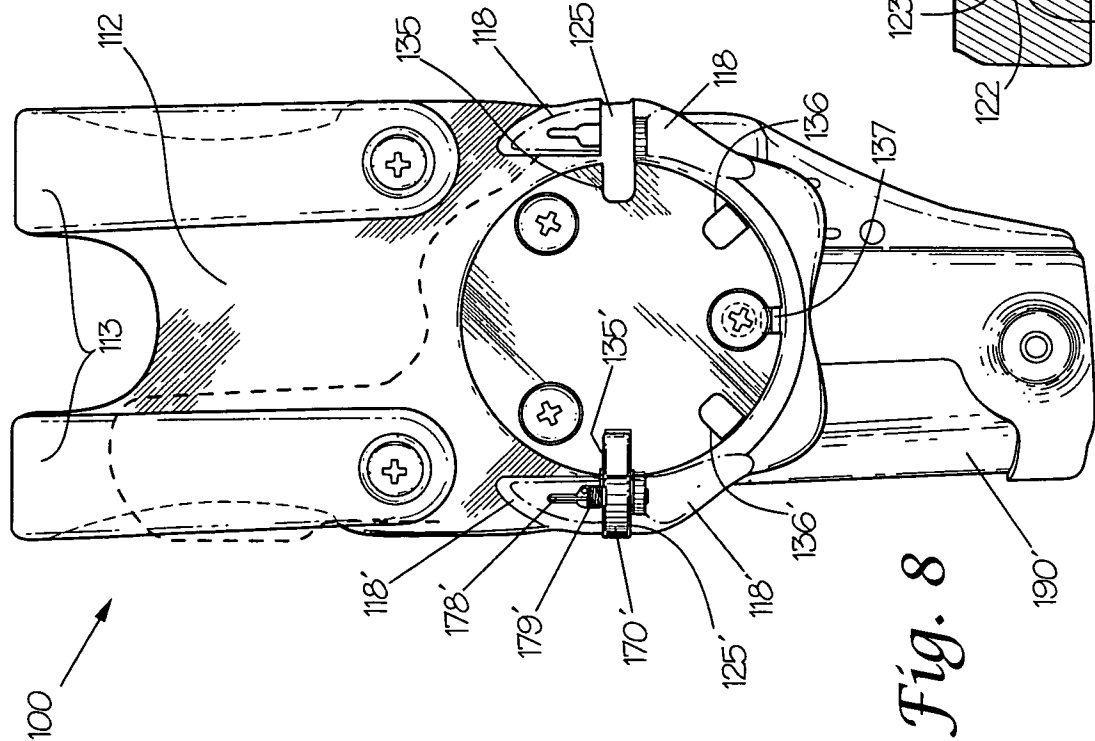


Fig. 8



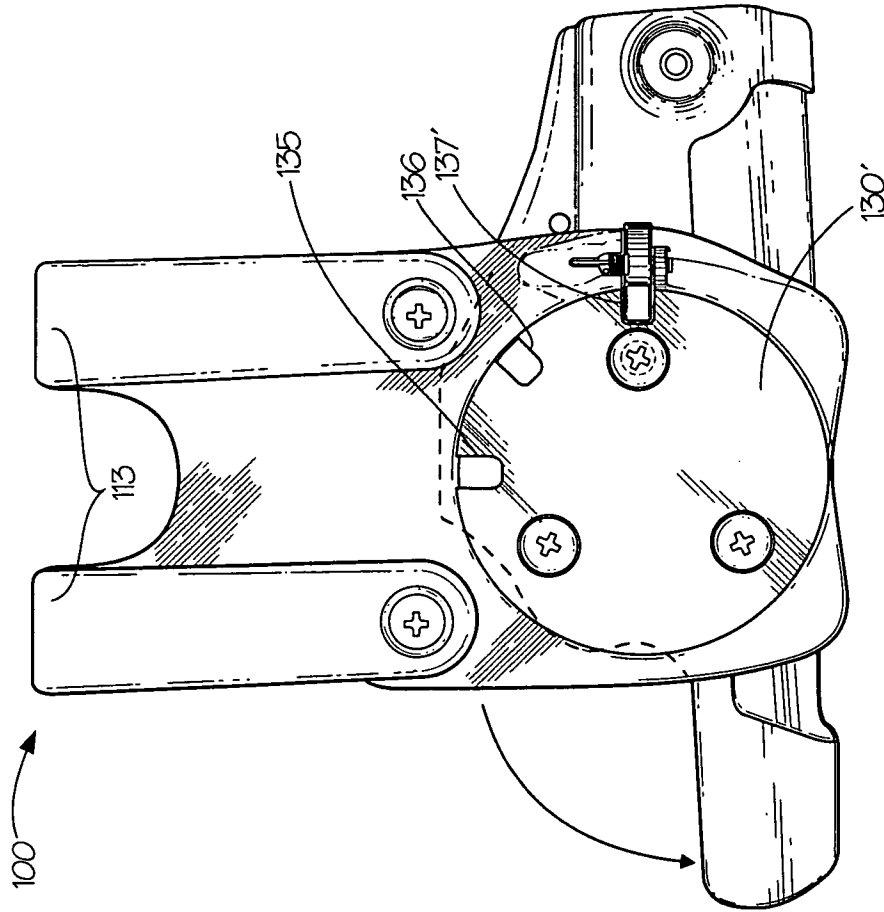


Fig. 11

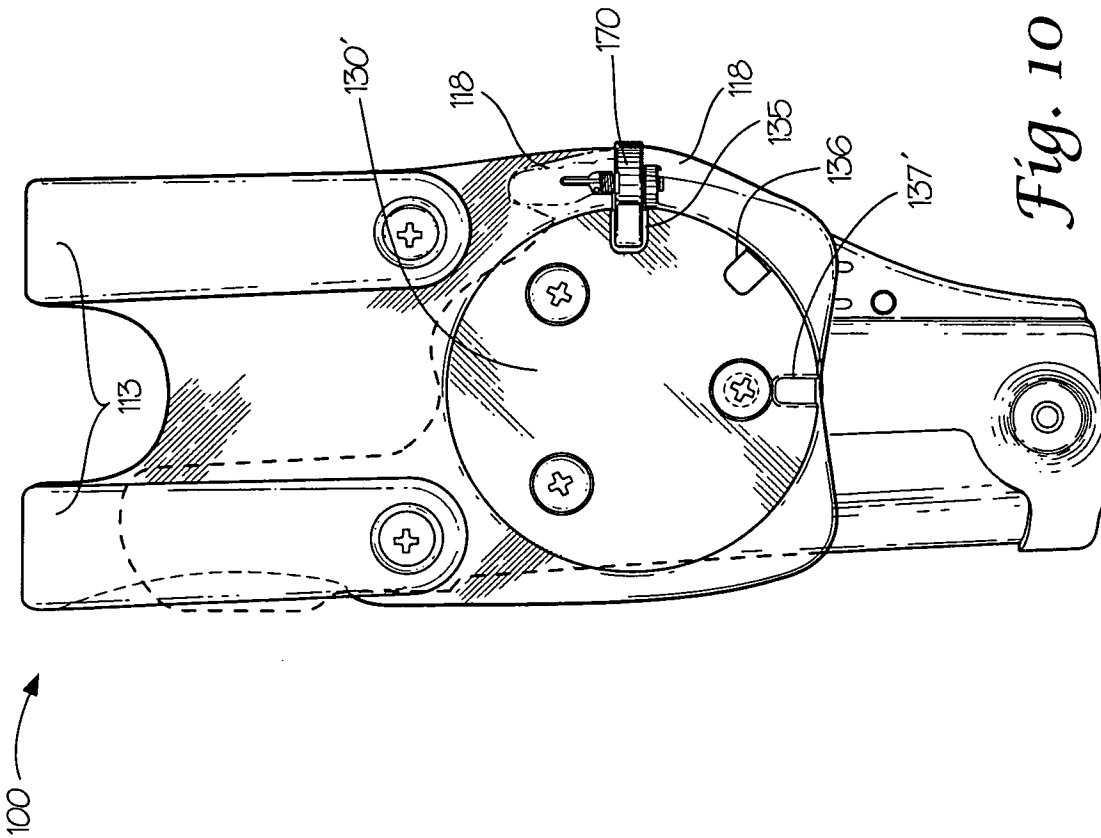
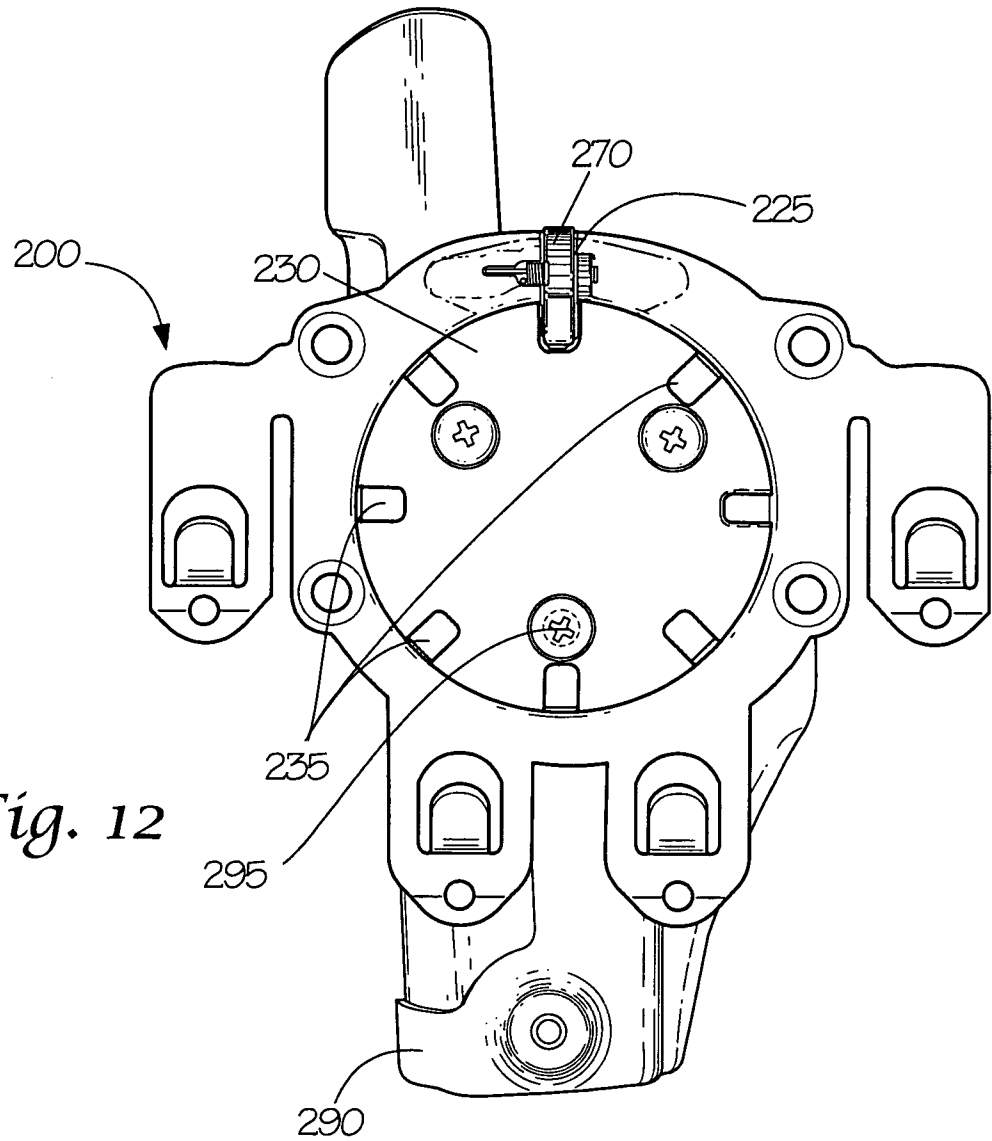
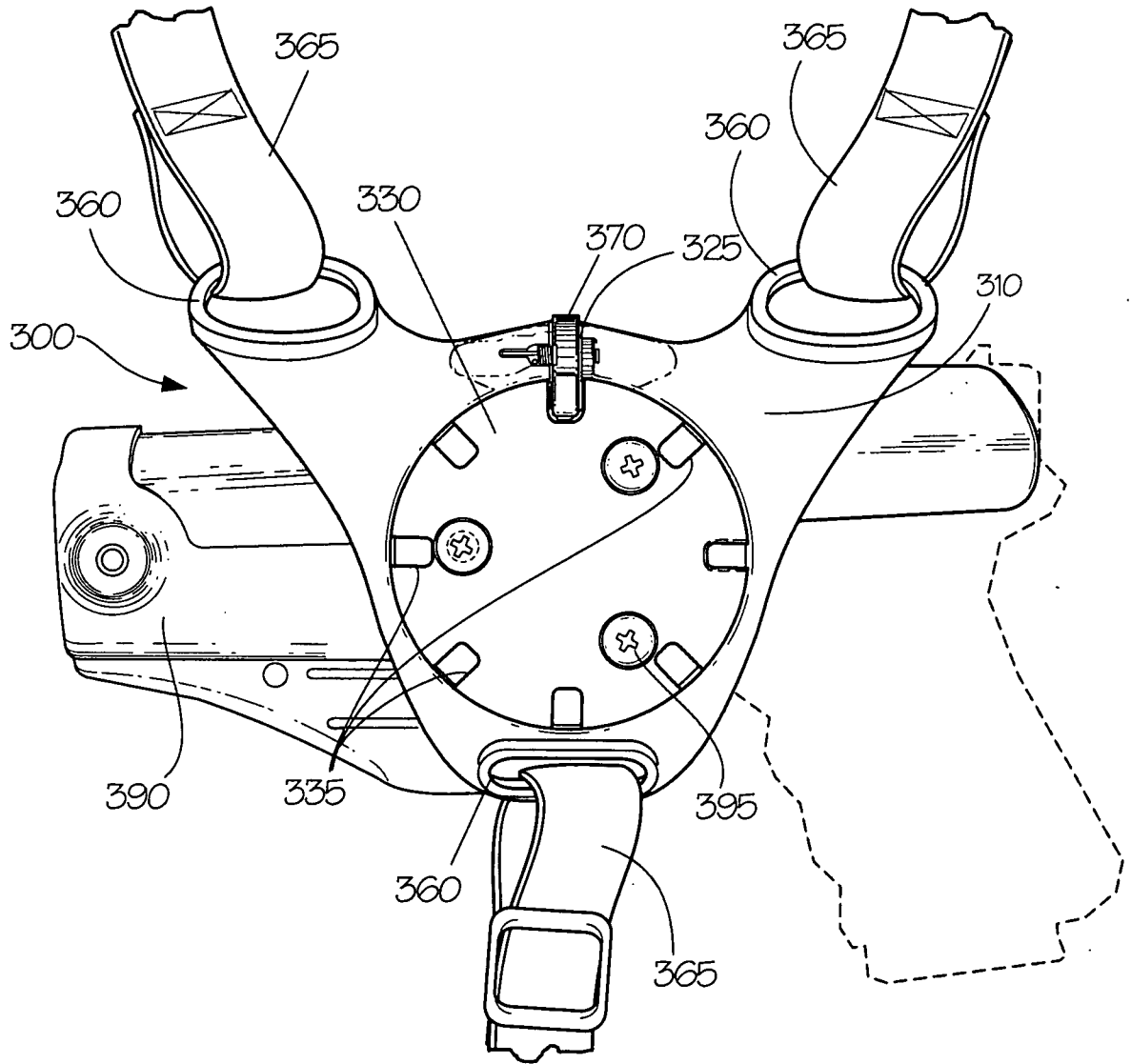


Fig. 10



*Fig. 12*



*Fig. 13*

INTERNATIONAL SEARCH REPORT

International application No.

PCT/US 08/11603

<p><b>A. CLASSIFICATION OF SUBJECT MATTER</b>                  IPC(8) - F41C 33/02 (2008.04)                  USPC - 224/198                  According to International Patent Classification (IPC) or to both national classification and IPC</p>		
<p><b>B. FIELDS SEARCHED</b></p>		
<p>Minimum documentation searched (classification system followed by classification symbols)                  USPC - 224/198</p>		
<p>Documentation searched other than minimum documentation to the extent that such documents are included in the fields searched                  USPC - 224/911,912,163,195,238,240,243,192,198</p>		
<p>Electronic data base consulted during the international search (name of data base and, where practicable, search terms used)                  PubWEST (PGPB,USPT,EPAB,JPAB); Google                  Search Terms Used:                  Holster, rotate, swivel, spin, lock, release, lever, pivot</p>		
<p><b>C. DOCUMENTS CONSIDERED TO BE RELEVANT</b></p>		
Category*	Citation of document, with indication, where appropriate, of the relevant passages	Relevant to claim No.
Y	US 6,189,751 B1 (Tsemg) 20 February 2001 (20.02.2001), Fig 3	1-20
Y	US 2006/0196903 A1 (Tanzini) 7 September 2006 (07.09.2006), para [0030], [0033], [0034], Fig 1A, Fig 1B, Fig 2, Fig 5A	1-20
<p><input type="checkbox"/> Further documents are listed in the continuation of Box C. <input type="checkbox"/></p>		
<p>* Special categories of cited documents:</p>		
“A”	document defining the general state of the art which is not considered to be of particular relevance	“T” later document published after the international filing date or priority date and not in conflict with the application but cited to understand the principle or theory underlying the invention
“E”	earlier application or patent but published on or after the international filing date	“X” document of particular relevance; the claimed invention cannot be considered novel or cannot be considered to involve an inventive step when the document is taken alone
“L”	document which may throw doubts on priority claim(s) or which is cited to establish the publication date of another citation or other special reason (as specified)	“Y” document of particular relevance; the claimed invention cannot be considered to involve an inventive step when the document is combined with one or more other such documents, such combination being obvious to a person skilled in the art
“O”	document referring to an oral disclosure, use, exhibition or other means	“&” document member of the same patent family
“P”	document published prior to the international filing date but later than the priority date claimed	
<p>Date of the actual completion of the international search                  01 December 2008 (01.12.2008)</p>		<p>Date of mailing of the international search report  <b>12 DEC 2008</b></p>
<p>Name and mailing address of the ISA/US                  Mail Stop PCT, Attn: ISA/US, Commissioner for Patents                  P.O. Box 1450, Alexandria, Virginia 22313-1450                  Facsimile No. 571-273-3201</p>		<p>Authorized officer:                  Lee W. Young                  PCT Helpdesk: 571-272-4300                  PCT OSP: 571-272-7774</p>