



US00D599234S

(12) **United States Design Patent**  
**Ito**

(10) **Patent No.:** **US D599,234 S**

(45) **Date of Patent:** **\*\* Sep. 1, 2009**

(54) **AUTO-SAMPLER FOR CHROMATOGRAPH**

2008/0219886 A1\* 9/2008 Fukuju et al. .... 422/63  
2008/0286753 A1\* 11/2008 Erickson et al. .... 422/63  
2009/0035873 A1\* 2/2009 Shibata ..... 422/63

(75) Inventor: **Toru Ito**, Tokyo (JP)

\* cited by examiner

(73) Assignee: **Shiseido Co., Ltd.**, Tokyo (JP)

*Primary Examiner*—Antoine D Davis

(\*\*) Term: **14 Years**

(74) *Attorney, Agent, or Firm*—Manabu Kanesaka

(21) Appl. No.: **29/311,599**

(57) **CLAIM**

(22) Filed: **Apr. 28, 2009**

The ornamental design for an auto-sampler for chromatograph, as shown and described.

(51) **LOC (9) Cl.** ..... **10-04**

(52) **U.S. Cl.** ..... **D10/81**

(58) **Field of Classification Search** ..... D10/81;  
D24/216, 231–233; 73/23.41, 61.55, 61.56,  
73/863.01, 864, 864.01, 864.21, 864.86,  
73/864.87; 96/103, 106; 210/189, 198.2,  
210/656; 235/462.21; 250/281, 282, 577

See application file for complete search history.

**DESCRIPTION**

FIG. 1 is a perspective view of an auto-sampler for chromatograph showing my new design;

FIG. 2 is a front view thereof;

FIG. 3 is a rear view thereof;

FIG. 4 is a plan view thereof;

FIG. 5 is a bottom view thereof;

FIG. 6 is a right side view thereof;

FIG. 7 is a left side view thereof; and,

FIG. 8 is a sectional view thereof taken along line 8—8 in FIG. 2.

(56) **References Cited**

**U.S. PATENT DOCUMENTS**

D424,956 S \* 5/2000 von Buelow et al. .... D10/81  
D474,280 S \* 5/2003 Niedbala et al. .... D24/232  
D523,153 S \* 6/2006 Akashi et al. .... D10/81  
7,319,031 B2 \* 1/2008 Vent et al. .... 435/286.2  
2008/0156119 A1 \* 7/2008 Zilioli ..... 73/864.21

**1 Claim, 5 Drawing Sheets**

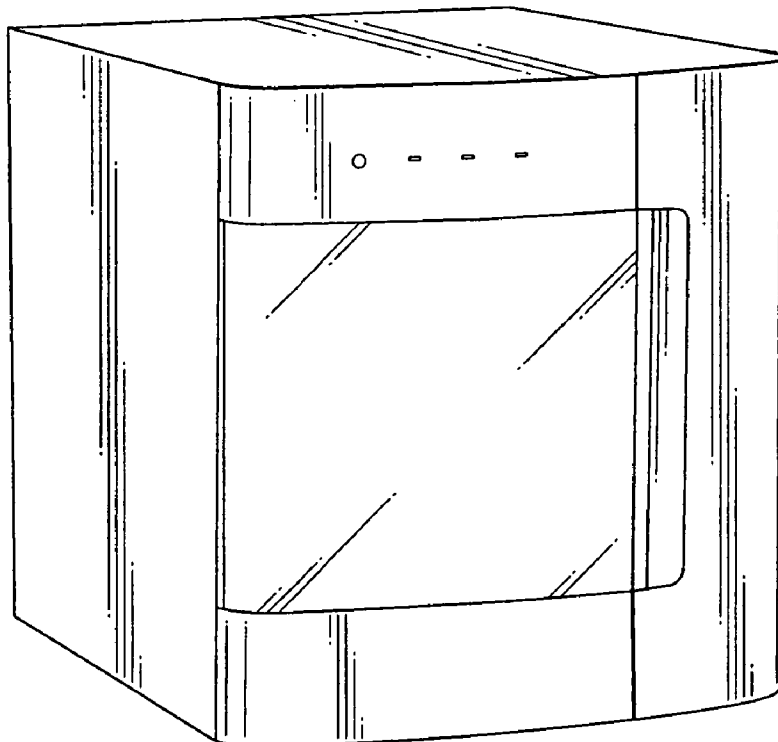


FIG. 1

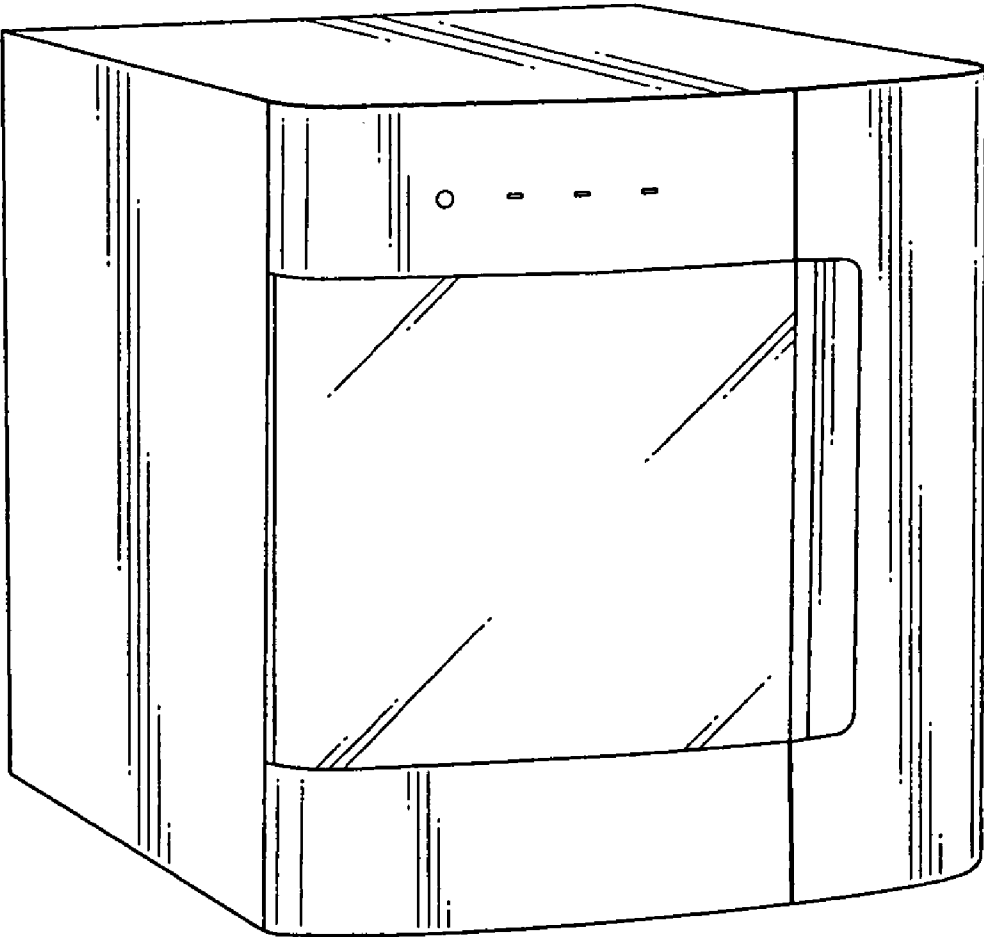


FIG.2

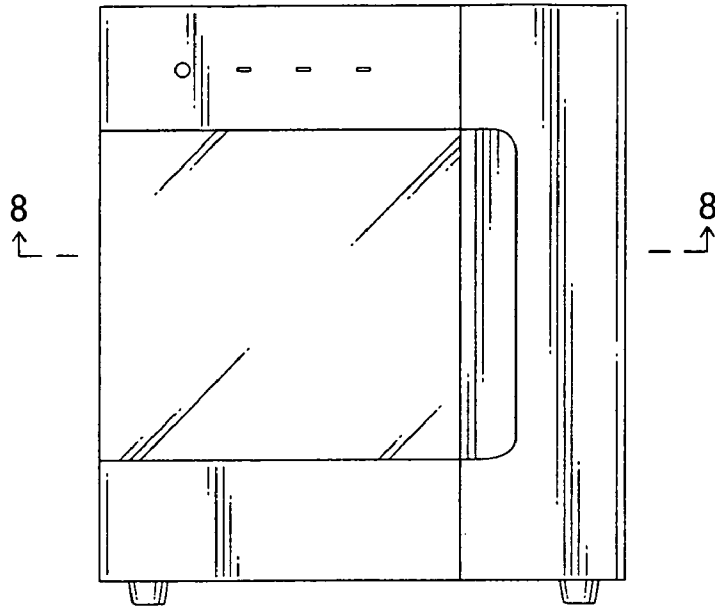


FIG.3

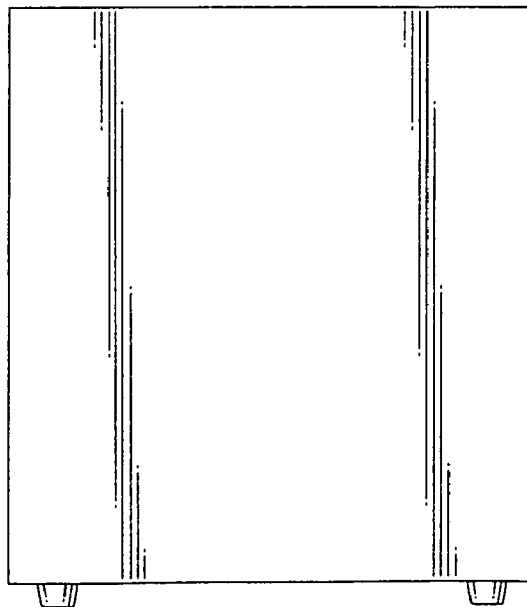


FIG.4

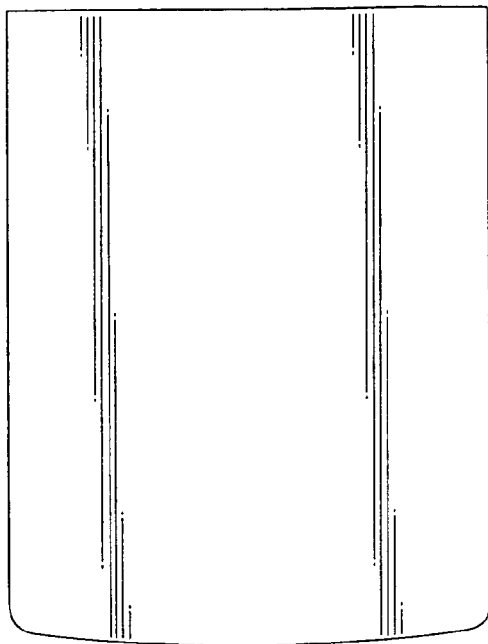


FIG.5

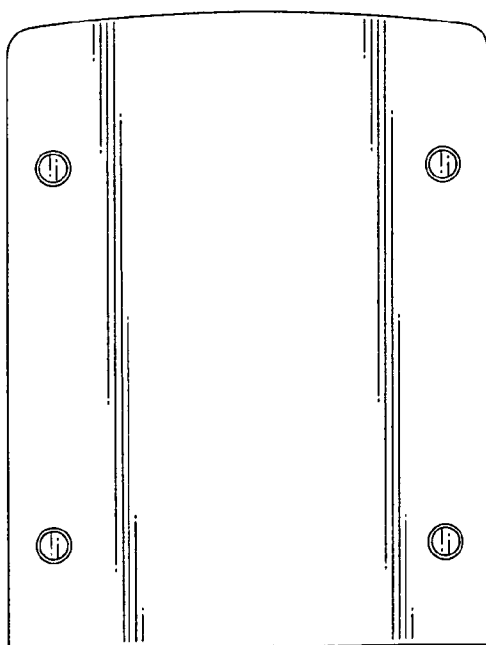


FIG.6

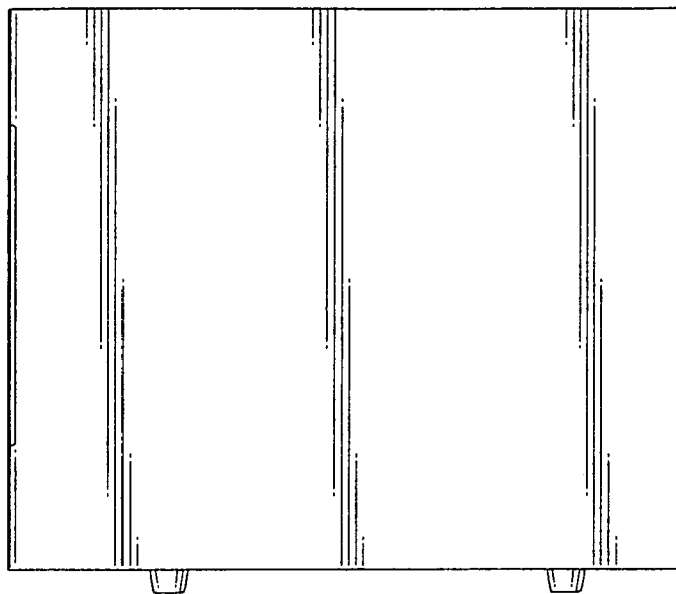


FIG.7

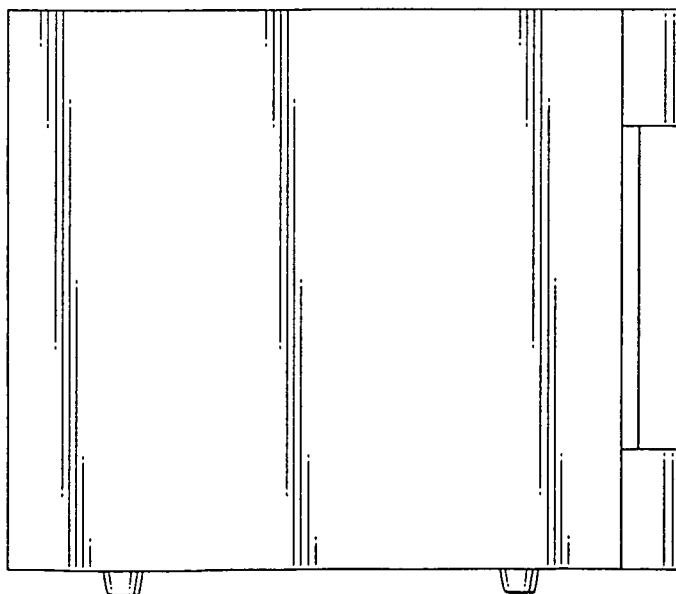


FIG.8

