



US00D934812S

(12) **United States Design Patent**
He

(10) **Patent No.:** **US D934,812 S**

(45) **Date of Patent:** **** Nov. 2, 2021**

(54) **USB ADAPTER**

(71) Applicant: **HuNan Jiangnan Electronics Technology Co., Ltd., Hunan (CN)**

(72) Inventor: **Tiejun He, Hunan (CN)**

(**) Term: **15 Years**

(21) Appl. No.: **29/687,766**

(22) Filed: **Apr. 16, 2019**

(51) **LOC (13) Cl.** **13-03**

(52) **U.S. Cl.**
USPC **D13/147**

(58) **Field of Classification Search**
USPC D13/103, 107, 108, 118–121, 123, 133,
D13/145–147, 149, 151, 153, 154, 173,
D13/184, 199; D14/433, 356, 435, 435.1,
D14/480.5, 484.1
CPC H01R 9/00; H01R 12/00; H01R 12/72;
H01R 13/00; H01R 13/58; H01R 13/65;
H01R 13/6581; H01R 13/66; H01R
13/703; H01R 13/717
See application file for complete search history.

(56) **References Cited**

U.S. PATENT DOCUMENTS

D470,819	S	*	2/2003	Sass	D13/133
D512,381	S	*	12/2005	Sirichai	D13/154
D516,032	S	*	2/2006	Suckle	D13/147
D520,457	S	*	5/2006	Wada	D13/156
D543,148	S	*	5/2007	Suckle	D13/146
D586,293	S	*	2/2009	Fujino	D13/133
D621,362	S	*	8/2010	Huang	D13/147
D622,224	S	*	8/2010	Lin	D13/147
D634,710	S	*	3/2011	Hsieh	D13/147
D675,575	S	*	2/2013	Izen	D13/147
D680,076	S	*	4/2013	McManigal	D13/147
D716,234	S	*	10/2014	Tien	D13/147
D727,907	S	*	4/2015	Higashi	D14/433
D731,434	S	*	6/2015	Akana	D13/147

D733,658	S	*	7/2015	Yang	D13/147
D744,428	S	*	12/2015	Rodriguez	D13/147
D788,041	S	*	5/2017	Akana	D13/147
D880,429	S	*	4/2020	Wu	D13/153
D882,524	S	*	4/2020	Rong	D13/153
D924,151	S	*	7/2021	Chen	D13/133
D925,548	S	*	7/2021	Cran	D14/480.5
2016/0149338	A1	*	5/2016	Xing	B29C 70/84 439/449

(Continued)

OTHER PUBLICATIONS

MFI Certified Apple Lightning Adapter, dated Jul. 14, 2015, [online], [site visited Aug. 6, 2020]. Available from Internet, URL: <https://store.powerstick.com/products/lightning-to-micro-usb-adapter> (Year: 2015).*

(Continued)

Primary Examiner — Shawn T Gingrich
(74) *Attorney, Agent, or Firm* — Prakash Nama; Global IP Services, PLLC

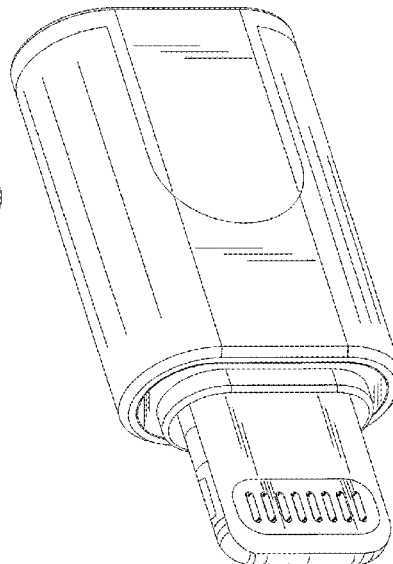
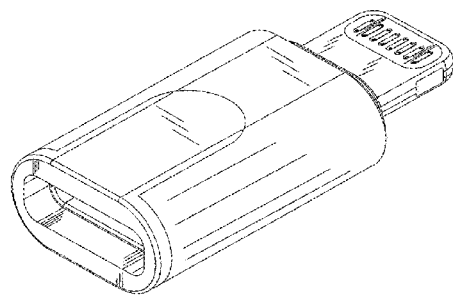
(57) **CLAIM**

The ornamental design for a USB adapter, as shown and described.

DESCRIPTION

FIG. 1 is a front elevational view of a USB adapter showing my new design;
FIG. 2 is a rear elevational view thereof;
FIG. 3 is a left side view thereof;
FIG. 4 is a right side view thereof;
FIG. 5 is a top plan view thereof;
FIG. 6 is a bottom plan view thereof;
FIG. 7 is a perspective view thereof; and,
FIG. 8 is another perspective view thereof.
The broken lines shown in USB adapter form no part of the claimed design.

1 Claim, 8 Drawing Sheets



(56)

References Cited

U.S. PATENT DOCUMENTS

2016/0322761	A1*	11/2016	Wu	H01R 13/7175
2016/0344145	A1*	11/2016	Zhou	H01R 13/7172
2017/0085041	A1*	3/2017	Zhang	H01R 13/7175
2017/0207582	A1*	7/2017	Hsu	H01R 13/665
2018/0138643	A1*	5/2018	Huang	H01R 13/6683
2019/0267761	A1*	8/2019	Wu	H01R 13/6581

OTHER PUBLICATIONS

Lightning to Micro USB Adapter, dated Mar. 13, 2016, [online], [site visited Aug. 6, 2020]. Available from Internet, URL: <http://www.apple.com/shop/product/MD820AM/A/lightning-to-micro-usb-adapter> (Year: 2016).*

Avantree [Apple MFi Certified] 2 Pack Micro USB to 8 Pin Adapter Converters, dated Mar. 10, 2017, [online], [site visited Aug. 6, 2020]. Available from Internet, URL: <https://www.amazon.com/certified-Avantree-Lightning-Converter-Compatible/dp/B06XH9YXML> (Year: 2017).*

* cited by examiner

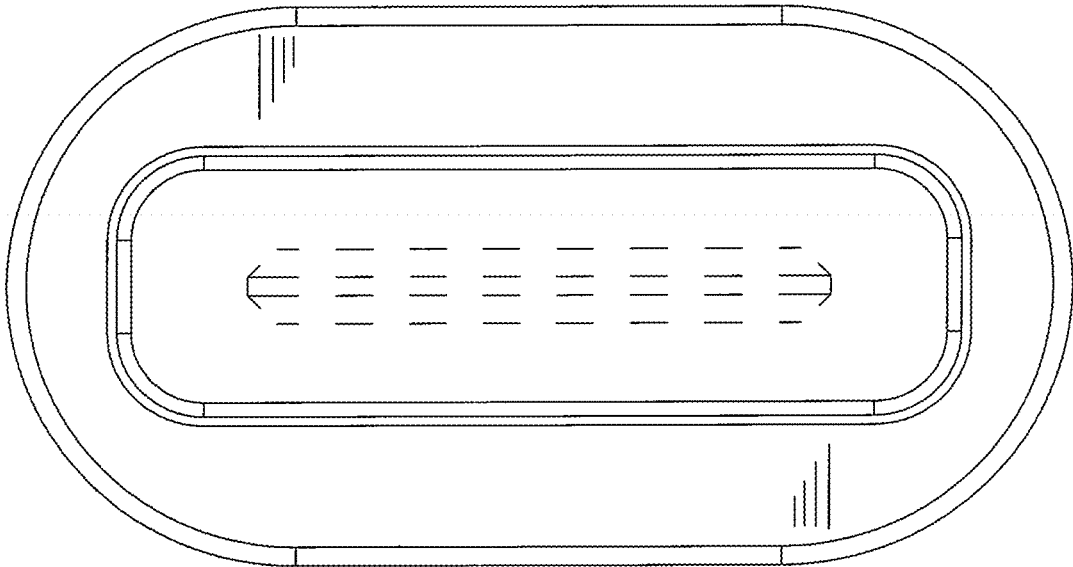


FIG. 1

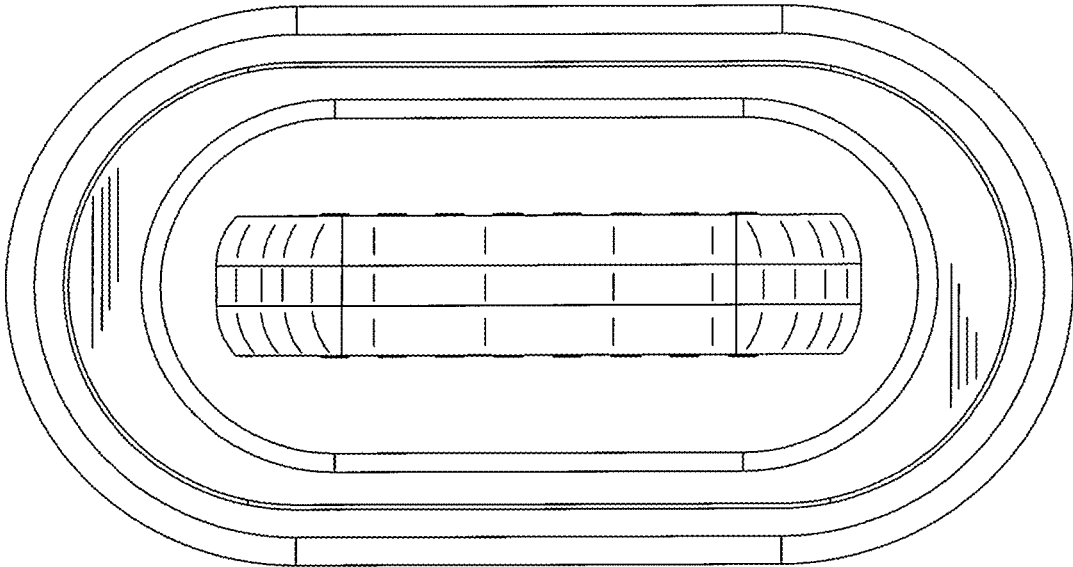


FIG. 2

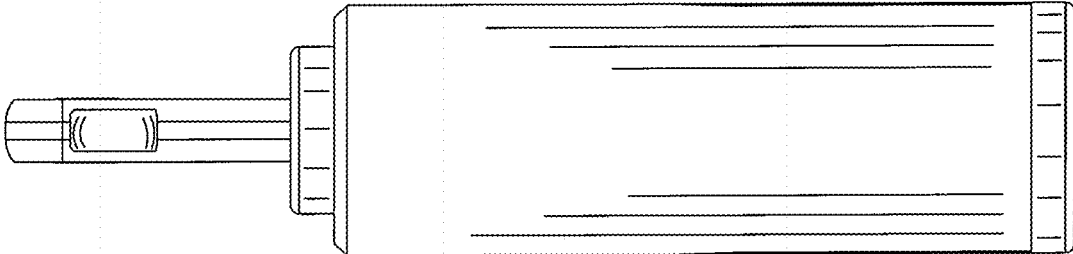


FIG. 3

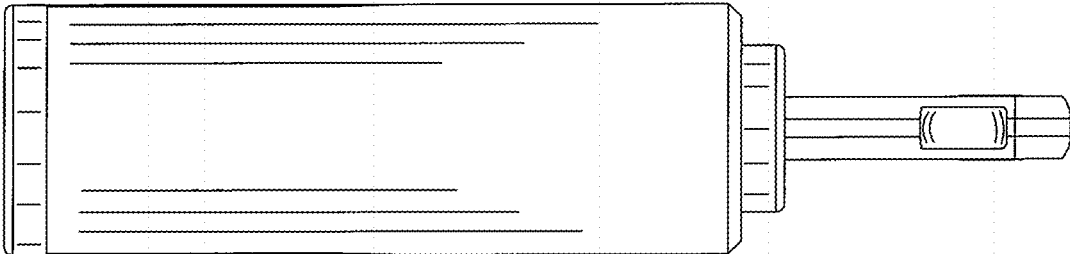


FIG. 4

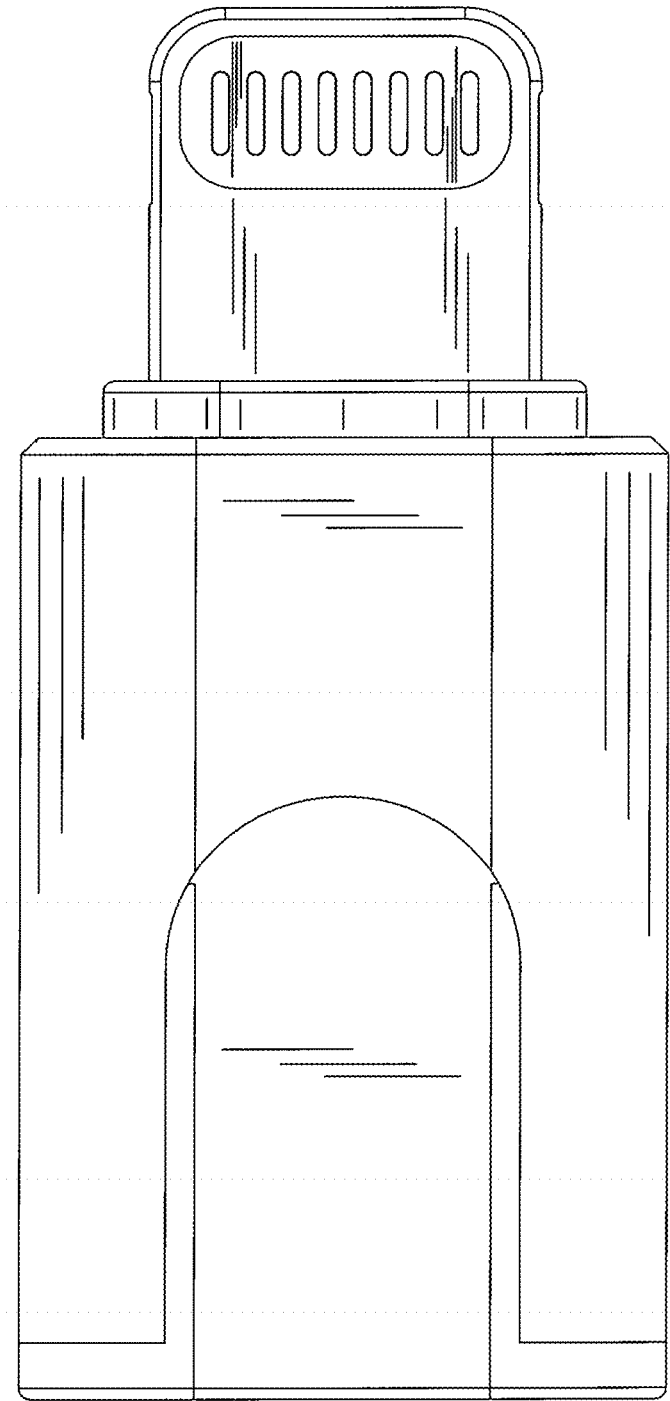


FIG. 5

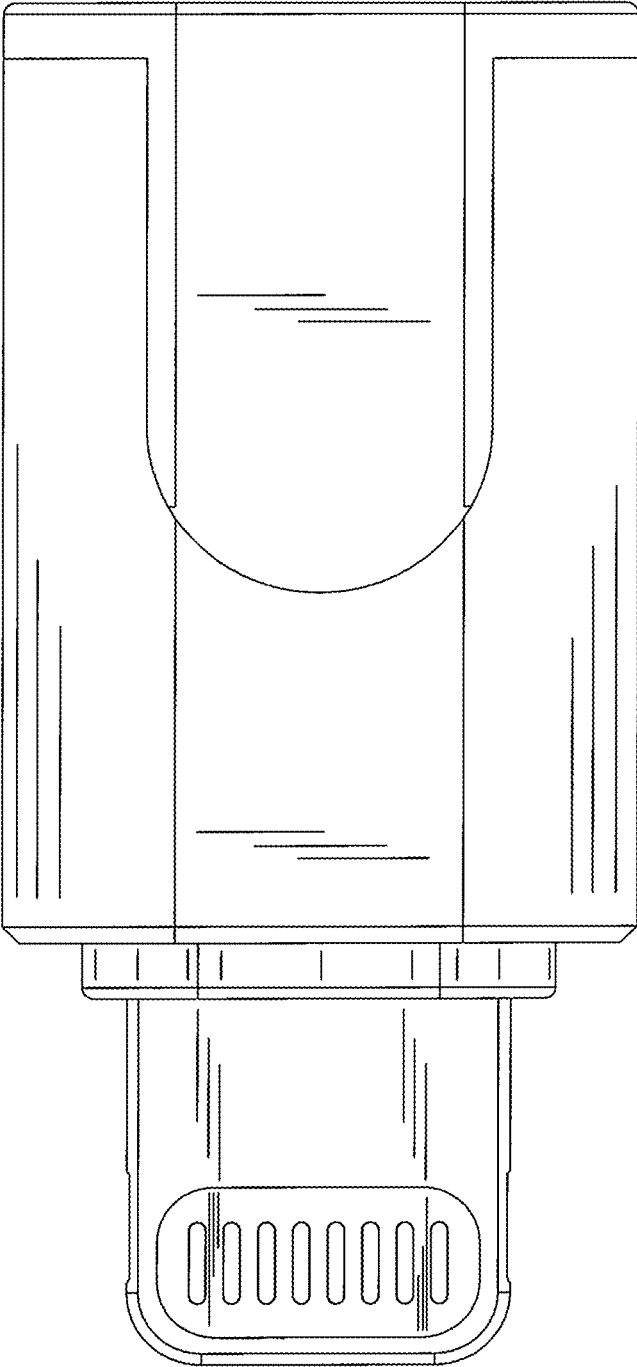


FIG. 6

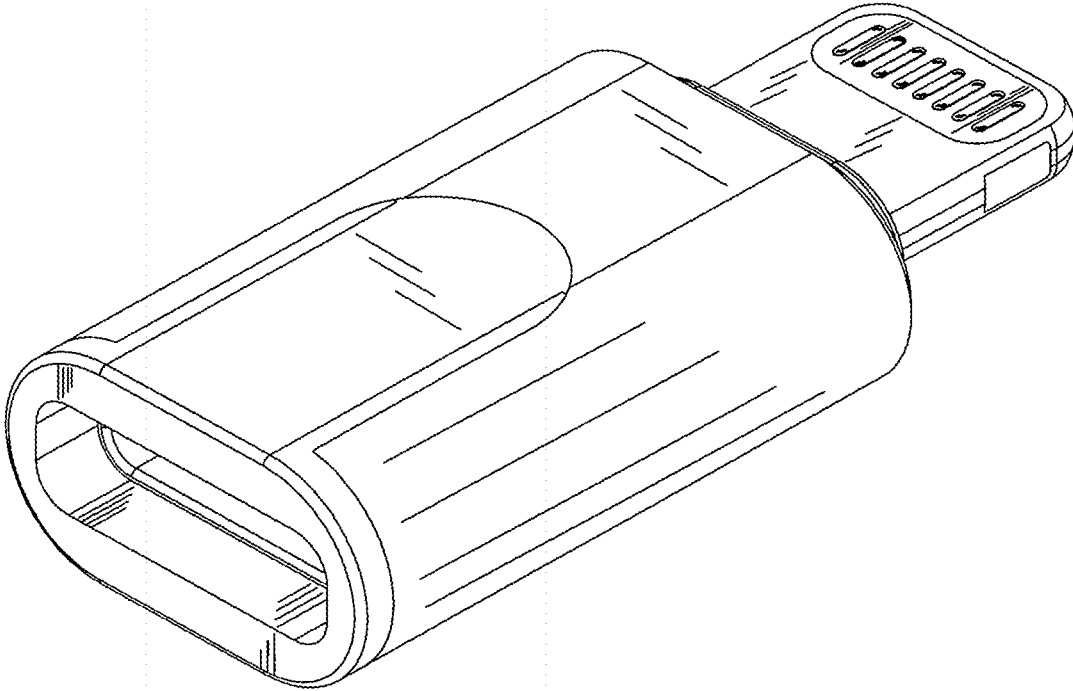


FIG. 7

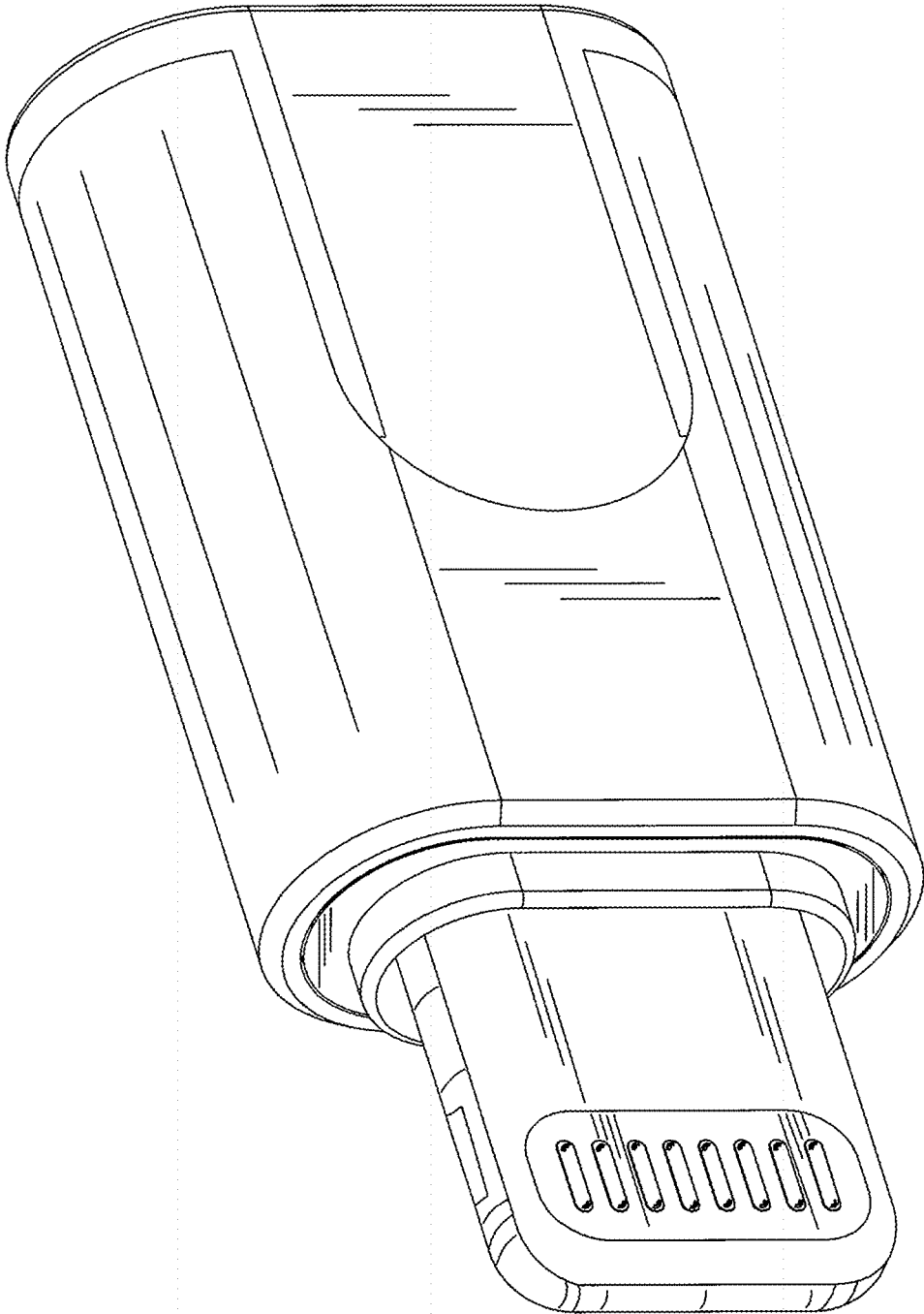


FIG. 8