



US00D868911S

(12) **United States Design Patent**
Rogers

(10) **Patent No.:** **US D868,911 S**
(45) **Date of Patent:** **** Dec. 3, 2019**

(54) **CALISTHENICS EXERCISE MACHINE**

D212,193 S * 9/1968 Rudy D21/539
3,857,561 A * 12/1974 Cecchetti A63B 21/00047

(71) Applicant: **Kim Rogers**, Bothell, WA (US)

D265,575 S * 7/1982 Lunford D21/691

(72) Inventor: **Kim Rogers**, Bothell, WA (US)

(Continued)

(**) Term: **15 Years**

OTHER PUBLICATIONS

(21) Appl. No.: **29/610,933**

Stamina by Fitness Factory Outlet dated no date given. Found online [Jan. 22, 2019] https://www.fitnessfactoryoutlet.com/Stamina-X-Warrior.html?utm_source=google-shopping&utm_medium=organic&gclid=Cj0KCQiAm5viBRD4ARIsADGUT25TL8-eywR_gVP5IOW3DypLCmrCwht7S2XgTHIJg463CO96-ewgmxaAIOgEALw_wcB.*

(22) Filed: **Jul. 17, 2017**

Related U.S. Application Data

(63) Continuation-in-part of application No. 13/907,067, filed on May 31, 2013, now Pat. No. 9,713,745.

Primary Examiner — Ryan Harvey

(74) *Attorney, Agent, or Firm* — Dean A. Crane, P.S.

(51) **LOC (12) Cl.** **21-02**

(52) **U.S. Cl.**

(57) **CLAIM**

USPC **D21/691**

The ornamental design for a calisthenics exercise machine, as shown and described.

(58) **Field of Classification Search**

DESCRIPTION

USPC D6/656.1, 552, 549, 548; D21/827, 826, D21/797, 694, 691, 690, 686, 679, 673, D21/665, 662; 482/96, 95, 94, 93, 92, 482/87, 8, 77, 41, 40, 38, 36, 35, 2, 148, 482/147, 144, 142, 141, 140, 135, 133, 482/132, 130, 128, 104, 101; 472/136, 472/118

FIG. 1 is a side perspective view of a calisthenics exercise machine in a typical operating position.
FIG. 2 is a right side elevational view of the calisthenics exercise machine shown in FIG. 1.
FIG. 3 is a left side elevational view of the calisthenics exercise machine shown in FIG. 1.
FIG. 4 is a rear elevational view of the calisthenics exercise machine shown in FIG. 1.
FIG. 5 is a front elevational view of the calisthenics exercise machine shown in FIG. 1.
FIG. 6 is a bottom plan view of the calisthenics exercise machine shown in FIG. 1 in a folded, closed position with the side member aligned in a parallel configuration.
FIG. 7 is a top plan view of the calisthenics exercise machine shown in FIG. 6.
FIG. 8 is a top plan view of the calisthenics exercise machine shown in FIG. 1 with the two side members rotated outward; and,

CPC A63B 21/4035; A63B 21/0552; A63B 23/0211; A63B 2210/50; A63B 21/4047; A63B 23/12; A63B 21/068; A63B 21/154; A63B 2208/0204; A63B 23/1236; A63B 21/00047; A63B 23/1218; A63B 23/1227; A63B 1/00

See application file for complete search history.

(56) **References Cited**

U.S. PATENT DOCUMENTS

2,673,737 A * 3/1954 Daniels A63B 21/00072
482/130
3,006,643 A * 10/1961 Ryan A61G 13/009
273/DIG. 6

(Continued)

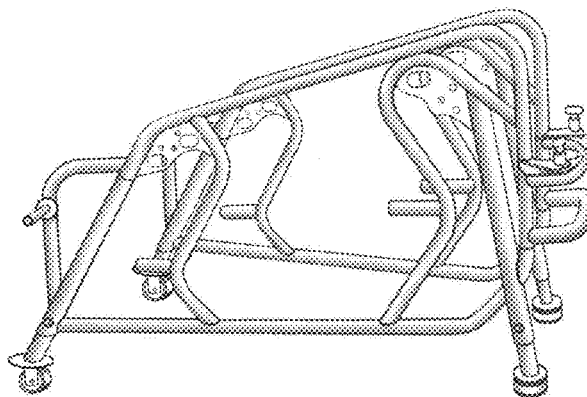


FIG. 9 is a top plan view of the calisthenics exercise machine shown in FIG. 7 with the two side members rotated in an offset configuration for compact storage.

1 Claim, 9 Drawing Sheets

(56)

References Cited

U.S. PATENT DOCUMENTS

4,369,966 A * 1/1983 Silberman A63B 21/154
482/104
4,461,287 A * 7/1984 Takahashi A61H 1/0218
482/144
D280,922 S * 10/1985 Sieder D21/690
4,638,995 A * 1/1987 Wilson A63B 21/0004
297/452.13
4,666,154 A * 5/1987 Lipscomb A63B 21/00047
482/142
4,753,438 A * 6/1988 Paris A61H 1/0218
482/144
D298,959 S * 12/1988 DeGalvez D21/691
D300,157 S * 3/1989 Yates D21/690
4,923,194 A * 5/1990 Montgomery ... A63B 21/00047
482/141
D320,823 S * 10/1991 Tanner D21/686
D320,824 S * 10/1991 Cordon D21/690
5,082,260 A * 1/1992 Dinelli A63B 21/078
482/104
D324,708 S * 3/1992 Walsh D21/691
5,221,246 A * 6/1993 Torii A63B 21/00047
482/121
5,876,311 A * 3/1999 Coates A47C 3/0252
297/274
6,422,982 B1 * 7/2002 Retel A61H 1/0218
482/143
6,692,417 B2 * 2/2004 Burrell A63B 21/00047
482/141

D503,757 S * 4/2005 Sjurdagardi D21/686
7,125,371 B2 * 10/2006 Henderson A63B 21/068
482/142
7,144,353 B2 * 12/2006 Sjuragari A63B 21/00047
482/142
7,534,200 B1 * 5/2009 Martinez A63B 21/00047
482/142
7,651,449 B1 * 1/2010 Balentine A63B 21/00047
248/163.1
7,662,067 B2 * 2/2010 Payne A63B 21/00047
482/140
D613,804 S * 4/2010 Perez D21/691
D617,400 S * 6/2010 Hetzel D21/691
D633,962 S * 3/2011 Stacey D21/691
8,021,273 B2 * 9/2011 Kopp A63B 1/00
297/281
D666,259 S * 8/2012 Garcia D21/686
D686,287 S * 7/2013 Boatwright D21/686
9,095,742 B2 * 8/2015 Henniger A63B 21/0724
D752,161 S * 3/2016 Wartenbergh D21/691
9,327,153 B2 * 5/2016 Wallisch A63B 3/00
9,517,382 B2 * 12/2016 Payne A63B 23/1236
2002/0082145 A1 * 6/2002 Hamilton A63B 3/00
482/38
2005/0187083 A1 * 8/2005 Krystoff A63B 21/00047
482/140
2009/0124471 A1 * 5/2009 Storch A63B 21/00047
482/141
2010/0152007 A1 * 6/2010 Le A63B 26/003
482/148
2013/0324383 A1 * 12/2013 Rogers A63B 26/00
482/142
2015/0014212 A1 * 1/2015 Beaver A63B 23/0458
206/579
2015/0290488 A1 * 10/2015 Hopperstad A63B 21/078
482/38
2016/0129302 A1 * 5/2016 Vallo A61H 15/00
482/132
2017/0209733 A1 * 7/2017 Beaver A63B 21/169
2018/0326250 A1 * 11/2018 Henniger A63B 21/068

* cited by examiner

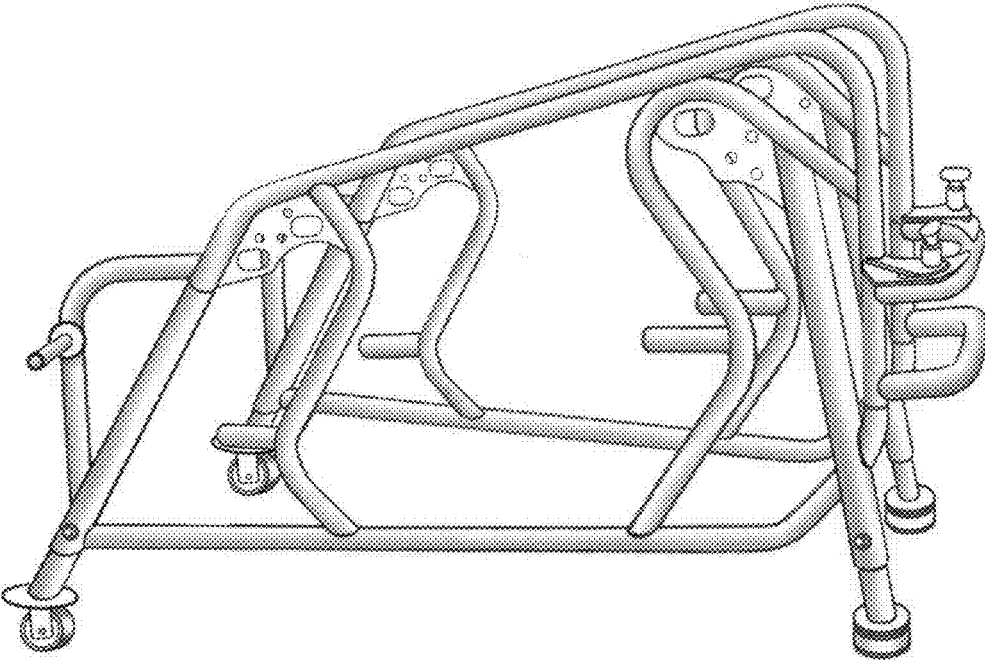


FIG. 1

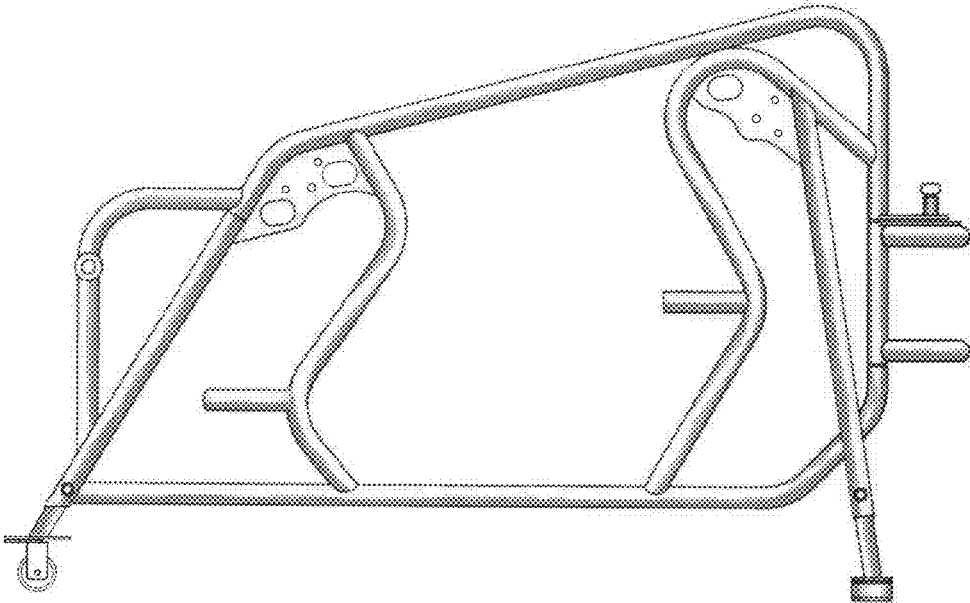


FIG. 2

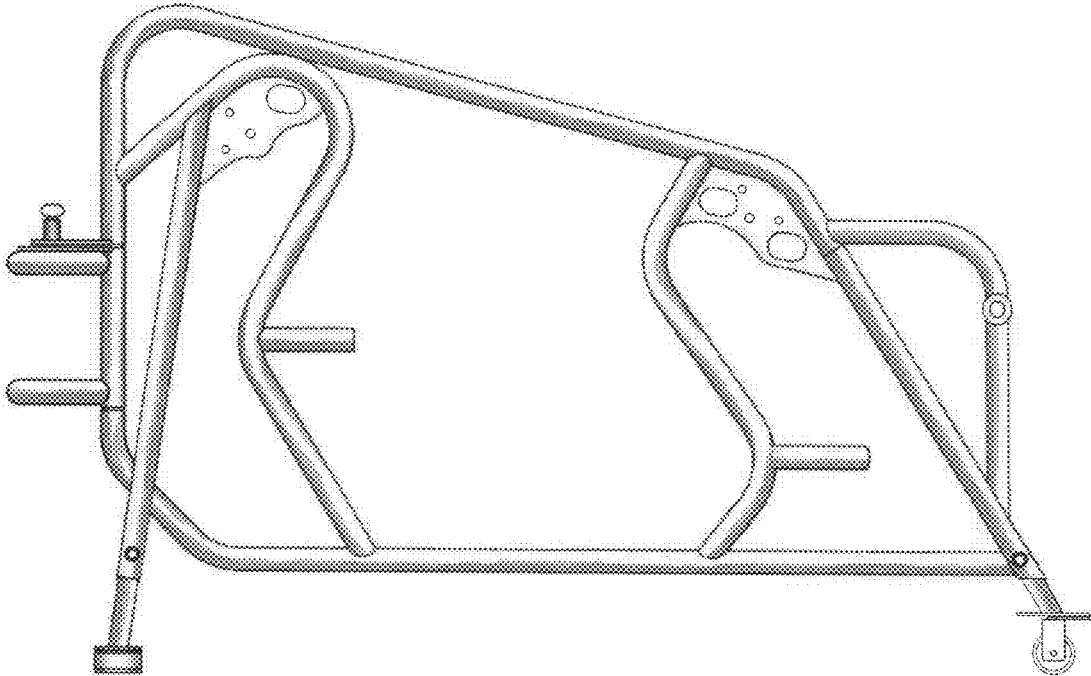


FIG. 3

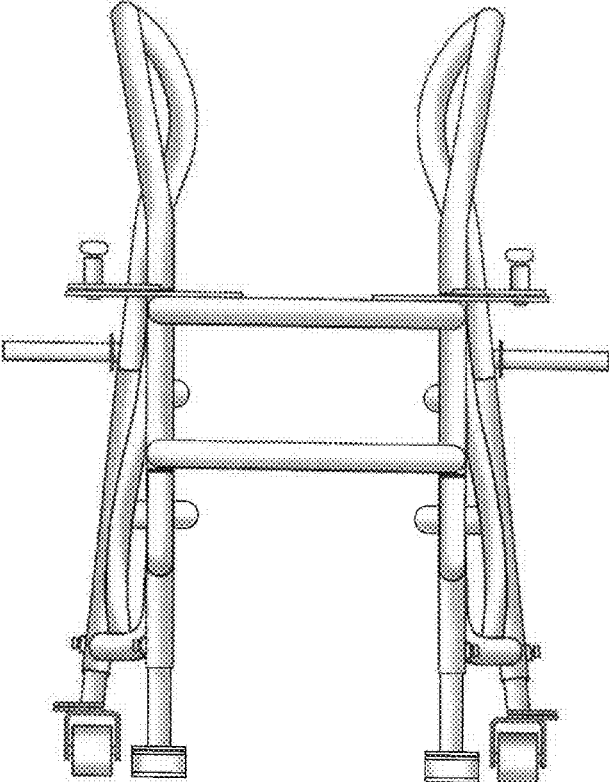


FIG. 4

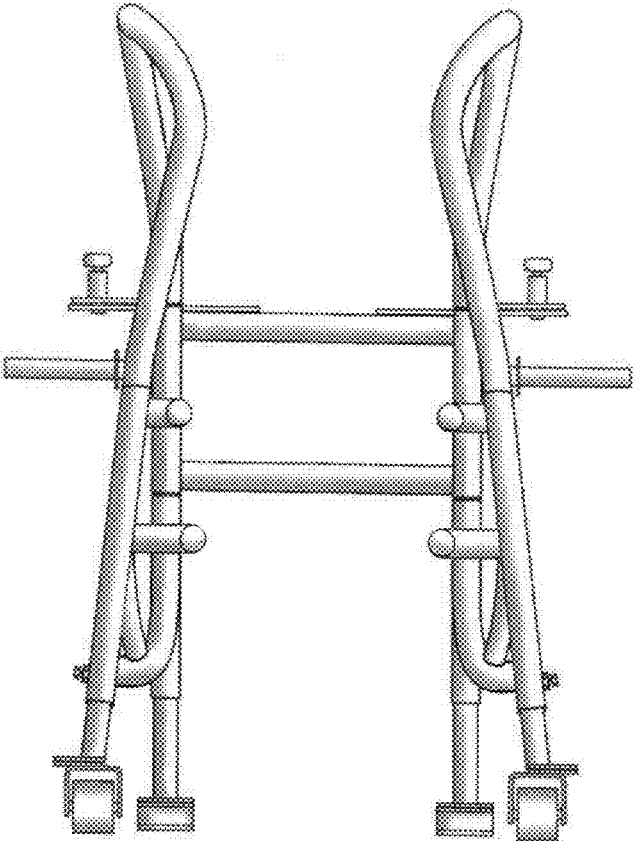


FIG. 5

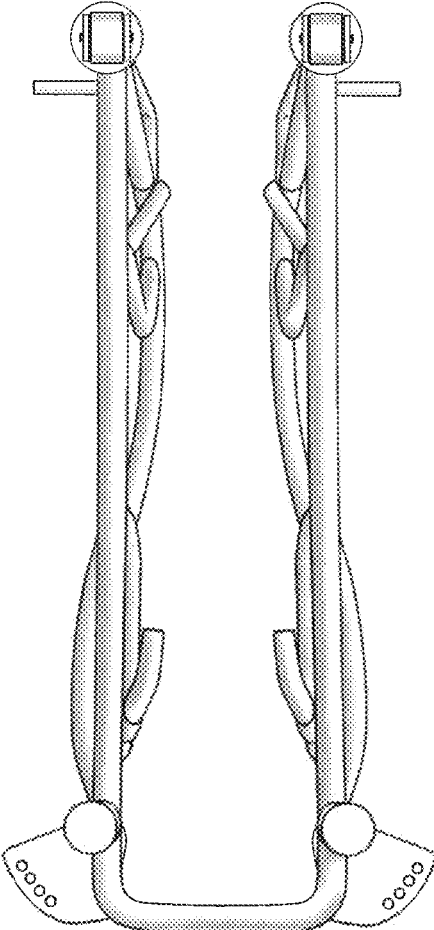


FIG. 6

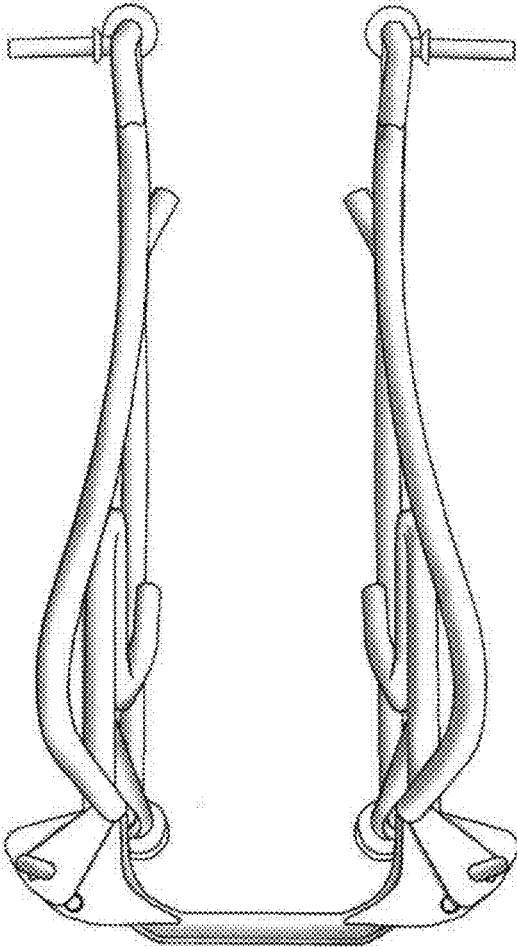


FIG. 7

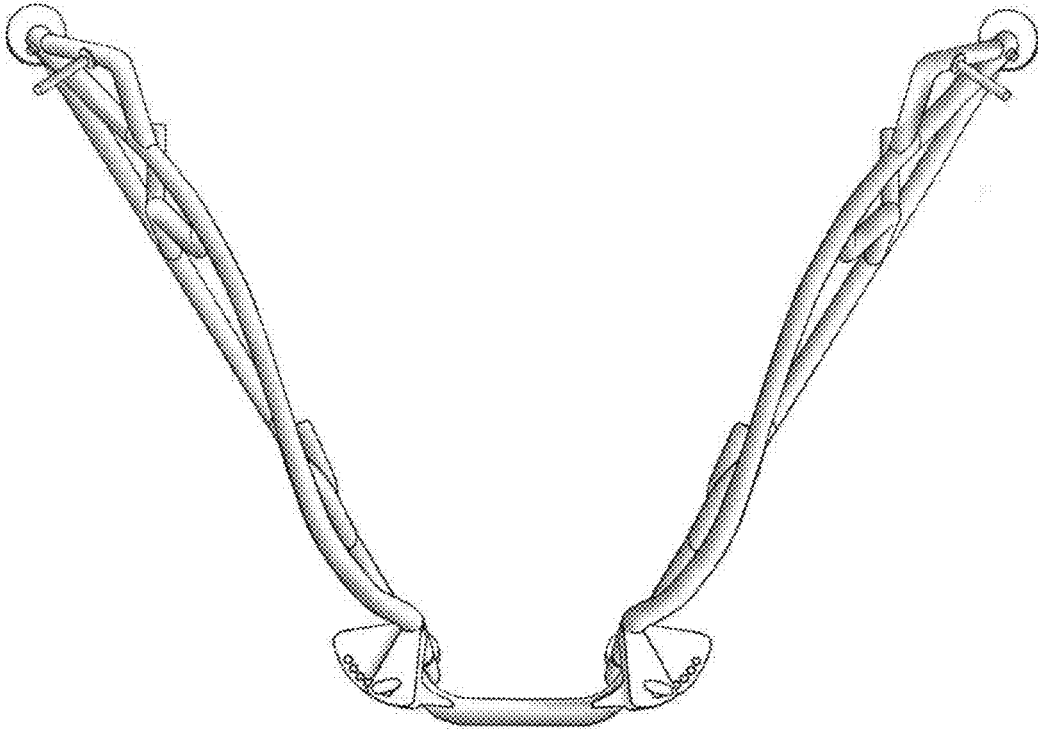


FIG. 8

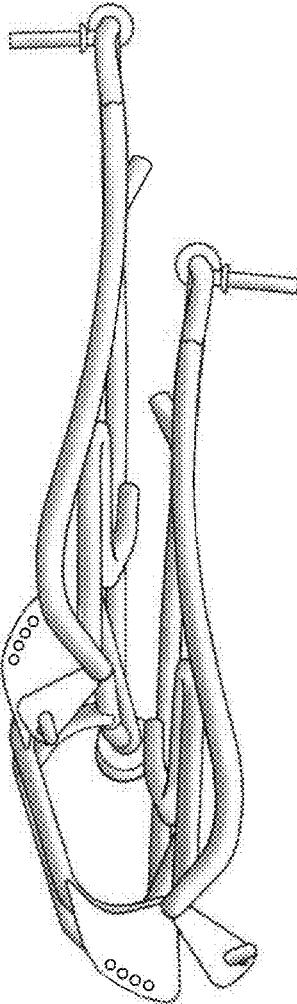


FIG. 9