



US00D753948S

(12) **United States Design Patent**
Kestenbaum

(10) **Patent No.:** **US D753,948 S**

(45) **Date of Patent:** **** Apr. 19, 2016**

(54) **COFFEE CARAFE**

(71) Applicant: **EURO-PRO OPERATING LLC**,
Newton, MA (US)

(72) Inventor: **Daniel Kestenbaum**, Cambridge, MA
(US)

(73) Assignee: **SHARKNINJA OPERATING LLC**,
Newton, MA (US)

(**) Term: **14 Years**

(21) Appl. No.: **29/488,696**

(22) Filed: **Apr. 22, 2014**

(51) **LOC (10) Cl.** **07-01**

(52) **U.S. Cl.**

USPC **D7/318; D7/317**

(58) **Field of Classification Search**

USPC D7/318, 319, 300, 303, 310, 311, 312,
D7/320, 314, 315, 316, 317, 321, 322, 589,
D7/590, 667, 392, 397, 399, 400; 222/461,
222/146.5, 481, 544, 129.1, 189.06,
222/189.07; 99/279, 358, 453, 451, 287;
D10/46.2

CPC A47J 27/21; A47J 27/21008; A47J
27/24041; A47J 41/00; A47J 31/005; A47J
31/06; A47J 31/00; A47J 31/24; A47J 31/14

See application file for complete search history.

(56) **References Cited**

U.S. PATENT DOCUMENTS

D175,086	S	*	7/1955	Mango	D7/318
D194,697	S	*	2/1963	Douglas	D7/317
D198,702	S	*	7/1964	Douglas	D7/318
3,241,699	A	*	3/1966	Burg	215/386
3,311,399	A	*	3/1967	Holton	294/31.2
D221,796	S	*	9/1971	Greger	D7/317
D232,410	S	*	8/1974	Rakocy	D7/309
D239,074	S	*	3/1976	Rakocy	D7/309
D245,058	S	*	7/1977	Hauenstein	D7/318

4,058,338	A	*	11/1977	Brown	294/31.2
D252,003	S	*	6/1979	Tsuji	D7/310
D370,156	S	*	5/1996	Feltman et al.	D7/536
5,680,951	A	*	10/1997	Feltman et al.	220/253
D390,409	S	*	2/1998	Littmann	D7/309
D393,174	S	*	4/1998	Mork et al.	D7/318
D409,051	S	*	5/1999	Huang	D7/608
D444,338	S	*	7/2001	Huang	D7/318
D461,087	S	*	8/2002	Hatsumoto	D7/318
D480,254	S	*	10/2003	Hirose	D7/318

(Continued)

Primary Examiner — Marianne Pandozzi

Assistant Examiner — Jae Liang

(74) *Attorney, Agent, or Firm* — Cantor Colburn LLP

(57) **CLAIM**

The ornamental design for a coffee carafe, as shown and described.

DESCRIPTION

FIG. 1 is a first perspective view of a coffee carafe showing a first embodiment of my new design;

FIG. 2 is second perspective view thereof;

FIG. 3 is a front elevational view thereof;

FIG. 4 is a rear elevational view thereof;

FIG. 5 is a top plan view thereof;

FIG. 6 is a bottom plan view thereof;

FIG. 7 is a left side view thereof;

FIG. 8 is a right side view thereof;

FIG. 9 is a first perspective view of a coffee carafe showing a second embodiment of my new design;

FIG. 10 is a second perspective view thereof;

FIG. 11 is a front elevational view thereof;

FIG. 12 is a rear elevational view thereof;

FIG. 13 is a top plan view thereof;

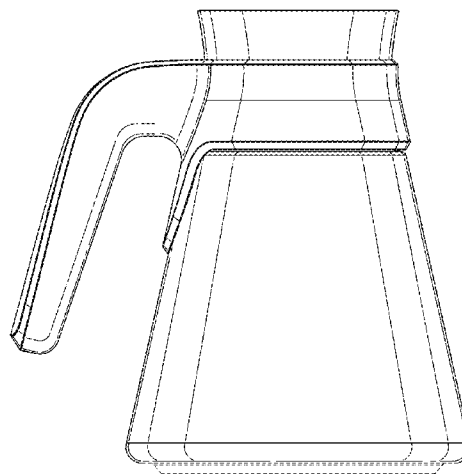
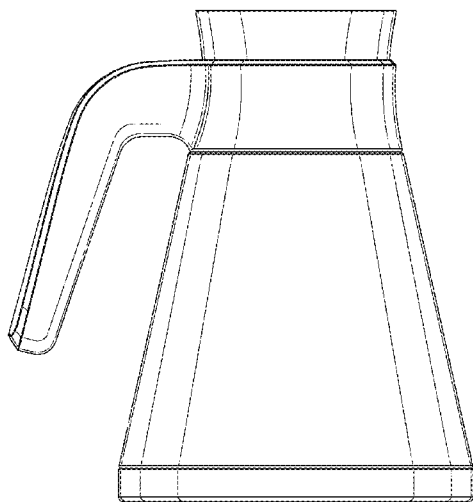
FIG. 14 is a bottom plan view thereof;

FIG. 15 is a left side view thereof; and,

FIG. 16 is a right side view thereof.

The broken lines shown in the figures are included for the purpose of illustration and form no part of the claimed design.

1 Claim, 16 Drawing Sheets



US D753,948 S

Page 2

(56)

References Cited

U.S. PATENT DOCUMENTS

D530,968 S *	10/2006	Bodum	D7/300.1	
D605,455 S *	12/2009	Bodum	D7/318	
D648,592 S *	11/2011	Bodum	D7/317	
D686,034 S *	7/2013	Bodum	D7/318	
D712,188 S *	9/2014	Averty	D7/310	
D719,777 S *	12/2014	Metaxatos et al.	D7/319	
2011/0048241 A1 *	3/2011	Smit	99/288	

* cited by examiner

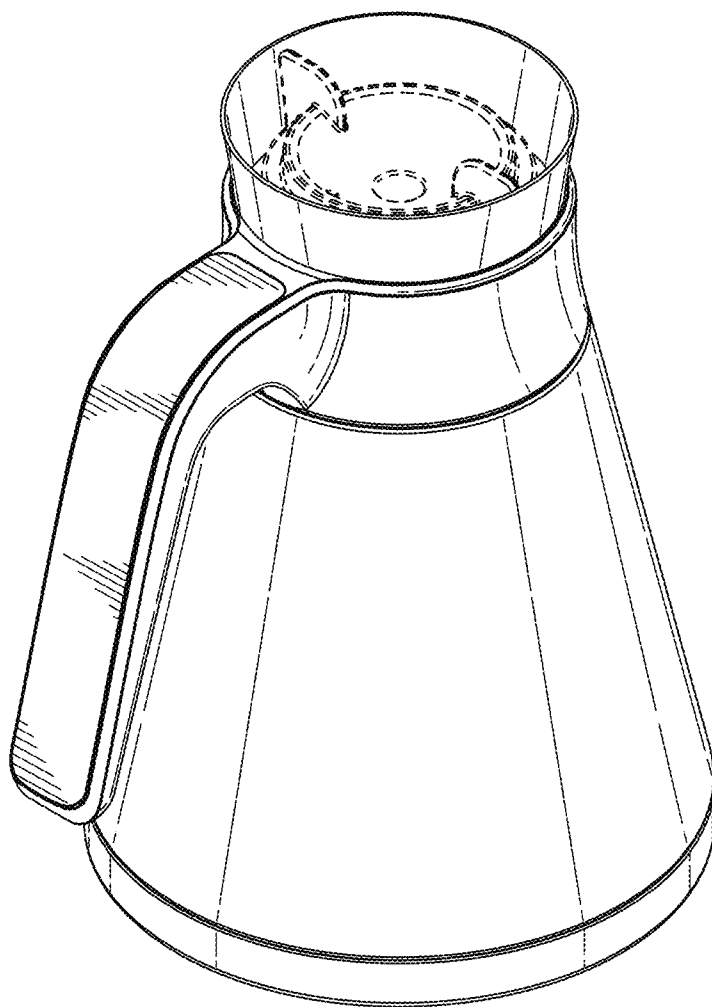


FIG. 1

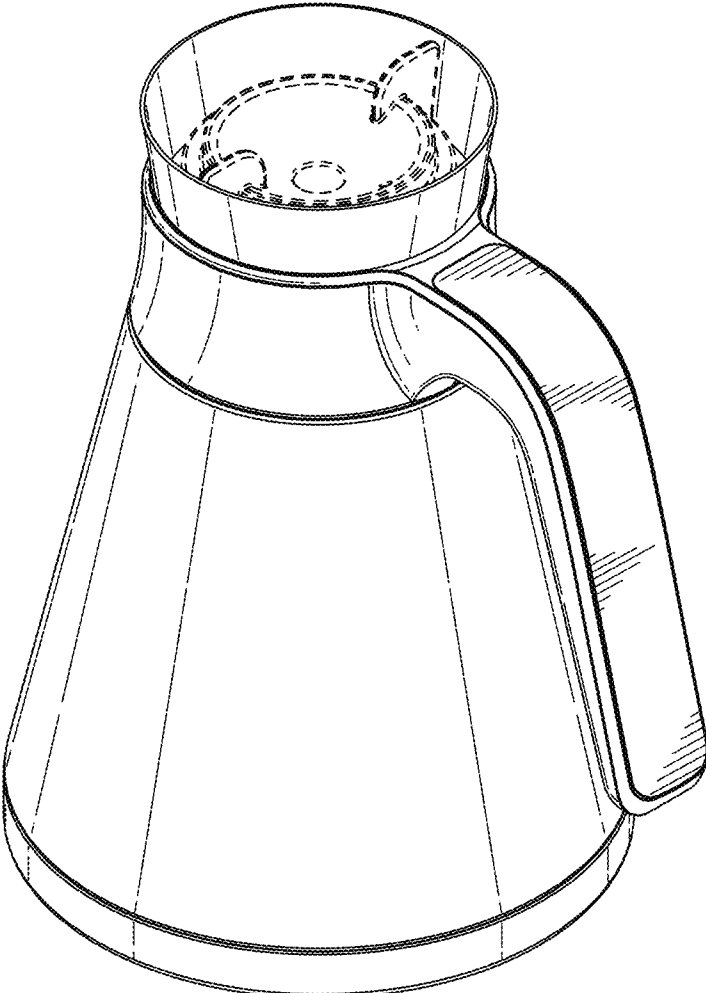


FIG. 2

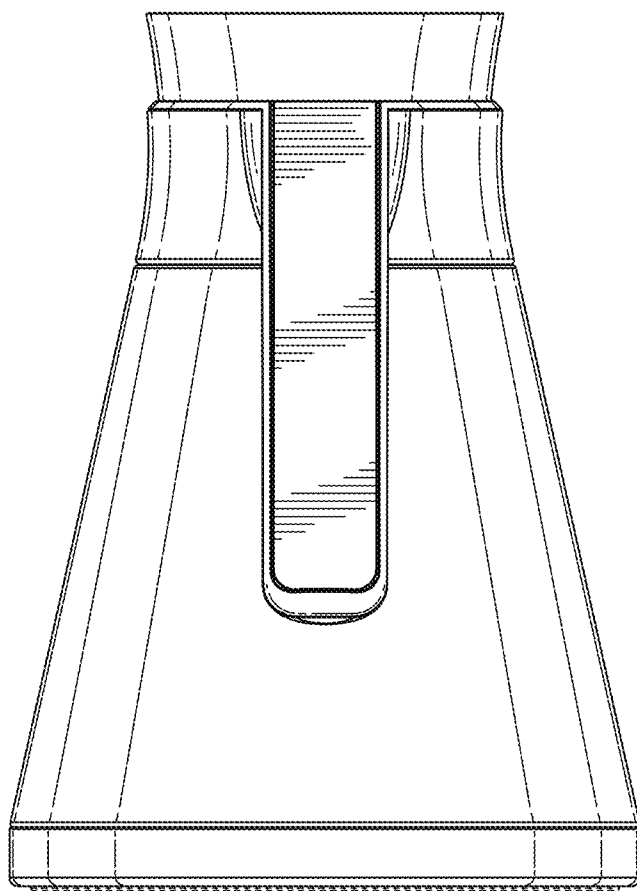


FIG. 3

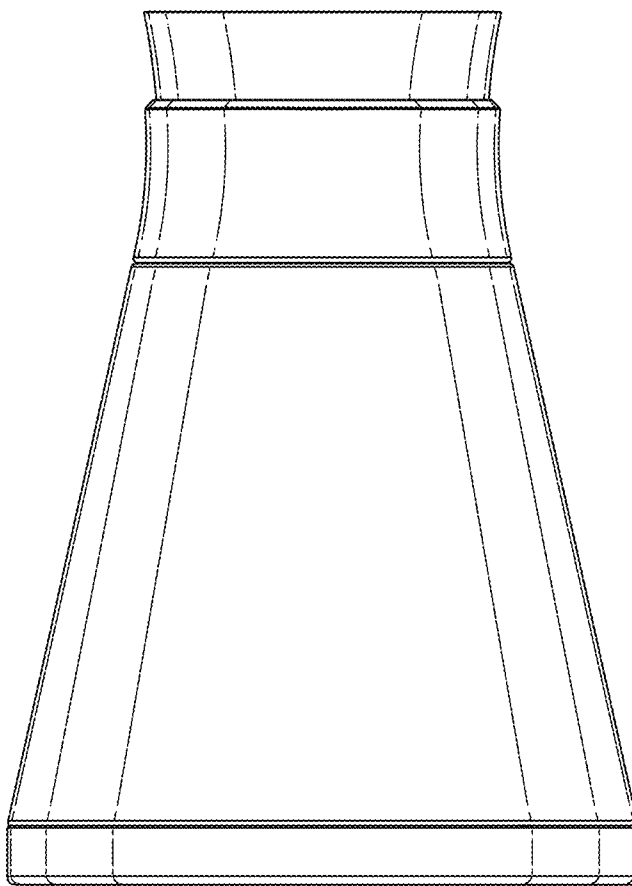


FIG. 4

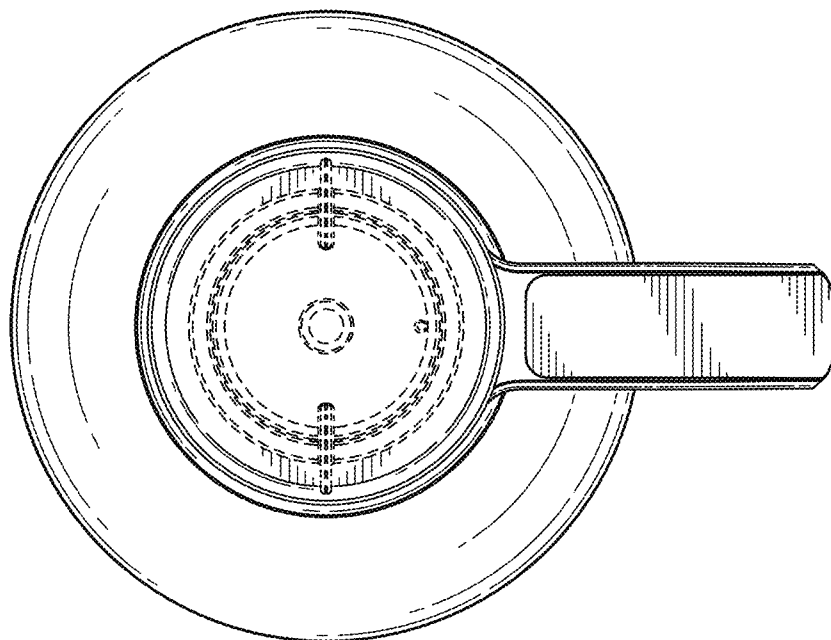


FIG. 5

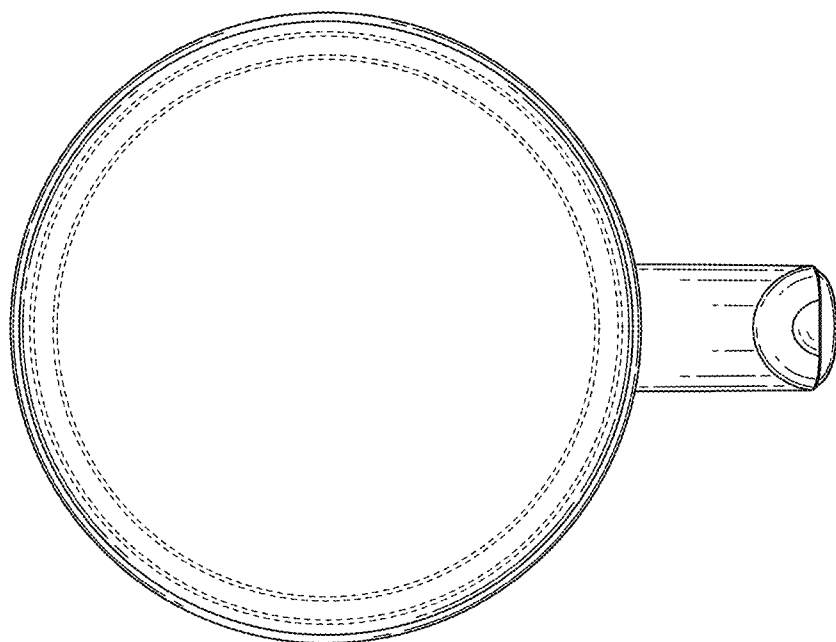


FIG. 6

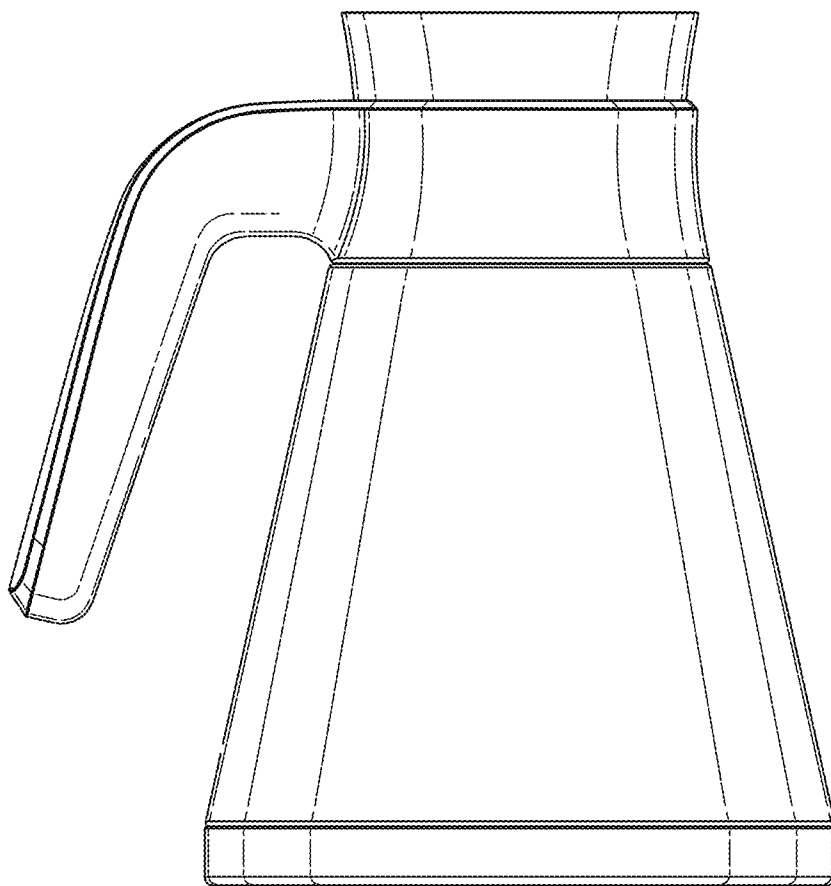


FIG. 7

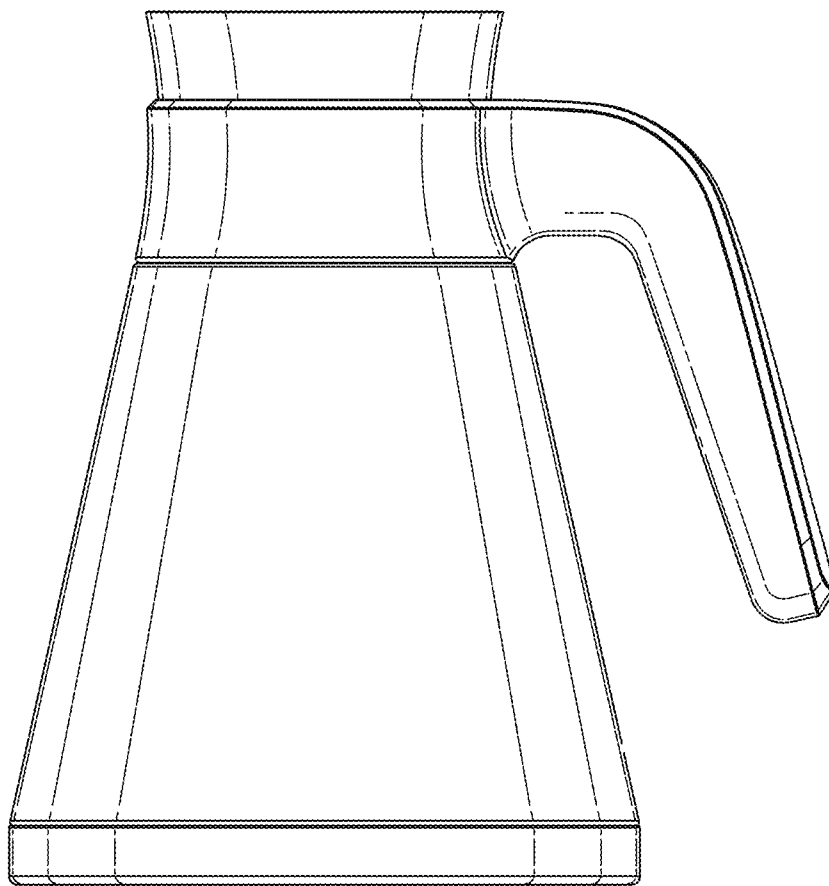


FIG. 8

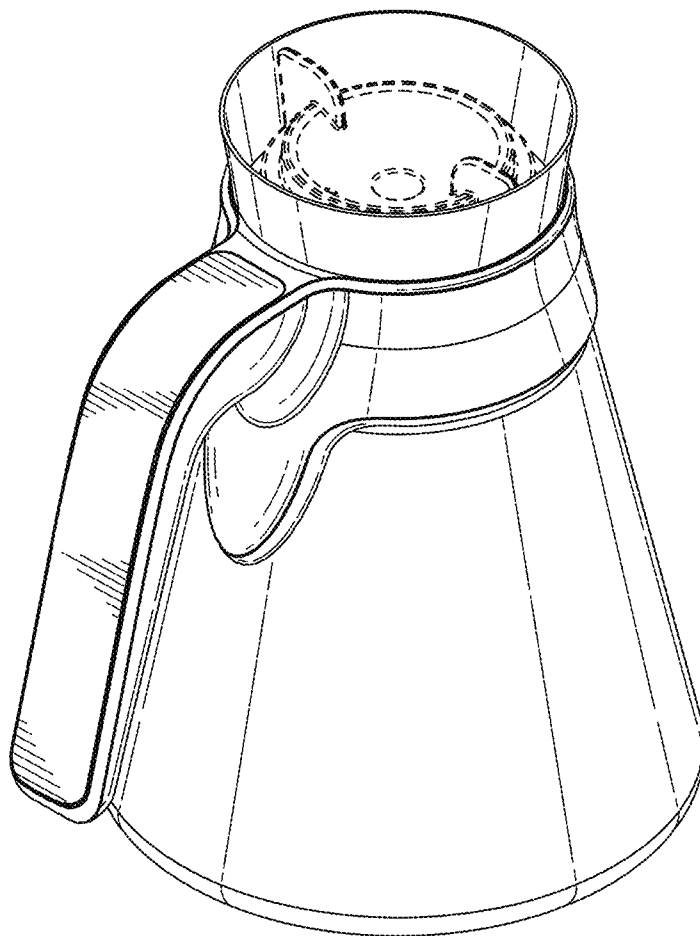


FIG. 9



FIG. 10

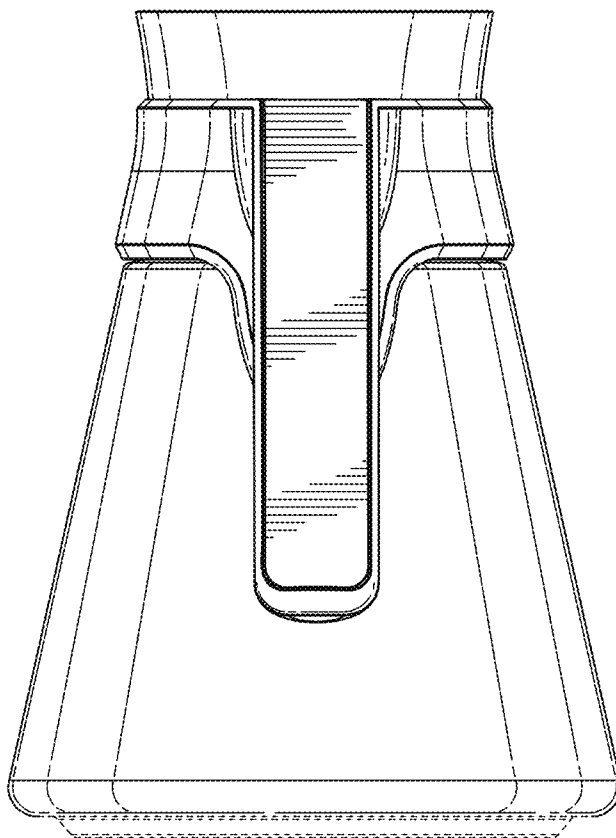


FIG. 11

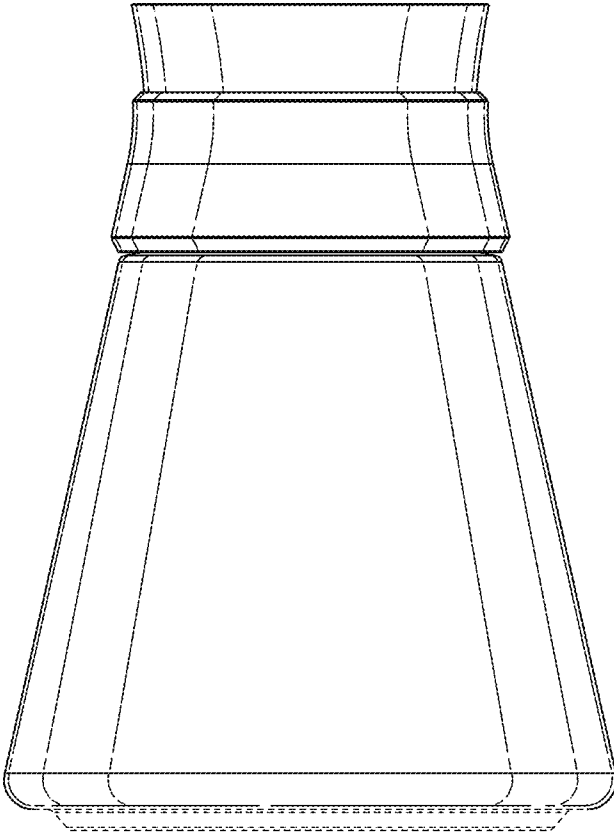


FIG. 12

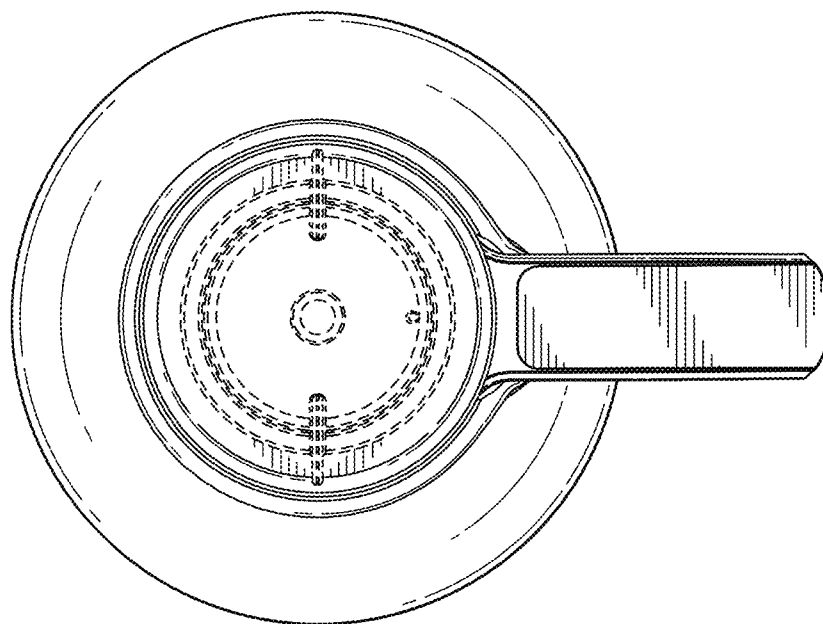


FIG. 13

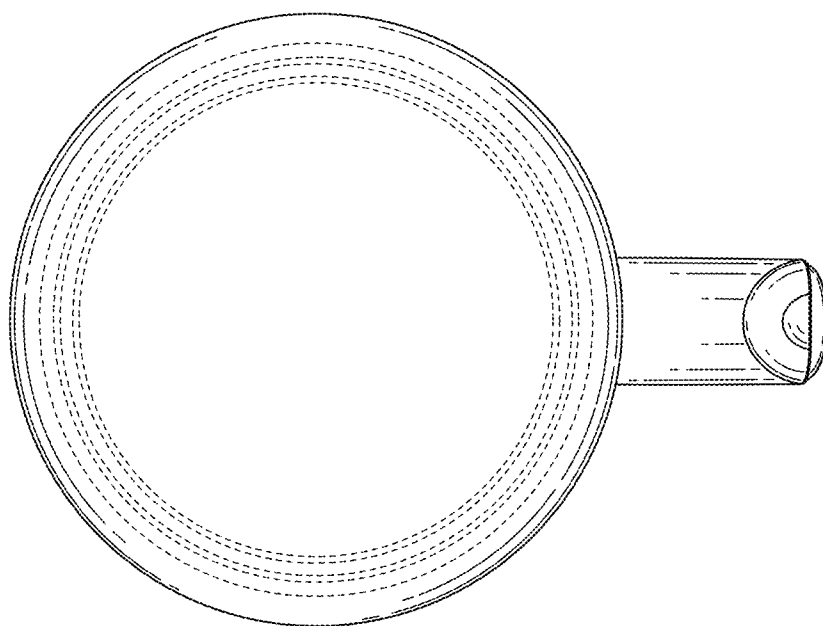


FIG. 14

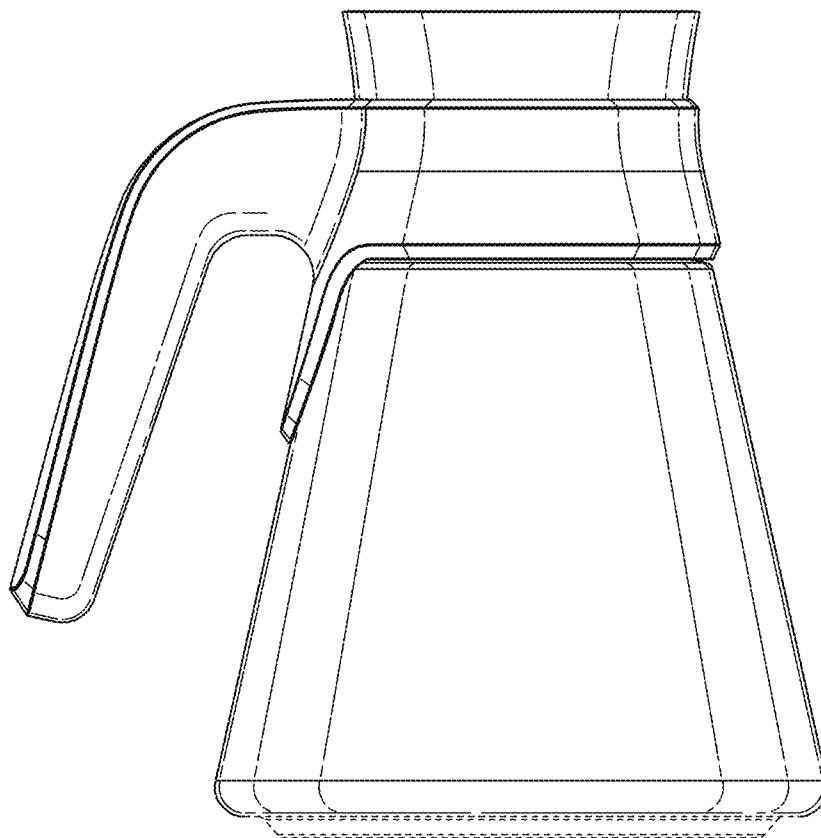


FIG. 15

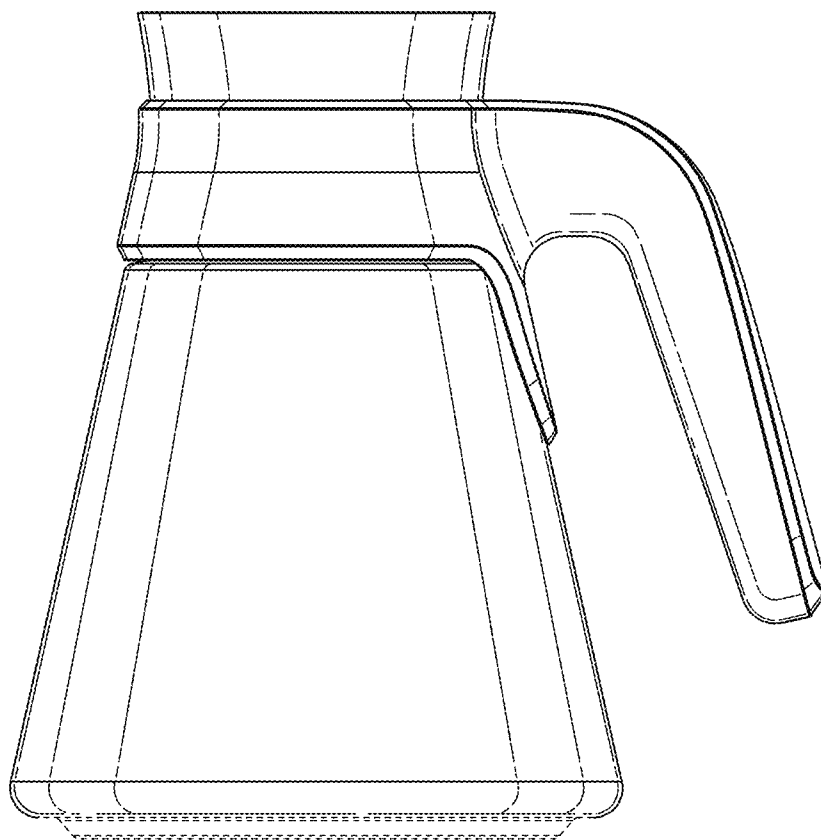


FIG. 16