



US00D832139S

(12) **United States Design Patent**
Rike

(10) **Patent No.:** **US D832,139 S**

(45) **Date of Patent:** **** Oct. 30, 2018**

(54) **TRUCK DUMP BODY**

(71) Applicant: **Palmer Trucks, Inc.**, Indianapolis, IN (US)

(72) Inventor: **James B. Rike**, Indianapolis, IN (US)

(73) Assignee: **PALMER TRUCKS, INC.**, Indianapolis, IN (US)

(**) Term: **14 Years**

(21) Appl. No.: **29/521,559**

(22) Filed: **Mar. 24, 2015**

(51) **LOC (11) Cl.** **08-10**

(52) **U.S. Cl.**
USPC **D12/15**

(58) **Field of Classification Search**
USPC D12/15, 16
CPC B60P 1/28; B60P 1/003; B60P 1/00; B60P 1/4492; B60P 1/36; B60P 1/04
See application file for complete search history.

(56) **References Cited**

U.S. PATENT DOCUMENTS

1,517,697	A *	12/1924	Barrett	B60P 1/28
					296/10
D104,441	S *	5/1937	Cohen	D12/15
D132,903	S *	6/1942	Biszantz	D12/15
2,577,310	A *	12/1951	Connelly	E01C 19/203
					239/657
2,697,609	A *	12/1954	Chase	B60B 39/06
					239/657
D189,025	S *	10/1960	Acker	D12/15
3,010,727	A *	11/1961	Swenson	B60P 1/165
					222/166
3,041,111	A *	6/1962	Wyrick, Jr.	B60P 1/045
					298/1 R

RE25,709	E *	1/1965	Swenson et al.	B60P 1/165
					222/166
3,472,548	A *	10/1969	Comisac	B60H 1/00014
					296/100.05
3,498,486	A *	3/1970	Freeman, Jr.	B60P 1/38
					296/56

(Continued)

Primary Examiner — T Chase Nelson

Assistant Examiner — Ania Aman

(74) *Attorney, Agent, or Firm* — Tucker Ellis LLP; Carlos Garritano

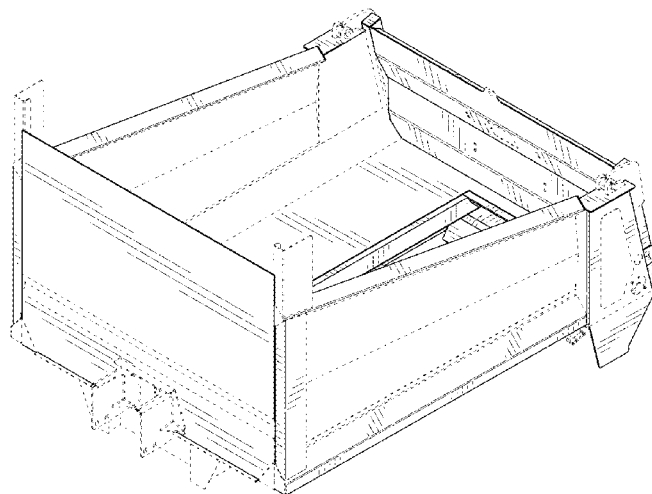
(57) **CLAIM**

The ornamental design for a truck dump body, as shown and described.

DESCRIPTION

FIG. 1 is a top front perspective view of truck dump body showing our new design;
 FIG. 2 is a bottom rear perspective view of the truck dump body illustrated in FIG. 1;
 FIG. 3 is a bottom front perspective view of the truck dump body illustrated in FIG. 1;
 FIG. 4 is a top rear perspective view of the truck dump body illustrated in FIG. 1;
 FIG. 5 is front view of the truck dump body illustrated in FIG. 1;
 FIG. 6 is a rear view of the truck dump body illustrated in FIG. 1;
 FIG. 7 is a left side view of the truck dump body illustrated in FIG. 1;
 FIG. 8 is a right side view of the truck dump body illustrated in FIG. 1;
 FIG. 9 is a top view of the truck dump body illustrated in FIG. 1;
 FIG. 10 is a bottom view of the truck dump body illustrated in FIGS. 1; and,
 FIG. 11 is an in use view of the truck dump body illustrated in FIG. 1.
 In the drawings, the broken lines depict environmental subject matter only that forms no part of the claimed design.

1 Claim, 9 Drawing Sheets



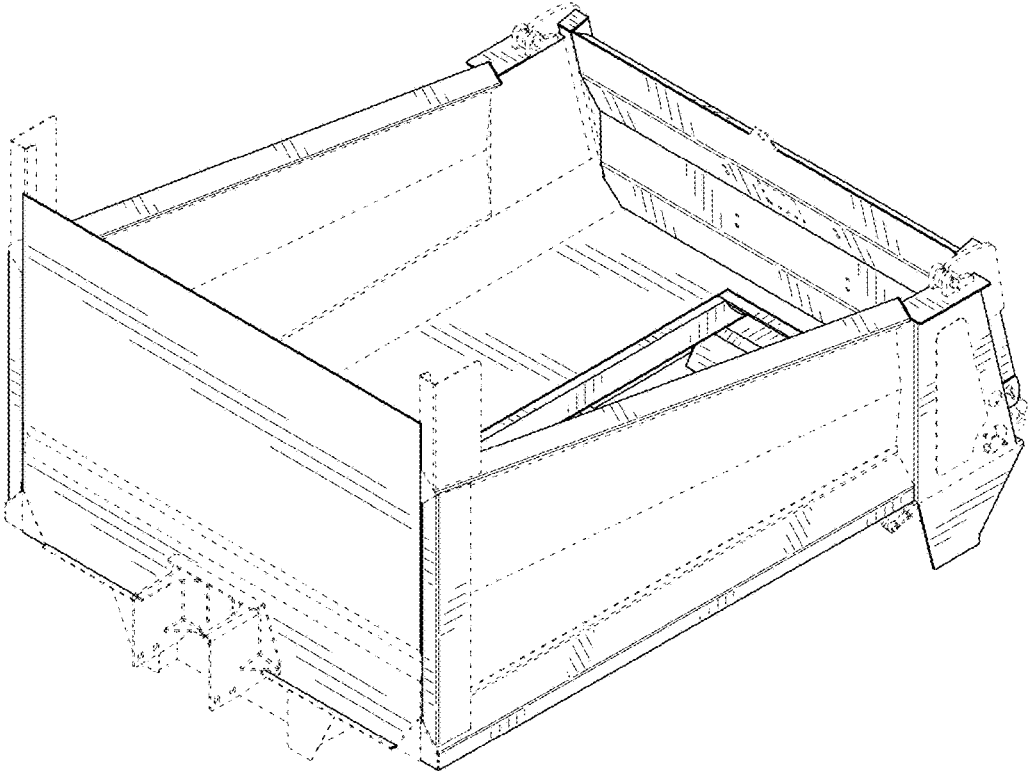


FIG. 1

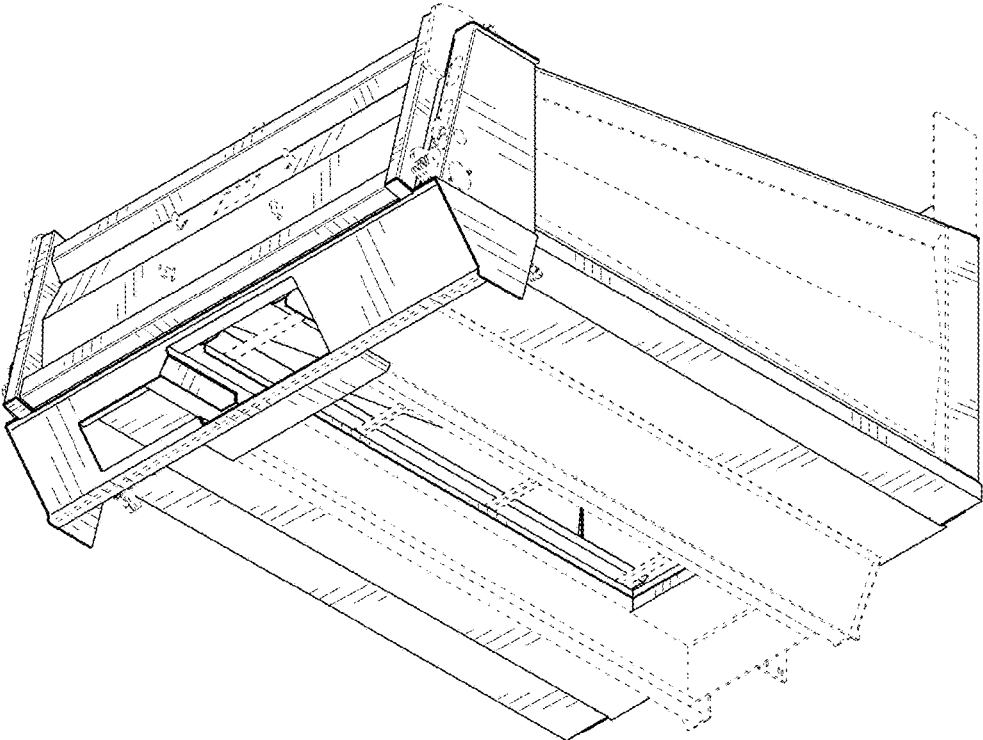


FIG. 2

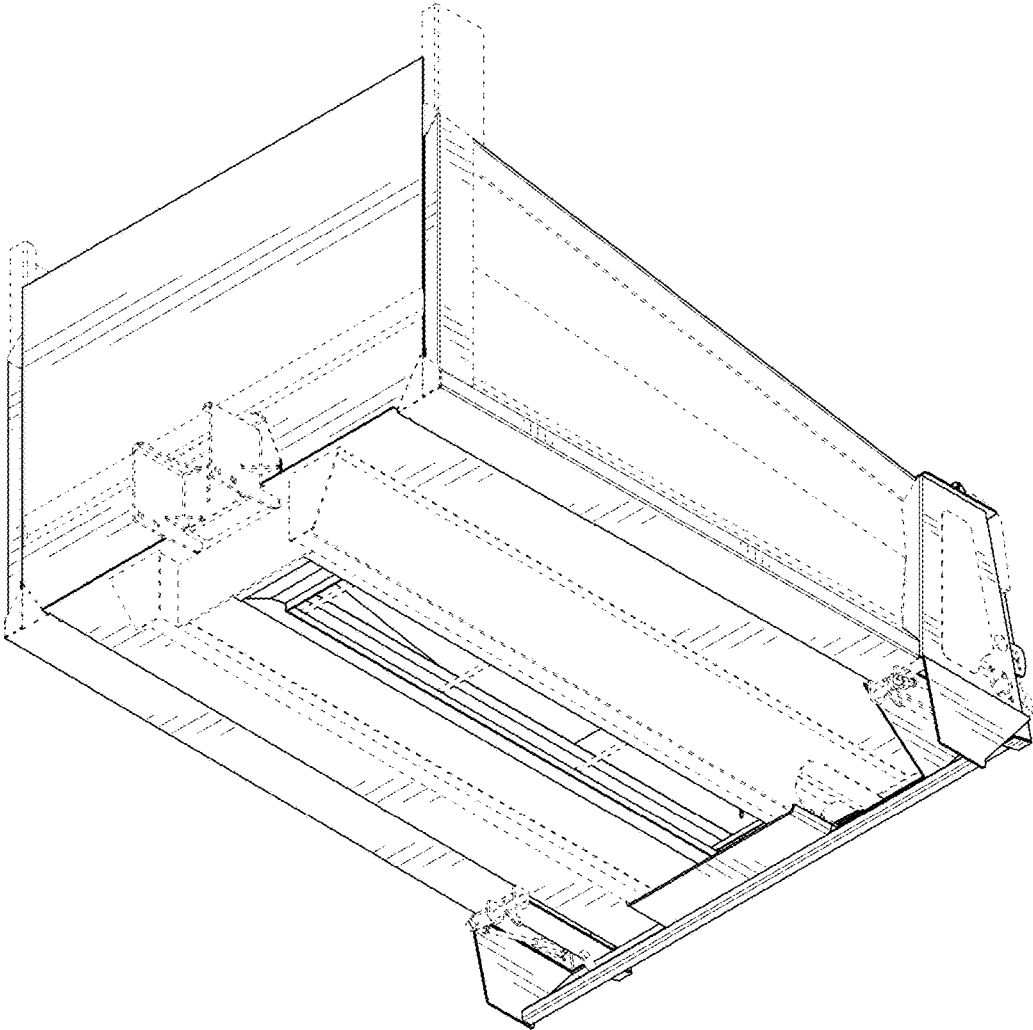


FIG. 3

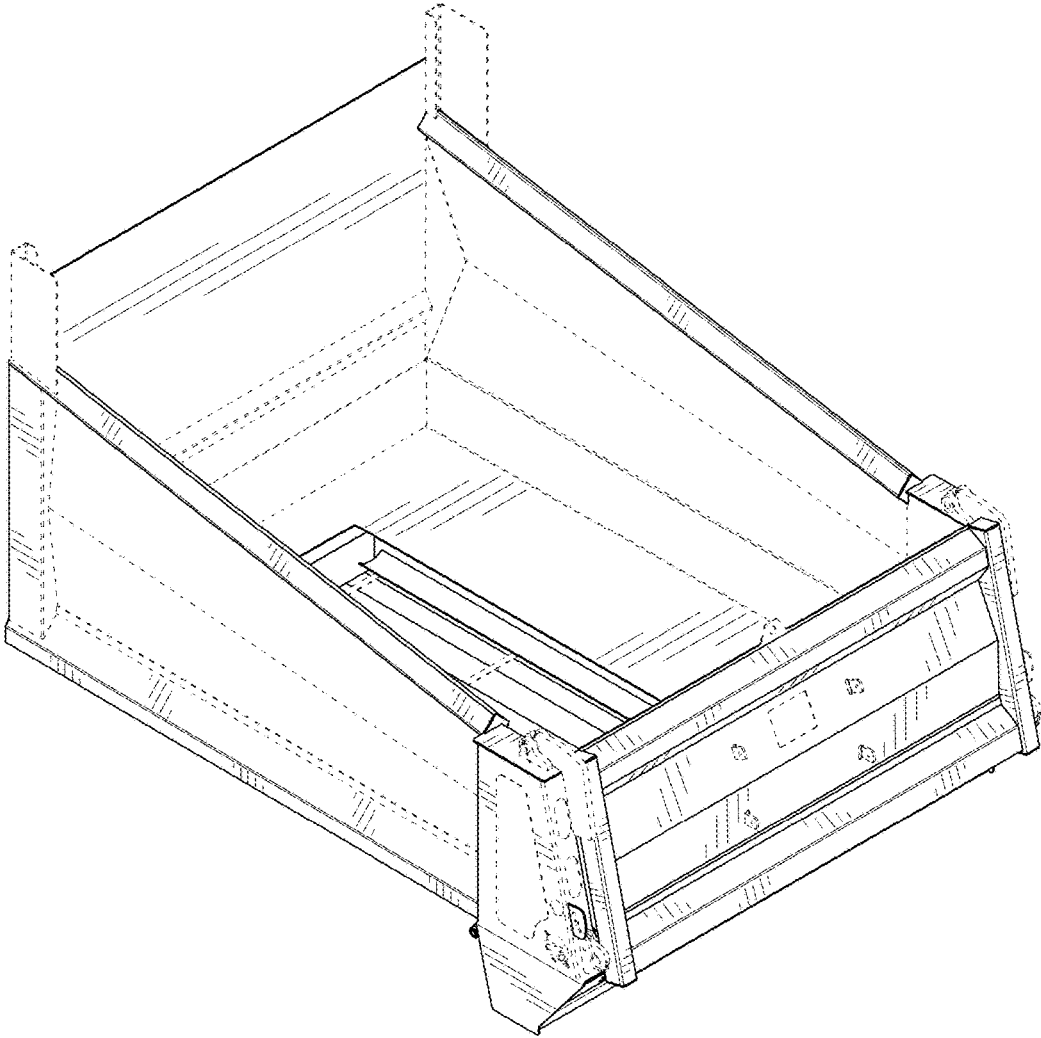


FIG. 4

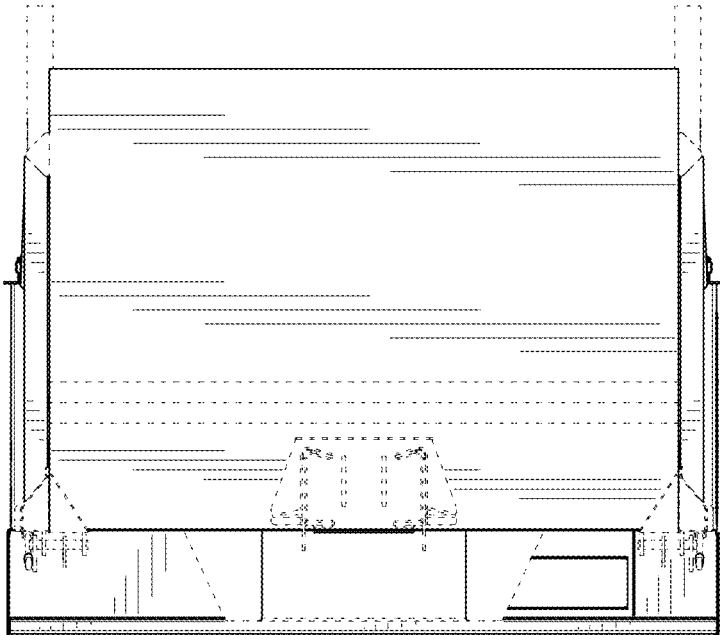


FIG. 5

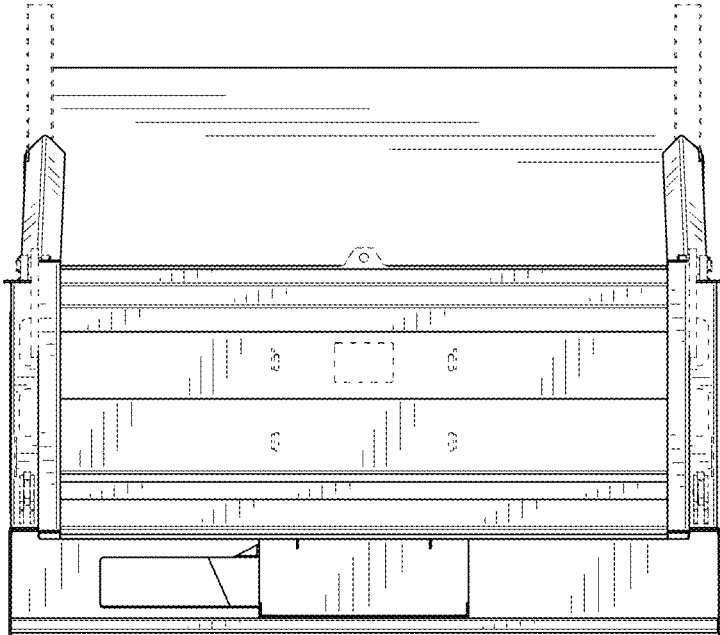


FIG. 6

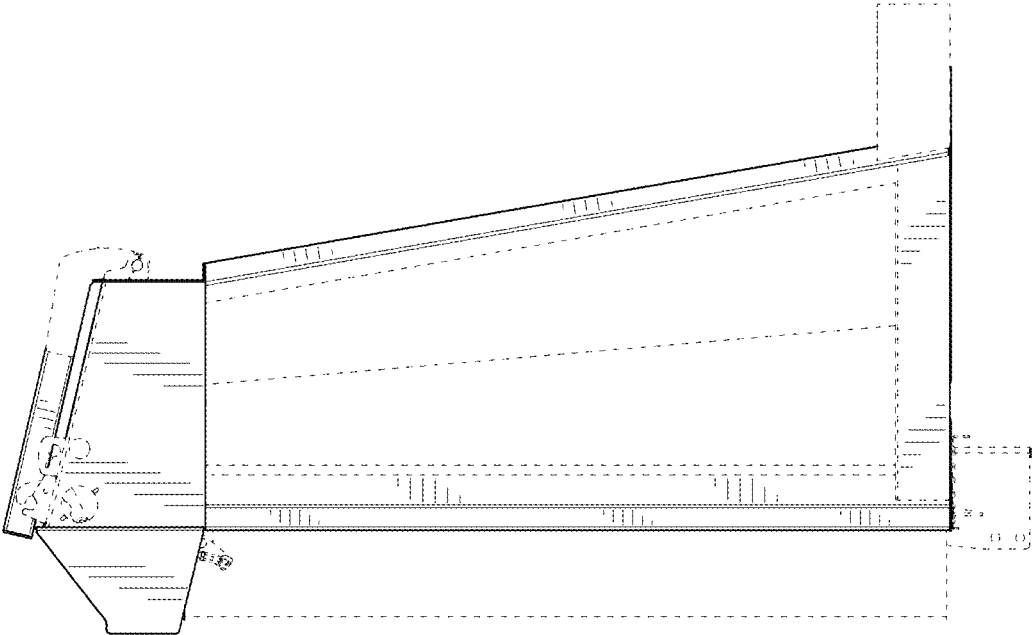


FIG. 7

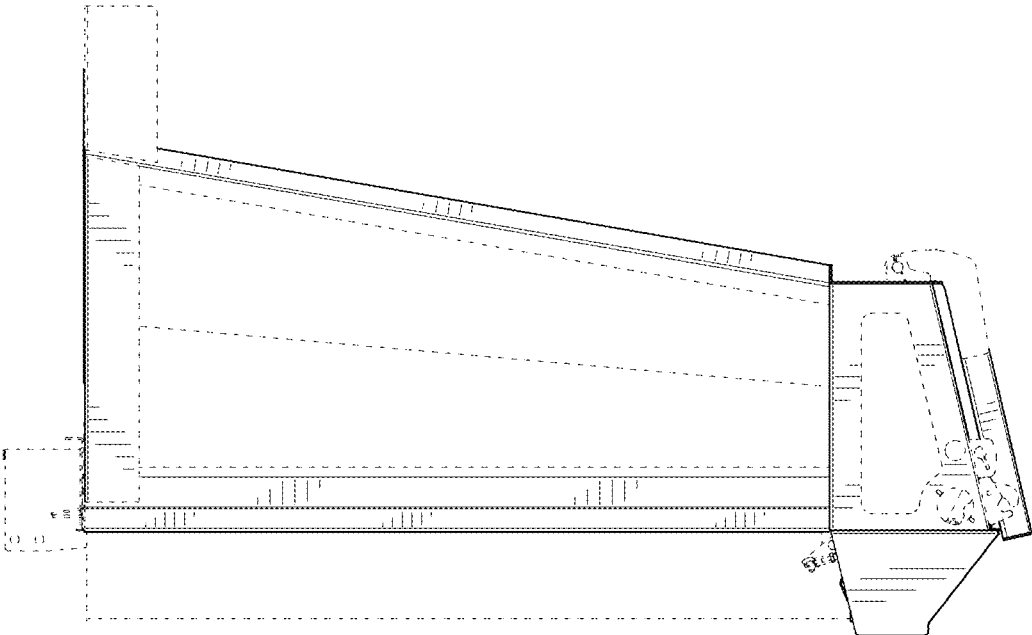


FIG. 8

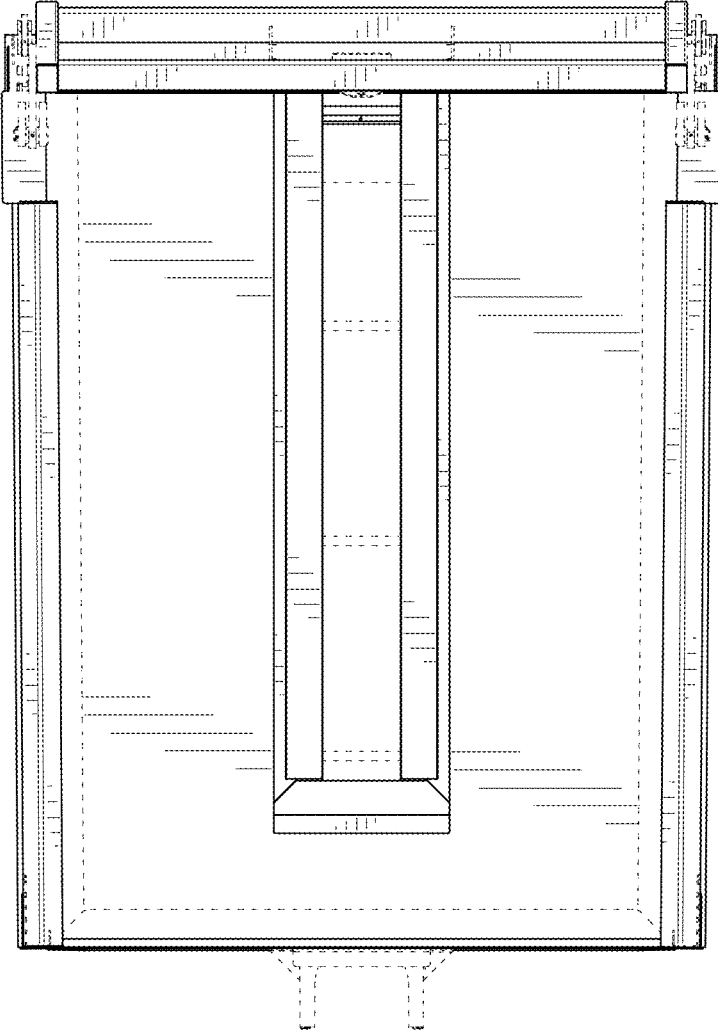


FIG. 9

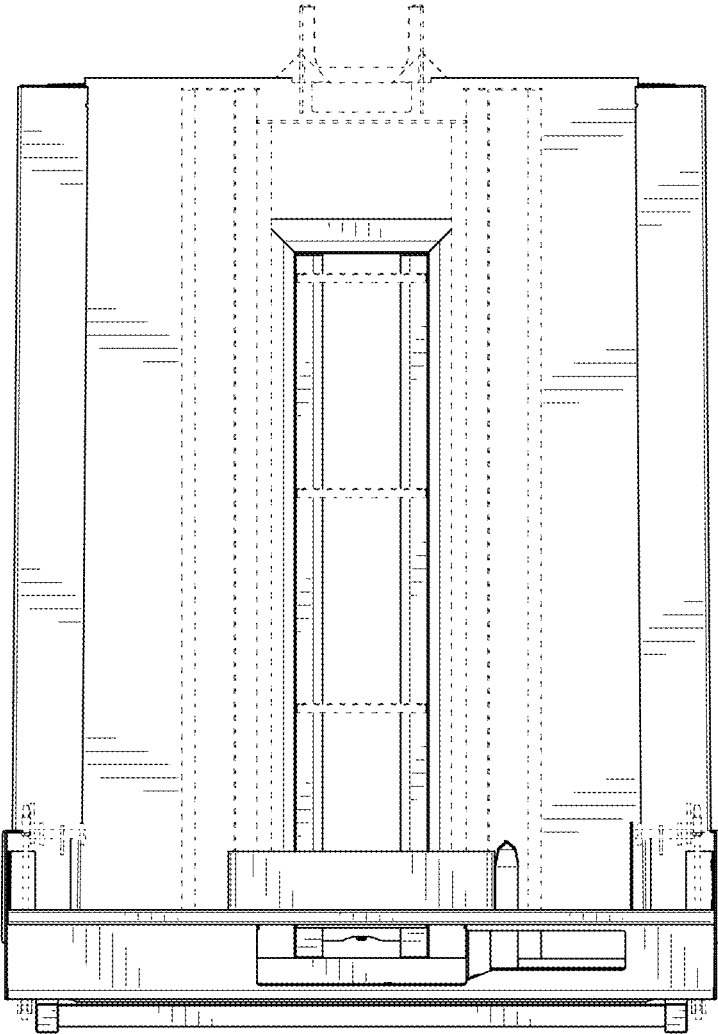


FIG. 10

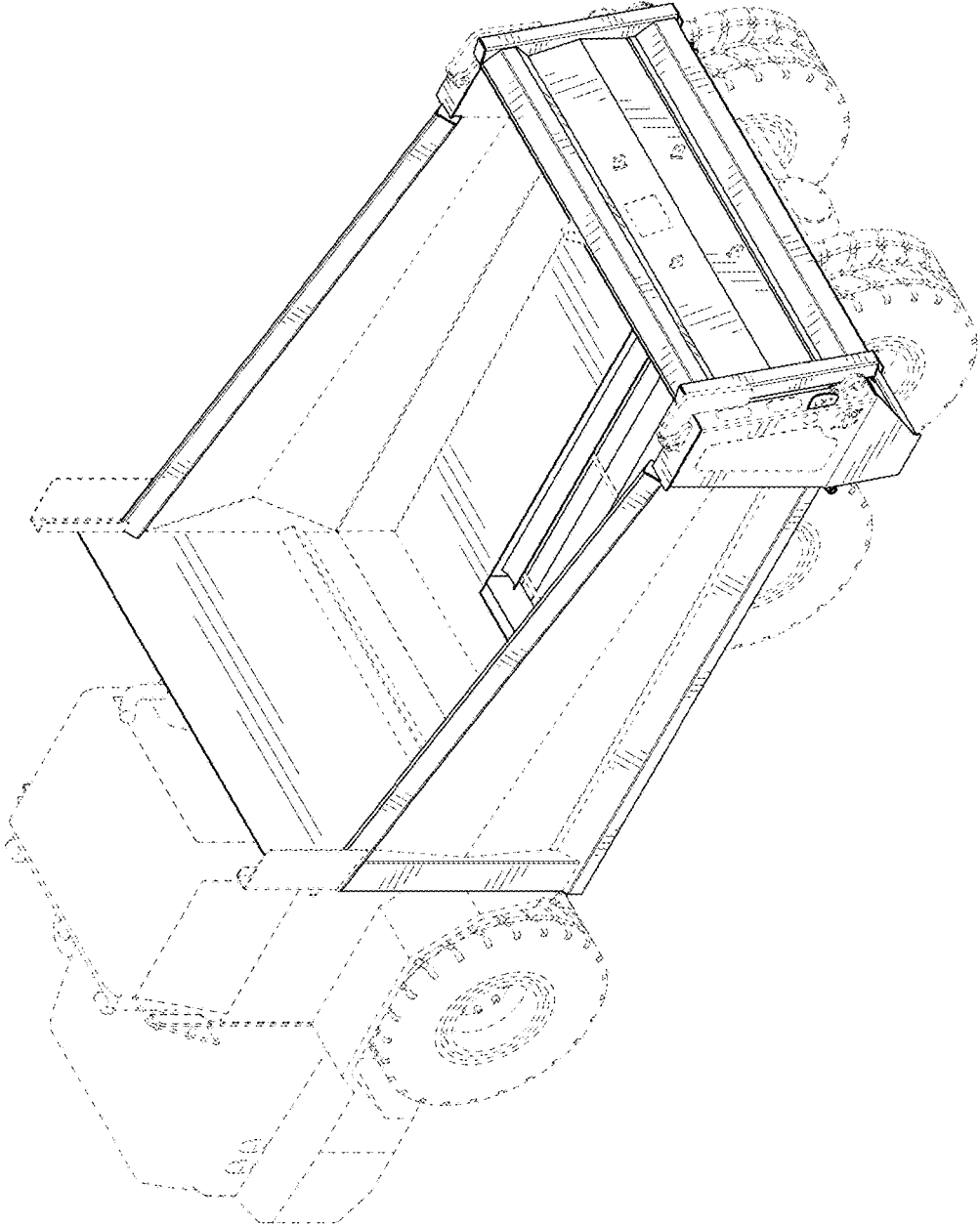


FIG. 11