



US00D903857S

(12) **United States Design Patent** (10) **Patent No.:** **US D903,857 S**  
**Levy** (45) **Date of Patent:** **\*\* Dec. 1, 2020**

(54) **COMPONENT FOR A DRUG DELIVERY DEVICE**

D662,827 S \* 7/2012 Watabe ..... D9/453  
D675,526 S \* 2/2013 Obrist ..... D9/453  
D732,162 S \* 6/2015 Fourt ..... D24/114

(Continued)

(71) Applicant: **Eli Lilly and Company**, Indianapolis, IN (US)

FOREIGN PATENT DOCUMENTS

(72) Inventor: **Kathryn Amanda Levy**, Indianapolis, IN (US)

WO 2016131713 8/2016  
WO 2016142727 9/2016

(Continued)

(73) Assignee: **Eli Lilly and Company**, Indianapolis, IN (US)

OTHER PUBLICATIONS

(\*\*) Term: **15 Years**

Design U.S. Appl. No. 29/661,609, filed Aug. 29, 2018 entitled "Component for a Drug Delivery Device" consisting of a 5-page Specification and 24 Pages of Figures.

(Continued)

(21) Appl. No.: **29/661,604**

(22) Filed: **Aug. 29, 2018**

*Primary Examiner* — David G Muller

(51) **LOC (12) Cl.** ..... **24-02**

(74) *Attorney, Agent, or Firm* — M Daniel Spillman

(52) **U.S. Cl.**

USPC ..... **D24/113**

(58) **Field of Classification Search**

(57) **CLAIM**

USPC ..... D24/112–114, 108, 130, 127, 133, 186;  
606/181, 185; 604/264, 523–528, 272,  
604/164.01–164.11, 187, 93.01; 600/101,  
600/139, 143; 128/200.24, 207.14,  
128/207.15; D9/772, 773, 774, 549, 556,  
D9/452, 453

The ornamental design for a component for a drug delivery device, as shown and described.

**DESCRIPTION**

CPC .. A61M 25/065; A61M 5/42; A61M 25/0612;  
A61M 25/00; A61M 39/00; A61M 27/00;  
A61M 25/0043; A61M 25/0067; A61M  
25/0097; A61F 2/958

FIG. 1 is a front, top perspective view of a first embodiment of a component for a drug delivery device, showing the new design;

FIG. 2 is a front elevation view thereof;

FIG. 3 is a rear elevation view thereof;

FIG. 4 is a left side elevation view thereof;

FIG. 5 is a right side elevation view thereof;

FIG. 6 is a top plan view thereof;

FIG. 7 is a bottom plan view thereof; and,

FIG. 8 is a front, bottom perspective view.

The broken lines of uneven length shown in the drawings illustrate the boundary of the claimed design and forms no part thereof. Contrast in materials is shown by line shading in some areas and stipple shading in other areas.

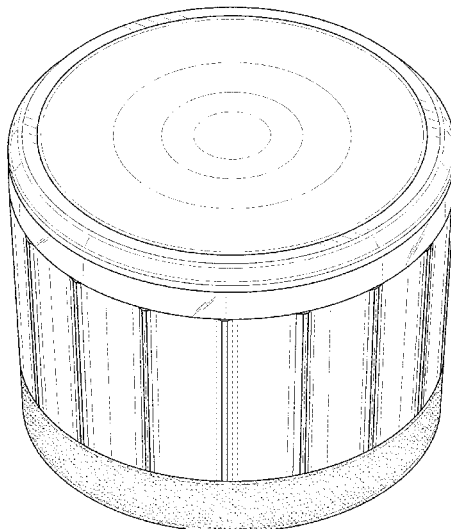
See application file for complete search history.

(56) **References Cited**

U.S. PATENT DOCUMENTS

D480,007 S \* 9/2003 Mungur ..... D9/538  
D496,101 S \* 9/2004 Davison ..... D24/112  
D535,189 S \* 1/2007 Pitman ..... D9/452  
D562,144 S \* 2/2008 Lane ..... D9/556  
D581,279 S \* 11/2008 Oates ..... D28/76  
D606,401 S \* 12/2009 Kamath ..... D9/453  
D628,077 S \* 11/2010 Lee ..... D9/439

**1 Claim, 8 Drawing Sheets**



(56)

**References Cited**

U.S. PATENT DOCUMENTS

D797,929 S \* 9/2017 Davis ..... D24/130  
D802,760 S \* 11/2017 Neby ..... D24/130  
D853,240 S \* 7/2019 Steel ..... D9/500

FOREIGN PATENT DOCUMENTS

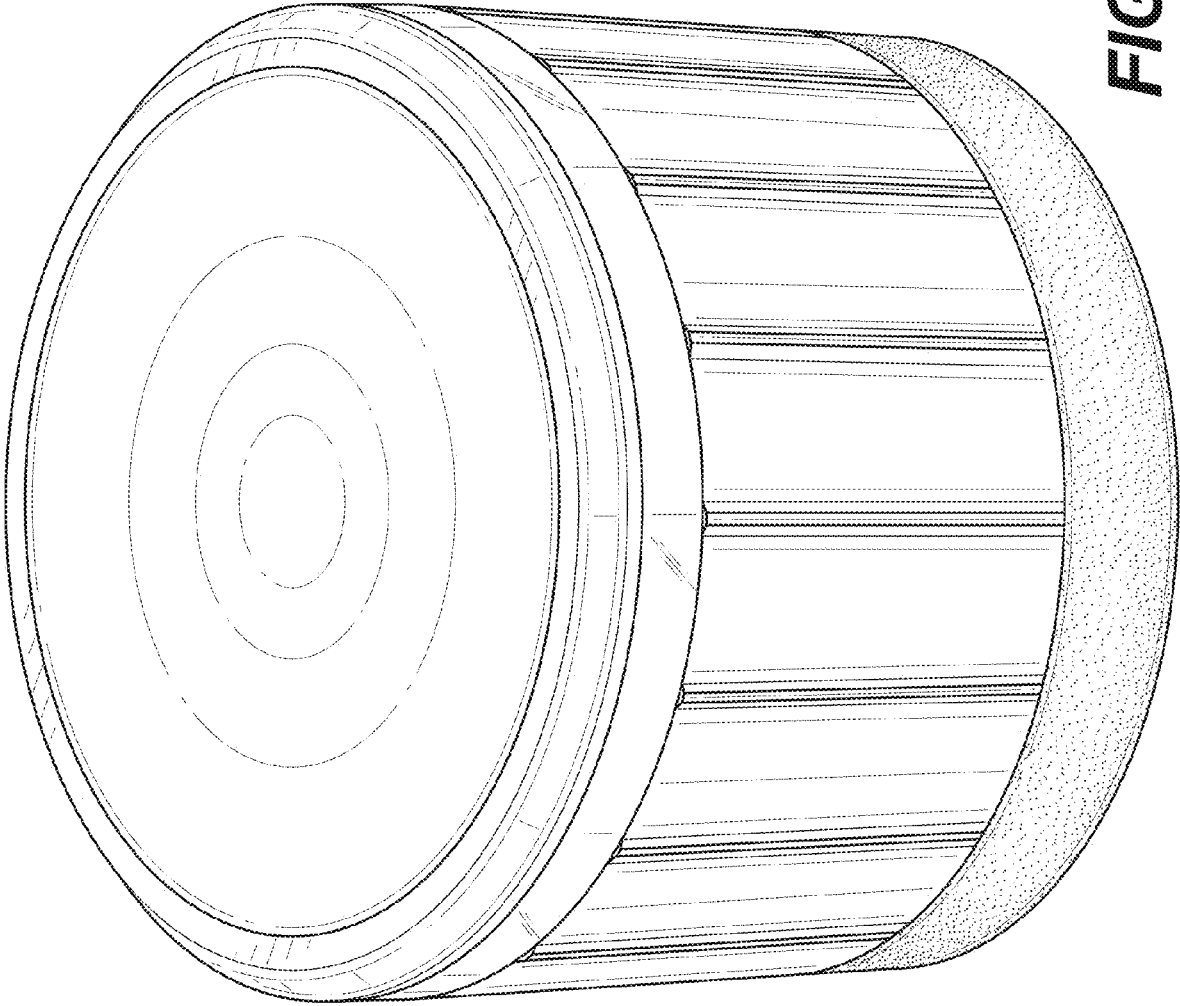
WO	2016193229	12/2016
WO	2016198516	12/2016
WO	2017032586	3/2017
WO	2018013419	1/2018
WO	2018160425	9/2018
WO	2019036576	2/2019
WO	2019040117	2/2019
WO	2019040118	2/2019
WO	2019040313	2/2019
WO	2019164955	8/2019

OTHER PUBLICATIONS

Design U.S. Appl. No. 29/661,620, filed Aug. 29, 2018 entitled "Drug Delivery Device" consisting of a 4-page Specification and 25 Pages of Figures.

Design U.S. Appl. No. 29/661,625, filed Aug. 29, 2018 entitled "Component for a Drug Delivery Device" consisting of a 3-page Specification and 5 Pages of Figures.

\* cited by examiner



**FIG. 1**

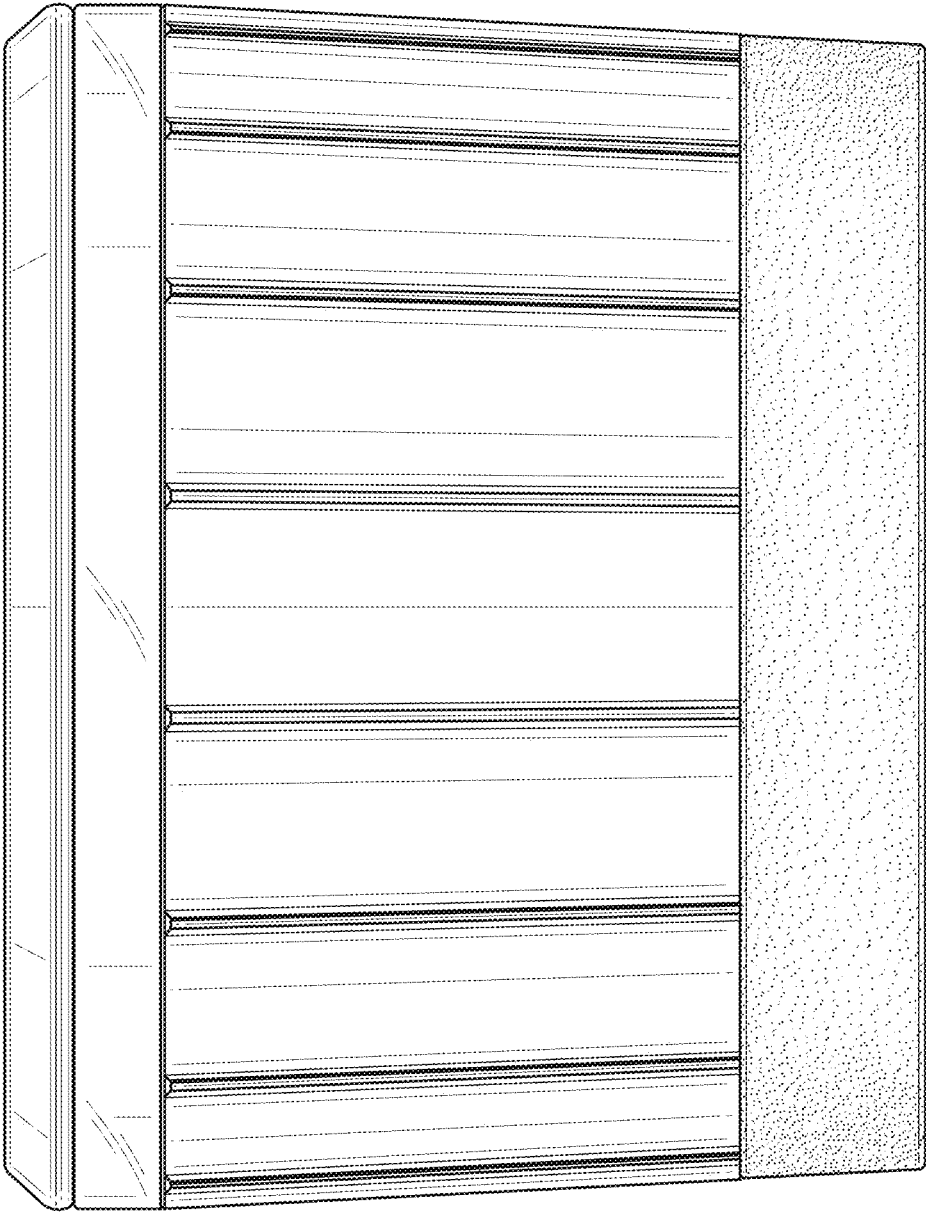
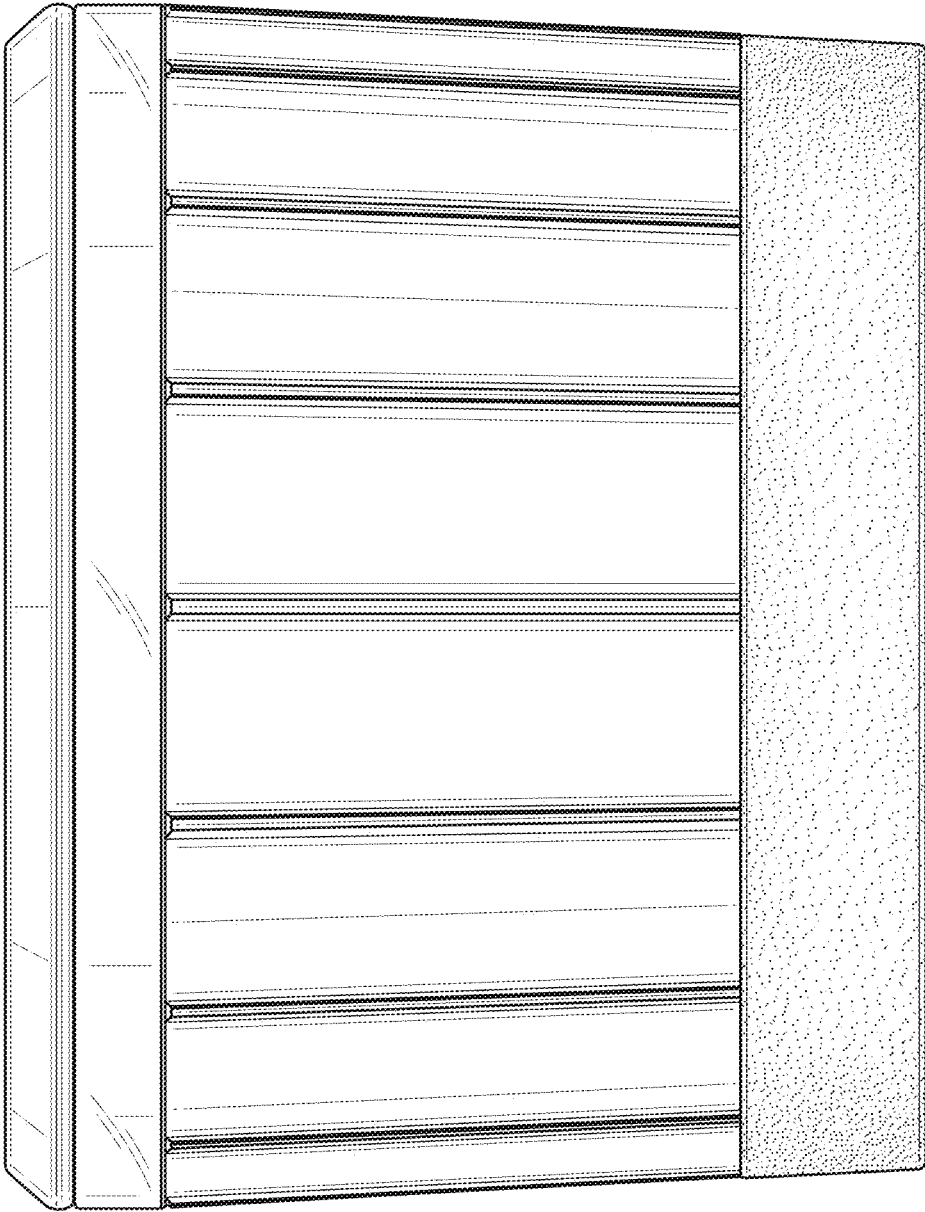
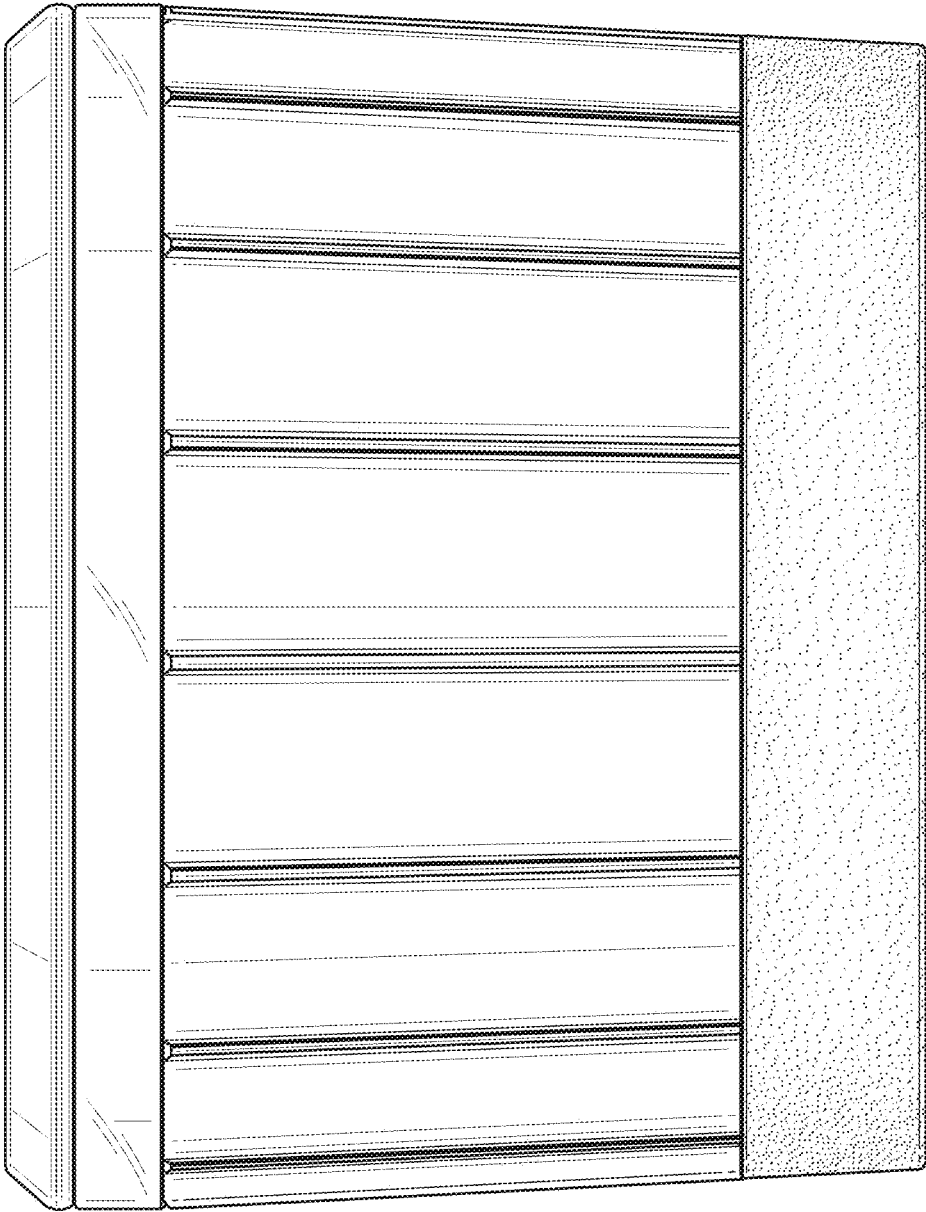


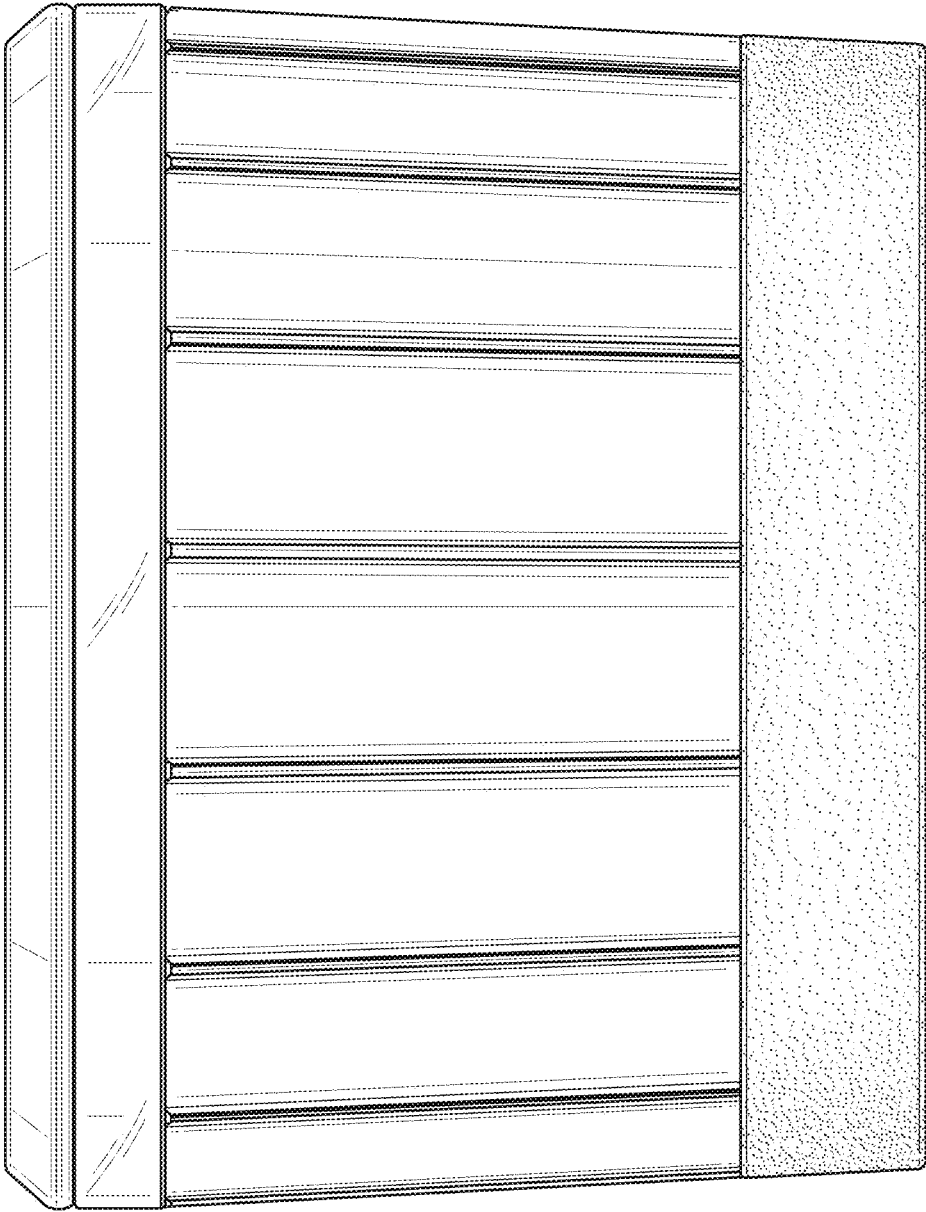
FIG. 2



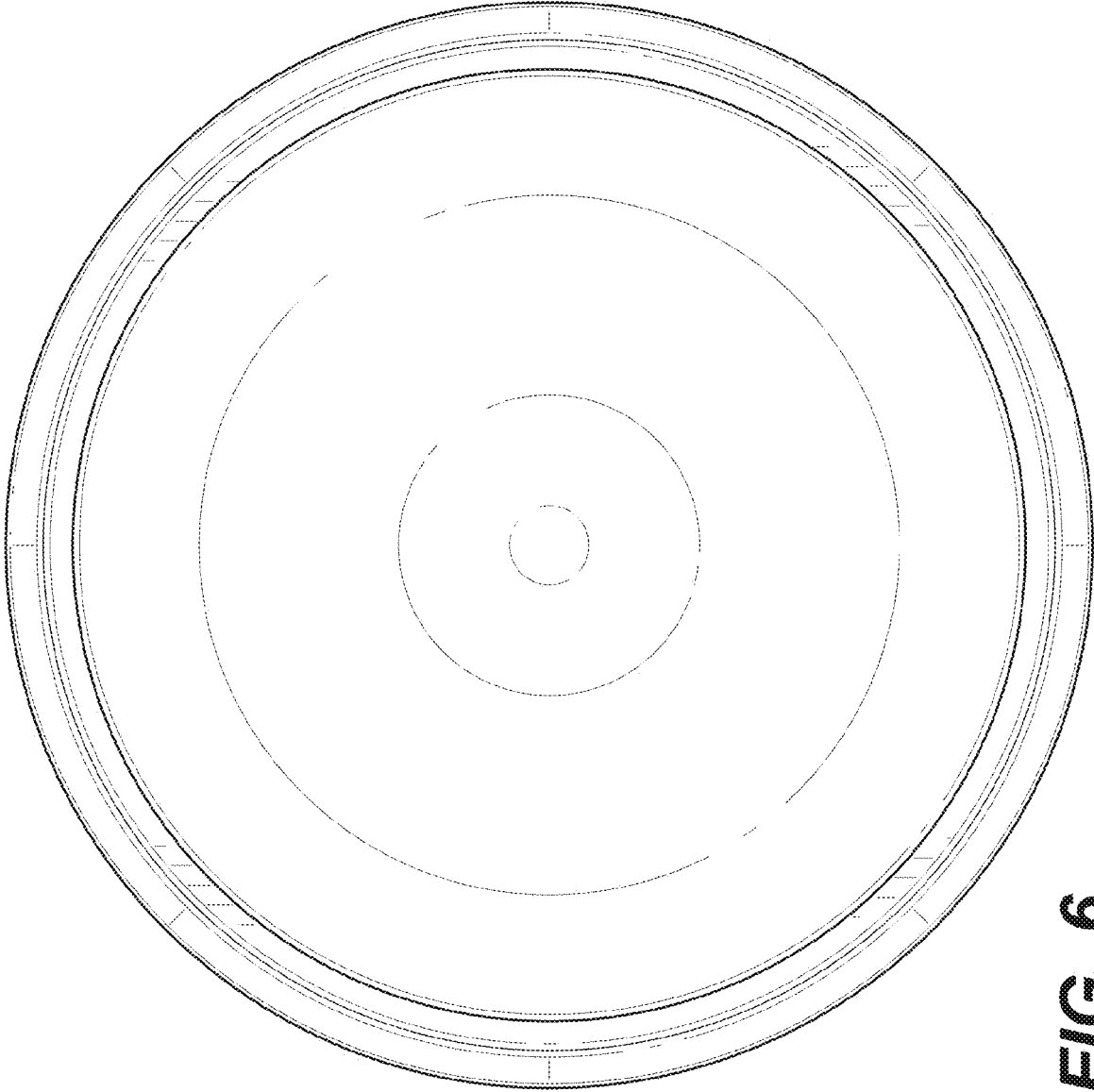
**FIG. 3**



**FIG. 4**

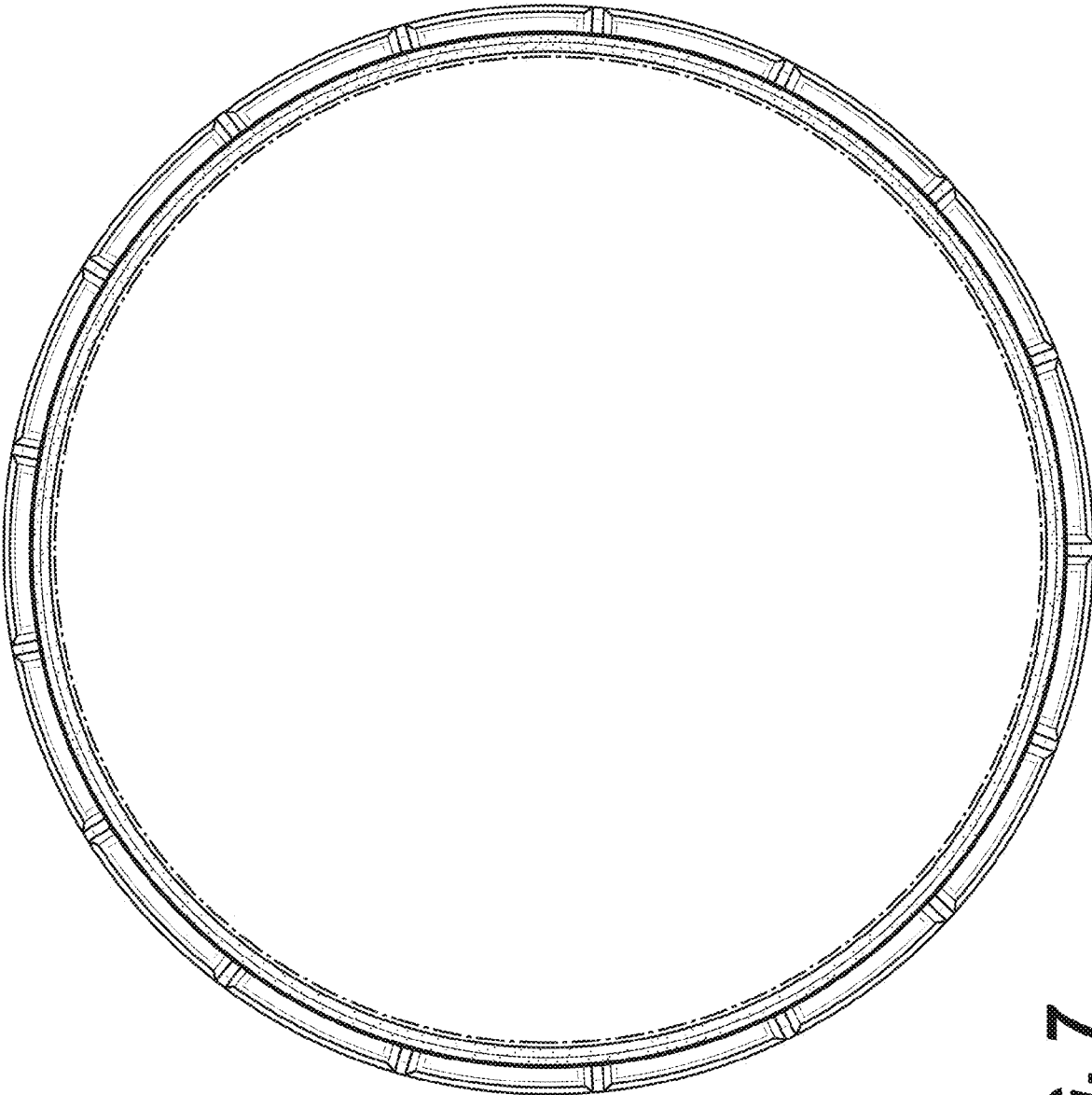


**FIG. 5**

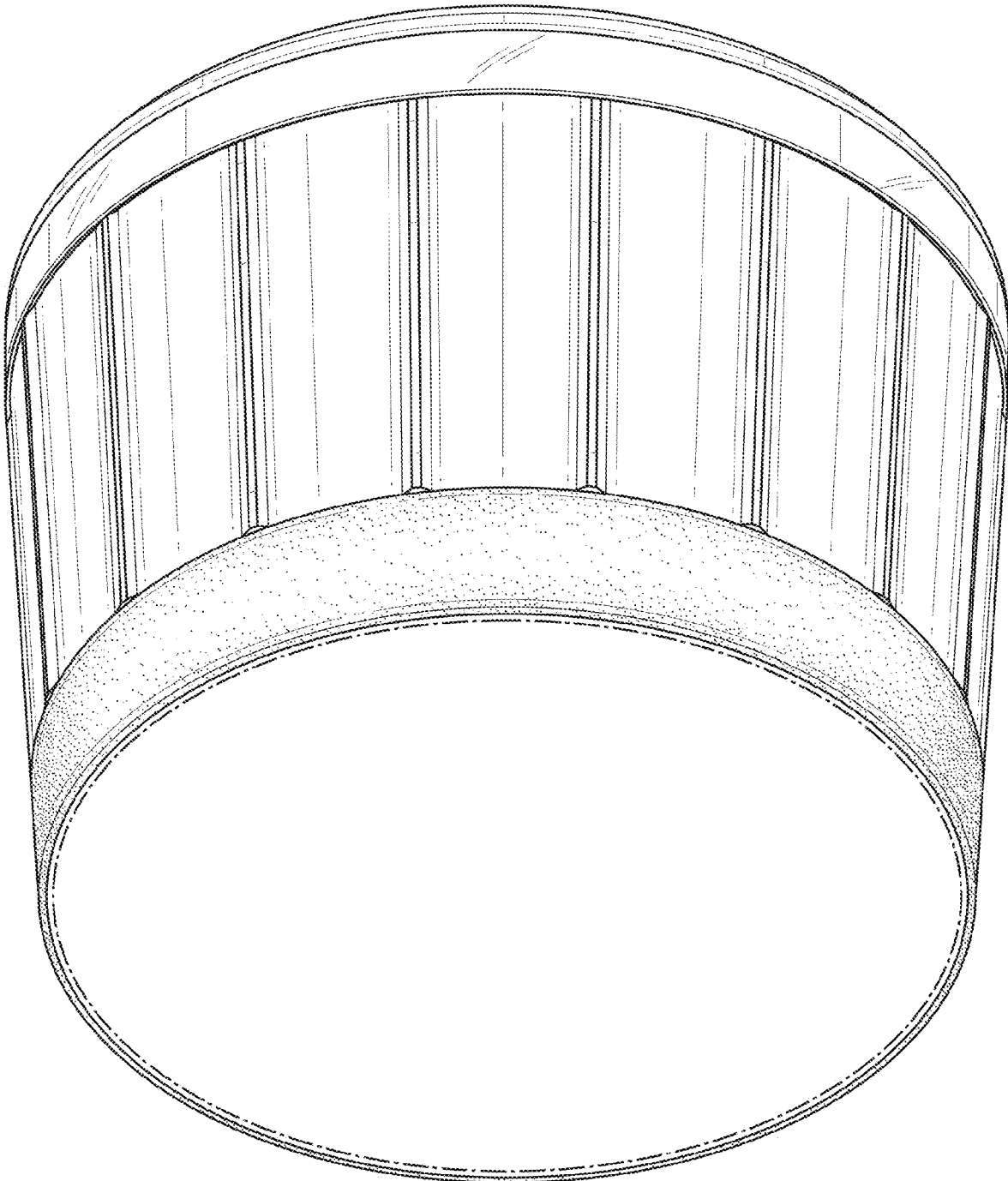


**FIG. 6**





**FIG. 7**



**FIG. 8**