



US00D865987S

(12) **United States Design Patent**
Jacobs

(10) **Patent No.:** **US D865,987 S**

(45) **Date of Patent:** **** Nov. 5, 2019**

- (54) **MYOFASCIAL RELEASE TOOL**
- (71) Applicant: **Joseph Jacobs**, Aliso Viejo, CA (US)
- (72) Inventor: **Joseph Jacobs**, Aliso Viejo, CA (US)
- (**) Term: **15 Years**
- (21) Appl. No.: **29/658,749**
- (22) Filed: **Aug. 2, 2018**
- (51) **LOC (12) Cl.** **28-03**
- (52) **U.S. Cl.**
USPC **D24/214**
- (58) **Field of Classification Search**
USPC 601/15, 18, 19, 46, 47, 48, 52, 99, 112,
601/113, 118, 125, 129, 134, 135, 137,
601/DIG. 12, DIG. 14, DIG. 15, DIG. 16,
601/DIG. 17; D24/133, 200, 211, 212,
D24/213, 214, 215; 600/38, 39, 40, 41;
D30/160
CPC A61H 7/007; A61H 39/04; A61H
2015/0028; A61H 23/00
See application file for complete search history.

5,843,005 A	12/1998	Chubinsky	
8,556,838 B2	10/2013	Moutray	
D827,147 S *	8/2018	Jacobs D24/214
D843,002 S *	3/2019	Yarborough D24/211
D844,796 S *	4/2019	Wise D24/211
D845,499 S *	4/2019	Wersland D24/211
2006/0247562 A1 *	11/2006	Emmel A61H 7/007 601/135
2012/0059405 A1	3/2012	Reynolds	
2017/0273850 A1 *	9/2017	Wise A61H 7/001

* cited by examiner

Primary Examiner — Cynthia Ramirez
Assistant Examiner — Michael A Maharajh
 (74) *Attorney, Agent, or Firm* — Eric Karich; Karich & Associates

(57) **CLAIM**

The ornamental design for a myofascial release tool, as shown and described.

DESCRIPTION

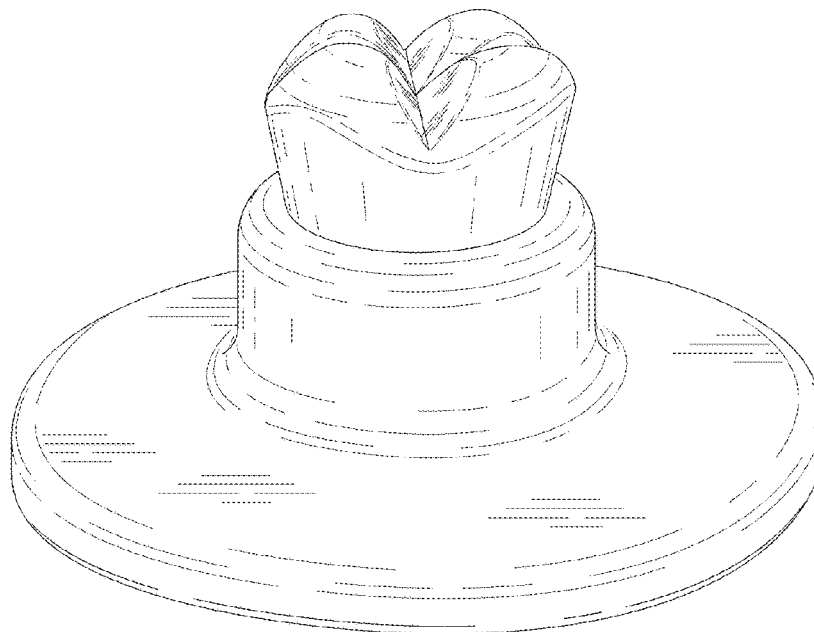
FIG. 1 is a perspective view of a myofascial release tool, showing my new design;
 FIG. 2 is a front elevational view thereof;
 FIG. 3 is a rear elevational view thereof;
 FIG. 4 is a left side elevational view thereof;
 FIG. 5 is a right side elevational view thereof;
 FIG. 6 is a top plan view thereof; and,
 FIG. 7 is a bottom plan view thereof.

1 Claim, 5 Drawing Sheets

(56) **References Cited**

U.S. PATENT DOCUMENTS

D373,195 S *	8/1996	Hoff D24/211
5,624,385 A *	4/1997	Hwang A61H 7/003 601/135
D403,428 S *	12/1998	Russo D24/200



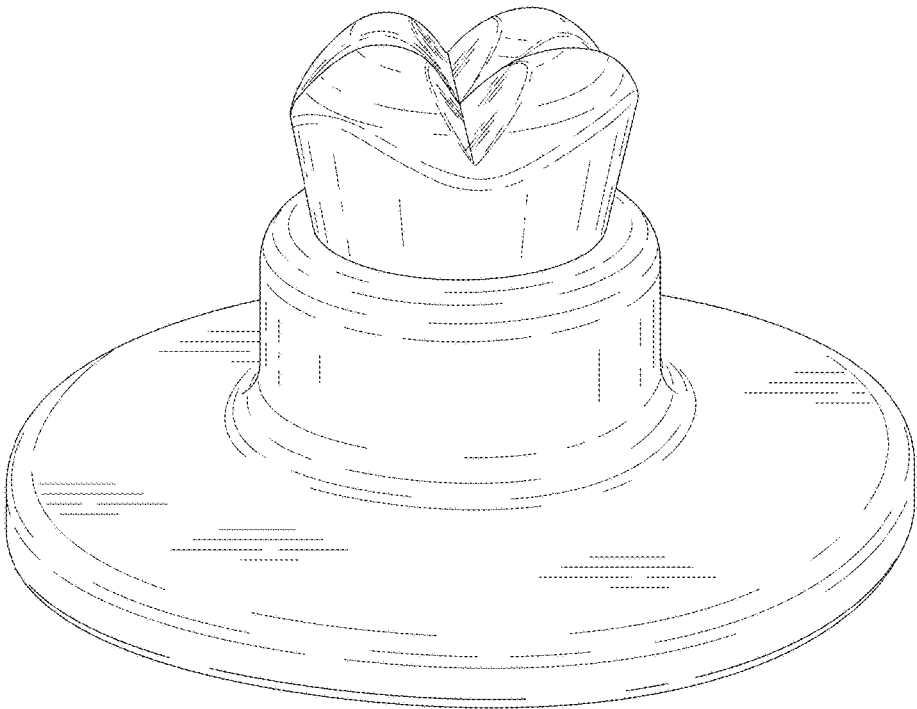


Fig. 1

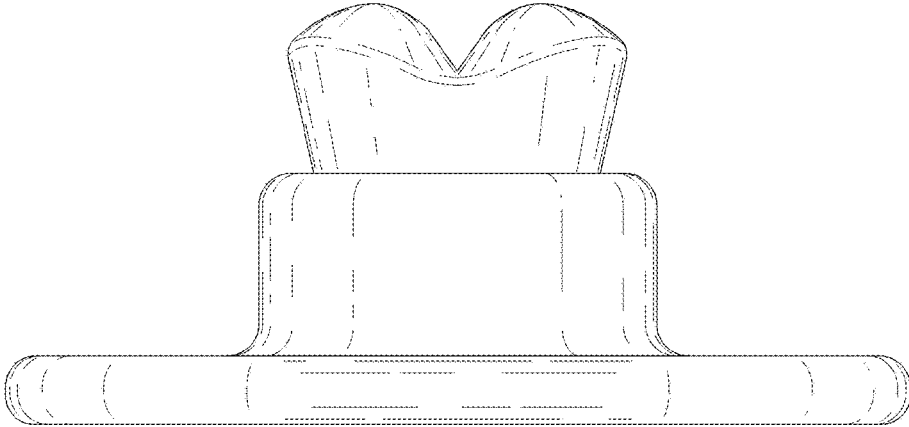


Fig. 2

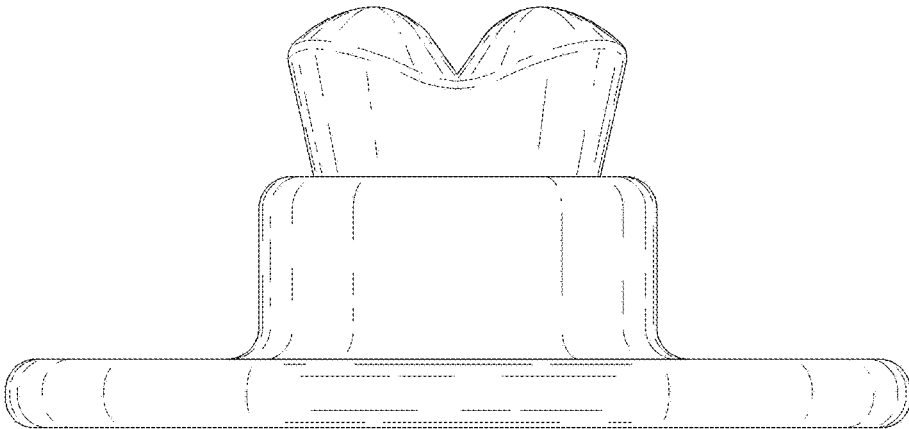


Fig. 3

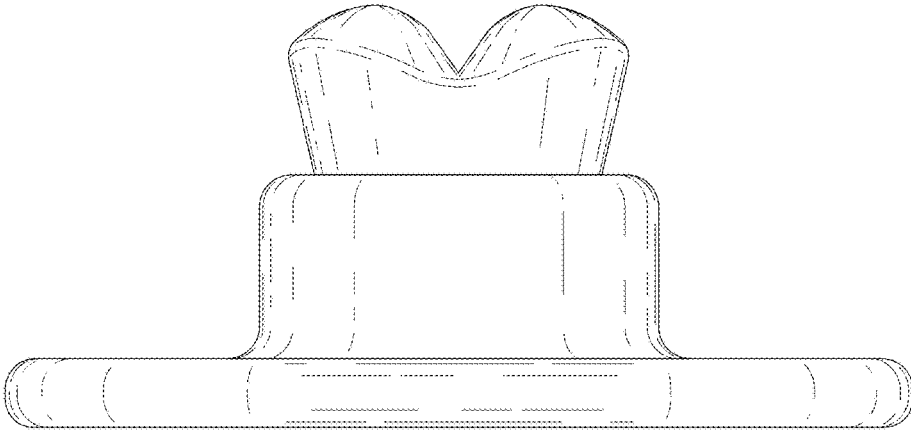


Fig. 4

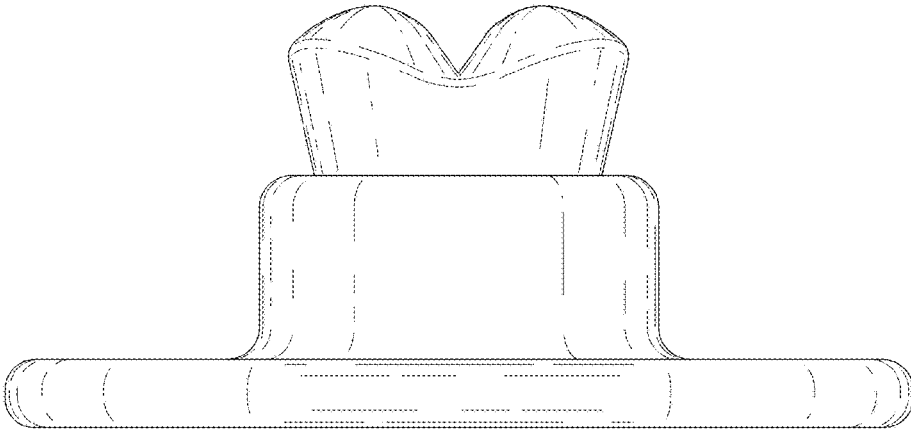


Fig. 5

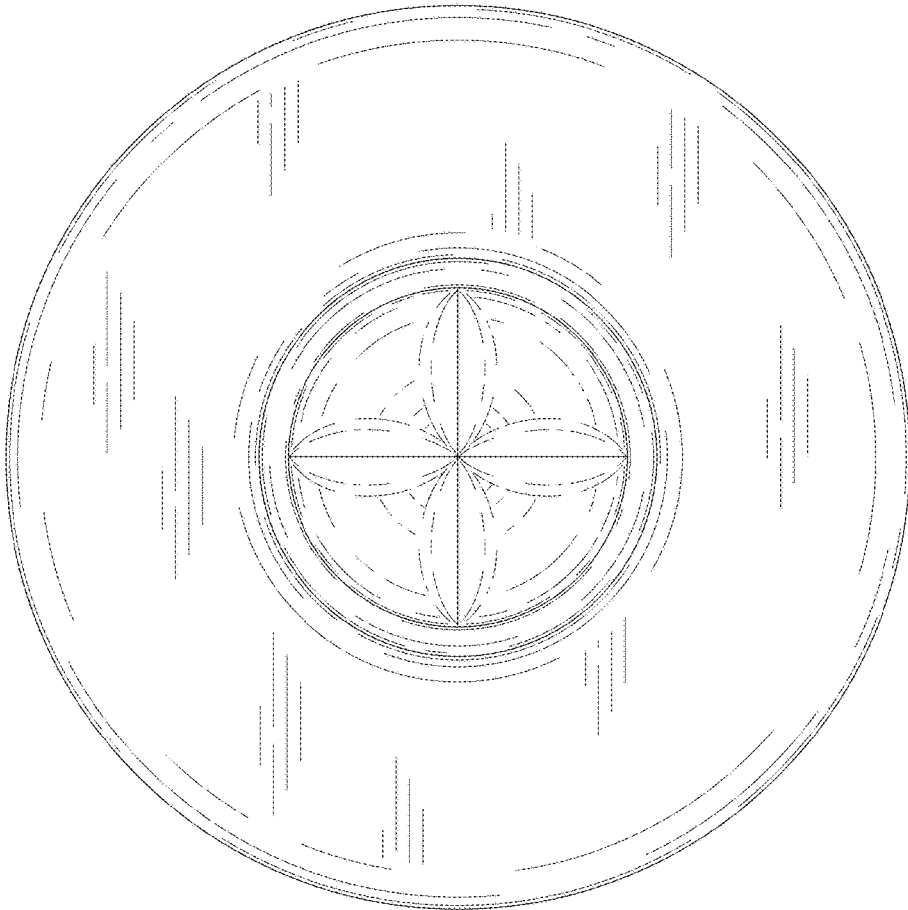


Fig. 6

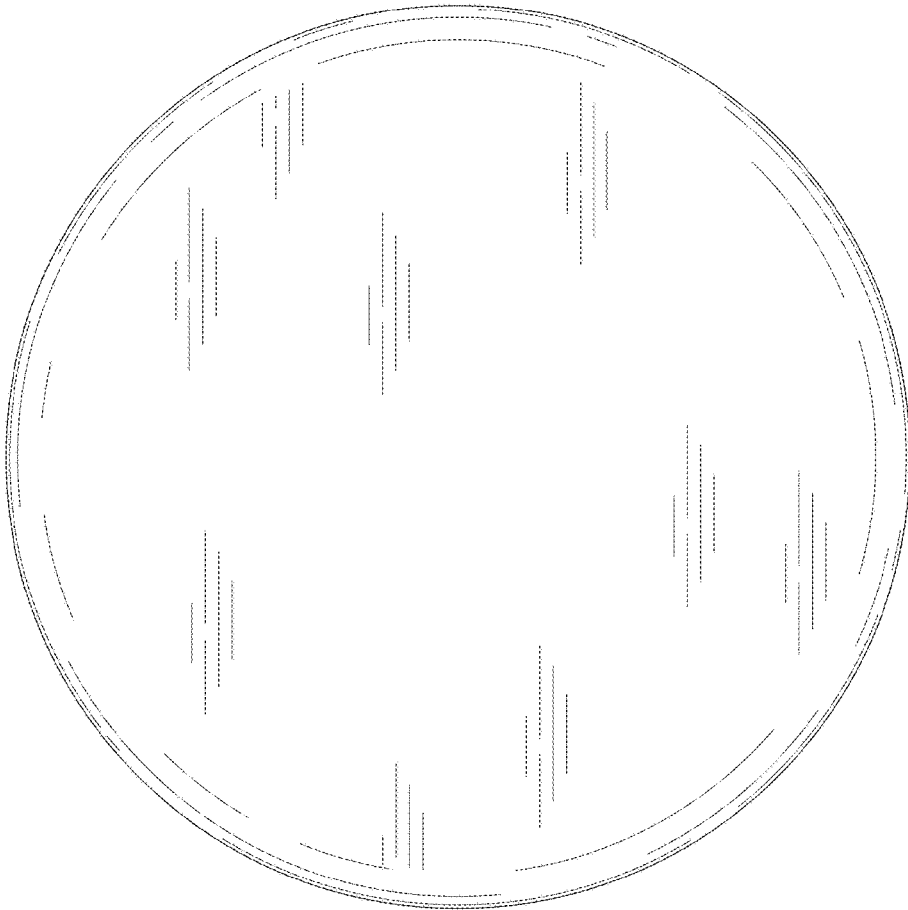


Fig. 7