



US00D895924S

(12) **United States Design Patent** (10) **Patent No.:** **US D895,924 S**
Heinzmann et al. (45) **Date of Patent:** **** Sep. 8, 2020**

(54) PALLET	6,234,087 B1 *	5/2001	Brown	B65D 19/0034 108/55.1
(71) Applicant: Big 3 Precision Products, Inc., Centralia, IL (US)	D464,186 S 7,908,980 B2 *	10/2002 3/2011	Medoff et al. Schmidt	B65D 77/0466 108/57.25
(72) Inventors: Roger Heinzmann, Walnut Hill, IL (US); Alan Scheidt, Troy, IL (US); Joe Biagi, Centralia, IL (US)	9,487,326 B2 9,487,329 B2 9,580,237 B2 D825,882 S 10,301,068 B2 10,457,444 B2	11/2016 11/2016 2/2017 8/2018 5/2019 10/2019	Banik et al. Balazs et al. Nolan et al. Thompson Nottestad et al. Banik et al.	
(73) Assignee: BIG 3 PRECISION PRODUCTS, INC., Centralia, IL (US)	D887,665 S * 2009/0263228 A1 *	6/2020 10/2009	Peng	D34/38 B65D 19/38 414/800
(**) Term: 15 Years	2012/0125802 A1 *	5/2012	Rayner	B65D 19/0065 206/524.6
(21) Appl. No.: 29/728,029	2019/0092523 A1 *	3/2019	Wu	B27N 5/00

* cited by examiner

- (22) Filed: **Mar. 16, 2020**
- (51) **LOC (12) Cl.** **09-08**
- (52) **U.S. Cl.**
USPC **D34/38**
- (58) **Field of Classification Search**
USPC D34/38; D3/307
CPC B65D 2519/00323; B65D 2519/00293;
B65D 2519/00333; B65D 2519/00273;
B65D 2519/00572; B65D 2519/00338;
B65D 2519/00288; B65D 2519/0094;
B65D 2519/00069; B65D 2519/00318
See application file for complete search history.

Primary Examiner — Cynthia Ramirez
(74) *Attorney, Agent, or Firm* — Eric B. Fugett; Mark A. Pitchford; Pitchford Fugett, PLLC

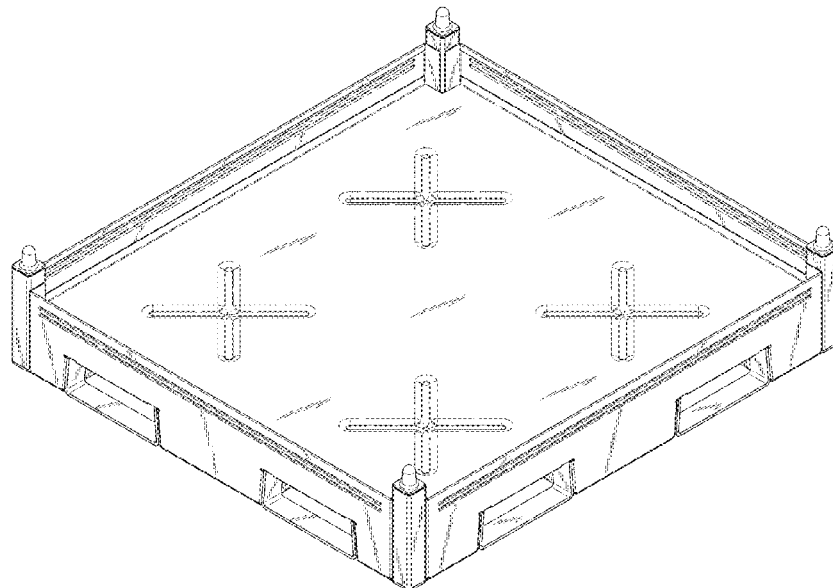
(57) **CLAIM**
The ornamental design for a pallet, as shown and described.

DESCRIPTION

FIG. 1 is an elevated perspective view of a pallet showing Applicant's invention.
FIG. 2 is a depressed perspective view of the pallet of FIG. 1.
FIG. 3 is a top plan view of the pallet of FIG. 1.
FIG. 4 is front side elevational view of the pallet of FIG. 1, the back side being a mirror image thereof.
FIG. 5 is bottom plan view of the pallet of FIG. 1; and,
FIG. 6 is a left side elevational view of the pallet of FIG. 1, the right side being a mirror image thereof.
The broken lines in FIGS. 1-3 and 5 depict portions of the pallet that form no part of the claimed design.

- (56) **References Cited**
U.S. PATENT DOCUMENTS
4,226,192 A * 10/1980 Myers B65D 19/0018
108/53.1
D258,948 S 4/1981 Stump
4,674,414 A * 6/1987 Nulle B65D 19/004
108/53.3
5,094,175 A 3/1992 Christie
5,667,065 A * 9/1997 Fahrion B65D 19/004
108/53.1
D404,179 S 1/1999 Apps et al.

1 Claim, 4 Drawing Sheets



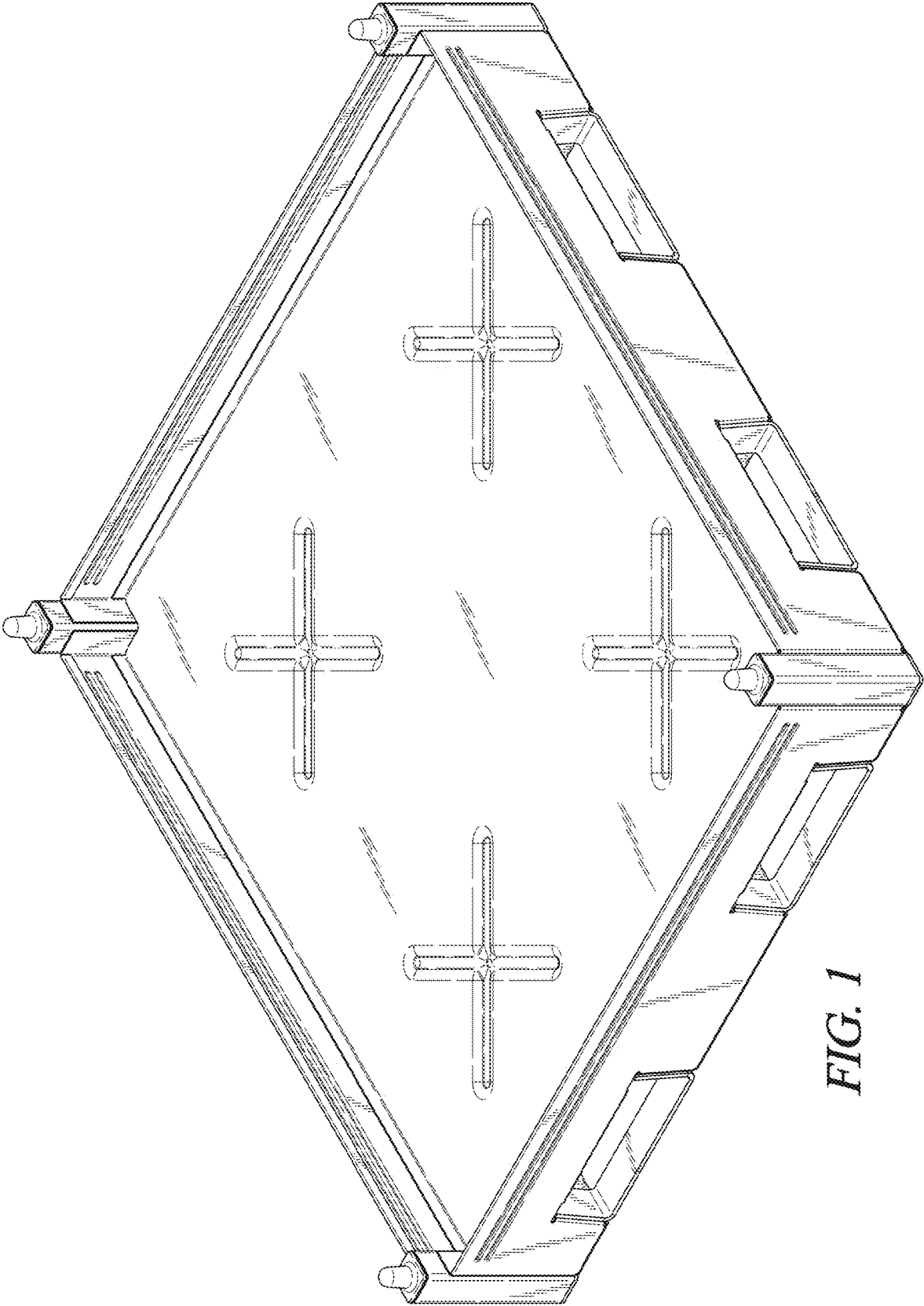


FIG. 1

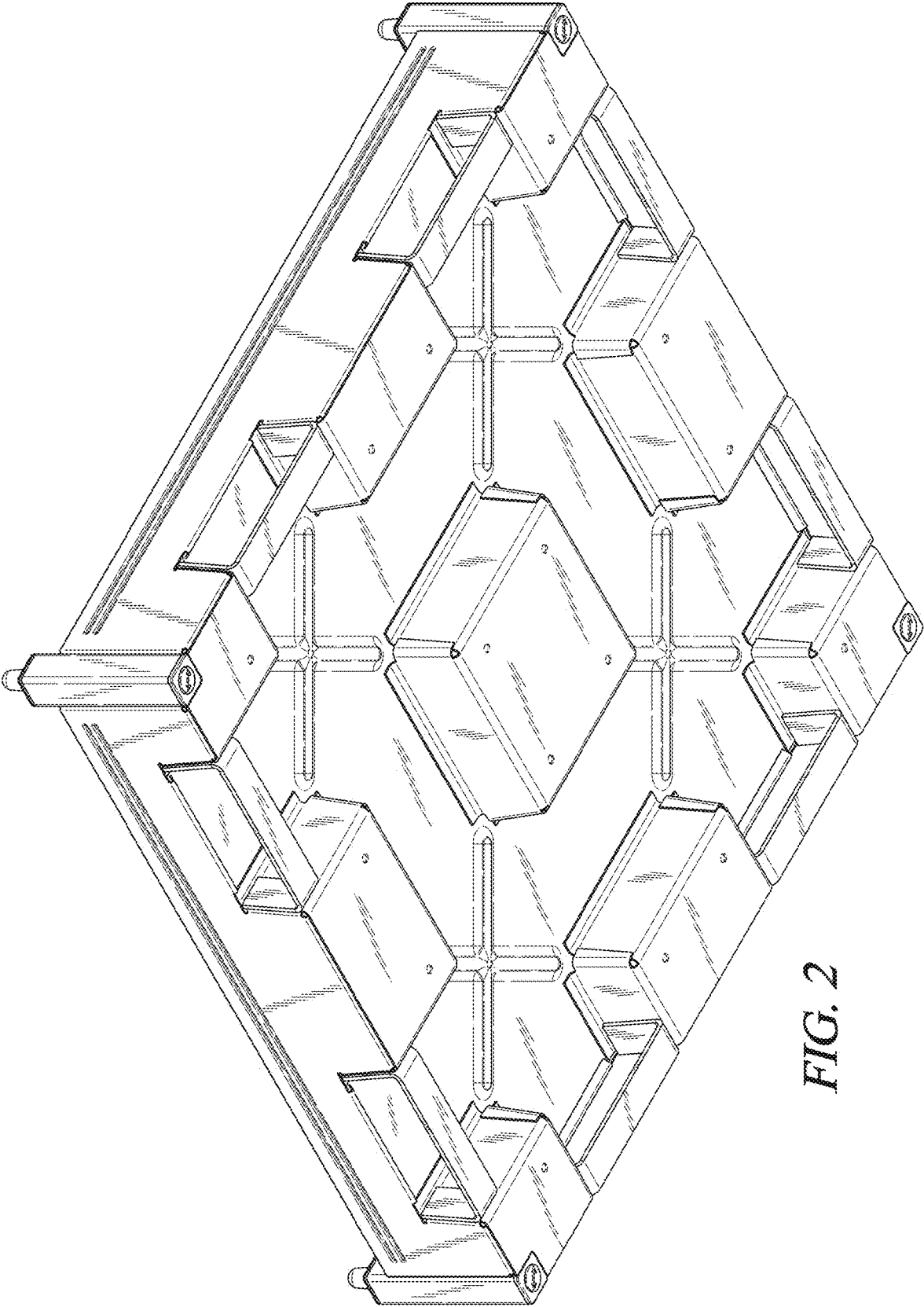


FIG. 2

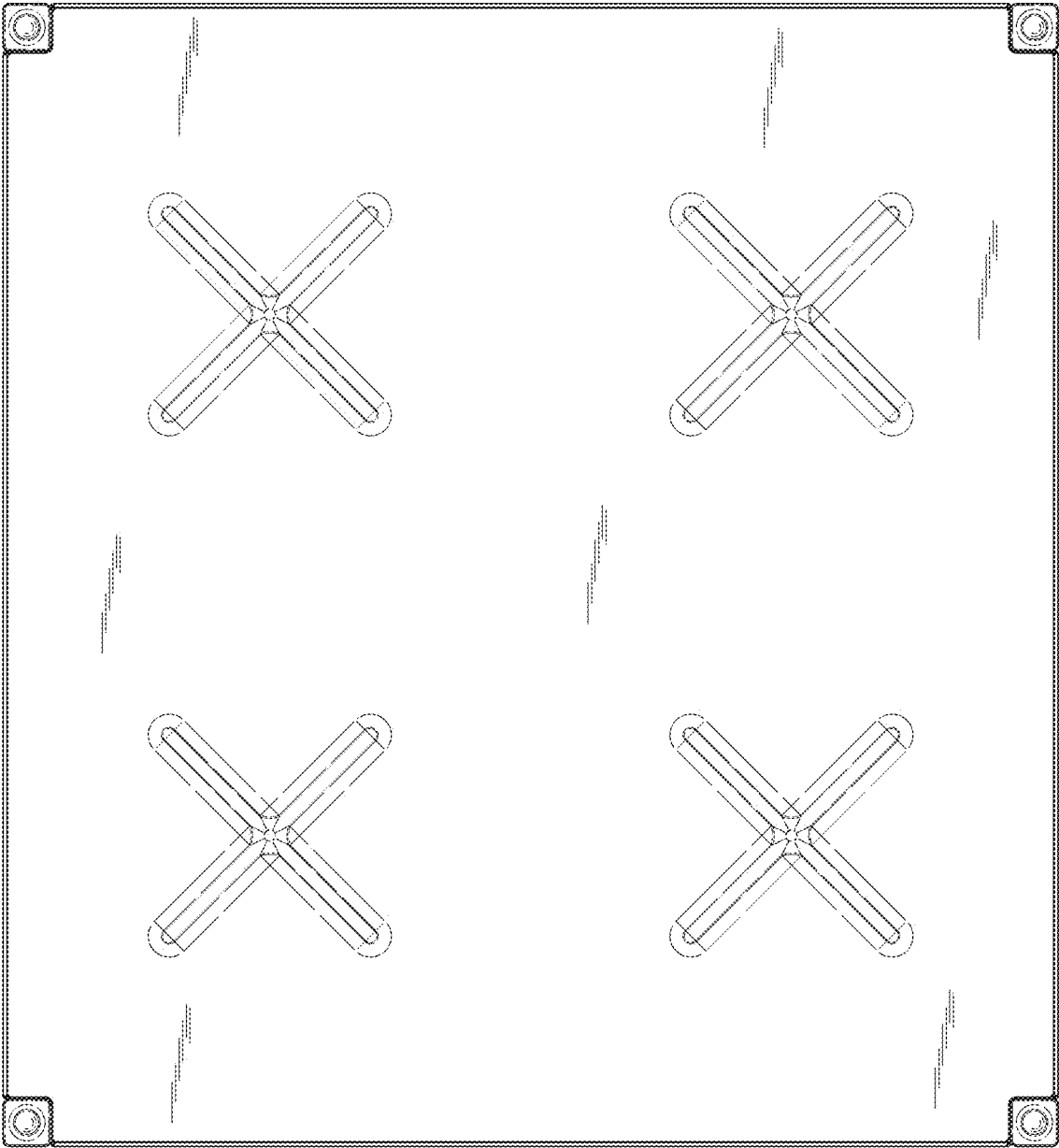


FIG. 3

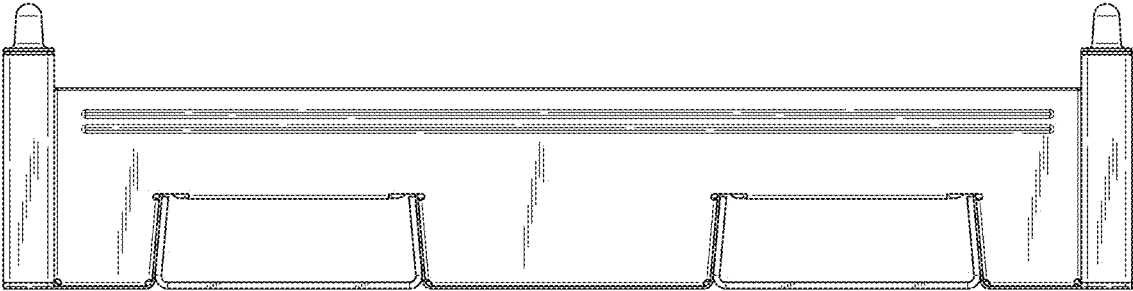


FIG. 4

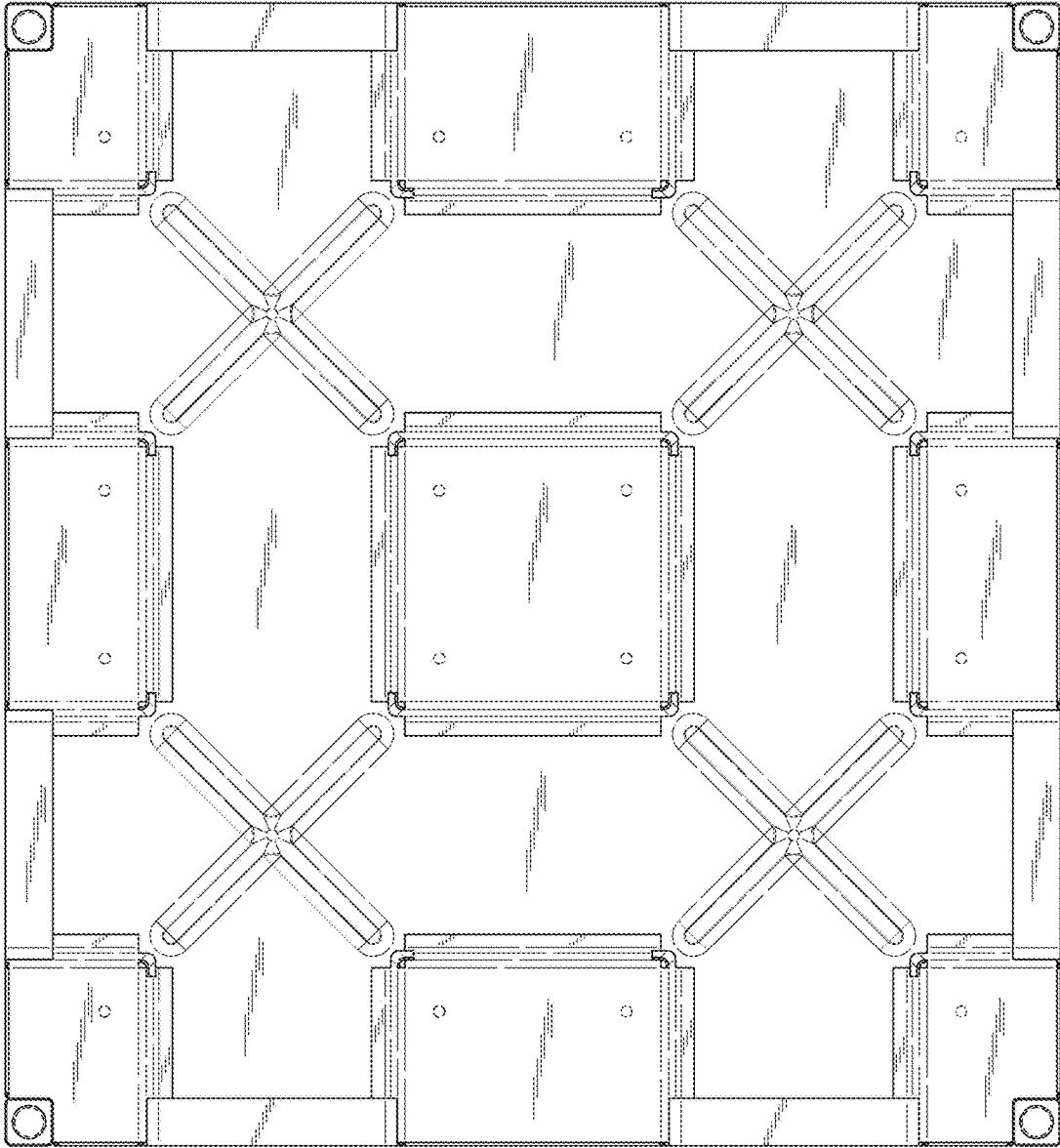


FIG. 5

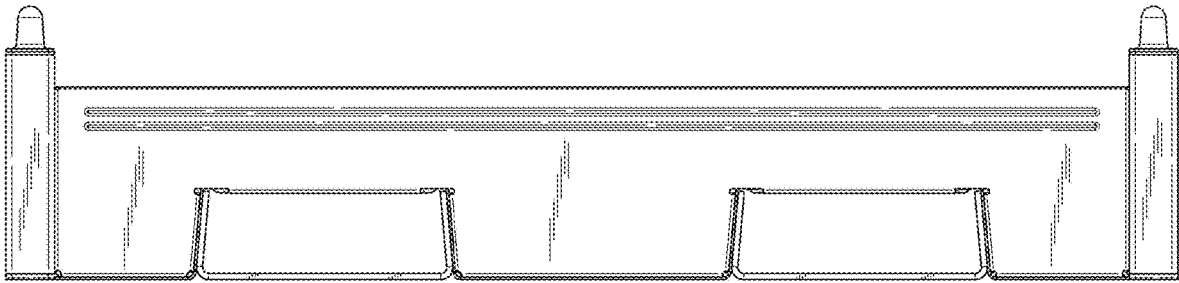


FIG. 6