



US00D697763S

(12) **United States Design Patent**  
**Carlson**

(10) **Patent No.:** **US D697,763 S**

(45) **Date of Patent:** **\*\* Jan. 21, 2014**

(54) **CONTAINER BASE**

(71) Applicant: **The Decor Corporation Pty. Ltd.,**  
Scoresby (AU)

(72) Inventor: **Arthur Richard Carlson,** Hawthorn  
(AU)

(73) Assignee: **The Decor Corporation Pty Ltd.,**  
Scoresby, Victoria (AU)

(\*\*) Term: **14 Years**

(21) Appl. No.: **29/450,675**

(22) Filed: **Mar. 20, 2013**

(51) **LOC (10) Cl.** ..... **07-07**

(52) **U.S. Cl.**

USPC ..... **D7/602**

(58) **Field of Classification Search**

USPC ..... D7/601, 602, 629, 630, 538-542;  
D9/424-432; 229/406, 407;  
220/780-806, 675, 669-673, 660, 236,  
220/326, 324, 4.23-4.25

See application file for complete search history.

D232,703 S	9/1974	Konzi	
D234,568 S	3/1975	Swett	
D235,406 S	6/1975	Daenen	
D238,137 S	12/1975	Swett	
D238,148 S	12/1975	Dilot	
D240,114 S	6/1976	Martinelli	
D241,599 S	9/1976	Croyle	
D241,703 S	10/1976	Aston	
4,046,310 A	9/1977	Gustafsson	
D256,557 S	8/1980	Ikushima et al.	
D267,703 S	1/1983	Chase et al.	
D281,048 S *	10/1985	Wolff .....	D7/602
D285,906 S	9/1986	Tyler	
D287,559 S *	1/1987	Daenen et al. ....	D7/586
D287,573 S	1/1987	Tyler	
D289,719 S	5/1987	Daenen et al.	
4,819,824 A *	4/1989	Longbottom et al. ....	220/266
D305,410 S	1/1990	Tyler	
5,065,887 A	11/1991	Schuh et al.	
D326,391 S	5/1992	Verchere	

(Continued)

*Primary Examiner* — Terry Wallace

(74) *Attorney, Agent, or Firm* — Cook Alex Ltd.

(57) **CLAIM**

The ornamental design for a container base, as shown and described.

**DESCRIPTION**

FIG. 1 is a front perspective view, from above, of the claimed design;

FIG. 2 is a rear perspective view, from beneath, of the claimed design;

FIG. 3 is a top plan view of the claimed design;

FIG. 4 is an underneath view of the claimed design;

FIG. 5 is a front view of the claimed design;

FIG. 6 is a rear view of the claimed design;

FIG. 7 is a left side view of the claimed design; and,

FIG. 8 is a right side view of the claimed design.

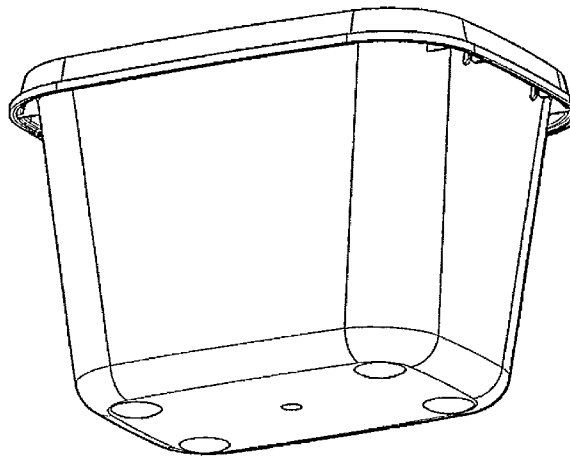
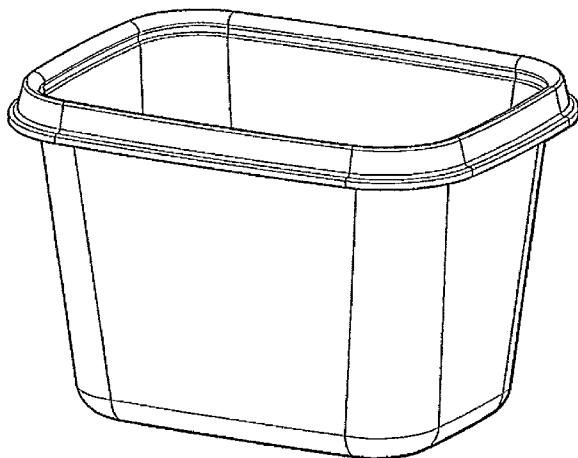
**1 Claim, 4 Drawing Sheets**

(56)

**References Cited**

**U.S. PATENT DOCUMENTS**

D3,357 S	2/1869	Pratt
D3,358 S	2/1869	Pratt
D117,714 S	11/1939	Guttman
D162,579 S	3/1951	Roop
D170,104 S	7/1953	Zabel
D186,194 S	9/1959	Beverlin
3,142,413 A	7/1964	Grogel
3,384,263 A	5/1968	Bernstein
D220,448 S	4/1971	Swett
D224,553 S	8/1972	Swett
D224,554 S	8/1972	Swett
D229,916 S	1/1974	Schneider



(56)

References Cited

U.S. PATENT DOCUMENTS

D330,660 S	11/1992	Newton et al.	D581,204 S	11/2008	Simon et al.	
D342,817 S	12/1993	Lippisch et al.	D584,145 S	1/2009	Young	
D351,791 S	10/1994	Morris, Sr.	D588,914 S	3/2009	Laurieu-Tedeschi	
D354,655 S	1/1995	Daenen et al.	D593,855 S	6/2009	Scheve	
D358,328 S	5/1995	Huerto et al.	D595,128 S	* 6/2009	Bouveret et al. ....	D9/425
D360,898 S	8/1995	Huerto et al.	D601,386 S	* 10/2009	Carlson .....	D7/602
D363,662 S	10/1995	Plater	D601,387 S	10/2009	Carlson	
D365,273 S	12/1995	Indekeu	D601,388 S	* 10/2009	Carlson .....	D7/602
D375,654 S	11/1996	Ferris	D601,857 S	* 10/2009	Carlson .....	D7/602
D375,836 S	11/1996	Conti	D614,919 S	5/2010	Carlson	
D377,739 S	2/1997	Carlson	D618,516 S	6/2010	DiPietro et al.	
D379,287 S	5/1997	Carlson	D630,899 S	* 1/2011	Samartgis .....	D7/602
D384,864 S	10/1997	Carlson	D630,900 S	1/2011	Samartgis	
D403,582 S	1/1999	Nask et al.	D630,901 S	1/2011	Samartgis	
D403,583 S	1/1999	Nask et al.	D631,298 S	1/2011	Samartgis	
D403,924 S	1/1999	Carlson	D631,299 S	1/2011	Samartgis	
D404,571 S	1/1999	Evans	D631,300 S	1/2011	Samartgis	
D413,231 S	8/1999	Loew et al.	D631,706 S	2/2011	Samartgis	
D420,859 S	2/2000	Loew et al.	D631,707 S	2/2011	Samartgis	
D428,310 S	7/2000	Zettle et al.	D642,905 S	8/2011	Samartgis	
D440,725 S	4/2001	Zimmerman	D642,906 S	8/2011	Samartgis	
D446,117 S	8/2001	Conti	D642,907 S	8/2011	Samartgis	
D448,133 S	9/2001	Windle	D643,710 S	8/2011	Samartgis	
D457,784 S	5/2002	Torniainen et al.	D643,711 S	8/2011	Samartgis	
D469,320 S	1/2003	Pettaweebuncha	D643,712 S	8/2011	Samartgis	
D484,797 S	1/2004	Kipperman et al.	D644,883 S	9/2011	Samartgis	
D513,376 S	1/2006	Shannon	D644,884 S	9/2011	Samartgis	
D536,248 S	2/2007	Lesquir	D644,885 S	9/2011	Samartgis	
D540,669 S	4/2007	George et al.	D644,886 S	9/2011	Samartgis	
D542,591 S	5/2007	Carlson	D644,887 S	9/2011	Samartgis	
D548,588 S	* 8/2007	Bouveret et al. ....	D644,888 S	* 9/2011	Samartgis .....	D7/602
D555,476 S	11/2007	Nielsen et al.	D655,576 S	3/2012	Samartgis	
D571,200 S	6/2008	Bouveret et al.	D655,577 S	* 3/2012	Samartgis .....	D7/602
			D655,578 S	3/2012	Samartgis	
			2004/0118737 A1 *	6/2004	Welsh et al. ....	206/508
			2009/0120937 A1 *	5/2009	Vovan .....	220/266

\* cited by examiner

FIG. 1

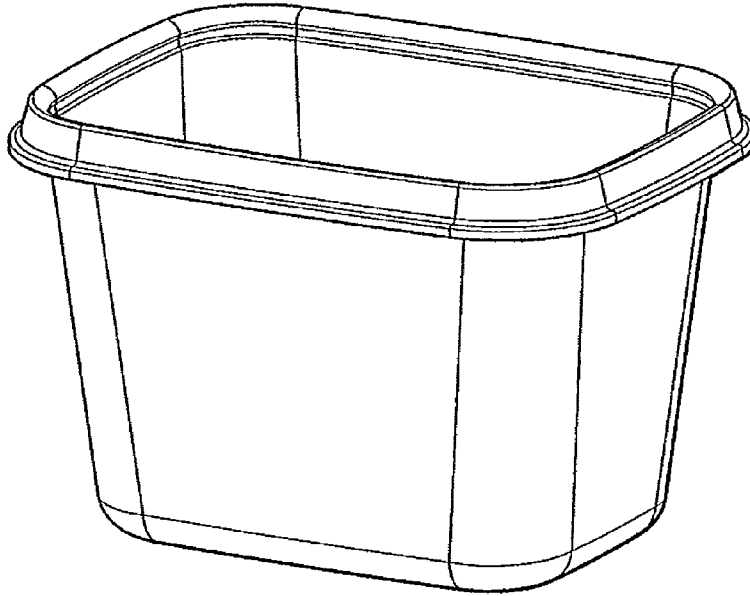
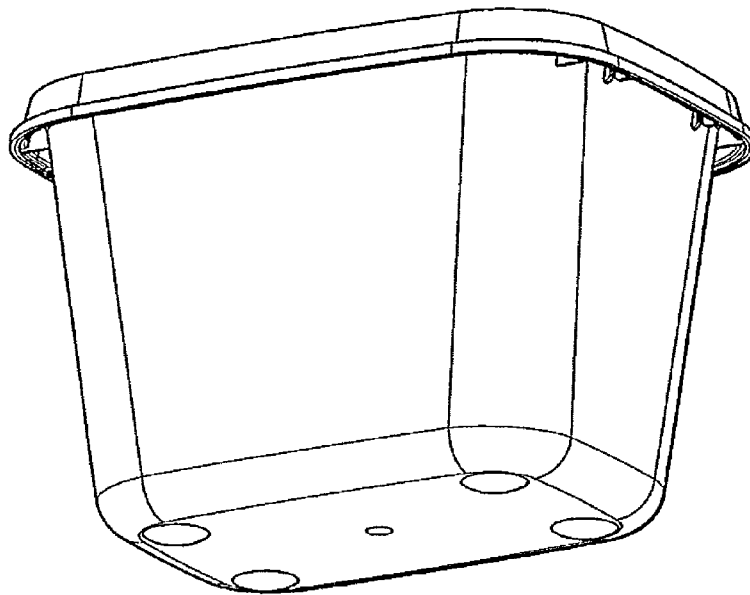
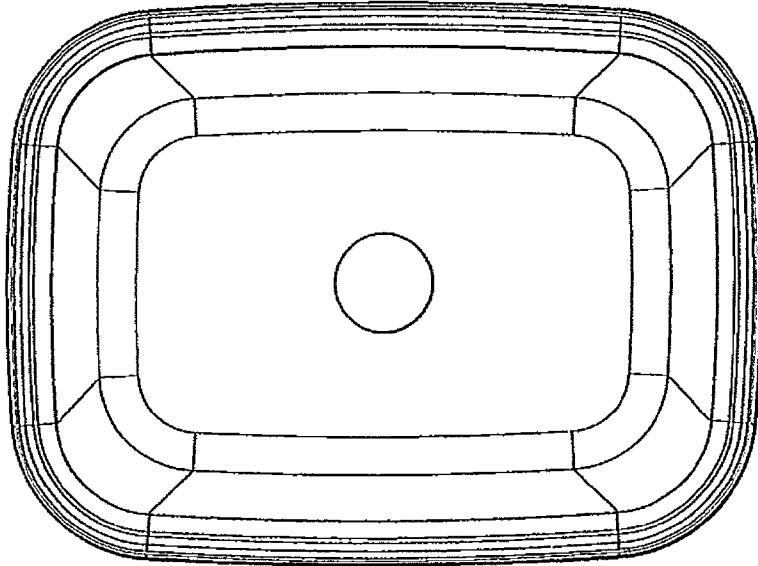


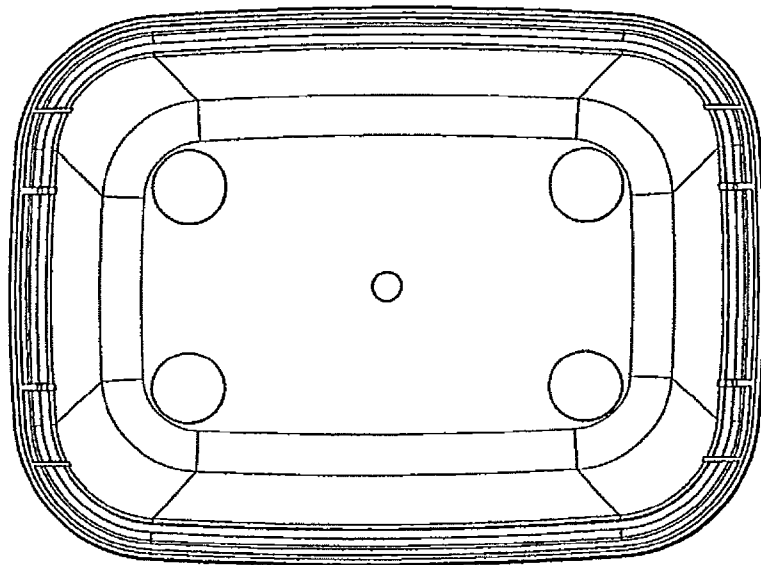
FIG. 2



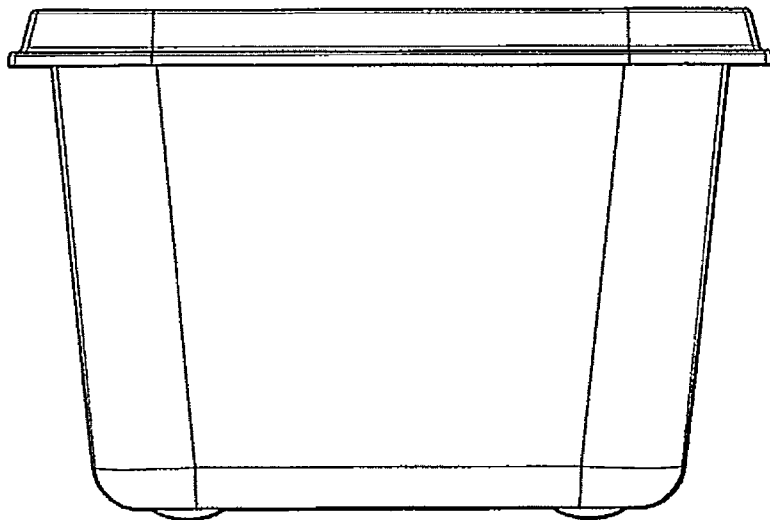
**FIG. 3**



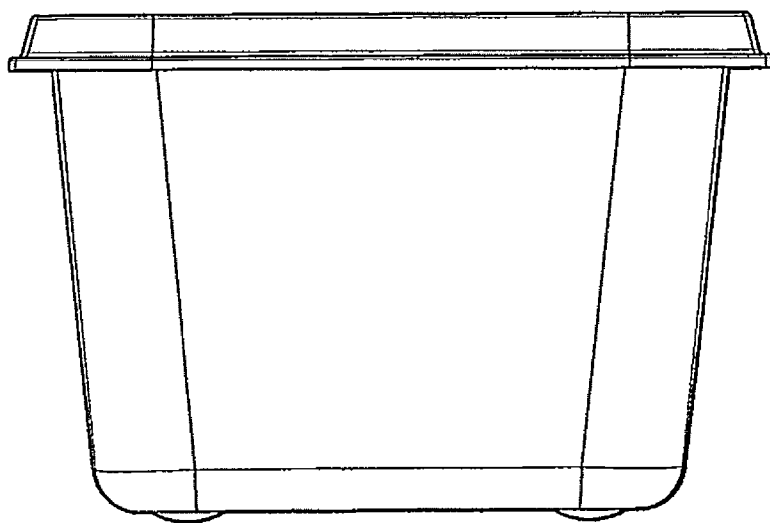
**FIG. 4**



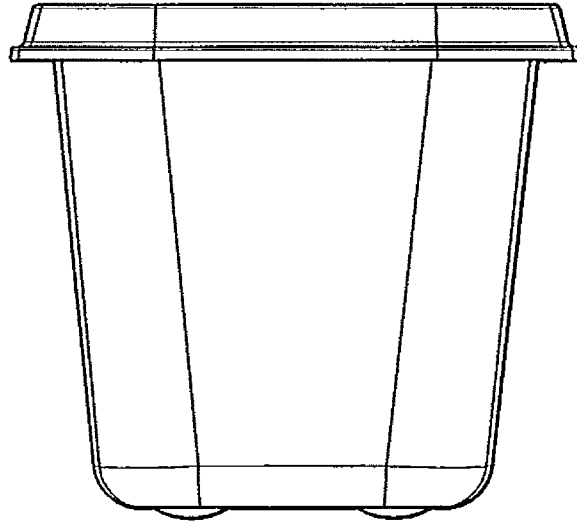
*FIG. 5*



*FIG. 6*



*FIG. 7*



*FIG. 8*

