



US00D719166S

(12) **United States Design Patent**
Brown et al.

(10) **Patent No.:** **US D719,166 S**

(45) **Date of Patent:** **** Dec. 9, 2014**

(54) **SCANNING JACKET FOR A HANDHELD PHONE DEVICE**

(71) Applicant: **PatientSafe Solutions, Inc.**, San Diego, CA (US)

(72) Inventors: **Houston A. Brown**, Carlsbad, CA (US);
Lon M. Severe, San Diego, CA (US);
Marco A. Schilling, El Cajon, CA (US)

(73) Assignee: **PatientSafe Solutions, Inc.**, San Diego, CA (US)

(**) Term: **14 Years**

(21) Appl. No.: **29/500,281**

(22) Filed: **Aug. 22, 2014**

(51) **LOC (10) Cl.** **14-02**

(52) **U.S. Cl.** **D14/420; D14/250**
USPC

(58) **Field of Classification Search**

USPC D14/432, 250, 341-346, 138, 336, 137, D14/147, 218, 439, 191, 496, 148, 247, 248, D14/144, 252, 420, 426, 429; D21/333, D21/329, 517; D3/218, 215, 230, 273; 190/102; 150/154, 165; D18/1, 2, 7, D18/11; 341/22, 23, 20, 26; 235/145 A, 235/145 R, 1 D; 345/156, 168-173, 157, 345/160, 161, 184, 856, 857, 860; 349/12; 361/680-687, 814, 759; 455/575.8, 455/550.1, 575.1-575.4, 575.6, 90.3, 556.1, 455/556.2, 414.1, 417, 411, 564, 566, 41.2, 455/418, 466, 90.1, 517; 379/428.01, 379/433.01-433.13, 455, 447, 451, 112.01, 379/368, 434; 206/320, 305, 722, 312, 701, 206/472, 523, 591, 592; 348/14.02, E5.128; D9/418; 224/240, 241, 904; 312/223.2, 312/216; 400/486, 472, 489; 715/864, 780, 715/816; 248/918, 176.1, 309.1; 709/224, 709/203; 220/23.91; 70/57; D10/49; D16/135

See application file for complete search history.

(56) **References Cited**

U.S. PATENT DOCUMENTS

4,916,441	A *	4/1990	Gombrich	345/169
D322,165	S *	12/1991	Lloyd	D3/273
5,360,108	A *	11/1994	Alagia	206/320
5,368,159	A *	11/1994	Doria	206/320
5,388,692	A *	2/1995	Withrow et al.	206/320
5,583,742	A *	12/1996	Noda et al.	361/679.21
D379,265	S *	5/1997	Wathen et al.	D3/269
5,805,416	A *	9/1998	Friend et al.	361/679.32
5,996,956	A *	12/1999	Shawver	248/309.1
D424,035	S *	5/2000	Steiner et al.	D14/439
6,064,779	A *	5/2000	Neukermans et al.	382/313
6,201,867	B1 *	3/2001	Koike	379/433.11
6,744,537	B1 *	6/2004	Chiba et al.	358/473

(Continued)

Primary Examiner — Susan Moon Lee

(74) *Attorney, Agent, or Firm* — Thomas A. Runk; Fulwider Patton LLP

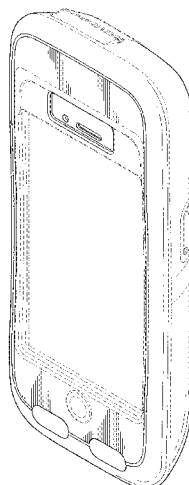
(57) **CLAIM**

We claim the ornamental design for a scanning jacket for a handheld phone device, as shown and described.

DESCRIPTION

FIG. 1 is a top, right side, and rear perspective view of a scanning jacket for a handheld phone device configured in accordance with the present invention; FIG. 2 is a bottom, left side, and front perspective view thereof; FIG. 3 is a top plan view thereof; FIG. 4 is a bottom plan view thereof; FIG. 5 is a left side elevation view thereof; FIG. 6 is a right side elevation view thereof; FIG. 7 is a rear elevation view thereof; and, FIG. 8 is a front elevation view thereof. Broken lines and entirely unshaded portions contained within broken line are not claimed.

1 Claim, 6 Drawing Sheets



(56)

References Cited

U.S. PATENT DOCUMENTS

6,789,734	B1 *	9/2004	Tu	235/441	D670,280	S *	11/2012	Rayner	D14/250
6,842,652	B2 *	1/2005	Yeung	700/65	D670,281	S *	11/2012	Corpuz et al.	D14/250
6,886,749	B2 *	5/2005	Chiba et al.	235/454	D670,694	S *	11/2012	Li	D14/341
6,963,756	B2 *	11/2005	Lubowicki et al.	455/550.1	8,302,769	B2 *	11/2012	Justiss	206/38
6,995,976	B2 *	2/2006	Richardson	345/173	D673,936	S *	1/2013	Michie et al.	D14/250
7,050,712	B2 *	5/2006	Shimamura	396/27	8,342,325	B2 *	1/2013	Rayner	206/320
7,158,376	B2 *	1/2007	Richardson et al.	361/679.56	D675,947	S *	2/2013	Janky et al.	D10/78
7,180,735	B2 *	2/2007	Thomas et al.	361/679.56	D676,032	S *	2/2013	Stump et al.	D14/250
7,312,984	B2 *	12/2007	Richardson et al.	361/679.41	D677,251	S *	3/2013	Melanson et al.	D14/250
D563,093	S *	3/2008	Nussberger et al.	D3/201	8,395,894	B2 *	3/2013	Richardson et al.	361/679.55
D565,291	S *	4/2008	Brandenburg et al.	D3/218	D679,270	S *	4/2013	Eicher	D14/250
D582,149	S *	12/2008	Tan	D3/218	D679,684	S *	4/2013	Baker et al.	D14/250
D593,319	S *	6/2009	Richardson et al.	D3/218	D681,020	S *	4/2013	Magness et al.	D14/238.1
D593,746	S *	6/2009	Richardson et al.	D3/201	8,430,240	B2 *	4/2013	Kim	206/320
7,555,325	B2 *	6/2009	Goros	455/575.8	D681,613	S *	5/2013	Magness et al.	D14/238.1
D597,067	S *	7/2009	Oh et al.	D14/203.7	D681,619	S *	5/2013	Smith	D14/250
7,594,576	B2 *	9/2009	Chen et al.	206/320	D683,338	S *	5/2013	Wilson et al.	D14/250
7,609,512	B2 *	10/2009	Richardson et al.	361/679.41	8,439,191	B1 *	5/2013	Lu	206/320
D603,602	S *	11/2009	Richardson et al.	D3/218	8,457,701	B2 *	6/2013	Diebel	455/575.8
7,612,997	B1 *	11/2009	Diebel et al.	361/679.56	D685,754	S *	7/2013	Palmer et al.	D14/138 G
D605,850	S *	12/2009	Richardson et al.	D3/218	8,483,758	B2 *	7/2013	Huang	455/557
D606,305	S *	12/2009	Lee et al.	D3/269	D688,234	S *	8/2013	Esses	D14/250
D606,751	S *	12/2009	Andre et al.	D3/269	D689,475	S *	9/2013	Andre et al.	D14/250
D609,463	S *	2/2010	Bullen	D3/218	8,523,068	B2 *	9/2013	Hsu et al.	235/383
D610,568	S *	2/2010	Yu	D14/203.7	8,526,180	B2 *	9/2013	Rayner	361/679.55
7,663,878	B2 *	2/2010	Swan et al.	361/679.56	8,531,824	B2 *	9/2013	Rayner	361/679.09
7,688,580	B2 *	3/2010	Richardson et al.	361/679.56	8,531,833	B2 *	9/2013	Diebel et al.	361/679.56
D613,282	S *	4/2010	Richardson et al.	D14/250	D691,990	S *	10/2013	Rayner	D14/250
D615,535	S *	5/2010	Richardson et al.	D14/250	D692,419	S *	10/2013	Rayner	D14/250
D617,784	S *	6/2010	Richardson et al.	D14/250	8,548,541	B2 *	10/2013	Rayner	455/575.8
D619,130	S *	7/2010	Fellig	D14/250	8,564,950	B2 *	10/2013	Rayner	361/679.55
D619,574	S *	7/2010	Richardson et al.	D14/250	8,570,737	B2 *	10/2013	Rayner	361/679.56
D623,179	S *	9/2010	Richardson et al.	D14/250	D692,878	S *	11/2013	Akana et al.	D14/341
D624,064	S *	9/2010	Esposito	D14/250	D692,893	S *	11/2013	Wesolek	D14/429
D624,908	S *	10/2010	Huskinson	D14/250	D694,227	S *	11/2013	Rayner	D14/250
D626,119	S *	10/2010	Fellig	D14/250	8,584,847	B2 *	11/2013	Tages et al.	206/320
D628,994	S *	12/2010	Griffin et al.	D14/250	D695,730	S *	12/2013	Wicks et al.	D14/250
D629,784	S *	12/2010	Forsyth	D14/138 G	D696,234	S *	12/2013	Wright	D14/250
7,859,222	B2 *	12/2010	Woud	320/115	8,599,547	B2 *	12/2013	Richardson et al.	361/679.3
D632,685	S *	2/2011	Richardson et al.	D14/250	8,623,494	B2 *	1/2014	Richardson et al.	428/156
7,889,498	B2 *	2/2011	Diebel et al.	361/679.56	8,644,011	B2 *	2/2014	Parkinson	361/679.09
D635,131	S *	3/2011	Roman	D14/240	D702,221	S *	4/2014	Vandiver	D14/250
D636,386	S *	4/2011	Richardson et al.	D14/250	D703,199	S *	4/2014	Smith	D14/250
7,933,122	B2 *	4/2011	Richardson et al.	361/679.55	D703,652	S *	4/2014	Melanson et al.	D14/250
D637,589	S *	5/2011	Willes et al.	D14/250	8,687,351	B2 *	4/2014	Yturralde et al.	361/679.02
D638,411	S *	5/2011	Willes et al.	D14/250	8,708,142	B2 *	4/2014	Rayner	206/320
D638,828	S *	5/2011	Melanson et al.	D14/250	D704,182	S *	5/2014	Smith	D14/250
D638,829	S *	5/2011	Melanson et al.	D14/250	D705,763	S *	5/2014	Fastman et al.	D14/250
D641,013	S *	7/2011	Richardson et al.	D14/250	D705,768	S *	5/2014	Melanson et al.	D14/250
D642,169	S *	7/2011	Andre et al.	D14/250	D705,769	S *	5/2014	Esses	D14/250
7,984,804	B2 *	7/2011	Lebauer	206/320	8,716,598	B2 *	5/2014	Pan	174/50
D643,424	S *	8/2011	Richardson et al.	D14/253	8,735,721	B2 *	5/2014	Pan	174/50
D644,218	S *	8/2011	Akana et al.	D14/341	D706,253	S *	6/2014	Simmer	D14/250
D644,638	S *	9/2011	Melanson et al.	D14/250	8,767,385	B2 *	7/2014	Richardson et al.	361/679.3
D645,015	S *	9/2011	Lee et al.	D14/138 G	8,774,446	B2 *	7/2014	Merenda	381/395
D645,031	S *	9/2011	Richardson et al.	D14/250	2002/0126440	A1 *	9/2002	Webb et al.	361/680
D646,671	S *	10/2011	Fathollahi	D14/250	2002/0137475	A1 *	9/2002	Shou et al.	455/90
D650,810	S *	12/2011	Lemelman et al.	D14/496	2002/0148745	A1 *	10/2002	Chang	206/320
D651,203	S *	12/2011	Michie et al.	D14/250	2003/0024991	A1 *	2/2003	Tuli	235/472.01
D651,594	S *	1/2012	Melanson et al.	D14/250	2003/0062882	A1 *	4/2003	Shih	323/299
D653,202	S *	1/2012	Hasbrook et al.	D13/103	2003/0095374	A1 *	5/2003	Richardson	361/681
D653,660	S *	2/2012	Sweet	D14/250	2003/0104850	A1 *	6/2003	Lai et al.	455/575
D654,894	S *	2/2012	Kim	D14/138 G	2003/0151780	A1 *	8/2003	Tsai	358/474
D656,495	S *	3/2012	Andre et al.	D14/250	2004/0089570	A1 *	5/2004	Chien et al.	206/320
D658,165	S *	4/2012	Freeman	D14/250	2005/0174727	A1 *	8/2005	Thomas et al.	361/681
D658,166	S *	4/2012	Bau	D14/250	2006/0104021	A1 *	5/2006	Chen et al.	361/683
8,170,632	B2 *	5/2012	Hsu	455/575.4	2007/0049365	A1 *	3/2007	Norris et al.	455/575.8
8,191,706	B1 *	6/2012	Liu	206/320	2007/0110416	A1 *	5/2007	Yamaguchi et al.	396/27
8,204,561	B2 *	6/2012	Mongan et al.	455/575.8	2007/0139873	A1 *	6/2007	Thomas et al.	361/681
D662,924	S *	7/2012	Melanson et al.	D14/250	2007/0146985	A1 *	6/2007	Mick et al.	361/683
D662,927	S *	7/2012	Fahrendorff et al.	D14/250	2007/0179348	A1 *	8/2007	Shen	600/300
8,245,842	B2 *	8/2012	Bau	206/320	2007/0223183	A1 *	9/2007	Oja	361/681
D667,783	S *	9/2012	Zhang et al.	D13/102	2007/0297149	A1 *	12/2007	Richardson et al.	361/731
8,286,789	B2 *	10/2012	Wilson et al.	206/320	2008/0053851	A1 *	3/2008	Ko et al.	206/320
D670,278	S *	11/2012	Hamann	D14/250	2008/0251512	A1 *	10/2008	Griffin et al.	220/4.02
					2008/0316687	A1 *	12/2008	Richardson et al.	361/680
					2009/0009945	A1 *	1/2009	Johnson et al.	361/681
					2009/0036181	A1 *	2/2009	Lee	455/575.4
					2009/0114556	A1 *	5/2009	Tai et al.	206/320

(56)

References Cited

U.S. PATENT DOCUMENTS

2009/0215412 A1* 8/2009 Liu et al. 455/90.3
 2009/0245565 A1* 10/2009 Mittleman et al. 381/365
 2009/0247244 A1* 10/2009 Mittleman et al. 455/575.1
 2009/0257189 A1* 10/2009 Wang et al. 361/679.56
 2010/0008028 A1* 1/2010 Richardson et al. 361/679.01
 2010/0048257 A1* 2/2010 Prest et al. 455/575.1
 2010/0048267 A1* 2/2010 Lin 455/575.8
 2010/0085691 A1* 4/2010 Yeh et al. 361/679.01
 2010/0096284 A1* 4/2010 Bau 206/320
 2010/0104814 A1* 4/2010 Richardson et al. 428/156
 2010/0122756 A1* 5/2010 Longinotti-Buitoni 150/165
 2010/0124040 A1* 5/2010 Diebel et al. 361/816
 2010/0203931 A1* 8/2010 Hyneczek et al. 455/575.8
 2010/0238119 A1* 9/2010 Dubrovsky et al. 345/169
 2011/0003624 A1* 1/2011 Jung et al. 455/575.4
 2011/0073505 A1* 3/2011 Stiehl 206/320
 2011/0117969 A1* 5/2011 Hanson 455/566
 2011/0183721 A1* 7/2011 Hill et al. 455/566
 2011/0192510 A1* 8/2011 Bau 150/154
 2011/0253569 A1* 10/2011 Lord 206/320
 2012/0018323 A1* 1/2012 Johnson et al. 206/320
 2012/0018325 A1* 1/2012 Kim 206/320
 2012/0031788 A1* 2/2012 Mongan et al. 206/320
 2012/0037524 A1* 2/2012 Lonsdale et al. 206/320
 2012/0043235 A1* 2/2012 Klement 206/320
 2012/0056789 A1* 3/2012 Sohn 343/702
 2012/0074005 A1* 3/2012 Johnson et al. 206/320
 2012/0118772 A1* 5/2012 Ellis-Brown 206/320
 2012/0118773 A1* 5/2012 Rayner 206/320
 2012/0168336 A1* 7/2012 Schmidt et al. 206/478
 2012/0178506 A1* 7/2012 Sorias et al. 455/573
 2012/0211382 A1* 8/2012 Rayner 206/320
 2012/0229843 A1* 9/2012 Golle et al. 358/1.15

2012/0285847 A1* 11/2012 Olsson et al. 206/320
 2012/0305422 A1* 12/2012 Vandiver 206/320
 2012/0320503 A1* 12/2012 Yturalde et al. 361/679.01
 2013/0029790 A1* 1/2013 Clark 473/407
 2013/0092576 A1* 4/2013 Rayner 206/320
 2013/0113348 A1* 5/2013 Holben et al. 312/223.1
 2013/0146491 A1* 6/2013 Ghali et al. 206/320
 2013/0148295 A1* 6/2013 Minn et al. 361/679.59
 2013/0157730 A1* 6/2013 McCormac et al. 455/575.8
 2013/0175186 A1* 7/2013 Simmer 206/37
 2013/0206621 A1* 8/2013 Bau 206/320
 2013/0292281 A1* 11/2013 Chung 206/320
 2013/0341222 A1* 12/2013 Lin 206/320
 2014/0034531 A1* 2/2014 Wang 206/320
 2014/0043441 A1* 2/2014 Borenstein et al. 348/47
 2014/0043442 A1* 2/2014 Borenstein et al. 348/47
 2014/0076753 A1* 3/2014 Limber et al. 206/320
 2014/0085777 A1* 3/2014 Yeh et al. 361/679.01
 2014/0092532 A1* 4/2014 Kole et al. 361/679.01
 2014/0092537 A1* 4/2014 Bae et al. 361/679.01
 2014/0098476 A1* 4/2014 Severson et al. 361/679.01
 2014/0104761 A1* 4/2014 Hsu 361/679.01
 2014/0104765 A1* 4/2014 Hoshino 361/679.01
 2014/0111910 A1* 4/2014 Lin et al. 361/679.01
 2014/0111913 A1* 4/2014 Liu et al. 361/679.01
 2014/0118905 A1* 5/2014 Chung et al. 361/679.01
 2014/0139978 A1* 5/2014 Kwong 361/679.01
 2014/0146441 A1* 5/2014 Hautamaki et al. 361/679.01
 2014/0160650 A1* 6/2014 Stevens et al. 361/679.01
 2014/0168212 A1* 6/2014 Jones 345/420
 2014/0168867 A1* 6/2014 Choi et al. 361/679.01
 2014/0168870 A1* 6/2014 Cho et al. 361/679.01
 2014/0185206 A1* 7/2014 Kim et al. 361/679.01
 2014/0192459 A1* 7/2014 Kwong et al. 361/679.01
 2014/0192462 A1* 7/2014 Park 361/679.01

* cited by examiner

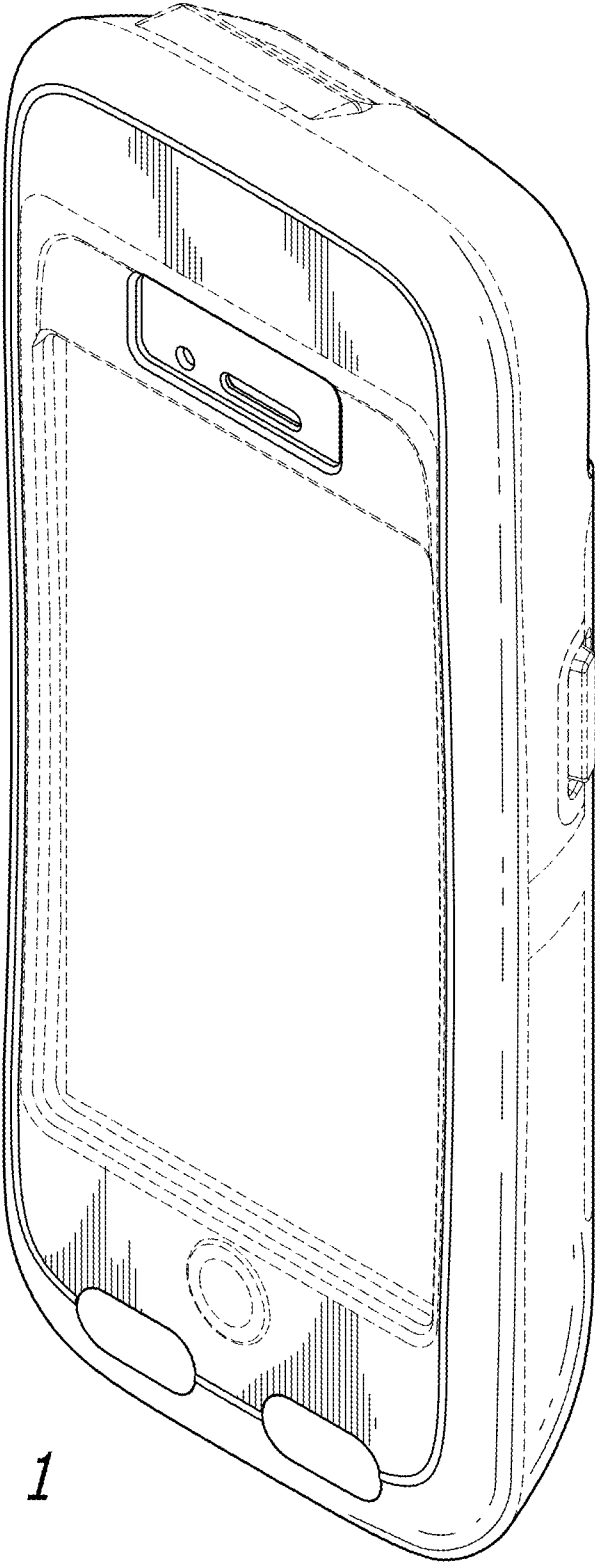


FIG. 1

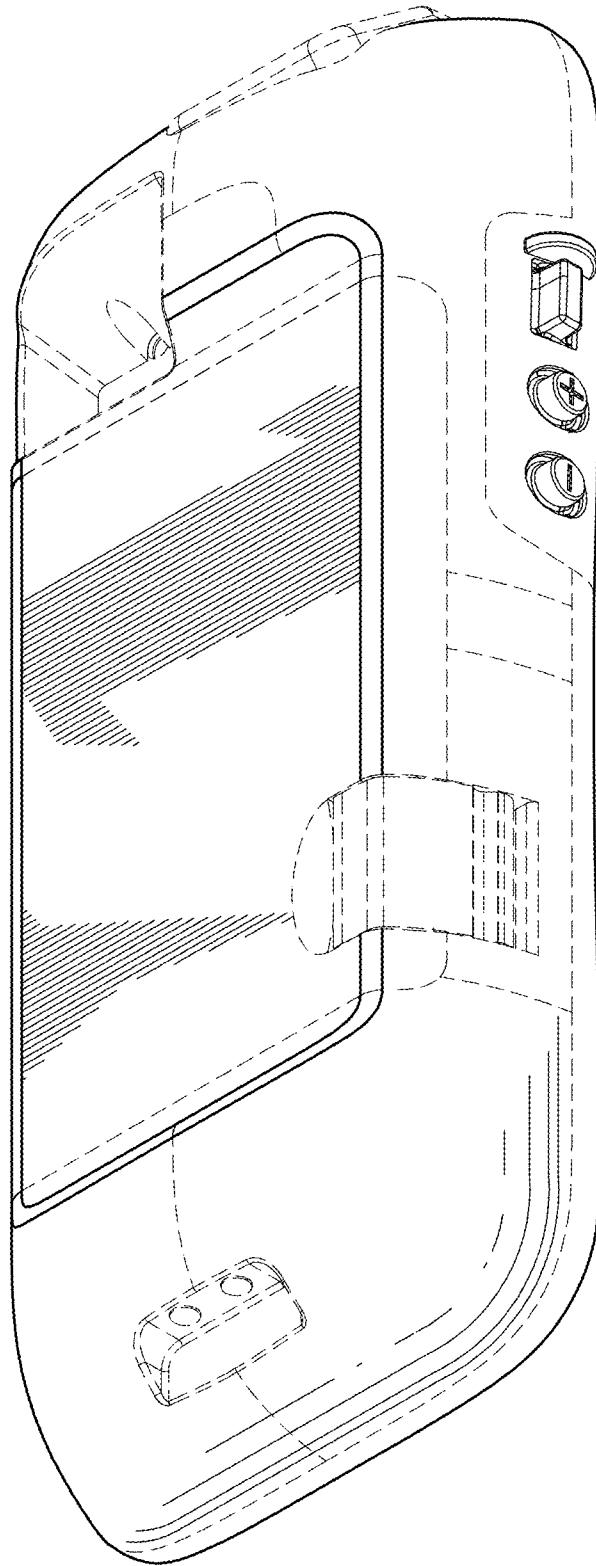


FIG. 2

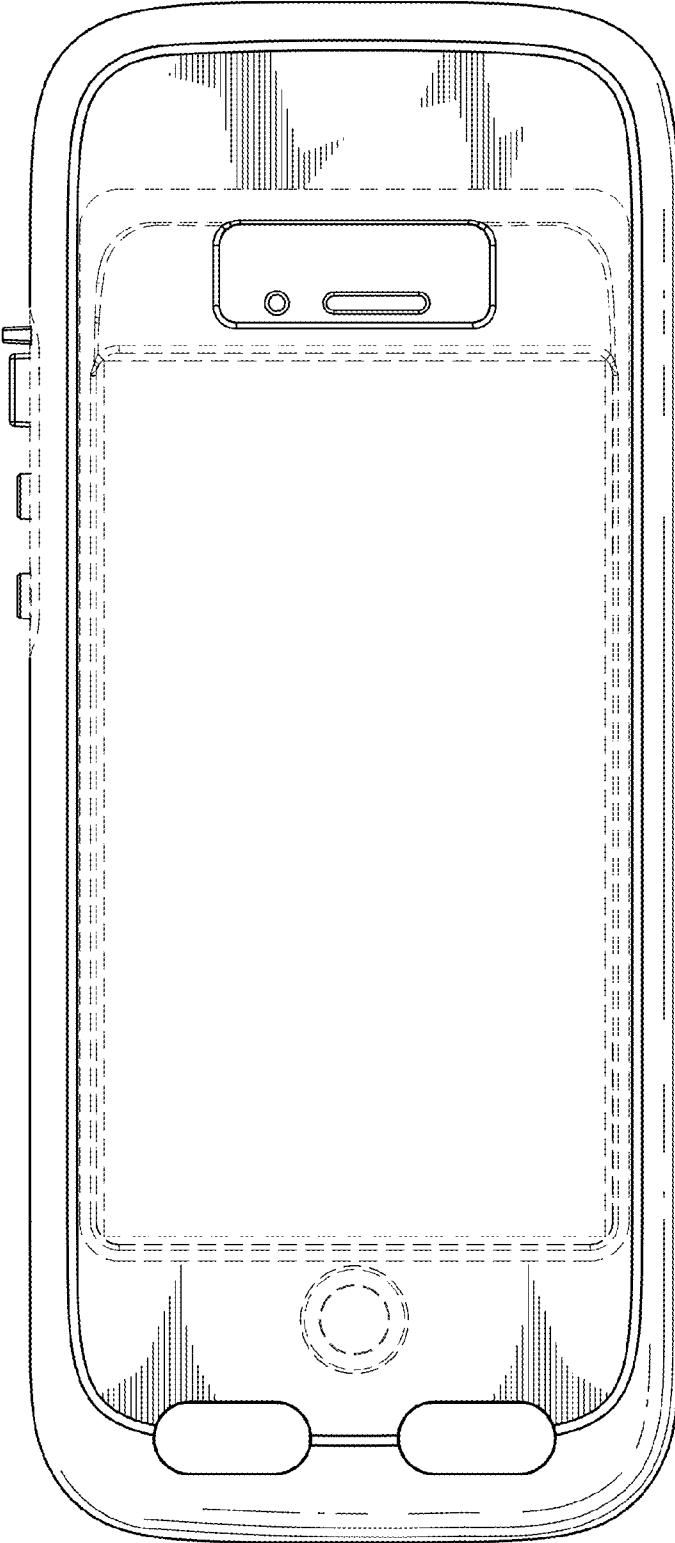


FIG. 3

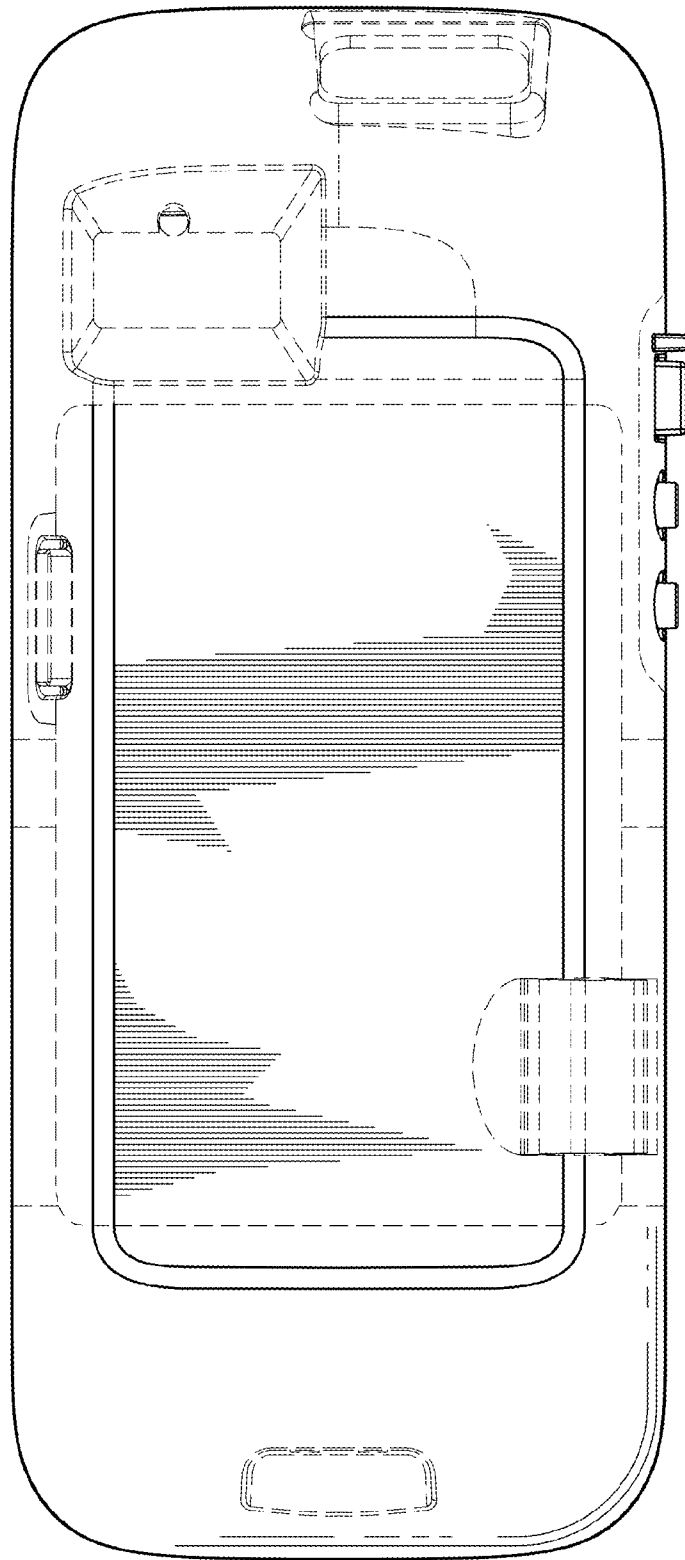


FIG. 4

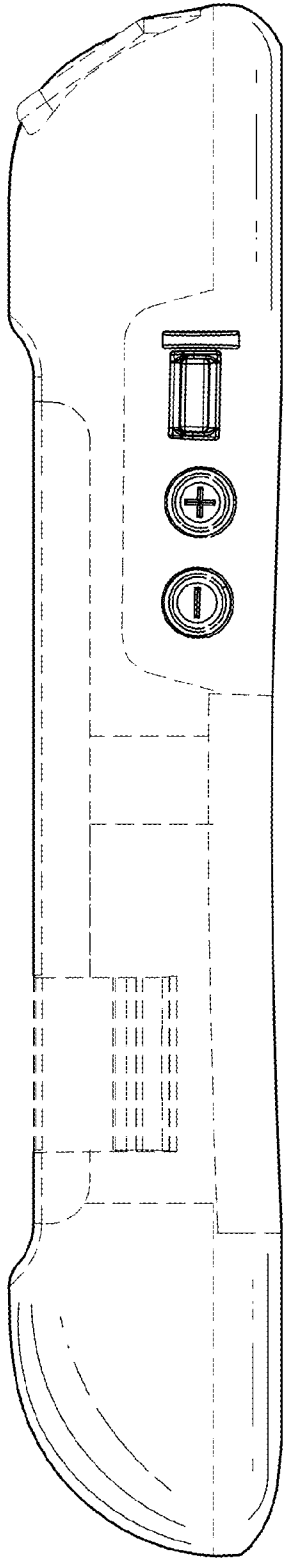


FIG. 5

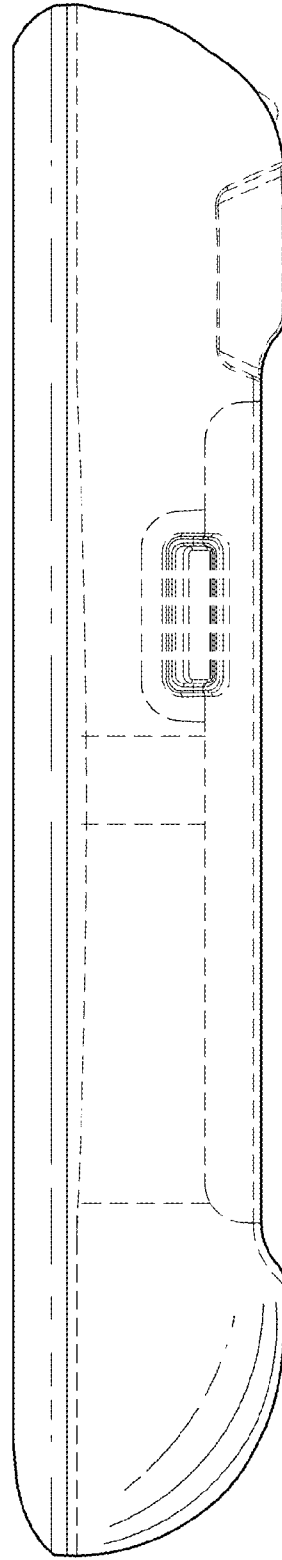


FIG. 6

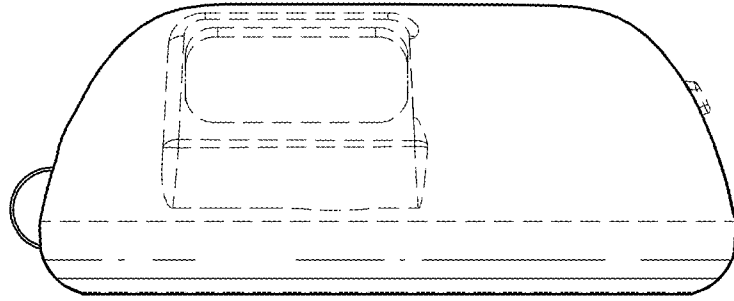


FIG. 7

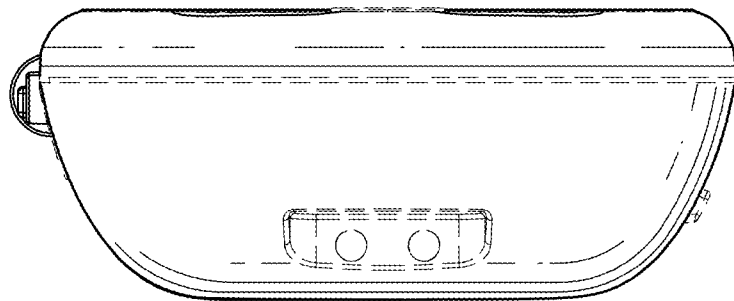


FIG. 8