



US00D741333S

(12) **United States Design Patent**
Aoyagi et al.

(10) **Patent No.:** **US D741,333 S**

(45) **Date of Patent:** **** Oct. 20, 2015**

(54) **COMPONENT FOR ELECTRONIC DEVICE**

(71) Applicant: **Apple Inc.**, Cupertino, CA (US)

(72) Inventors: **Shota Aoyagi**, San Francisco, CA (US);
Martin Auclair, Cupertino, CA (US);
Richard P. Howarth, San Francisco, CA (US);
Jared Kole, San Francisco, CA (US);
Scott A. Myers, San Francisco, CA (US);
David A. Pakula, San Francisco, CA (US)

(73) Assignee: **Apple Inc.**, Cupertino, CA (US)

(**) Term: **14 Years**

(21) Appl. No.: **29/501,052**

(22) Filed: **Aug. 29, 2014**

(51) **LOC (10) Cl.** **14-02**

(52) **U.S. Cl.**
USPC **D14/432**

(58) **Field of Classification Search**

USPC D14/300-302, 308-313, 314, 348,
D14/353-355, 432, 439-446, 240;
361/679.02, 679.31, 679.5, 690, 694,
361/679.23, 801, 802; 312/332.1, 334.1;
D13/162; D10/50
CPC A45C 11/00; A45C 2011/003; B60R
11/0241; B60R 11/0252; F16M 13/00; F16M
11/00

See application file for complete search history.

(56) **References Cited**

U.S. PATENT DOCUMENTS

D391,938 S * 3/1998 D'Agaro et al. D14/439
D485,562 S * 1/2004 Goto D14/439
D499,399 S * 12/2004 Hao D14/240
D556,204 S * 11/2007 Tosh et al. D14/439
D565,573 S * 4/2008 Alo et al. D14/439
D577,026 S * 9/2008 Wang et al. D14/439

D589,517 S * 3/2009 Chien et al. D14/439
D606,546 S * 12/2009 Morooka et al. D14/439
D607,459 S * 1/2010 Skillman et al. D14/439
8,238,595 B2 * 8/2012 Horowitz et al. 381/345
8,265,323 B2 * 9/2012 Stiehl et al. 381/371
D677,664 S * 3/2013 Akana et al. D14/439
D688,248 S * 8/2013 Tsuda et al. D14/439
D692,427 S * 10/2013 Janson D14/388
D702,242 S * 4/2014 Tsuda et al. D14/439
8,718,316 B2 * 5/2014 Much et al. 381/386
D729,809 S * 5/2015 Akana et al. D14/439
D732,540 S * 6/2015 Kang et al. D14/439
D735,726 S * 8/2015 Chen D14/439

* cited by examiner

Primary Examiner — Austin Murphy

(74) *Attorney, Agent, or Firm* — Sterne, Kessler, Goldstein & Fox P.L.L.C.

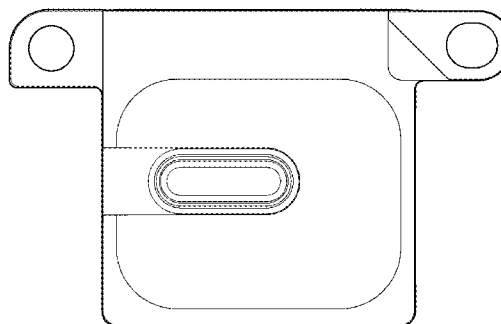
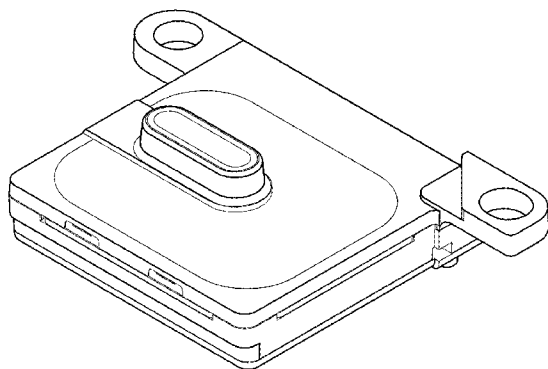
(57) **CLAIM**

The ornamental design for a component for electronic device, as shown and described.

DESCRIPTION

FIG. 1 is a front perspective view of a component for electronic device showing our new design;
FIG. 2 is a front view thereof;
FIG. 3 is a rear view thereof;
FIG. 4 is a left side view thereof;
FIG. 5 is a right side view thereof;
FIG. 6 is a top view thereof;
FIG. 7 is a bottom view thereof;
FIG. 8 is a front perspective view of another embodiment of a component for electronic device showing our new design;
FIG. 9 is a front view thereof;
FIG. 10 is a rear view thereof;
FIG. 11 is a left side view thereof;
FIG. 12 is a right side view thereof;
FIG. 13 is a top view thereof; and,
FIG. 14 is a bottom view thereof.

1 Claim, 14 Drawing Sheets



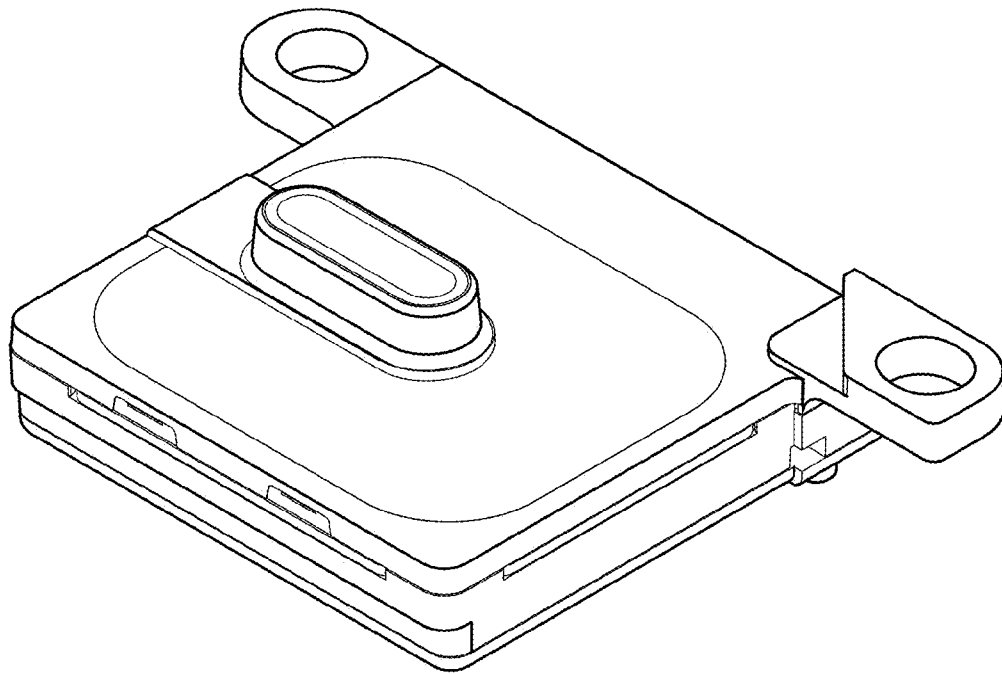


FIG. 1

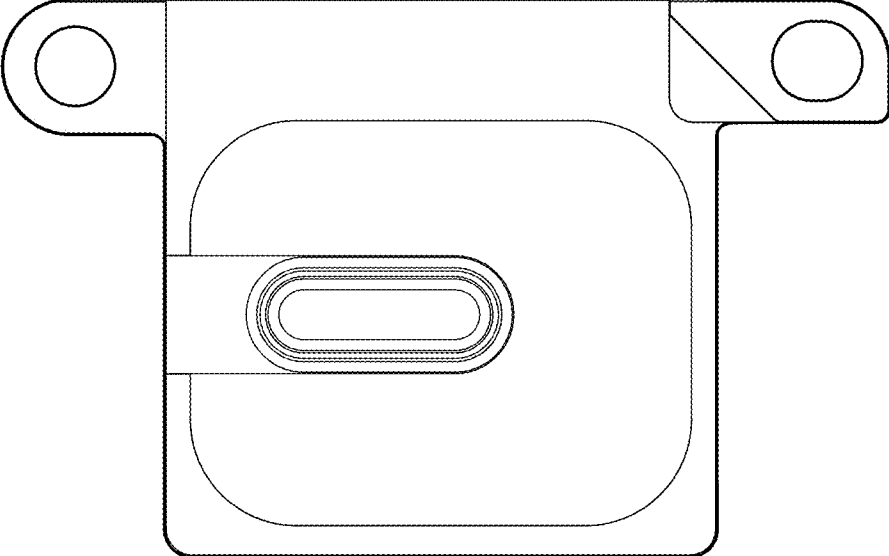


FIG.2

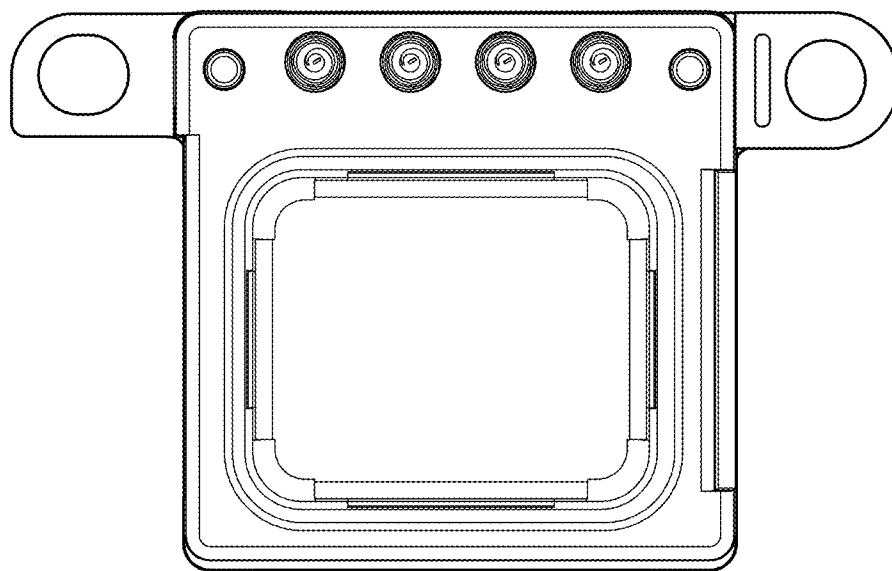


FIG.3

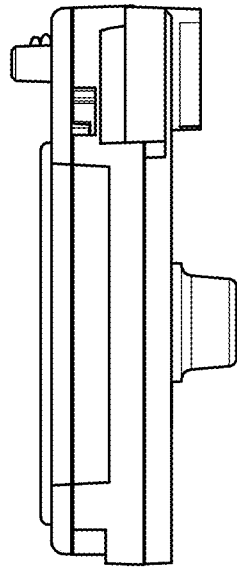


FIG. 4

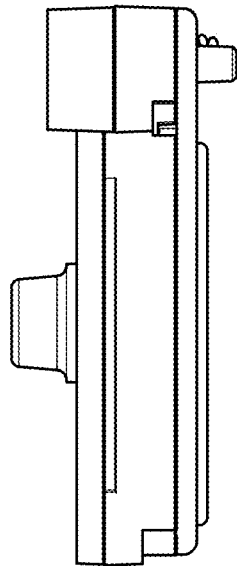


FIG.5

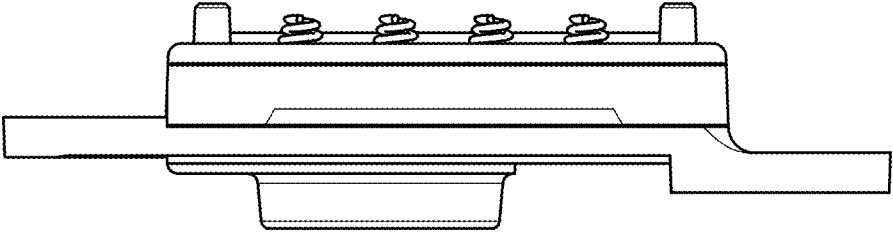


FIG.6

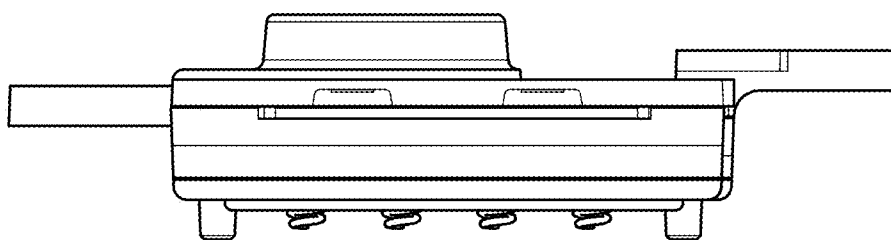


FIG. 7

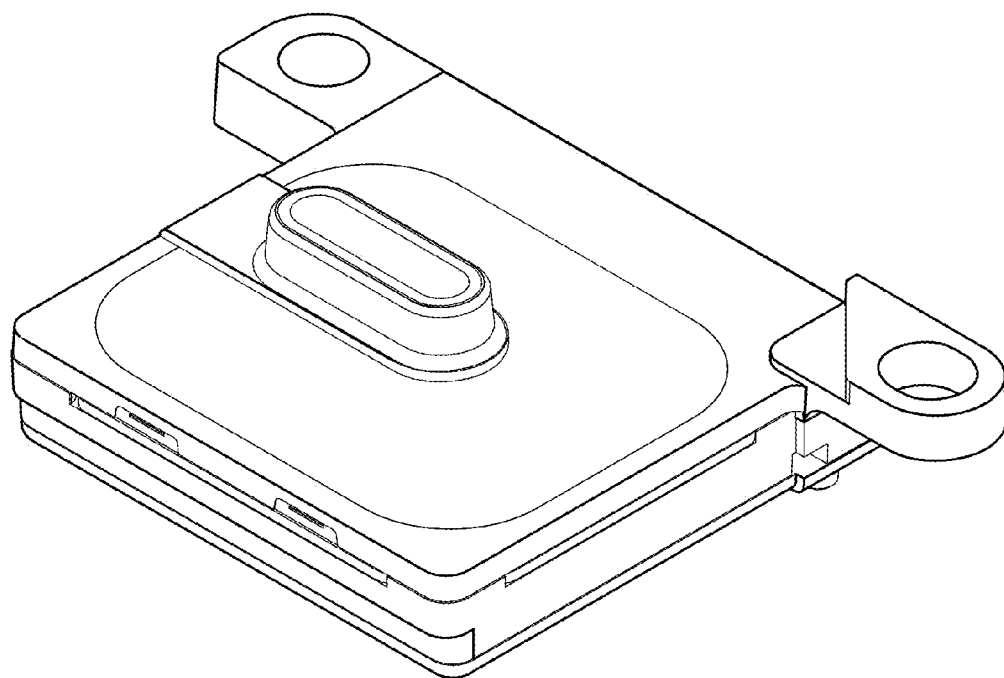


FIG. 8

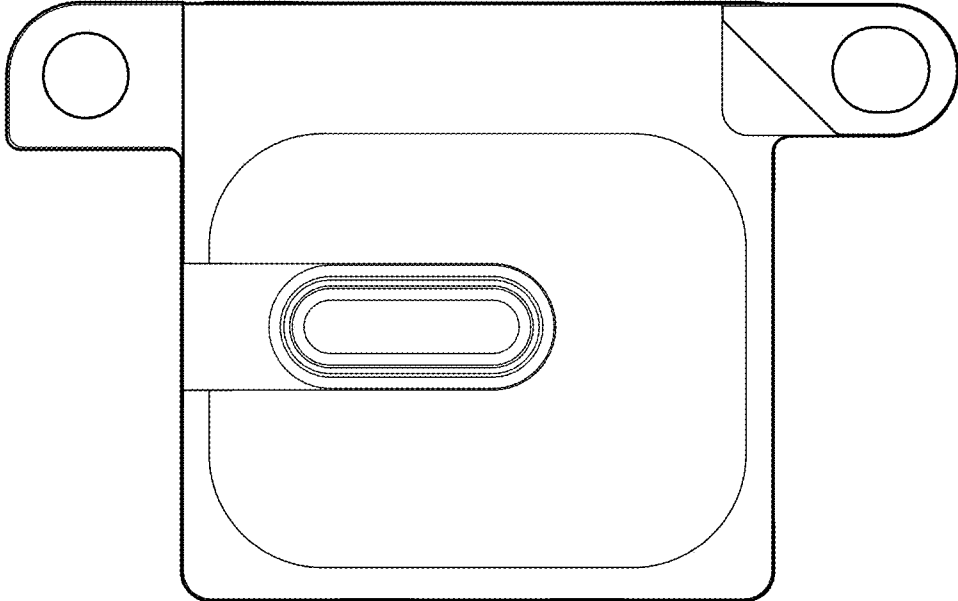


FIG.9

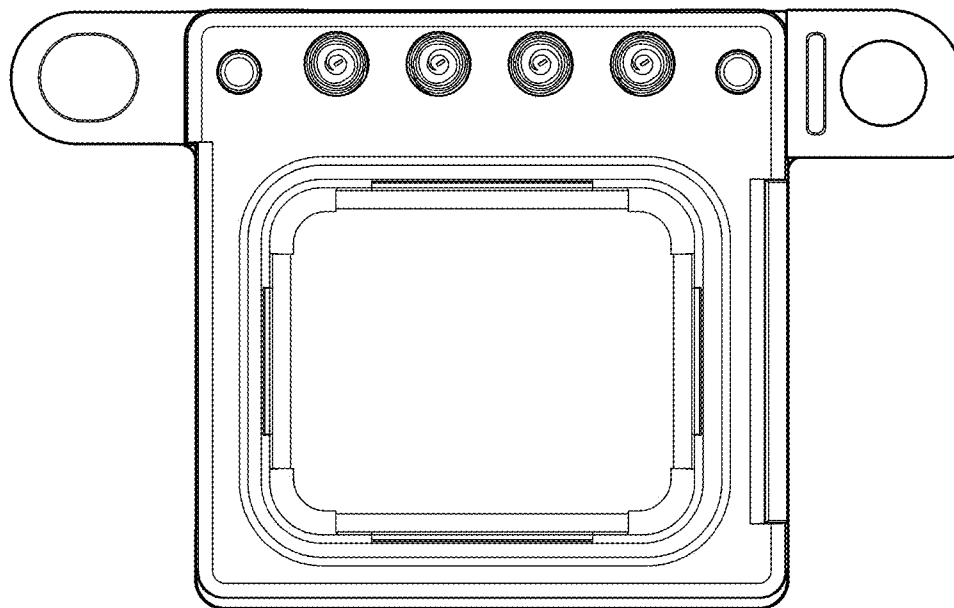


FIG.10

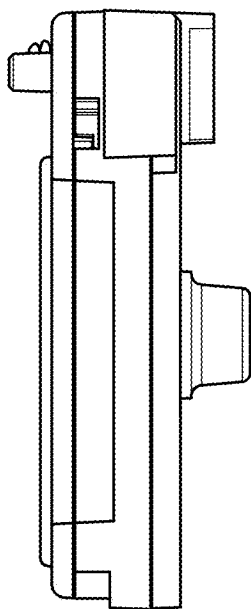


FIG.11

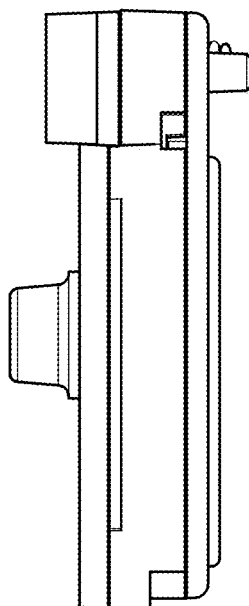


FIG.12

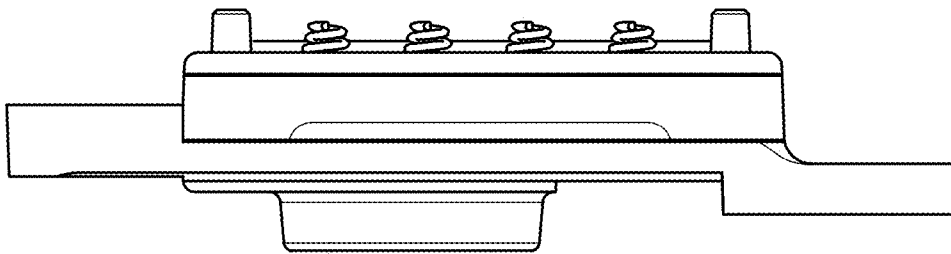


FIG.13

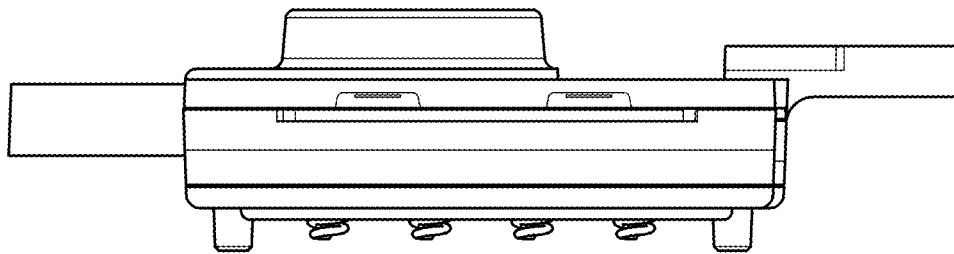


FIG.14