

[54] HEALTH WORKER'S FACE SHIELD

4,856,535 8/1989 Forbes 2/9

[76] Inventor: Judith A. Curry, 56 S. Railroad Ave., Mahwah, N.J. 07430

Primary Examiner—A. Hugo Word
Assistant Examiner—Ruth T. McInroy
Attorney, Agent, or Firm—Jerry T. Kearns

[**] Term: 14 Years

[57] CLAIM

[21] Appl. No.: 128,507

The ornamental design for a health worker's face shield, as shown and described.

[22] Filed: Dec. 3, 1987

[52] U.S. Cl. D29/17

[58] Field of Search D29/7-10,
D29/12, 15-18; 2/8-12, 15, 206, 417-418, 424;
128/206.14, 132 R

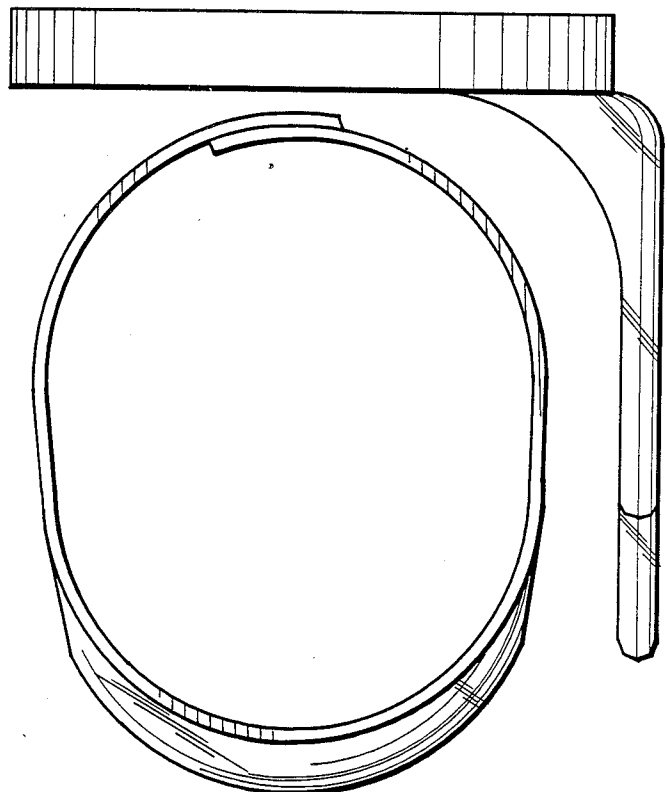
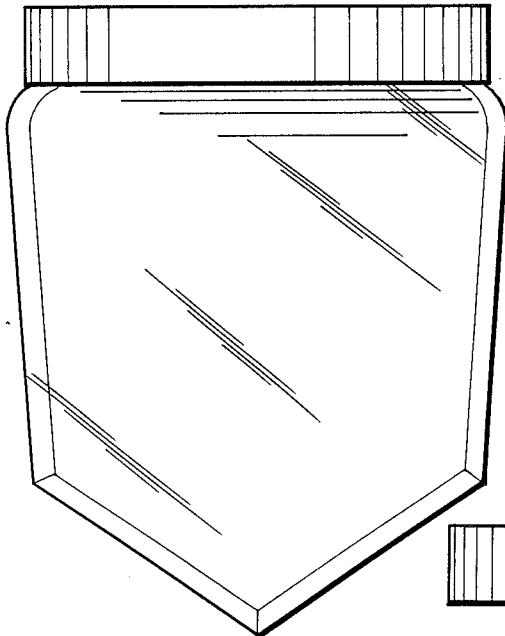
DESCRIPTION

[56] References Cited

U.S. PATENT DOCUMENTS

3,310,812 3/1967 Gaiser 2/9
3,828,366 8/1974 Conrad et al. 2/9

FIG. 1 is a front elevational view of a health worker's face shield showing my new design;
FIG. 2 is a rear elevational view thereof;
FIG. 3 is a left side elevational view thereof;
FIG. 4 is a right side elevational view thereof;
FIG. 5 is a top plan view thereof; and,
FIG. 6 is a bottom plan view thereof.



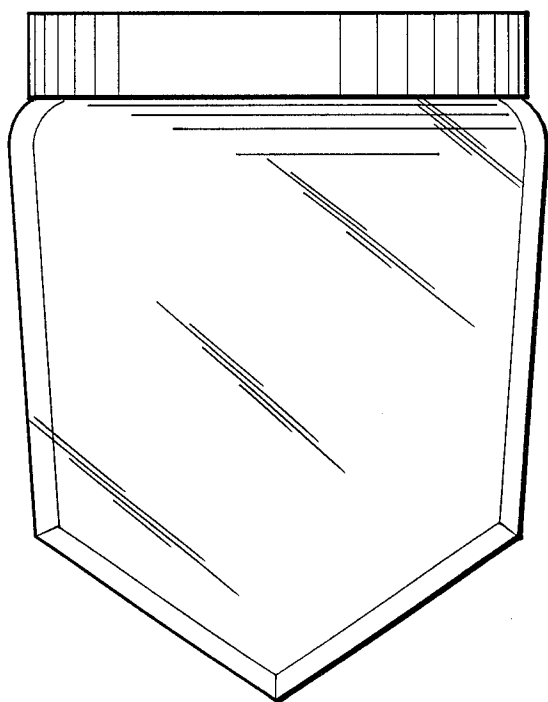


Fig. 1

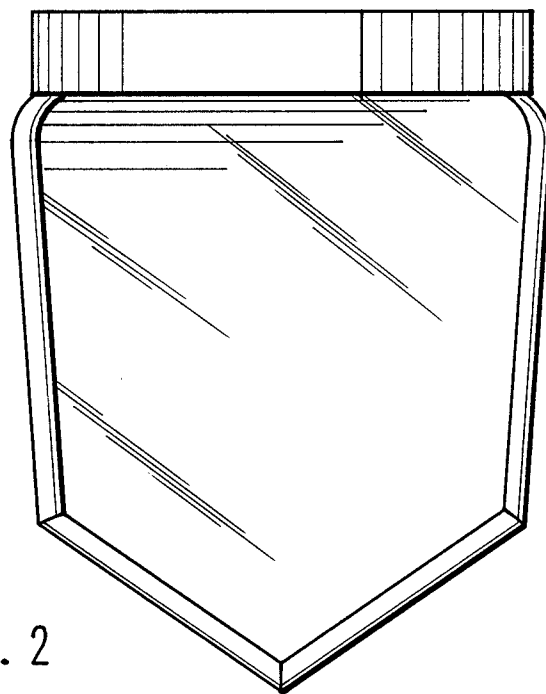


Fig. 2

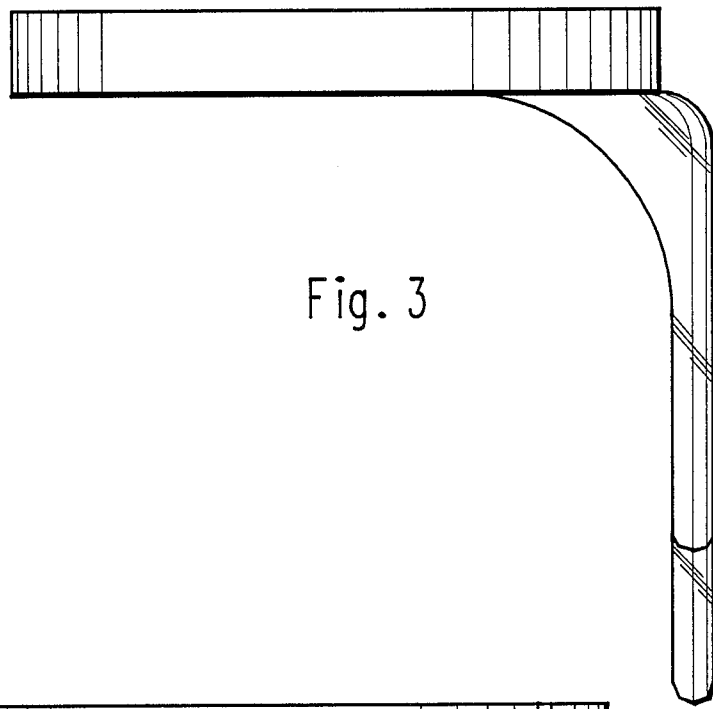


Fig. 3

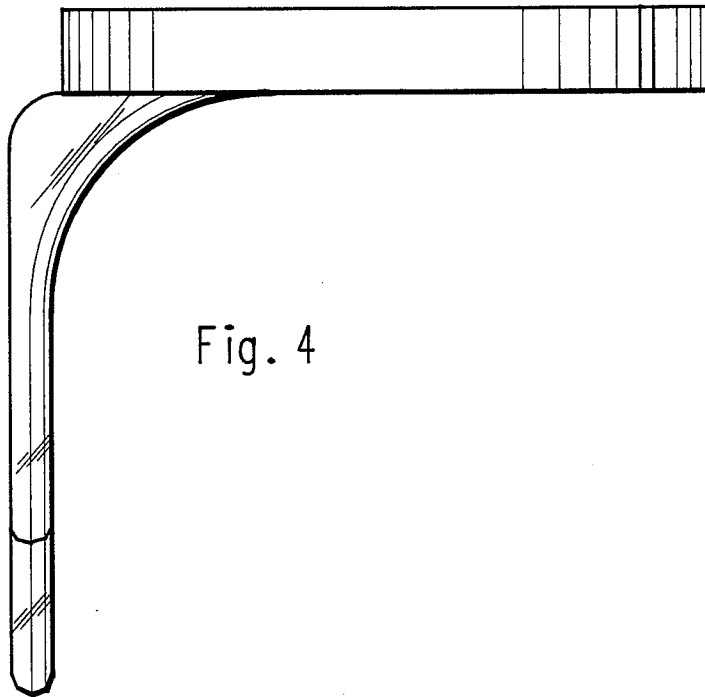


Fig. 4

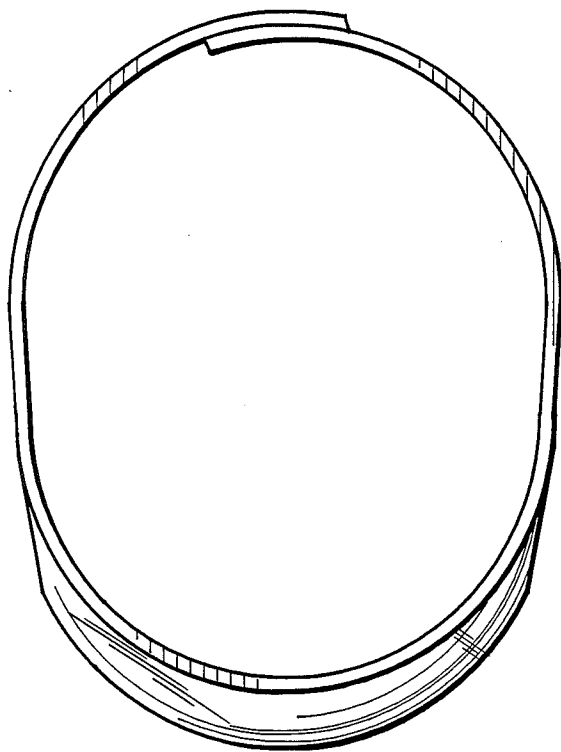


Fig. 5

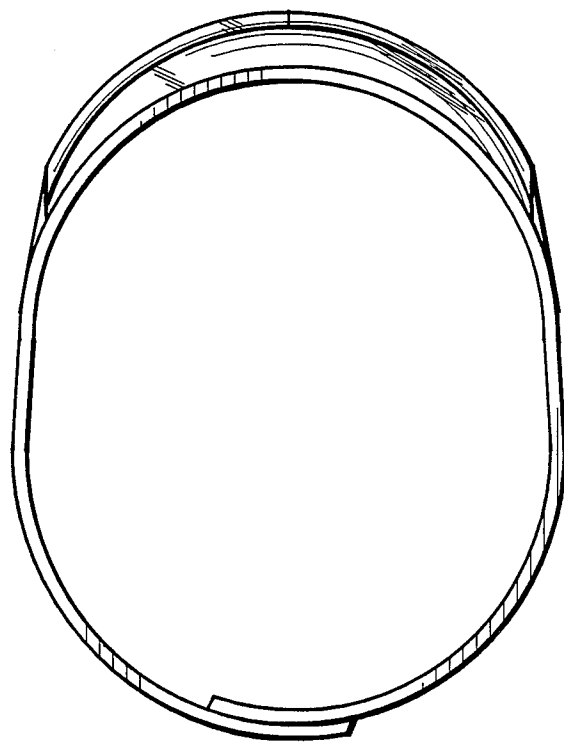


Fig. 6