



US00D644941S

(12) **United States Design Patent**
Hermans

(10) **Patent No.:** **US D644,941 S**

(45) **Date of Patent:** **** Sep. 13, 2011**

(54) **CONTAINER**

(75) Inventor: **Lucas Hermans**, Stockholm (SE)

(73) Assignee: **Fiedler & Lundgren AB**, Malmo (SE)

(**) Term: **14 Years**

(21) Appl. No.: **29/361,175**

(22) Filed: **May 6, 2010**

(51) **LOC (9) Cl.** **09-03**

(52) **U.S. Cl.** **D9/772**

(58) **Field of Classification Search** D9/500,
D9/501, 503, 504, 730, 763, 772, 779, 780;
220/4.27, 521, 784; 215/321

See application file for complete search history.

(56) **References Cited**

U.S. PATENT DOCUMENTS

4,165,815	A	*	8/1979	Vetter	220/4.27
D352,896	S	*	11/1994	Jones	D9/503
D512,636	S	*	12/2005	Pace	D9/504
D513,386	S	*	1/2006	Pace et al.	D9/504

D514,936	S	*	2/2006	Pace et al.	D9/504
D515,426	S	*	2/2006	Pace et al.	D9/504
D515,928	S	*	2/2006	Pace	D9/504
D531,036	S	*	10/2006	Bried et al.	D9/504
D617,210	S	*	6/2010	Abolfazlian et al.	D9/772

* cited by examiner

Primary Examiner — Shanda C Hill

(74) *Attorney, Agent, or Firm* — Chadbourne & Parke LLP;
Walter G. Hanchuk

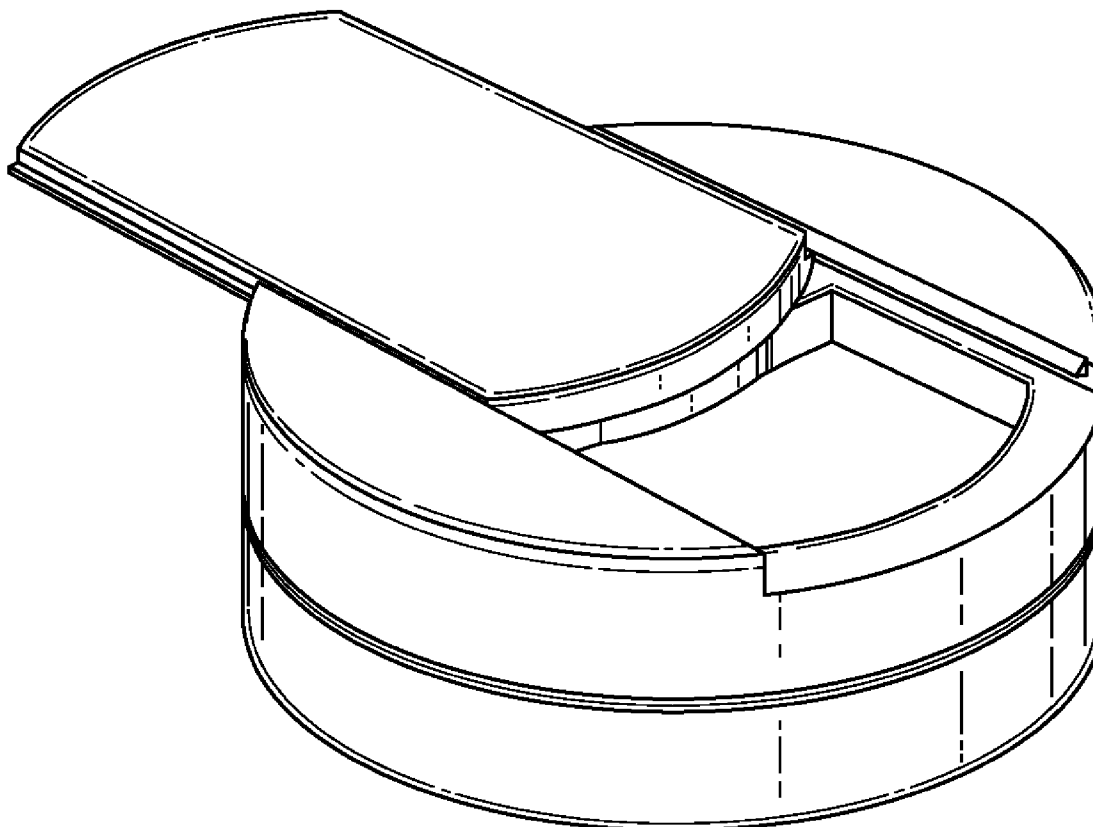
(57) **CLAIM**

The ornamental design for container, as shown and described.

DESCRIPTION

FIG. 1 is a front, top, perspective view of a first embodiment of a container showing my new design;
FIG. 2 is a top view thereof;
FIG. 3 is a bottom view thereof;
FIG. 4 is a front side view thereof;
FIG. 5 is a left side view thereof;
FIG. 6 is a rear side view thereof; and,
FIG. 7 is a right side view thereof.

1 Claim, 2 Drawing Sheets



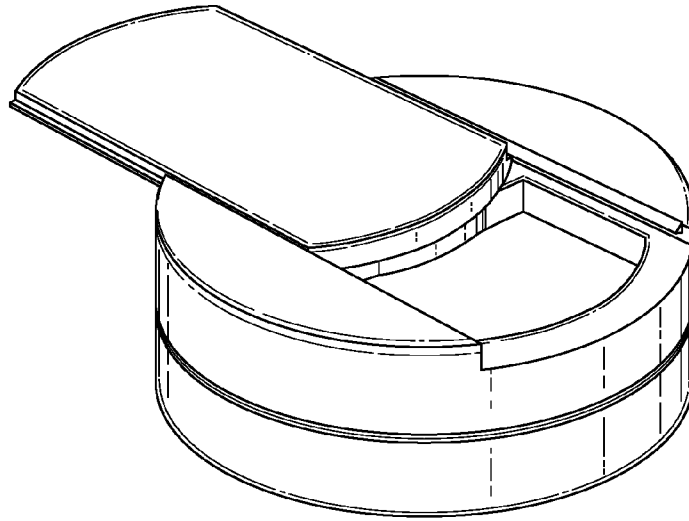


FIGURE 1

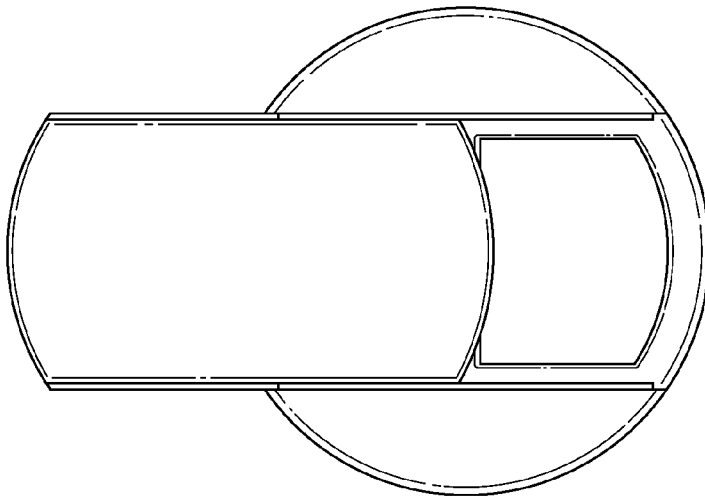


FIGURE 2

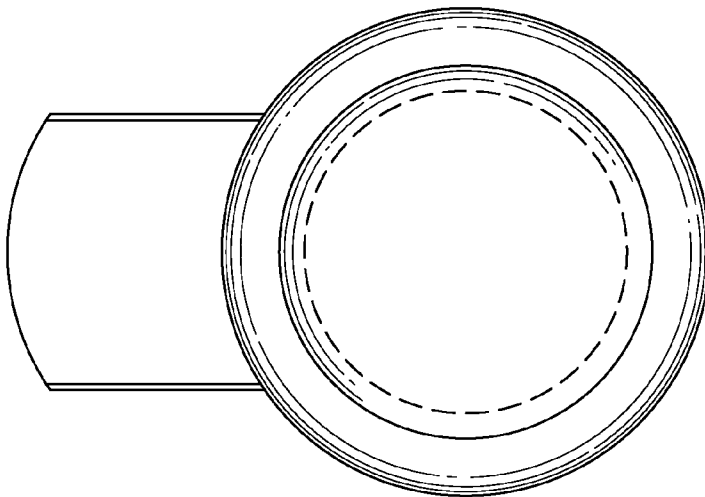


FIGURE 3

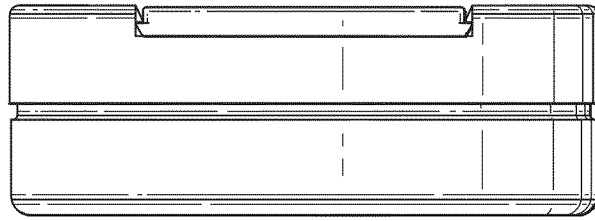


FIGURE 4

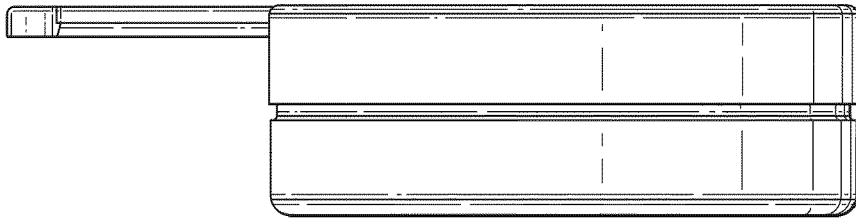


FIGURE 5

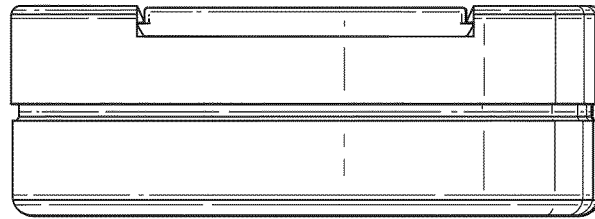


FIGURE 6

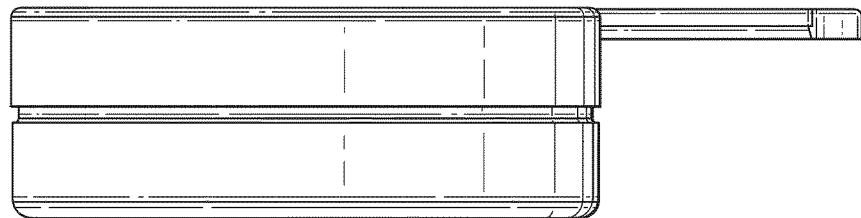


FIGURE 7

UNITED STATES PATENT AND TRADEMARK OFFICE
CERTIFICATE OF CORRECTION

PATENT NO. : D644,941 S
APPLICATION NO. : 29/361175
DATED : September 13, 2011
INVENTOR(S) : Lucas Hermans

Page 1 of 1

It is certified that error appears in the above-identified patent and that said Letters Patent is hereby corrected as shown below:

On the title page:

Add item -- (30) Foreign Application Priority Data
November 9, 2009 (EU) 001633777 --

Signed and Sealed this
Tenth Day of January, 2012

A handwritten signature in black ink that reads "David J. Kappos". The signature is written in a cursive, slightly slanted style.

David J. Kappos
Director of the United States Patent and Trademark Office