



US00D500160S

(12) **United States Design Patent**
Bucher et al.

(10) **Patent No.:** **US D500,160 S**

(45) **Date of Patent:** **** Dec. 21, 2004**

(54) **COMBINATION SOLAR POWERED
OUTDOOR LANTERN AND STAKE MOUNT**

D469,907 S * 2/2003 Chen D26/67
D475,797 S * 6/2003 Cheong D26/37
D478,684 S * 8/2003 DiPasquale et al. D26/72

(75) Inventors: **Charles E. Bucher**, Valrico, FL (US);
John C. Bucher, Ft. Lauderdale, FL
(US)

(73) Assignee: **King of Fans, Inc.**, Ft. Lauderdale, FL
(US)

(**) Term: **14 Years**

(21) Appl. No.: **29/193,355**

(22) Filed: **Nov. 7, 2003**

Related U.S. Application Data

(62) Division of application No. 29/183,984, filed on Jun. 19,
2003.

(51) **LOC (7) Cl.** **26-05**

(52) **U.S. Cl.** **D26/71**

(58) **Field of Search** D26/24, 67-73,
D26/80, 82, 84-92, 128; 362/145, 147,
153, 153.1, 186, 257, 276, 312, 330, 351,
354, 358, 361-363, 431-433, 806

(56) **References Cited**

U.S. PATENT DOCUMENTS

D421,504 S 3/2000 Meck et al. D26/67
D421,814 S 3/2000 Meck et al. D26/67
D422,106 S 3/2000 Meck et al. D26/87
D427,352 S 6/2000 Miranda D26/72
6,305,826 B1 * 10/2001 Yang 362/351
D458,702 S * 6/2002 Ellis D26/68
D468,470 S * 1/2003 Chen D26/67

OTHER PUBLICATIONS

Design House Lighting Catalog; p. 116; item 6096VG/
6099BZ.*

Rockscapes, Inc. Landscape Illumination Catalog; p. 25;
item H91-7-AZMW.*

Intermatic Incorporated, Intermatic website. Copyright
2000; Malibu lighting, 10 pages, Jun. 13, 2003.

Intermatic Home Page, Intermatic website. Copyright 2003;
Malibu lighting, 34 pages, Jun. 13, 2003.

* cited by examiner

Primary Examiner—Clare E Heflin

(74) *Attorney, Agent, or Firm*—Brian S. Steinberger; Law
Offices of Brian S. Steinberger, P.A.

(57) **CLAIM**

The ornamental design of a combination solar powered
outdoor lantern and stake mount, as shown and described.

DESCRIPTION

FIG. 1 is a perspective view of a solar powered outdoor
lantern showing our new design with the stake mount being
shown broken away to depict indeterminate length.

FIG. 2 is a front view thereof.

FIG. 3 is an enlarged top plan view of the lamp portion
thereof, the stake mount being removed for ease of illustra-
tion only; and,

FIG. 4 is an enlarged bottom plan view of the lamp portion
thereof, the stake mount being removed for ease of illustra-
tion only.

1 Claim, 4 Drawing Sheets

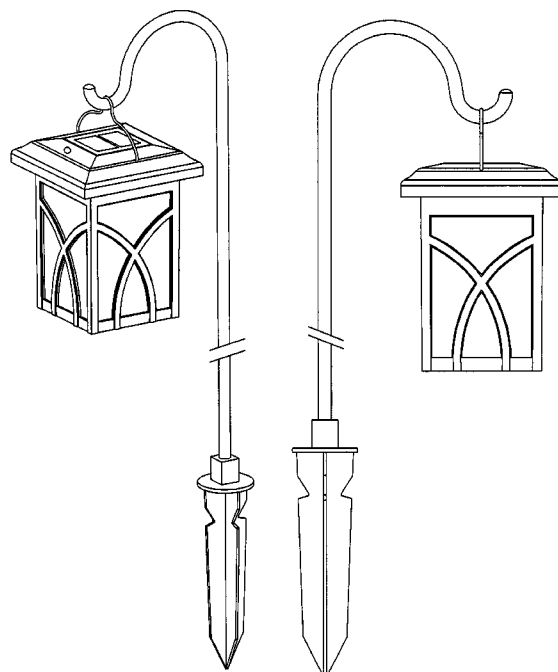


Fig.1

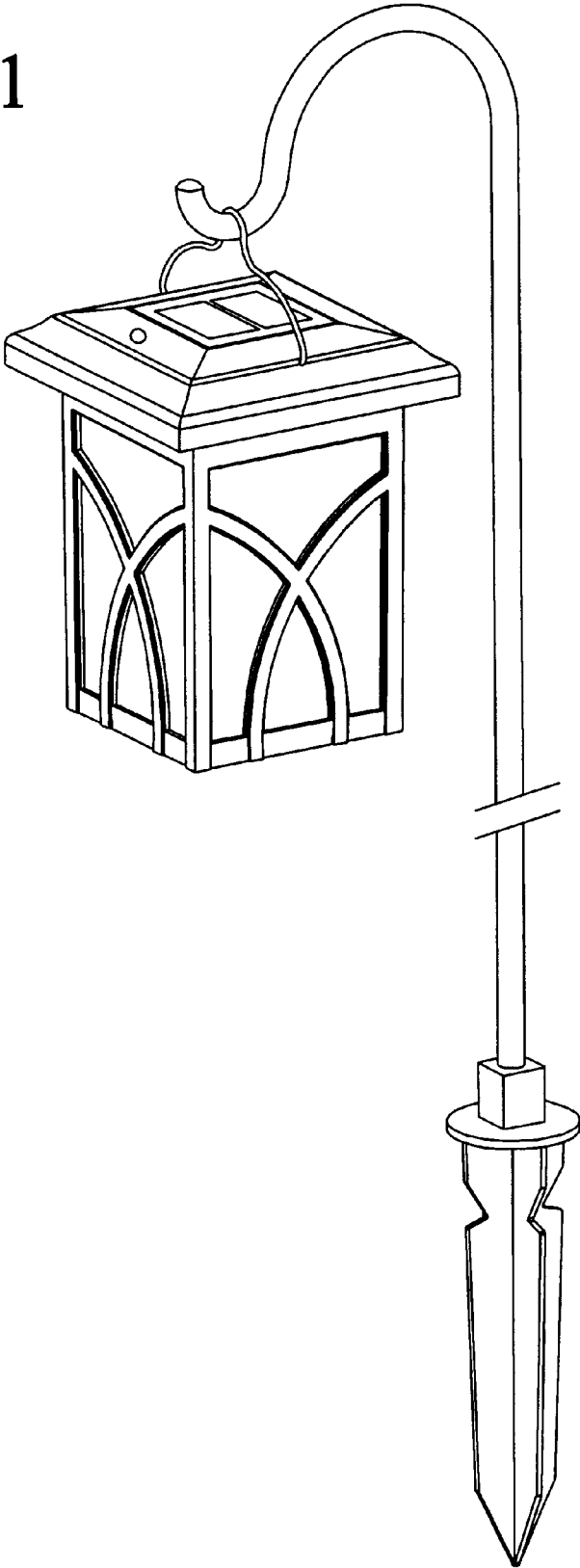


Fig.2

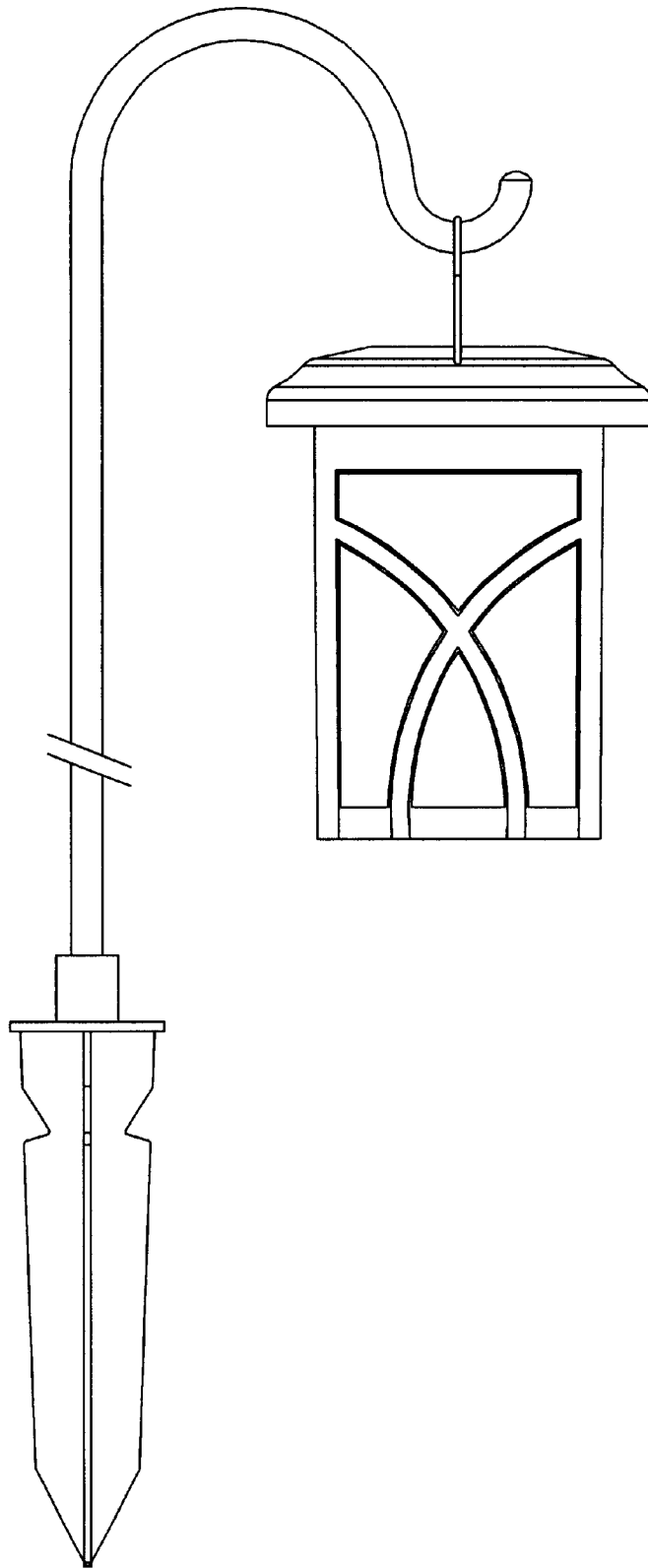


Fig.3

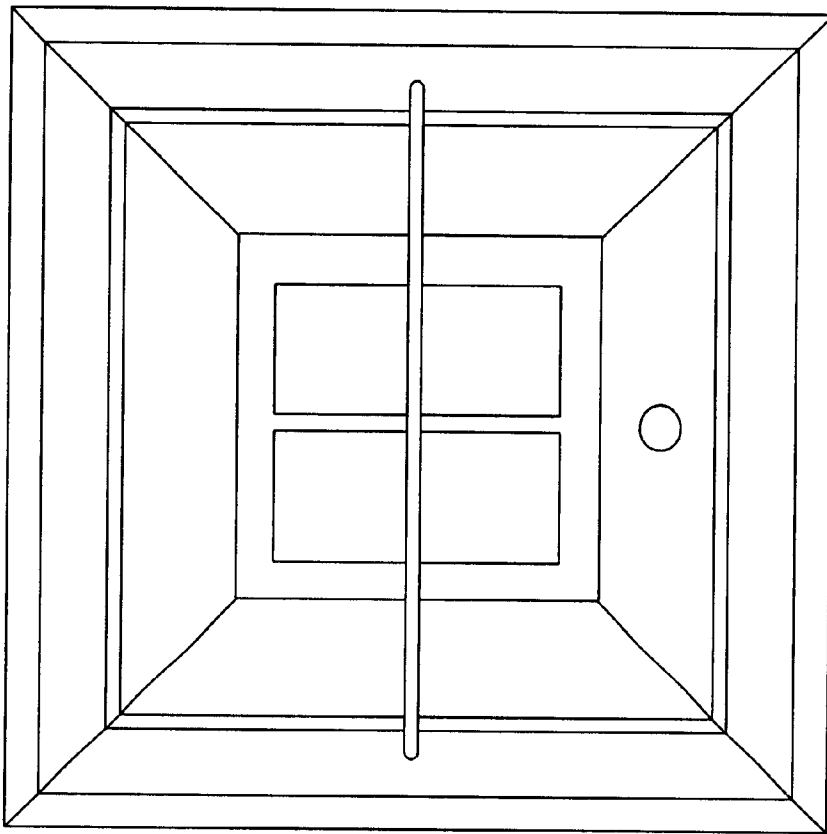


Fig.4

