



US00D363132S

# United States Patent [19]

[11] Patent Number: **Des. 363,132**

**Simon**

[45] Date of Patent: **\*\*Oct. 10, 1995**

[54] **HEADRAIL EXTRUSION FOR WINDOW TREATMENT**

*Primary Examiner*—Doris Clark  
*Attorney, Agent, or Firm*—Lerner, David, Littenberg, Krumholz & Mentlik

[75] Inventor: **Terry Simon**, West Olive, Mich.

[57] **CLAIM**

[73] Assignee: **Jencraft Corporation**, Totowa, N.J.

The design for a headrail extrusion for window treatment, as shown and described.

[\*\*] Term: **14 Years**

**DESCRIPTION**

[21] Appl. No.: **31,920**

FIG. 1 is a perspective view, taken slightly from above, of a headrail extrusion for window treatment showing my new design;

[22] Filed: **Dec. 8, 1994**

[52] U.S. Cl. .... **D25/119**

FIG. 2 is a right side elevational view thereof, the left side elevational view being a mirror image thereof;

[58] Field of Search ..... D25/119, 125, D25/52; 49/504, DIG. 1, 22; 52/204.5

FIG. 3 is a rear elevational view;

[56] **References Cited**

**U.S. PATENT DOCUMENTS**

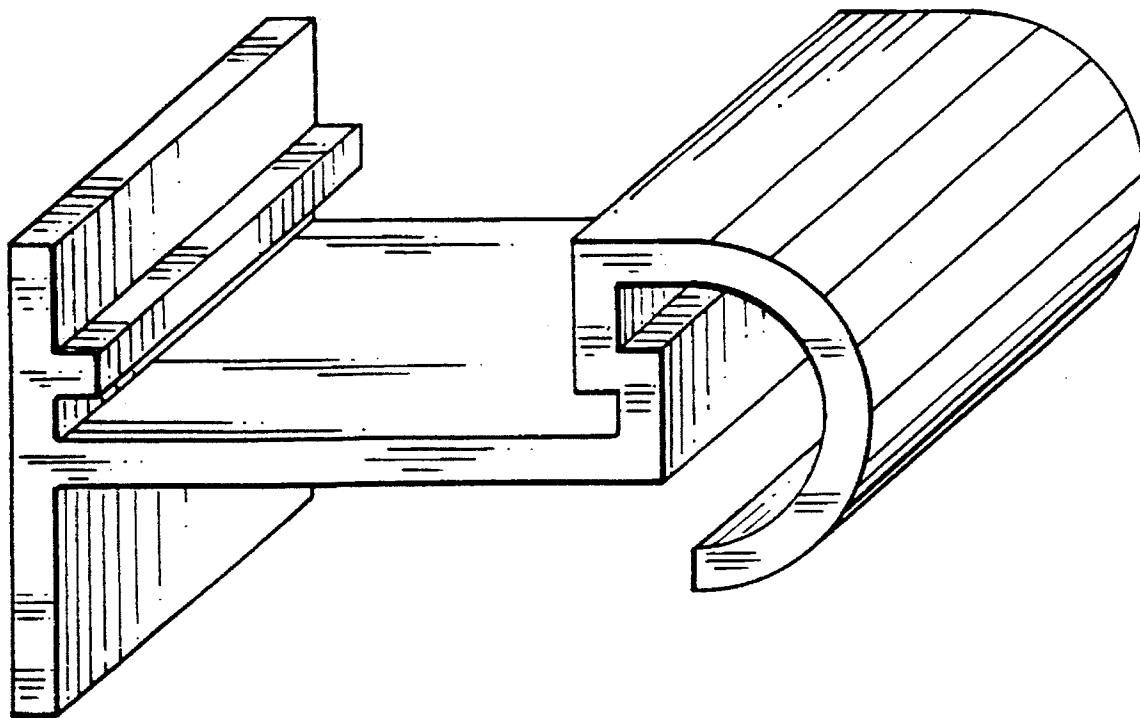
FIG. 4 is a front elevational view;

FIG. 5 is a top plan elevational view; and,

FIG. 6 is a bottom plan elevational view.

- D. 344,808 3/1994 Ehmke et al. .... D25/119
- 4,827,685 5/1989 Schmidt ..... 49/DIG. 1

**1 Claim, 3 Drawing Sheets**



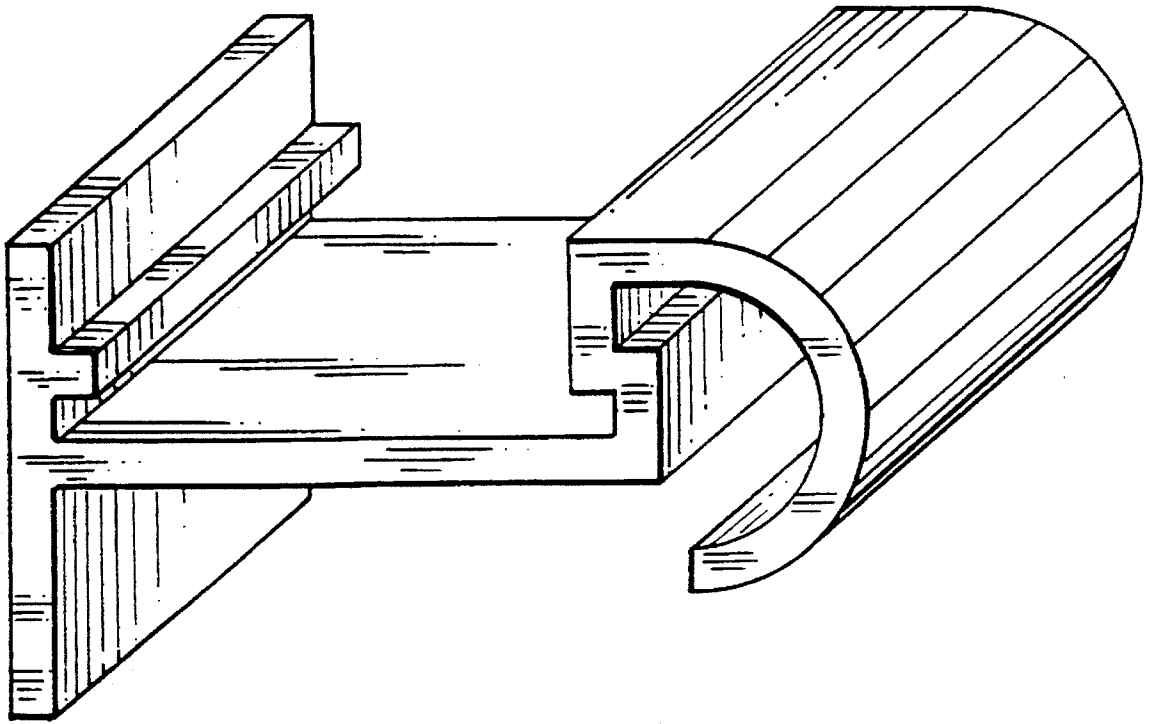


FIG. 1

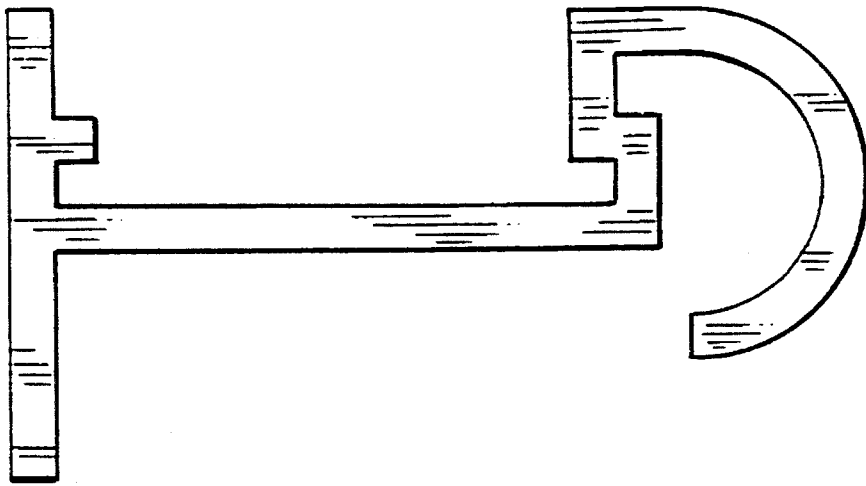


FIG. 2

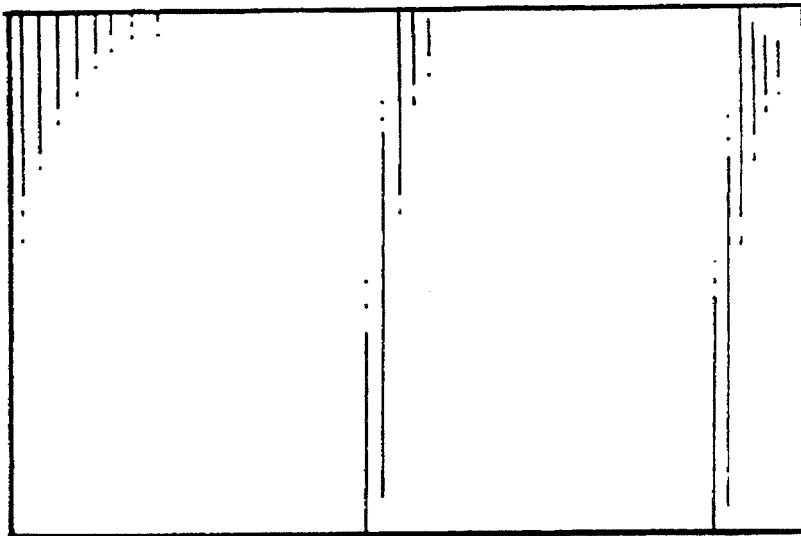


FIG. 3

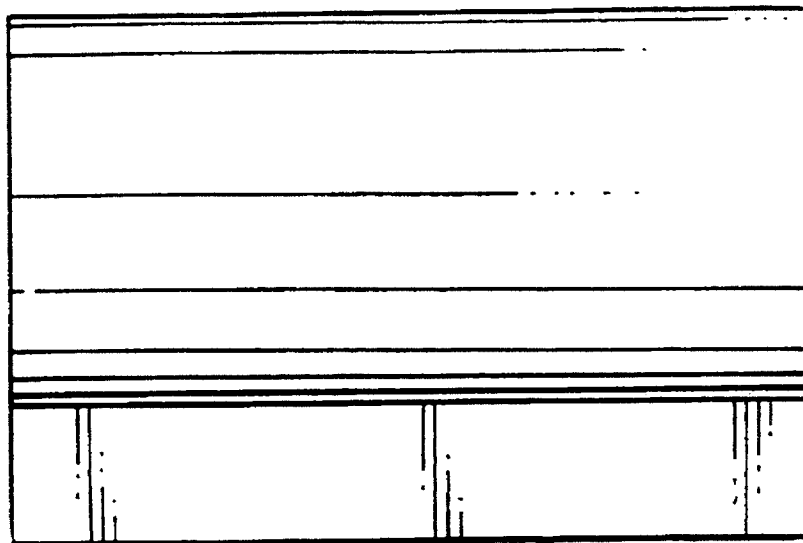


FIG. 4

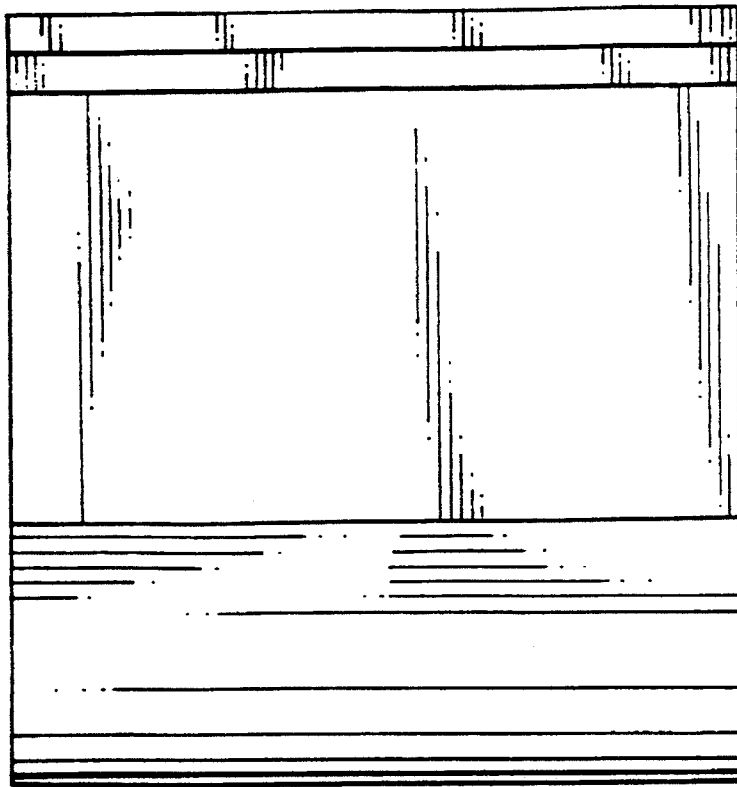


FIG. 5

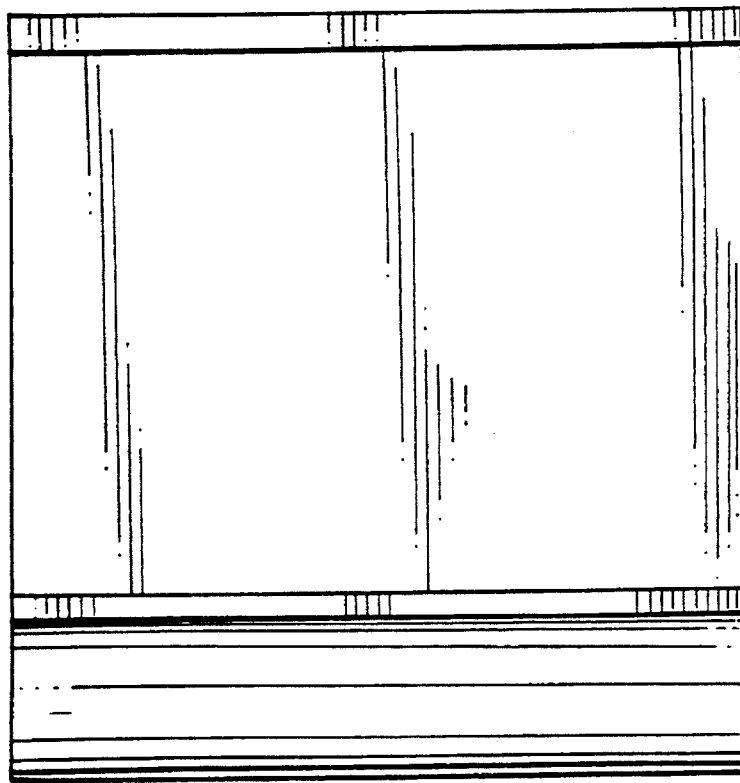


FIG. 6