



US00D715943S

(12) **United States Design Patent**  
**Zhang et al.**

(10) **Patent No.:** **US D715,943 S**

(45) **Date of Patent:** **\*\* Oct. 21, 2014**

(54) **COMPUTED TOMOGRAPHY EQUIPMENT**

(71) Applicant: **Shanghai United Imaging Healthcare Co., Ltd.**, Shanghai (CN)

(72) Inventors: **Jun Zhang**, Shanghai (CN); **Anthony Oh Kok Chong**, Shanghai (CN)

(73) Assignee: **Shanghai United Imaging Healthcare Co., Ltd.**, Shanghai (CN)

(\*\*) Term: **14 Years**

(21) Appl. No.: **29/444,589**

(22) Filed: **Jan. 31, 2013**

(30) **Foreign Application Priority Data**

Sep. 5, 2012 (CN) ..... 2012 3 0436310

(51) **LOC (10) Cl.** ..... **24-01**

(52) **U.S. Cl.**  
USPC ..... **D24/159**

(58) **Field of Classification Search**

USPC ..... D24/158-161, 185, 186; 378/4, 15, 17,  
378/20, 21, 23-27, 62, 68, 146, 195-198,  
378/57; 600/410, 421, 422

See application file for complete search history.

(56) **References Cited**

**U.S. PATENT DOCUMENTS**

D414,868 S \* 10/1999 Baars ..... D24/158  
D420,134 S \* 2/2000 Kitayama ..... D24/159

D527,105 S \* 8/2006 Kitayama et al. .... D24/158  
D557,418 S \* 12/2007 Onuma et al. .... D24/158  
D659,248 S \* 5/2012 Ramos ..... D24/159  
D678,527 S \* 3/2013 Boninger ..... D24/158

\* cited by examiner

*Primary Examiner* — Anhdao Doan

(74) *Attorney, Agent, or Firm* — Houtteman Law LLC

(57) **CLAIM**

The ornamental design for a computed tomography equipment, as shown and described.

**DESCRIPTION**

FIG. 1 is a perspective view of a computed tomography equipment showing my new design;

FIG. 2 is a front side view of the computed tomography equipment shown in FIG. 1;

FIG. 3 is a rear side view of the computed tomography equipment shown in FIG. 1;

FIG. 4 is a right side view of the computed tomography equipment shown in FIG. 1;

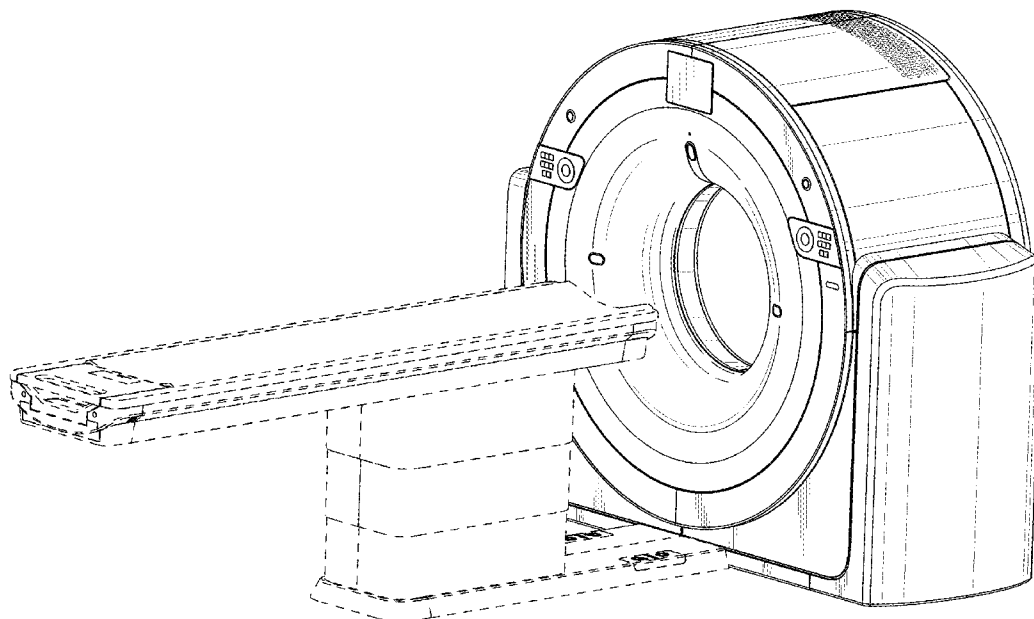
FIG. 5 is a left side view of the computed tomography equipment shown in FIG. 1;

FIG. 6 is a top view of the computed tomography equipment shown in FIG. 1; and,

FIG. 7 is a bottom view of the computed tomography equipment shown in FIG. 1.

The portions of the computed tomography equipment shown in broken lines form no part of the claimed design.

**1 Claim, 7 Drawing Sheets**



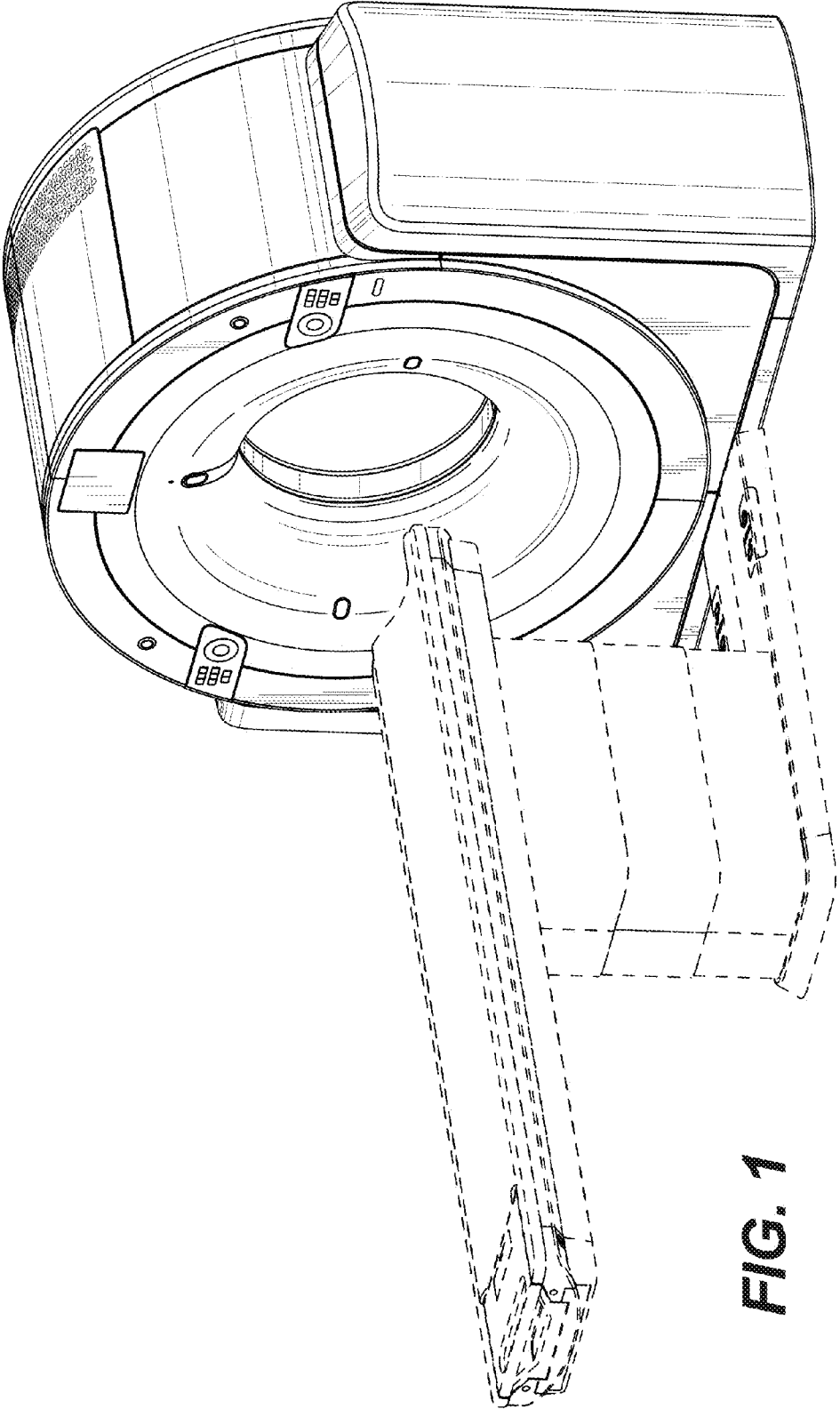


FIG. 1

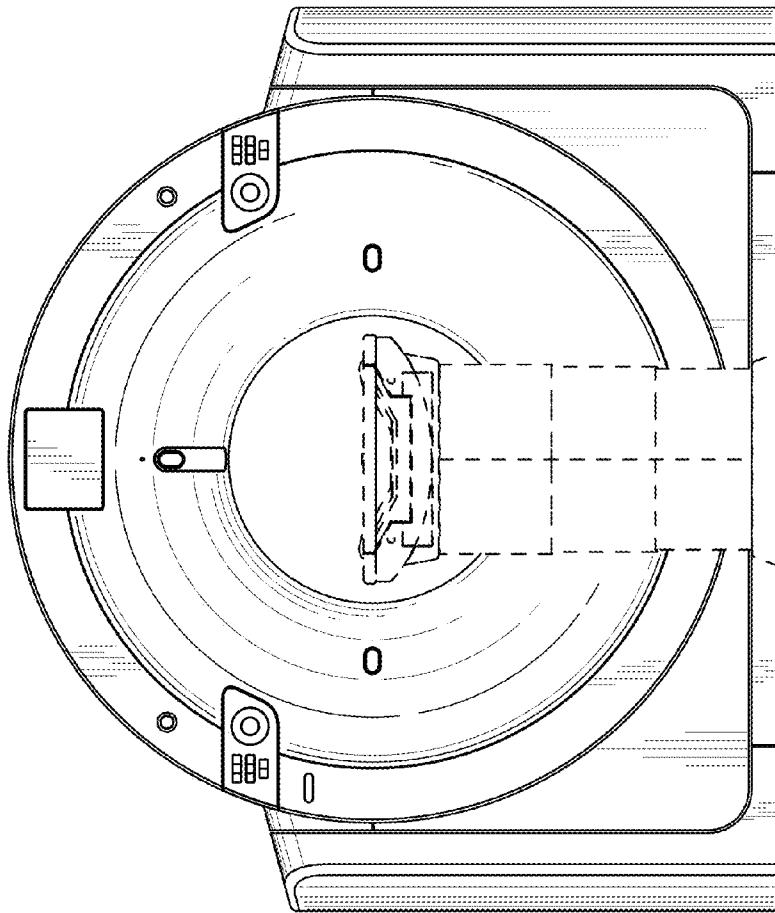


FIG. 2

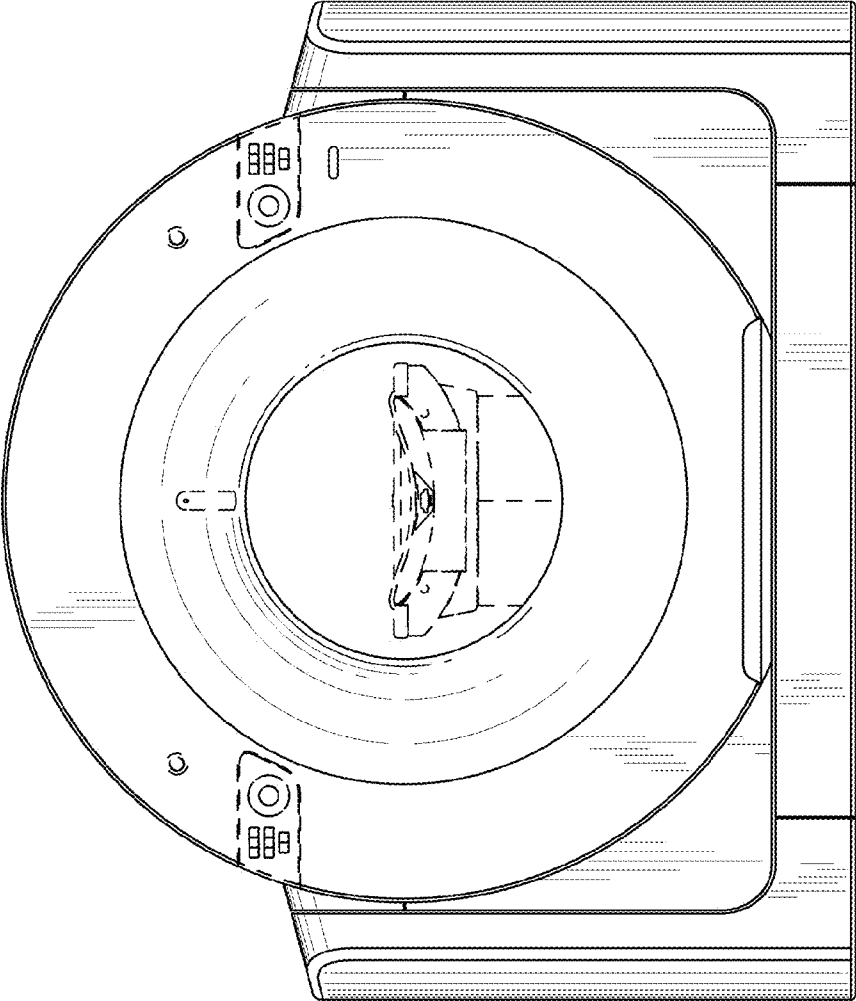


FIG. 3

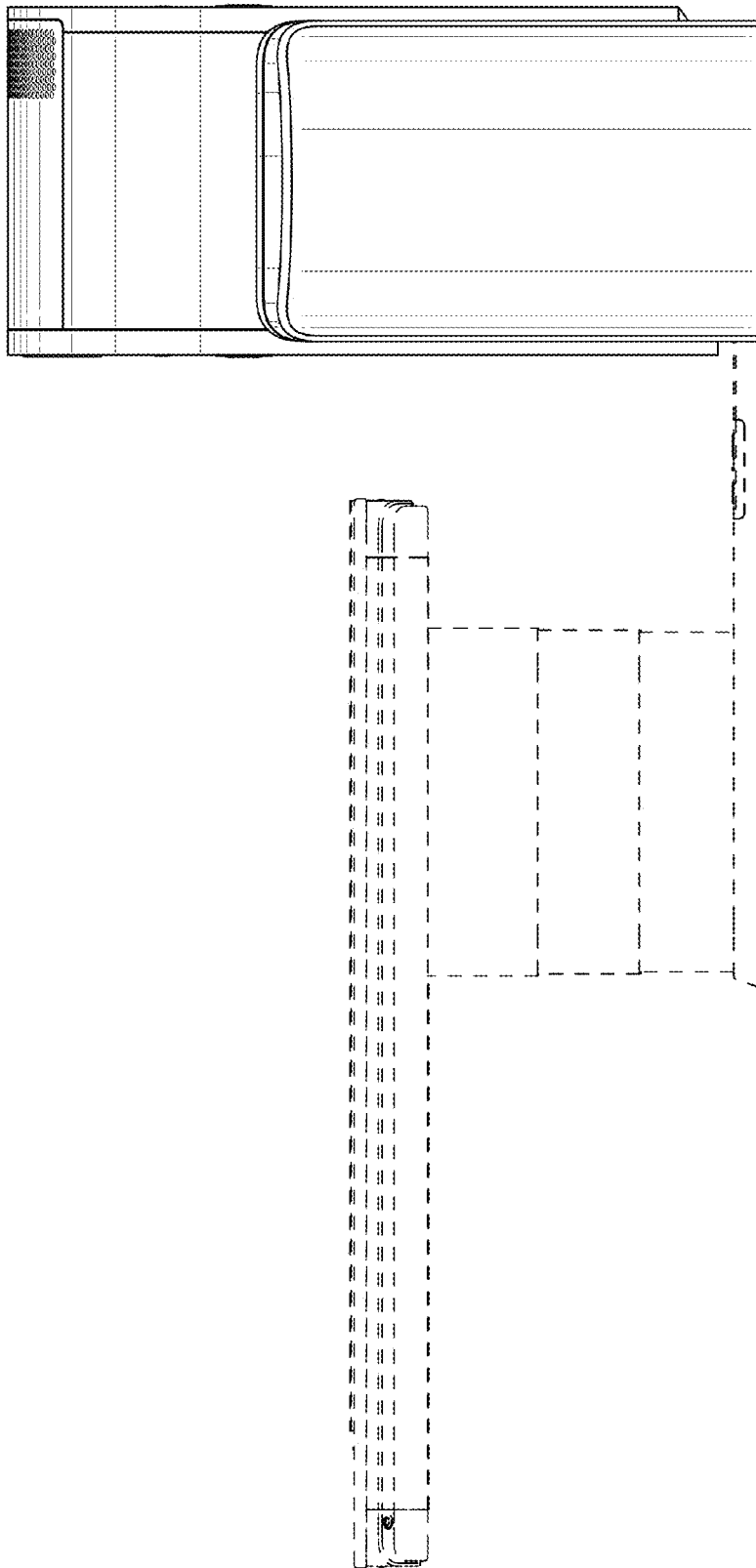


FIG. 4

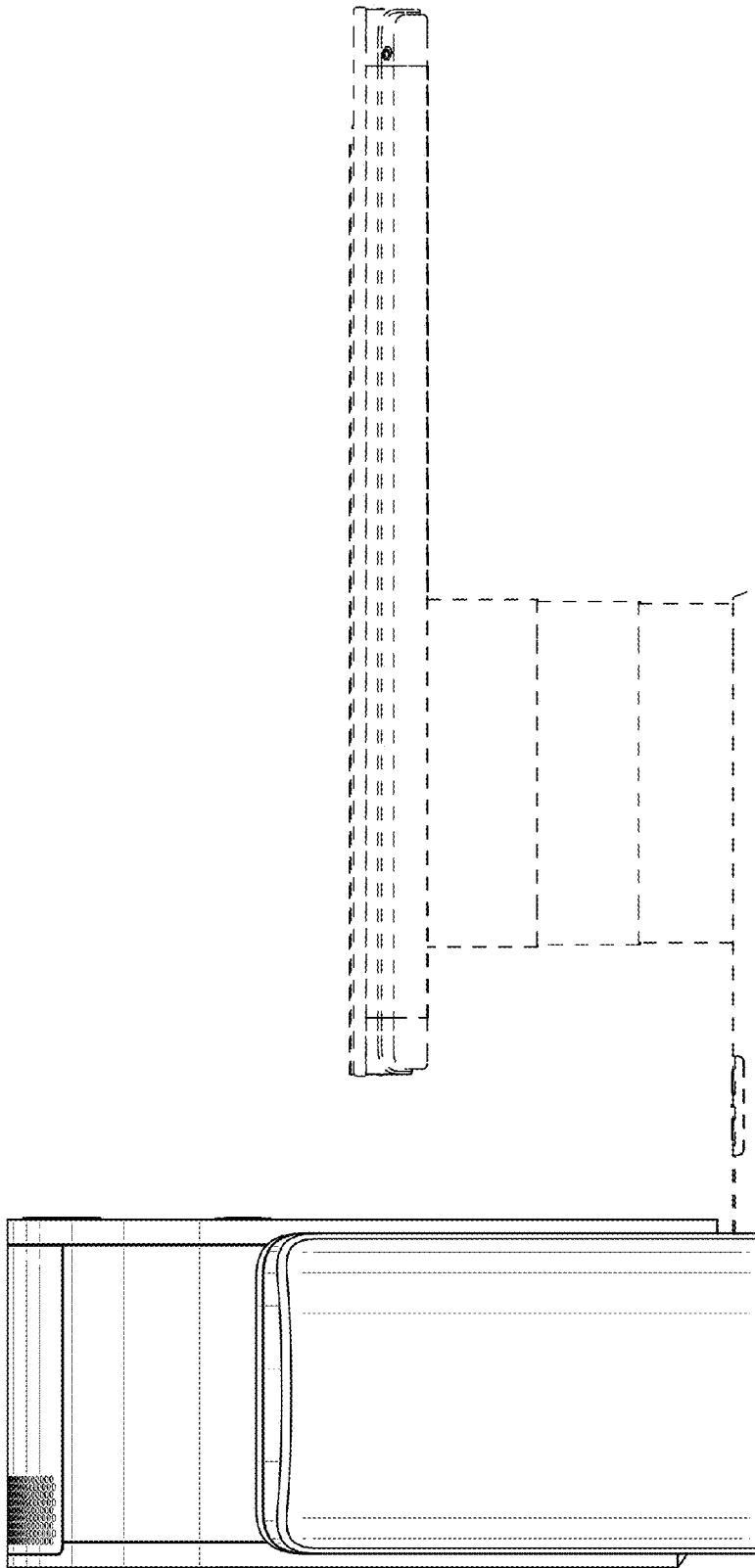
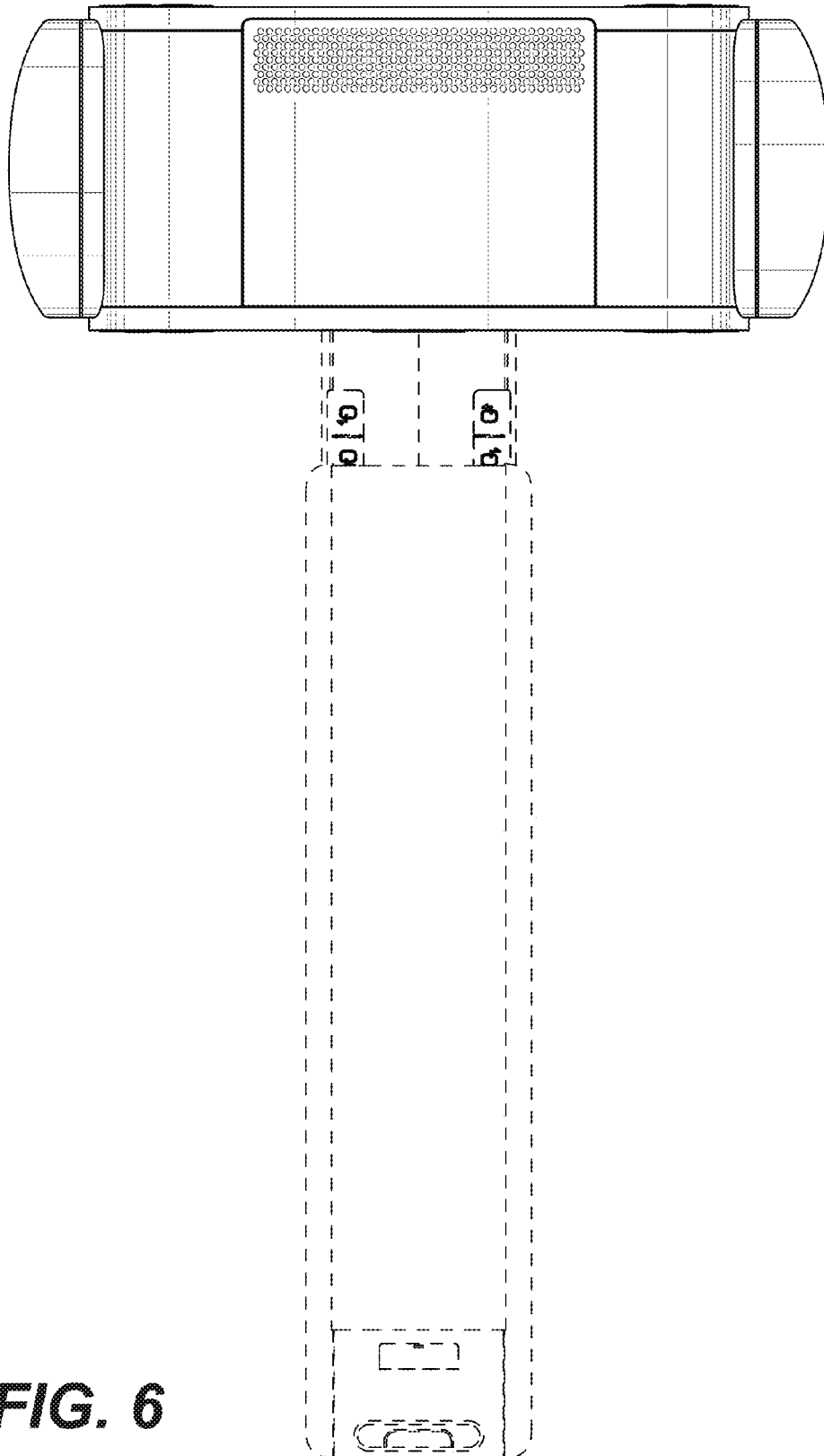
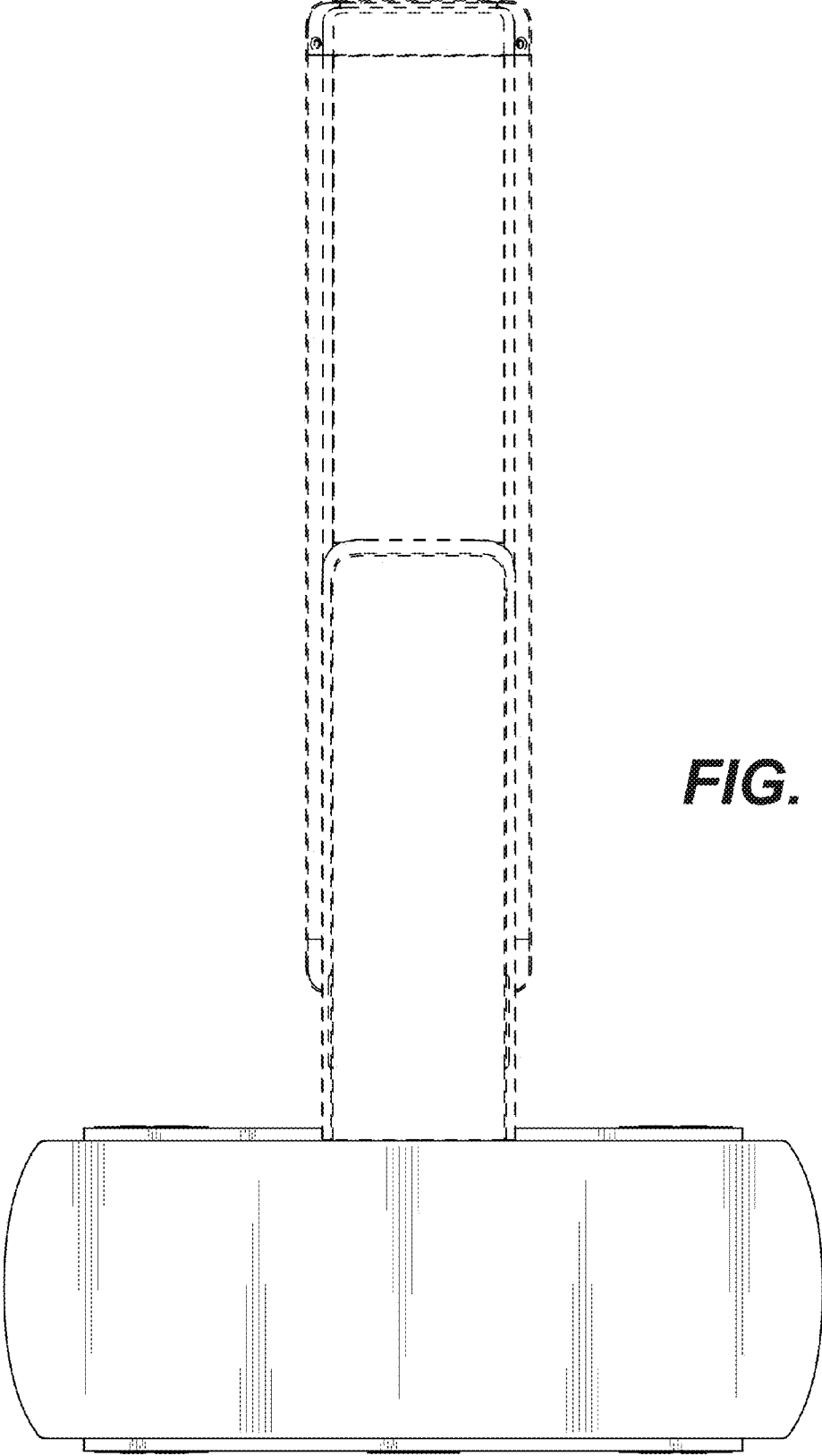


FIG. 5



**FIG. 6**



**FIG. 7**