



US00D394957S

United States Patent [19]

Hsu et al.

[11] Patent Number: Des. 394,957

[45] Date of Patent: **Jun. 9, 1998

[54] **GOLF CLUBS HOLDER**

[76] Inventors: **Te-Fu Hsu; Chi-Ern Hsu; Chi-Lun Hsu**, all of No. 27, Nong 26, Lane 2, Kuang-Fu St., Yeong-Ho City, Taipei Hsien, Taiwan

[**] Term: **14 Years**

[21] Appl. No.: **66,731**

[22] Filed: **Feb. 20, 1997**

[51] **LOC (6) Cl.** **03-99**

[52] **U.S. Cl.** **D3/320**

[58] **Field of Search** D3/320, 201, 318, D3/319; 206/315.1-315.8; 473/282, 287; 211/70.2, 70.6, 71, 72; 248/95-101; D21/223; D6/320, 513, 514

[56] **References Cited**

U.S. PATENT DOCUMENTS

D. 349,406	8/1994	Shumay	D3/320
2,436,687	2/1948	Corbett	206/315.6
2,590,154	3/1952	Burns	206/315.2 X
4,230,247	10/1980	Lowe	211/70.2 X
4,709,814	12/1987	Antonious	248/96 X
4,960,212	10/1990	Wu	211/70.2
5,056,198	10/1991	Viglione	211/70.2 X
5,238,109	8/1993	Smith	206/315.2

5,269,411	12/1993	Hong	206/315.6
5,617,951	4/1997	Wick	206/315.2 X
5,636,734	6/1997	Smith	206/315.2

OTHER PUBLICATIONS

Par Golf Manu. Co. Inc 1968 cat. p. 36.

Primary Examiner—Prabhakar G. Deshmukh
Attorney, Agent, or Firm—Bucknam and Archer

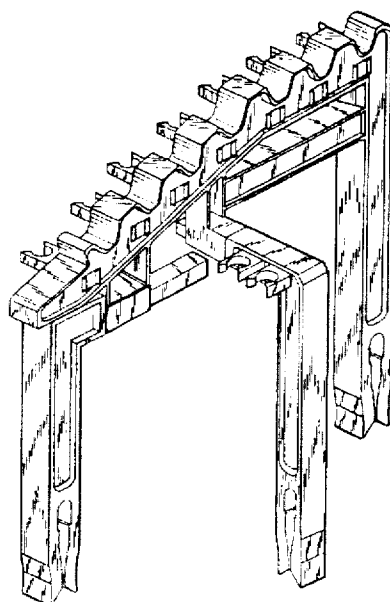
[57] **CLAIM**

The ornamental design for a golf clubs holder, as shown and described.

DESCRIPTION

FIG. 1 is a top plan view of a golf clubs holder showing our new design;
FIG. 2 is a bottom plan view thereof;
FIG. 3 is a left side elevational view thereof;
FIG. 4 is a right side elevational view thereof;
FIG. 5 is a front elevational view thereof;
FIG. 6 is a rear elevational view thereof;
FIG. 7 is a perspective view thereof;
FIG. 8 is an exploded perspective view thereof; and,
FIG. 9 is a perspective view thereof; shown in use; the broken line showing of a golf bag and golf clubs is for illustrative purpose only and forms no part of the claim.

1 Claim, 7 Drawing Sheets



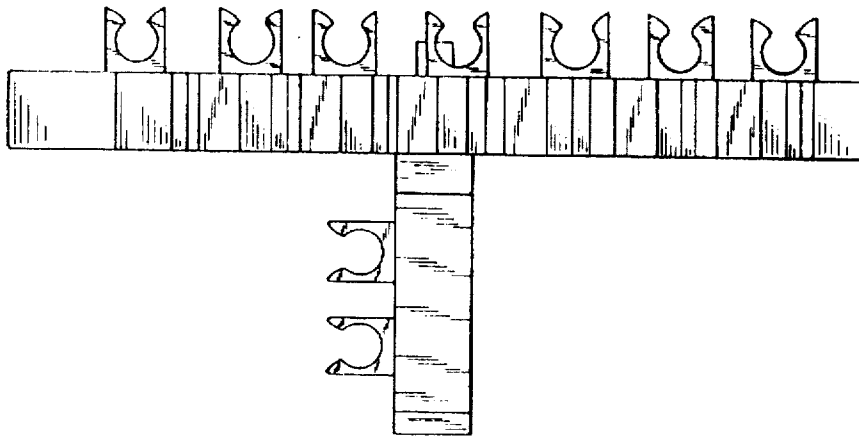


FIG. 1

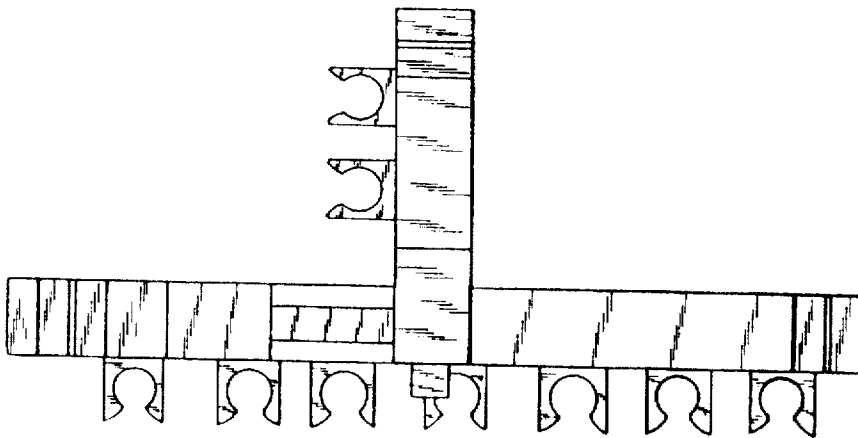


FIG. 2

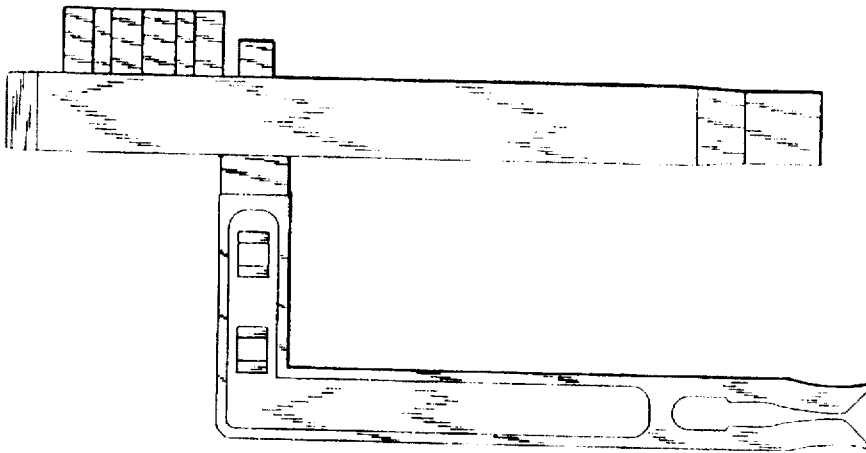


FIG. 4

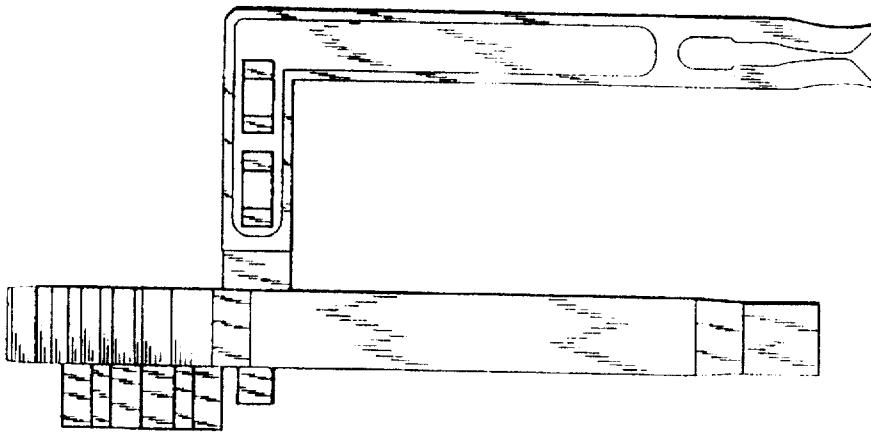


FIG. 3

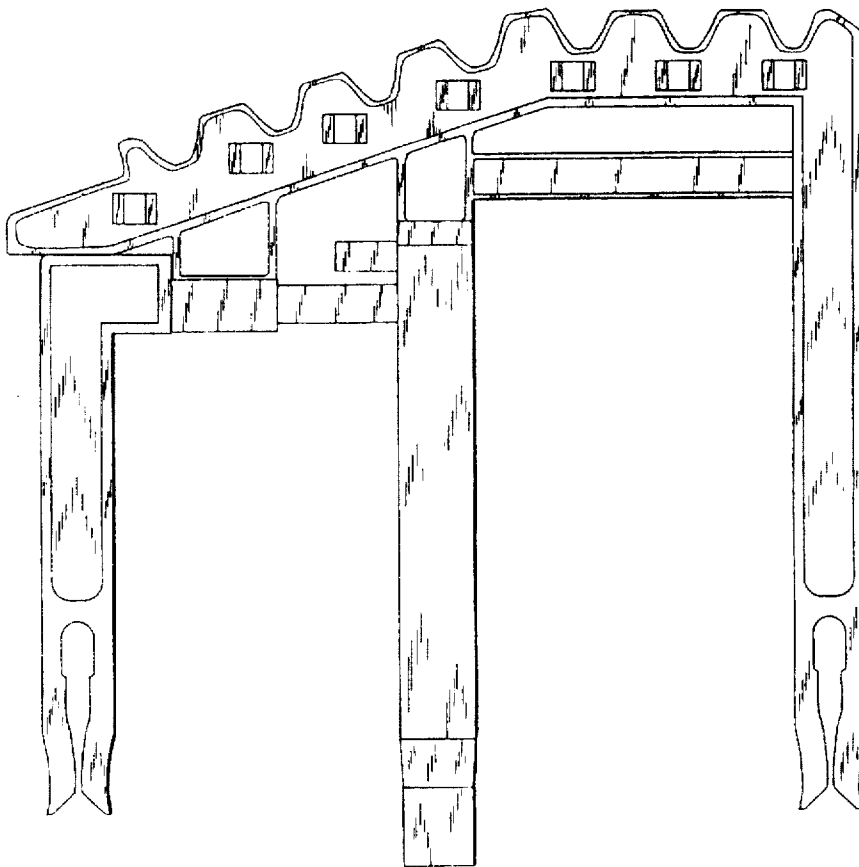


FIG. 5

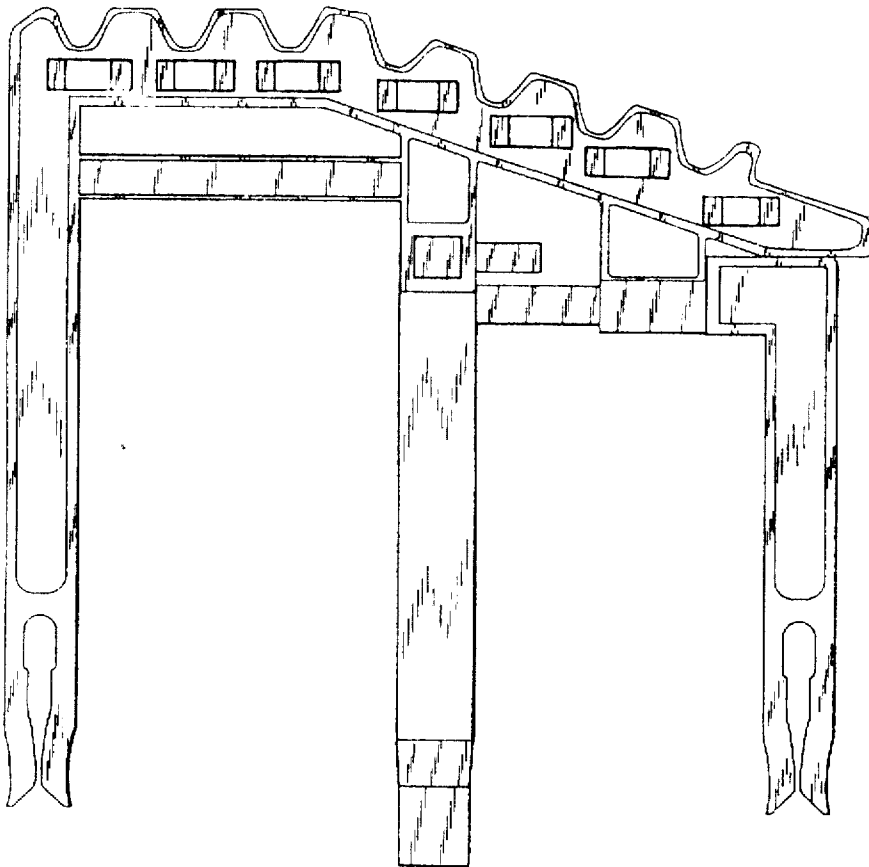


FIG. 6

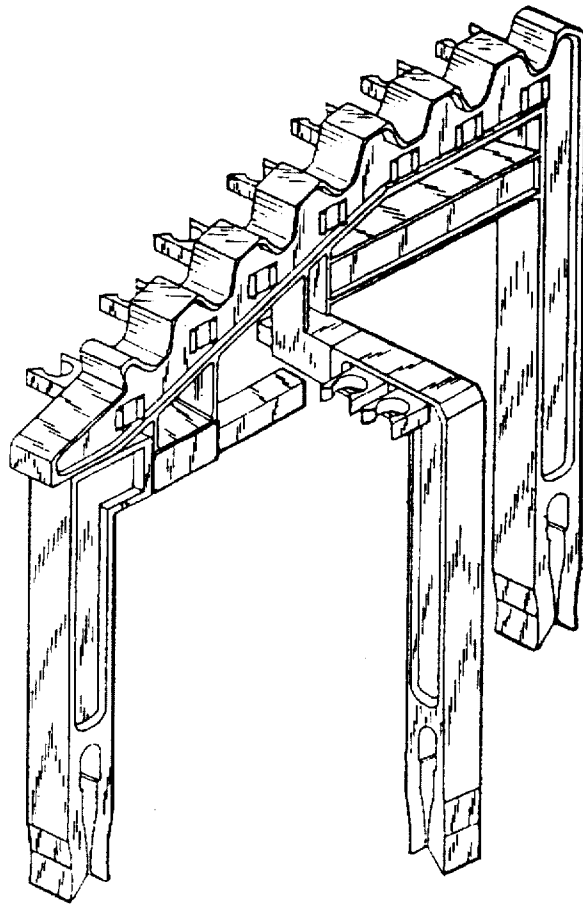


FIG. 7

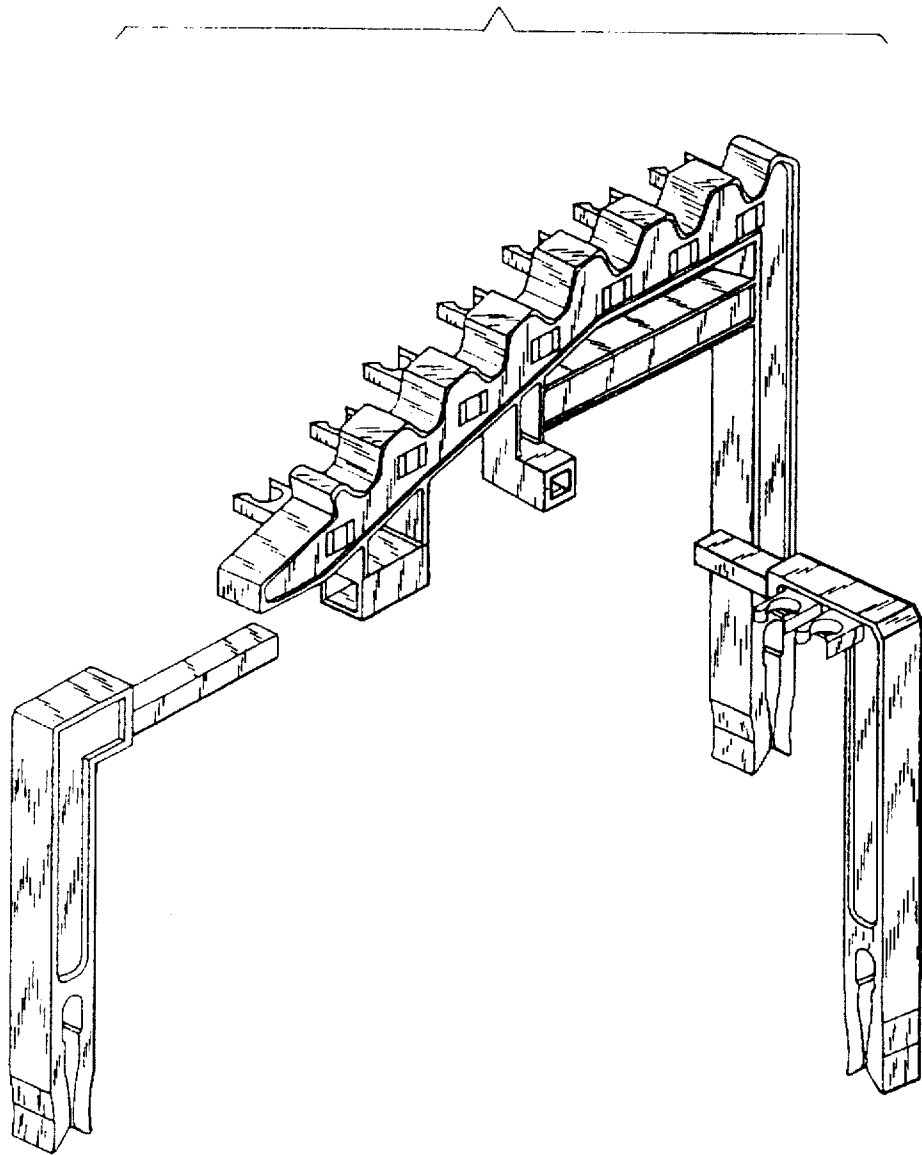


FIG. 8

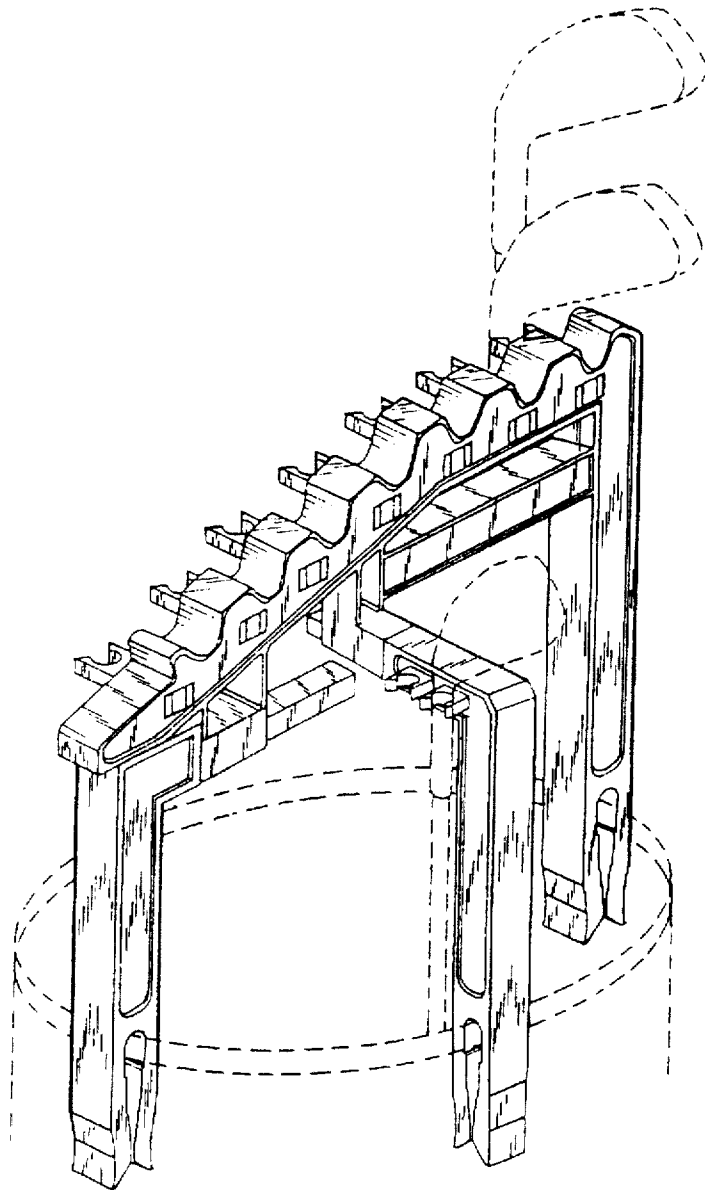


FIG. 9