



US00D734328S

(12) **United States Design Patent**  
**Song**

(10) **Patent No.:** **US D734,328 S**

(45) **Date of Patent:** **\*\* Jul. 14, 2015**

(54) **ELECTRONIC DEVICE**

(71) Applicant: **SAMSUNG ELECTRONICS CO., LTD.**, Suwon-si, Gyeonggi-do (KR)

(72) Inventor: **Junyong Song**, Sungnam-si (KR)

(73) Assignee: **SAMSUNG ELECTRONICS CO., LTD.** (KR)

(\*\*) Term: **14 Years**

(21) Appl. No.: **29/470,934**

(22) Filed: **Oct. 25, 2013**

(30) **Foreign Application Priority Data**

Aug. 30, 2013 (KR) ..... 30-2013-0044687

(51) **LOC (10) Cl.** ..... **14-02**

(52) **U.S. Cl.**  
USPC ..... **D14/344; D10/31**

(58) **Field of Classification Search**

USPC ..... D14/140, 137, 138 R, 138 AB, 139, 155, D14/191, 192, 203.1, 203.3, 203.4, 203.5, D14/203.7, 248, 226, 218, 144, 240, 344, D14/440, 341, 346, 448, 450, 496; D10/30-39, 70, 65, 78, 104.1, 104.2, D10/125; D11/3-5, 12, 19, 25; D13/168; D8/354, 366, 402, 499; D3/215; D15/199; 381/364, 151; 379/433.1; 455/575.1, 556.1, 556.2, 558, 575.3, 455/575.4, 575.6, 90.3; 368/10, 13, 69, 368/223; D21/329; D24/167; 224/175; 24/190, 265 WS

See application file for complete search history.

(56) **References Cited**

**U.S. PATENT DOCUMENTS**

1,431,802 A \* 10/1922 Horvath ..... 63/22  
3,136,547 A \* 6/1964 Schaper ..... 473/406  
3,706,117 A \* 12/1972 Axisa ..... 24/574.1

4,427,303 A \* 1/1984 Matthias ..... 368/282  
4,586,827 A \* 5/1986 Hirsch et al. .... 368/282  
4,847,818 A \* 7/1989 Olsen ..... 368/10  
5,054,051 A \* 10/1991 Hoff ..... 455/556.1  
5,179,733 A \* 1/1993 Matsui ..... 455/344  
5,381,387 A \* 1/1995 Blonder et al. .... 368/10  
D356,433 S \* 3/1995 Humphrey ..... D2/614  
D362,946 S \* 10/1995 Polenberg ..... D11/3  
5,467,324 A \* 11/1995 Houlihan ..... 368/10  
5,499,292 A \* 3/1996 Blonder et al. .... 379/433.1  
D369,751 S \* 5/1996 Boyer et al. .... D10/31  
5,564,082 A \* 10/1996 Blonder et al. .... 455/575.6  
D381,980 S \* 8/1997 Andrea ..... D14/148  
D383,073 S \* 9/1997 Miller ..... D10/31  
D407,654 S \* 4/1999 Rayon ..... D10/31

(Continued)

**OTHER PUBLICATIONS**

Hyper link <http://mobilab.tistory.com/33> printed on Oct. 23, 2013, pp. 1-9.

*Primary Examiner* — Susan Bennett Hattan

*Assistant Examiner* — Marie Fast Horse

(74) *Attorney, Agent, or Firm* — Cantor Colburn LLP

(57) **CLAIM**

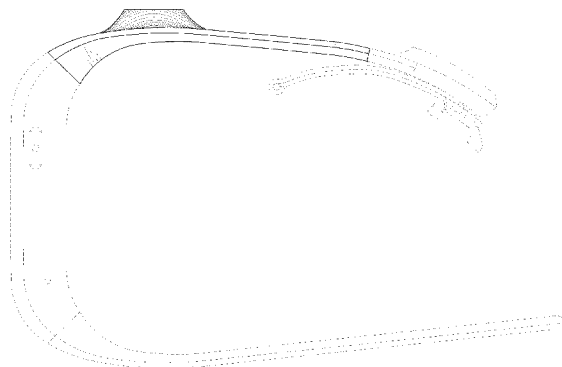
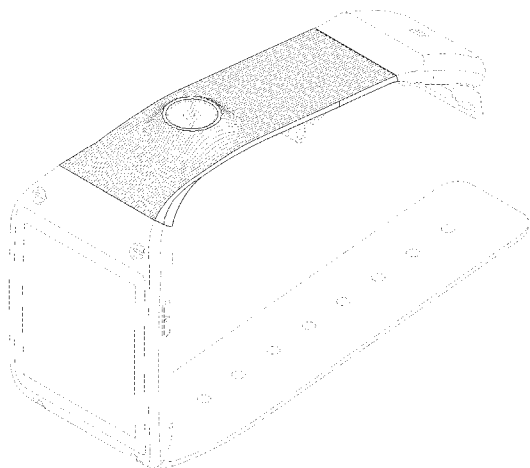
I claim, the ornamental design for an electronic device, as shown and described.

**DESCRIPTION**

FIG. 1 is the front perspective view of an electronic device showing my new design;  
FIG. 2 is a front elevation view thereof;  
FIG. 3 is a rear elevation view thereof;  
FIG. 4 is a side elevation view thereof;  
FIG. 5 is another side elevation view thereof;  
FIG. 6 is a top plan view thereof;  
FIG. 7 is a bottom plan view thereof; and,  
FIG. 8 is an enlarged cross-sectional view taken along lines A-A of FIG. 6.

The broken lines depict portions of the electronic device that form no part of the claimed design.

**1 Claim, 8 Drawing Sheets**



(56)

References Cited

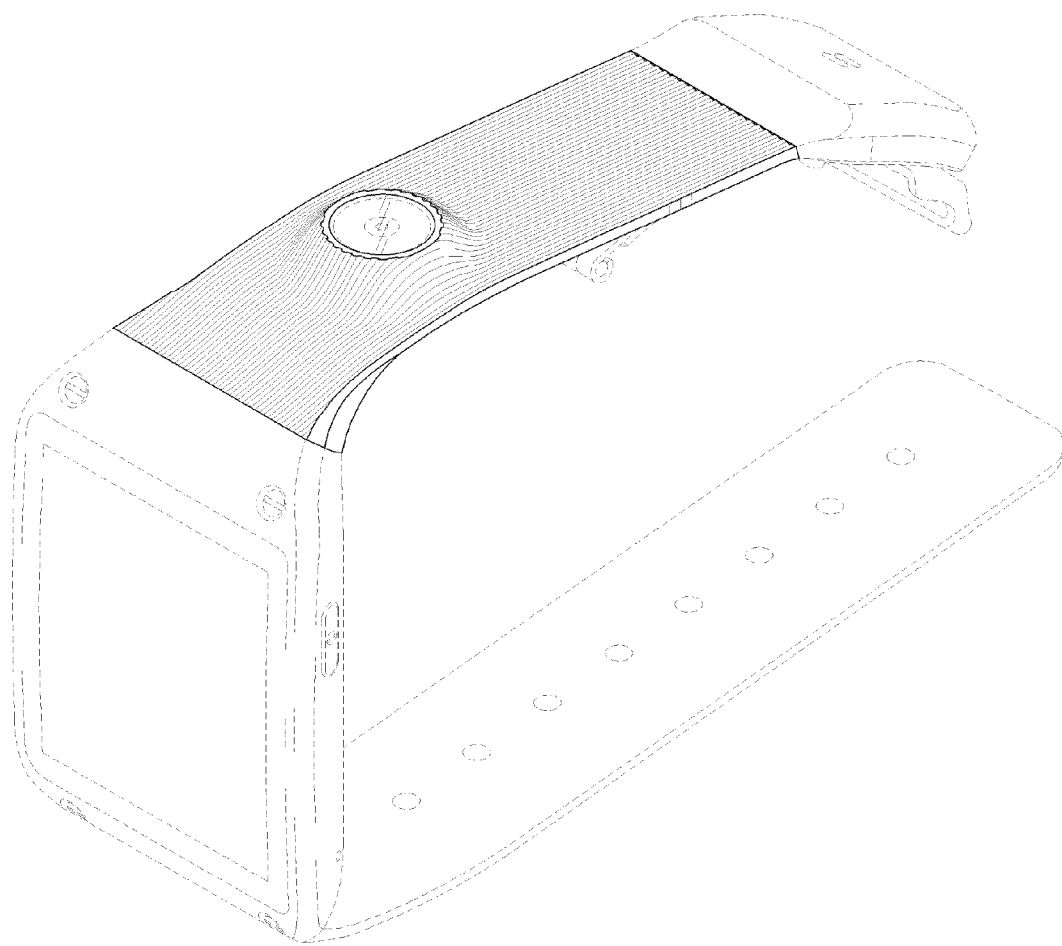
U.S. PATENT DOCUMENTS

D410,406 S \* 6/1999 Iwamoto et al. .... D11/3  
 6,212,414 B1 \* 4/2001 Alameh et al. .... 455/575.6  
 D443,221 S \* 6/2001 Jacob et al. .... D11/3  
 D450,613 S \* 11/2001 Rantala ..... D11/3  
 D466,879 S \* 12/2002 Wada et al. .... D14/138 R  
 D473,155 S \* 4/2003 Bonnet ..... D11/26  
 D488,391 S \* 4/2004 Kume ..... D10/32  
 D497,827 S \* 11/2004 Yamamoto ..... D11/3  
 D535,205 S \* 1/2007 Frederick et al. .... D10/104.1  
 D589,375 S \* 3/2009 Tang ..... D10/32  
 D598,301 S \* 8/2009 Moritz ..... D10/32  
 D610,472 S \* 2/2010 Nashimoto ..... D10/32  
 D628,111 S \* 11/2010 Cerrato ..... D11/3  
 D637,918 S \* 5/2011 Cobbett et al. .... D10/31  
 D638,736 S \* 5/2011 Cobbett et al. .... D11/3  
 D641,661 S \* 7/2011 Zhang ..... D11/231  
 D651,115 S \* 12/2011 Willows et al. .... D11/3  
 D659,580 S \* 5/2012 Veit ..... D11/3  
 D664,880 S \* 8/2012 Cobbett et al. .... D11/3  
 D664,881 S \* 8/2012 Cobbett et al. .... D11/3  
 8,301,211 B2 \* 10/2012 Lee et al. .... 455/575.6

D673,334 S \* 12/2012 Guo ..... D30/152  
 8,370,549 B2 \* 2/2013 Burton et al. .... 710/63  
 D684,879 S \* 6/2013 Hwang ..... D11/3  
 8,506,158 B2 \* 8/2013 Keung et al. .... 368/282  
 D692,339 S \* 10/2013 Cerrato ..... D11/3  
 D692,341 S \* 10/2013 Hwang ..... D11/3  
 D698,503 S \* 1/2014 Fidrych et al. .... D30/152  
 D709,476 S \* 7/2014 Park et al. .... D14/138 R  
 D709,874 S \* 7/2014 Aumiller et al. .... D14/344  
 D710,736 S \* 8/2014 Goto ..... D11/3  
 D711,372 S \* 8/2014 Aumiller et al. .... D14/344  
 D711,760 S \* 8/2014 Savoy ..... D11/3  
 D711,761 S \* 8/2014 Savoy ..... D11/3  
 D711,872 S \* 8/2014 Aumiller et al. .... D14/344  
 D711,873 S \* 8/2014 Aumiller et al. .... D14/344  
 2007/0200716 A1 \* 8/2007 Haase et al. .... 340/574  
 2007/0232373 A1 \* 10/2007 Yoshida et al. .... 455/575.6  
 2012/0250471 A1 \* 10/2012 Bianco et al. .... 368/282  
 2013/0001263 A1 \* 1/2013 Kai ..... 224/219  
 2013/0088942 A1 \* 4/2013 Perko et al. .... 368/278  
 2013/0219960 A1 \* 8/2013 Gerard-Goddet ..... 63/3.2  
 2013/0261405 A1 \* 10/2013 Lee et al. .... 600/301  
 2014/0078871 A1 \* 3/2014 Savoy ..... 368/282  
 2014/0143785 A1 \* 5/2014 Mistry et al. .... 718/104

\* cited by examiner

FIG. 1



**FIG. 2**

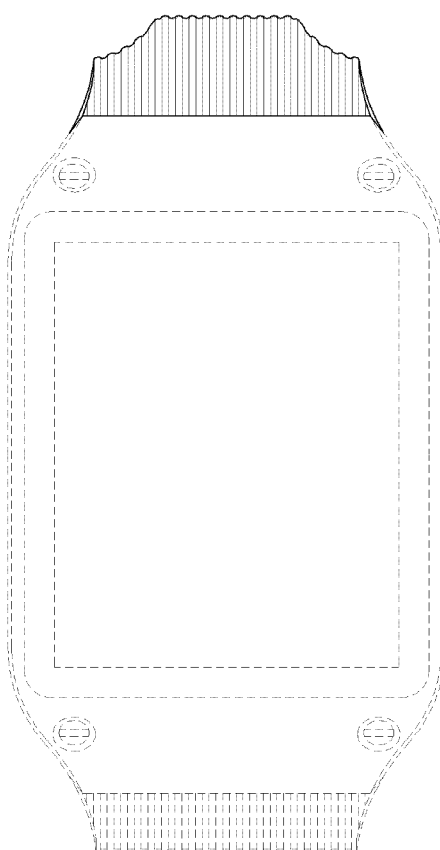


FIG. 3

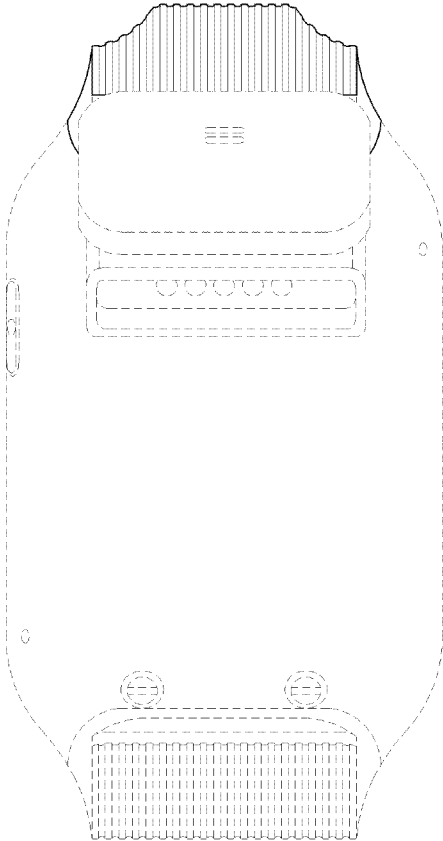


FIG. 4

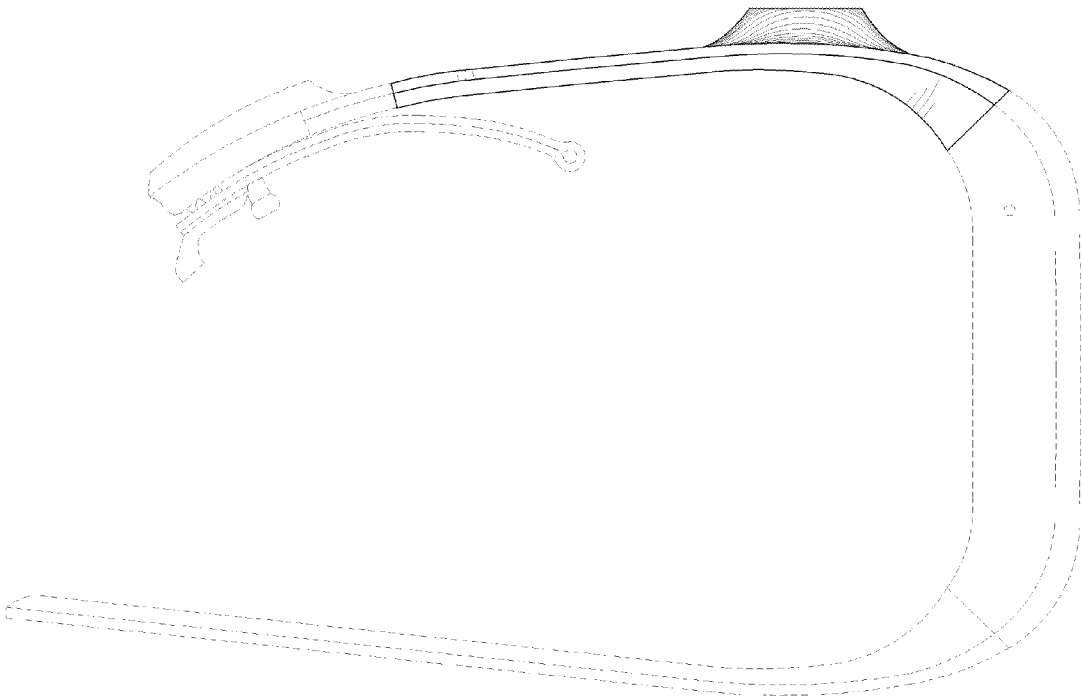
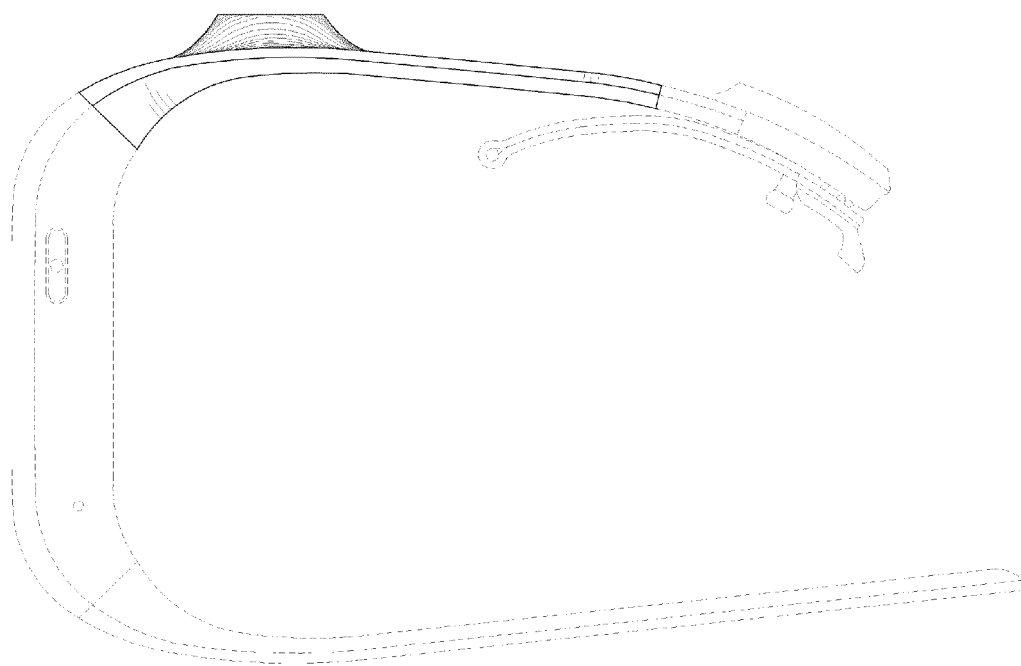
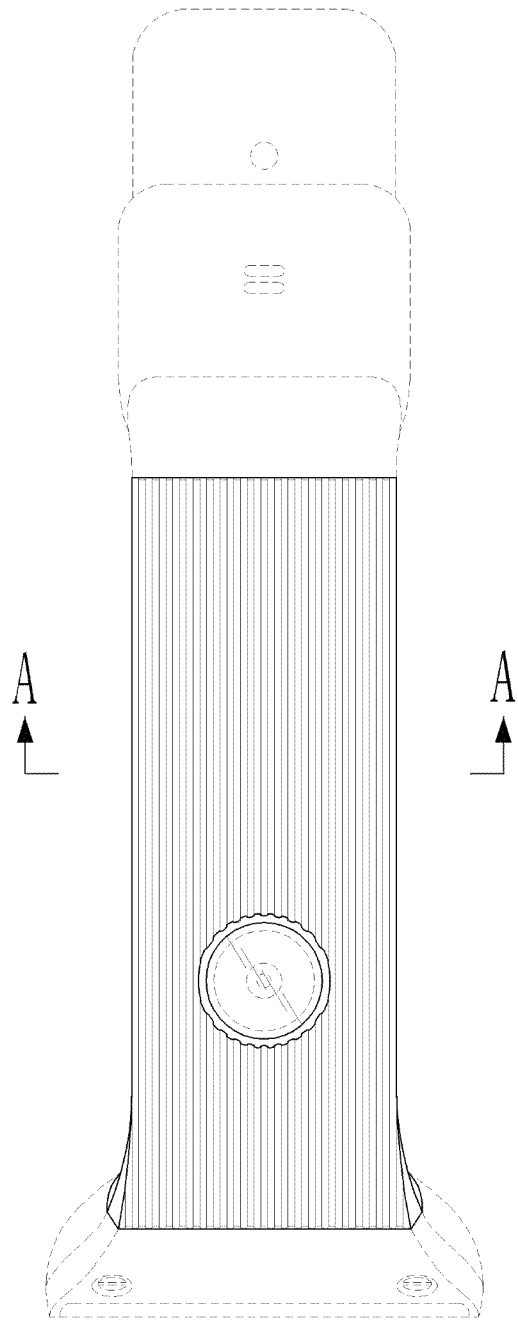


FIG. 5

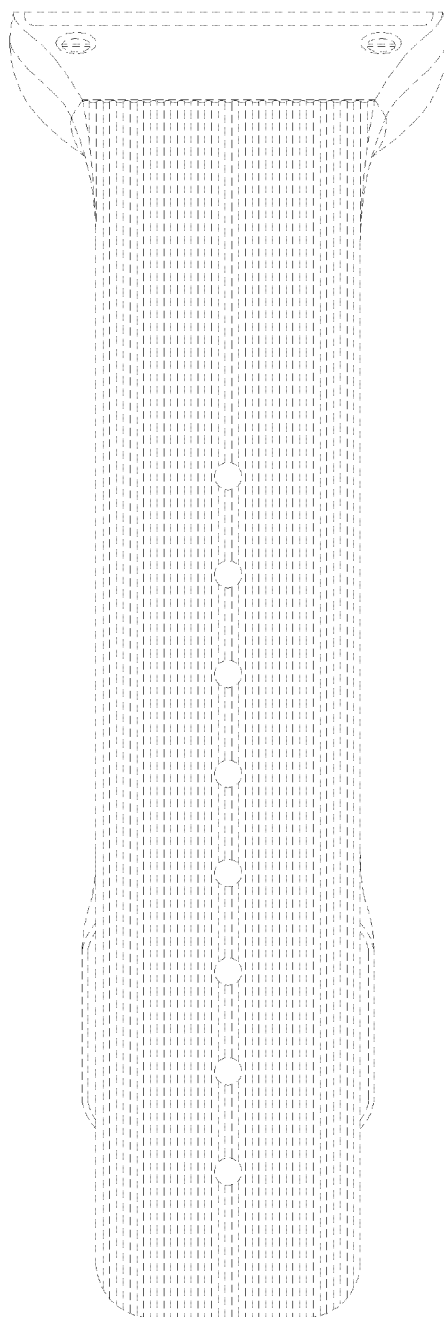


**FIG. 6**





**FIG. 7**



**FIG. 8**

