



US00D772534S

(12) **United States Design Patent** (10) **Patent No.:** **US D772,534 S**
Borovicka (45) **Date of Patent:** **** Nov. 29, 2016**

(54) **GARMENT**

- (71) Applicant: **NIKE, Inc.**, Beaverton, OR (US)
- (72) Inventor: **Vanessa L. Borovicka**, Lake Oswego, OR (US)
- (73) Assignee: **NIKE, Inc.**, Beaverton, OR (US)
- (**) Term: **15 Years**
- (21) Appl. No.: **29/541,983**

- (22) Filed: **Oct. 9, 2015**
- (51) **LOC (10) Cl.** **02-02**
- (52) **U.S. Cl.** **D2/731**
- (58) **Field of Classification Search**
- USPC D2/731, 839, 829, 828, 739, 717, 833;
2/112, 113, 461, 2.5, 102; 131/260
- CPC A41B 13/08; A41B 9/06; A41D 13/0156;
A41D 27/10; A41D 1/04; A41D 13/05;
A41D 13/0153; A41D 13/015; F41H 1/02;
F41H 5/0428

See application file for complete search history.

(56) **References Cited**

U.S. PATENT DOCUMENTS

| | | | |
|---------------|---------|----------------|---------------------|
| 339,920 A | 4/1886 | Patjme | |
| 1,288,408 A * | 12/1918 | Hait et al. | A41B 13/08 2/112 |
| 1,657,866 A | 1/1928 | Mooney | |
| D113,203 S | 1/1939 | Feigenbaum | |
| D113,204 S | 1/1939 | Zucker et al. | |
| D115,592 S | 7/1939 | Shapiro et al. | |
| D118,524 S | 1/1940 | Zelinka | |
| D139,535 S | 11/1944 | Bauer | |
| D155,796 S * | 11/1949 | Fischer | 131/260 |
| D157,696 S * | 3/1950 | Paque | D2/839 |
| 2,669,721 A | 2/1954 | Koch | |
| 2,707,284 A * | 5/1955 | Artzt | A41B 9/06 2/113 |

(Continued)

FOREIGN PATENT DOCUMENTS

GB 000796879 A 6/1958
JP D1453011 * 10/2012

(Continued)

OTHER PUBLICATIONS

Womens Clothing—Ablogfab: Men\members Only Faux Leather Asymmetrical Zip Bomber Jacket For Women, Announced May 11, 2014 [Site Visited Jul. 1, 2016] <http://www.ablogfab.com/tag/women-clothing/>.*

(Continued)

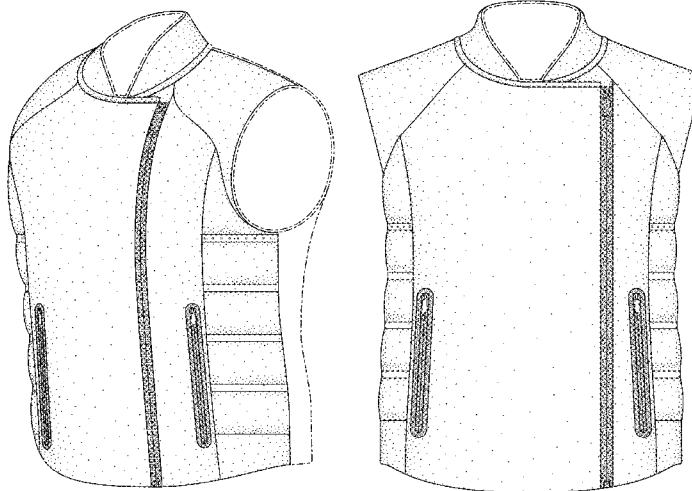
Primary Examiner — John Windmuller
Assistant Examiner — Luqman McNeil
(74) *Attorney, Agent, or Firm* — Banner & Witcoff, Ltd.

(57) **CLAIM**
The ornamental design for a garment, as shown and described.

DESCRIPTION

FIG. 1 is a front perspective view of a garment showing my new design in an in-use configuration; FIG. 2 is a front view thereof; FIG. 3 is a rear view thereof; FIG. 4 is a side view thereof; FIG. 5 is a second left side view thereof; FIG. 6 is a top view thereof; and, FIG. 7 is a bottom view thereof. The broken lines immediately adjacent to the shaded area represent unclaimed boundaries of the design. The unshaded regions, demarcated by broken lines, represent unclaimed portions of the garment and form no part of the claimed design. The broken lines showing the remainder of the garment are for environmental purposes only and form no part of the claimed design. The contrast shading represents a contrast in appearance only and does not represent any particular color, material, texture or finish.

1 Claim, 7 Drawing Sheets



(56)

References Cited

U.S. PATENT DOCUMENTS

D194,967 S 4/1963 Bauer
 3,116,489 A 1/1964 Weiss
 3,125,762 A * 3/1964 Glahe A41D 13/0156
 2/461
 3,398,406 A 8/1968 Du Pont
 3,883,914 A 5/1975 Blair
 3,988,780 A * 11/1976 Armellino F41H 1/02
 2/2.5
 4,084,264 A 4/1978 Marion
 4,149,272 A 4/1979 Maeshima
 D255,056 S 5/1980 Parsons
 4,302,850 A * 12/1981 Maeshima A41D 27/10
 2/102
 4,483,020 A * 11/1984 Dunn F41H 5/0428
 2/2.5
 4,602,387 A 7/1986 Zakrzewski
 4,619,622 A 10/1986 McDonald et al.
 D298,474 S 11/1988 Twede
 4,912,780 A * 4/1990 Falack A41D 1/04
 2/102
 5,101,511 A * 4/1992 Elverskog A41D 13/05
 2/102
 D332,514 S * 1/1993 Brandoff D2/829
 5,206,957 A * 5/1993 Gulick A41D 13/00
 2/102
 D356,883 S * 4/1995 Ganahl D2/828
 5,465,424 A * 11/1995 Cudney A41D 13/0153
 2/102
 D367,551 S * 3/1996 Chalbeck D2/739
 D374,329 S 10/1996 Wilde
 D385,088 S 10/1997 Handysides
 D414,913 S * 10/1999 Katz D2/829
 D439,727 S * 4/2001 Hosogai D2/828
 6,408,440 B1 * 6/2002 Phillips A41D 13/015
 2/102
 D478,708 S 8/2003 Miros et al.
 D479,902 S 9/2003 Brown
 6,654,963 B2 12/2003 Fayle et al.
 6,738,984 B2 * 5/2004 Gillen A41D 13/0153
 2/2.5
 D516,777 S 3/2006 Beck
 D541,010 S 4/2007 Boucher
 D580,630 S * 11/2008 Adams D2/829
 D580,632 S 11/2008 Adams et al.
 D588,783 S 3/2009 Olstorn
 D618,440 S 6/2010 Parker
 D620,231 S 7/2010 Parker
 D621,132 S 8/2010 Crisp
 D622,032 S 8/2010 Lambertz
 D622,033 S 8/2010 Lambertz
 D622,034 S 8/2010 Lambertz
 D622,035 S 8/2010 Lambertz
 D625,078 S 10/2010 Scott-Curran
 D626,725 S 11/2010 Snyder et al.
 D628,771 S * 12/2010 Kanada D2/717
 D631,230 S 1/2011 Ruffini
 D633,690 S 3/2011 Tronvold
 D633,691 S 3/2011 Tronvold
 D636,973 S 5/2011 Smith et al.
 D637,794 S 5/2011 Gosse
 D638,200 S 5/2011 Gorson
 D638,201 S 5/2011 Gosse
 D638,202 S 5/2011 Gosse
 D639,023 S 6/2011 Iamartino et al.
 D641,137 S 7/2011 Evans et al.
 D642,770 S 8/2011 Bengyak
 D643,577 S 8/2011 Bulan et al.
 D653,430 S 2/2012 Pouches
 D654,659 S 2/2012 Scott-Curran
 D654,664 S 2/2012 Evans et al.
 D656,301 S 3/2012 Randall
 D662,282 S 6/2012 Meunier-Bouchard
 D662,285 S * 6/2012 Rushworth D2/833
 D675,400 S 2/2013 Mertes
 D677,861 S * 3/2013 Perry D2/829

D679,072 S 4/2013 Abbevik et al.
 D685,158 S 7/2013 Lambertz
 D685,159 S 7/2013 Lambertz
 D685,160 S 7/2013 Savage
 D687,619 S 8/2013 Savage
 D689,262 S 9/2013 Passman
 D689,263 S 9/2013 Passman
 D693,095 S 11/2013 Grant
 D695,491 S 12/2013 Hawkins et al.
 D698,123 S 1/2014 Yu et al.
 D698,525 S 2/2014 Roberts et al.
 D698,526 S 2/2014 Roberts et al.
 D698,528 S 2/2014 Roberts et al.
 D702,419 S 4/2014 Mertes
 D702,920 S * 4/2014 Chaney D2/739
 D703,416 S * 4/2014 Roberts D2/839
 D703,922 S 5/2014 Roberts et al.
 D704,418 S * 5/2014 Holmes D2/839
 D704,419 S 5/2014 Holmes
 D704,924 S 5/2014 Roberts et al.
 D707,423 S * 6/2014 Pezzimenti D2/829
 D707,424 S * 6/2014 Pezzimenti D2/829
 D710,573 S 8/2014 Pezzimenti
 D713,128 S 9/2014 Pezzimenti et al.
 D713,620 S 9/2014 Pezzimenti et al.
 D713,621 S 9/2014 Pezzimenti et al.
 D714,022 S * 9/2014 Mong D2/828
 D714,526 S 10/2014 Ingram
 D714,527 S 10/2014 Borovicka
 D716,022 S 10/2014 Judge et al.
 D719,722 S 12/2014 Bublak
 D736,497 S 8/2015 Harris
 D746,548 S 1/2016 Ingram
 D746,551 S 1/2016 Ingram
 2004/0153012 A1 8/2004 Schroeder
 2013/0276201 A1 10/2013 Pezzimenti

FOREIGN PATENT DOCUMENTS

RU 00075639 * 8/2010
 RU 00086513 * 10/2013
 WO 0011979 A1 3/2000

OTHER PUBLICATIONS

Cardigans and Couture: Say It With Me, Announced Feb. 10, 2014, [Site Visted Jul. 1, 2016] <http://cardigansandcouture.blogspot.com/2014/02/say-it-with-me.html>.
 Nike Golf Introduces Areoloft Jackets, Announced Sep. 16, 2015 [Site Visited Jul. 1, 2016] <http://ngnation.com/2015/09/15/nike-golf-introduces-aeroloft-jackets/>.
 Nike Apparel Catalog, 2010 Fall ACG, p. 15, published date unknown, but prior to the filing date of the present application, NIKE, Inc., USA.
 Nike Apparel Catalog, 2010 Fall ACG, p. 16, published date unknown, but prior to the filing date of the present application, NIKE, Inc., USA.
 Nike Apparel Catalog, 2010 Fall Apparel, p. 17, published 2010, NIKE, Inc., USA.
 Nike Apparel Catalog, 2010 Fall Apparel, p. 20, published date unknown, but prior to the filing date of the present application, NIKE, Inc., USA.
 Nike Apparel Catalog, 2010 Holiday Women's Athletic Department Classics, p. 9, published 2010, NIKE, Inc., USA.
 Nike Apparel Catalog, 2010 Holiday Young Athletes, p. 47, published date unknown, but prior to the filing date of the present application, NIKE, Inc., USA.
 Nike Apparel Catalog, 2010 Holiday Young Athletes, p. 62, published date unknown, but prior to the filing date of the present application, NIKE, Inc., USA.
 Nike Apparel Catalog, 2011 Fall Boys' Apparel, p. 22, published 2011, NIKE, Inc., USA.
 Nike Apparel Catalog, 2011 Fall Girls' Apparel, p. 8, published 2011, NIKE, Inc., USA.

(56)

References Cited

OTHER PUBLICATIONS

Nike Apparel Catalog, 2011 Fall Men's Athletic Department Classics, p. 57, published 2011, NIKE, Inc., USA.

Nike Apparel Catalog, 2011 Holiday Boys, p. 25, published date unknown, but prior to the filing date of the present application, NIKE, Inc., USA.

Nike Apparel Catalog, 2011 Holiday Girls, p. 12, published date unknown, but prior to the filing date of the present application, NIKE, Inc., USA.

Nike Apparel Catalog, 2011 Holiday Men's Athletic Dept Classic, p. 1, published date unknown, but prior to the filing date of the present application, NIKE, Inc., USA.

Nike Apparel Catalog, 2011 Holiday Women's Performance, p. 51, published date unknown, but prior to the filing date of the present application, NIKE, Inc., USA.

London Cyclist, "Waterproof cycling jacket guide," <http://www.londoncyclist.co.uk/waterproof-cycling-jacket/>, retrieved from internet Jan. 22, 2016, published Oct. 21, 2010, pp. 3-4.

Bike Lights Review, "Altura Night Vision Evo Jacket Review," <http://www.bikelightsreview.com/jackets/altura-night-vision-evo/>, retrieved from internet Jan. 22, 2016, published Sep. 11, 2011, p. 2.

The Greatcaster, "Columbia Sportswear TurboDown Insulation," <http://www.thegearcaster.com/2013/11/columbia-sportswear-turbodown-insulation.html>, retrieved from Internet Jan. 22, 2016, published Nov. 13, 2013, p. 2.

Blurgh the Thinkgeek Blog, "Top Ten List: Top 10 Fictional Uniforms We Want to Wear to Work," <http://www.thinkgeek.com/blog/2015/03/tldr-top-ten-list-top-10-ficti-2.html>, retrieved from internet Jan. 22, 2016, published date unknown, but prior to the filing date of the present application, pp. 1-4.

Nike Apparel Catalog, 2010 Fall ACG, p. 4, published date unknown, but prior to the filing date of the present application, NIKE, Inc., USA.

* cited by examiner

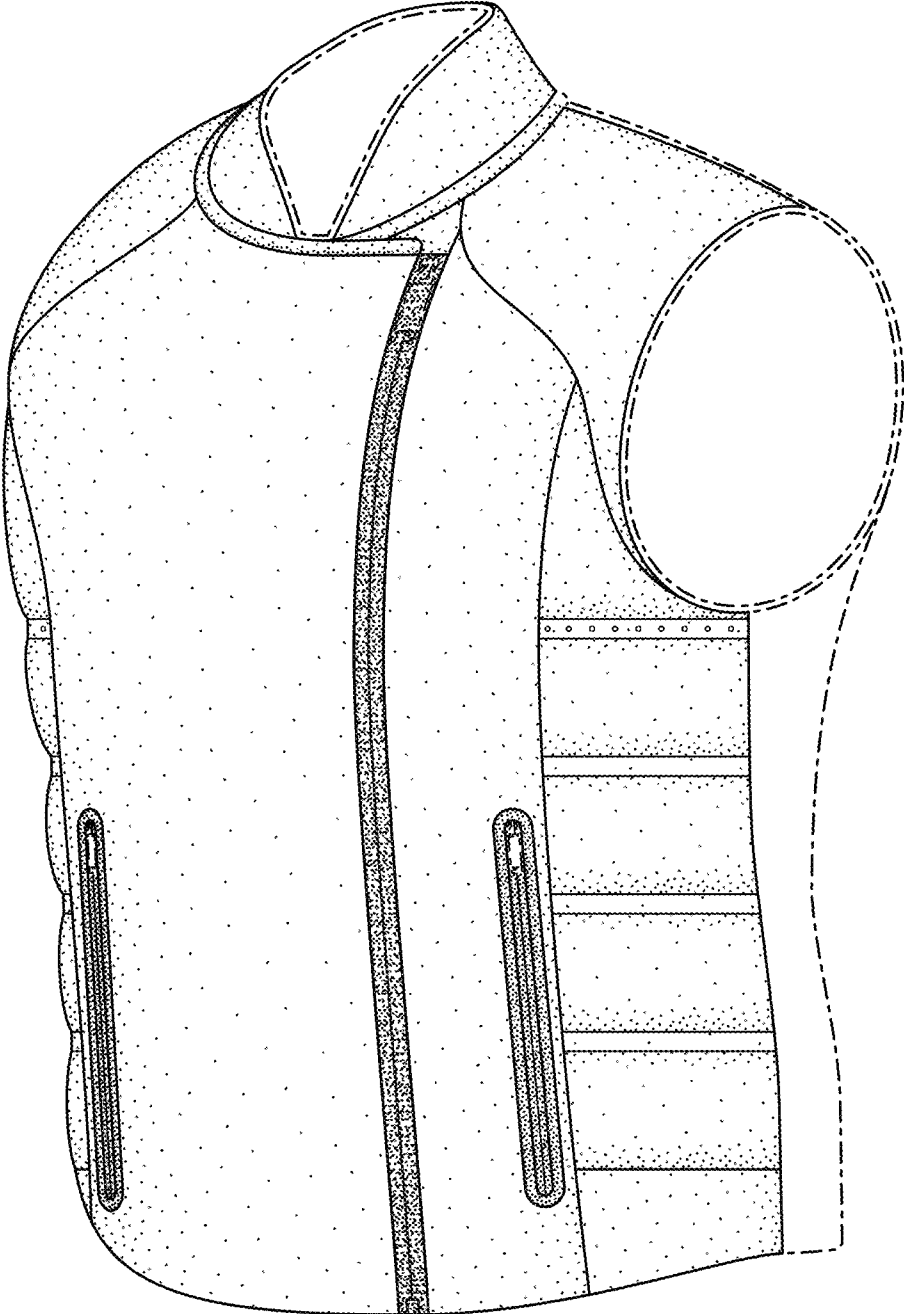


FIG. 1

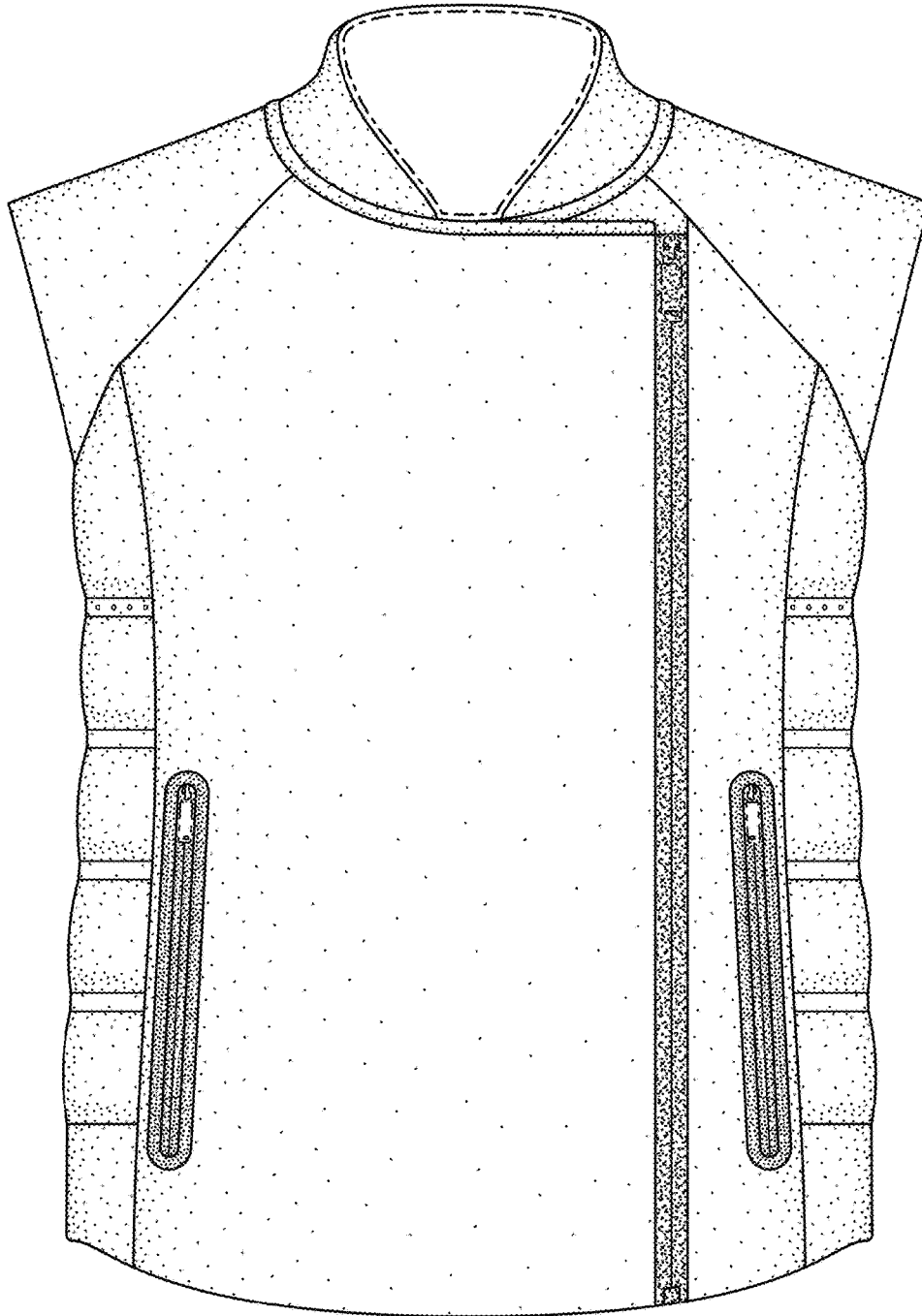


FIG. 2

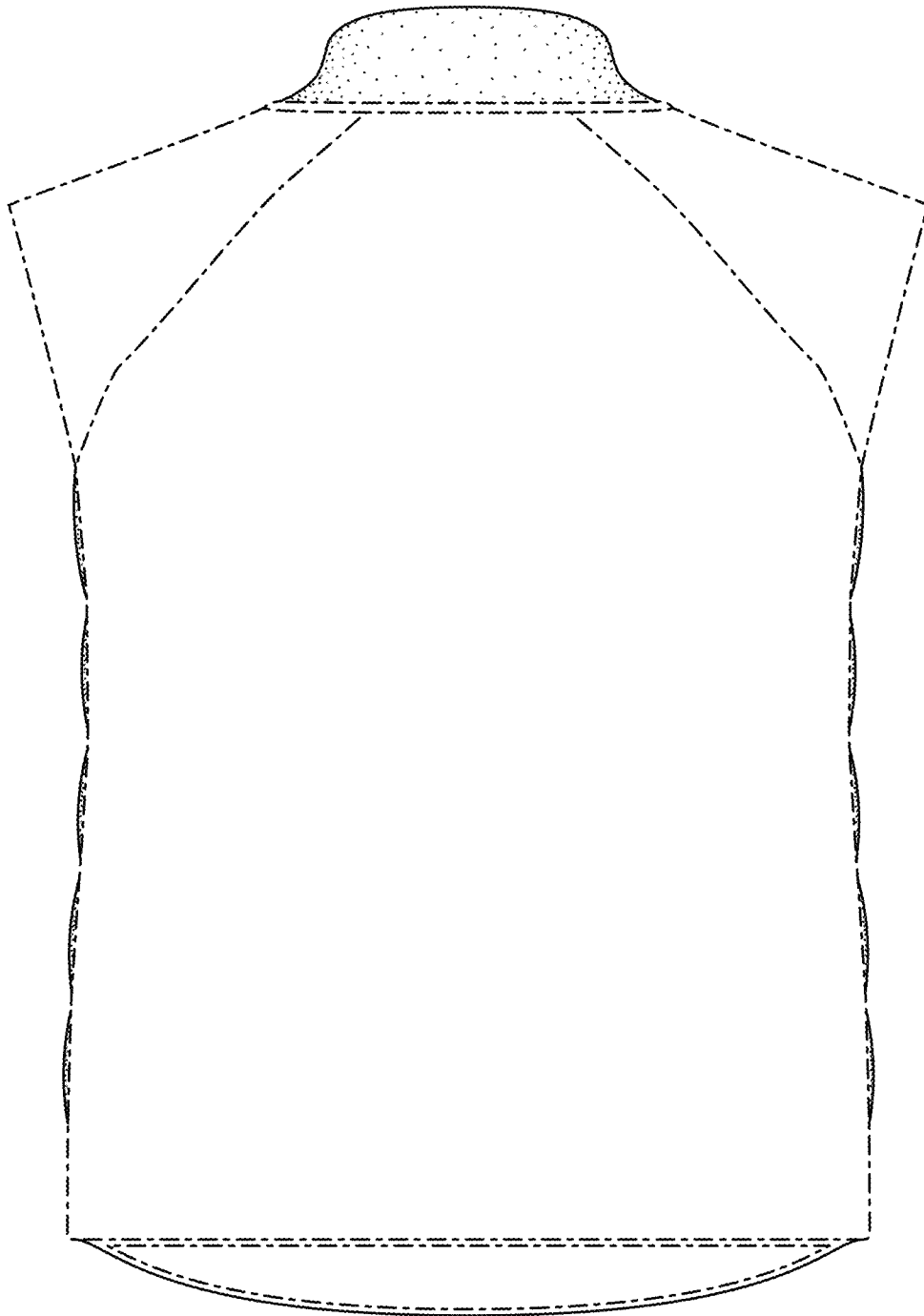


FIG. 3

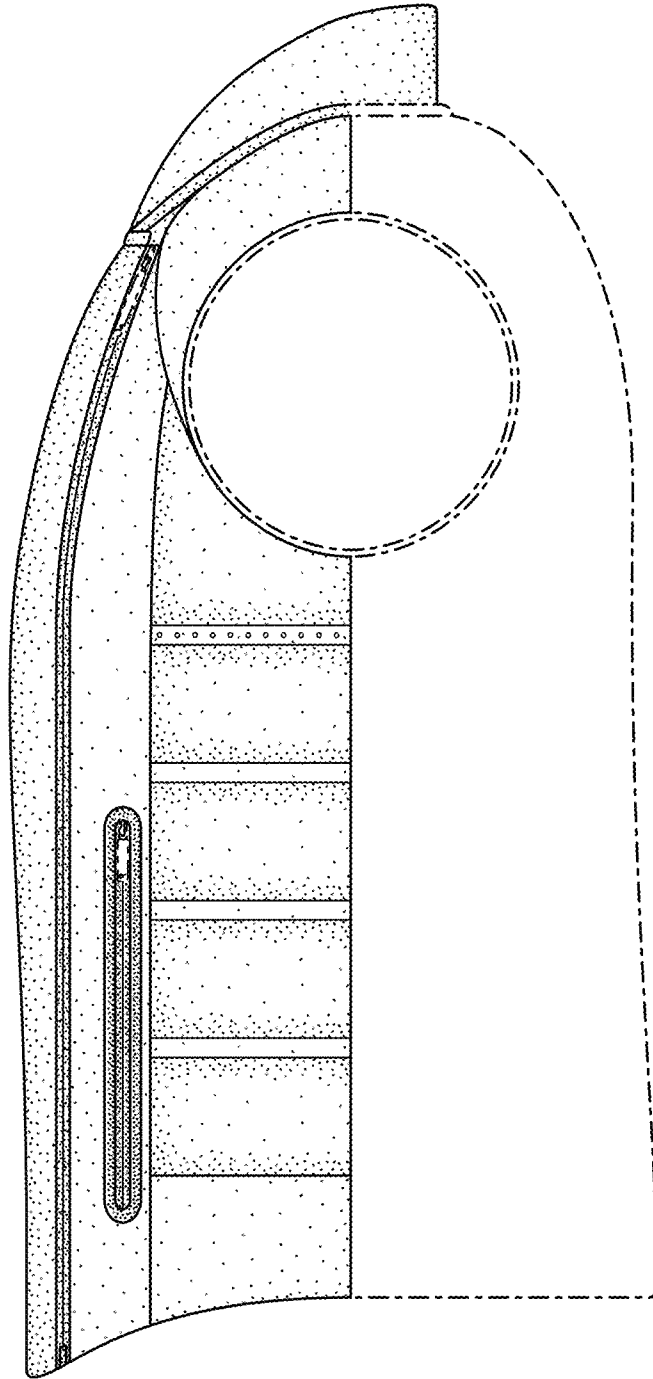


FIG.4

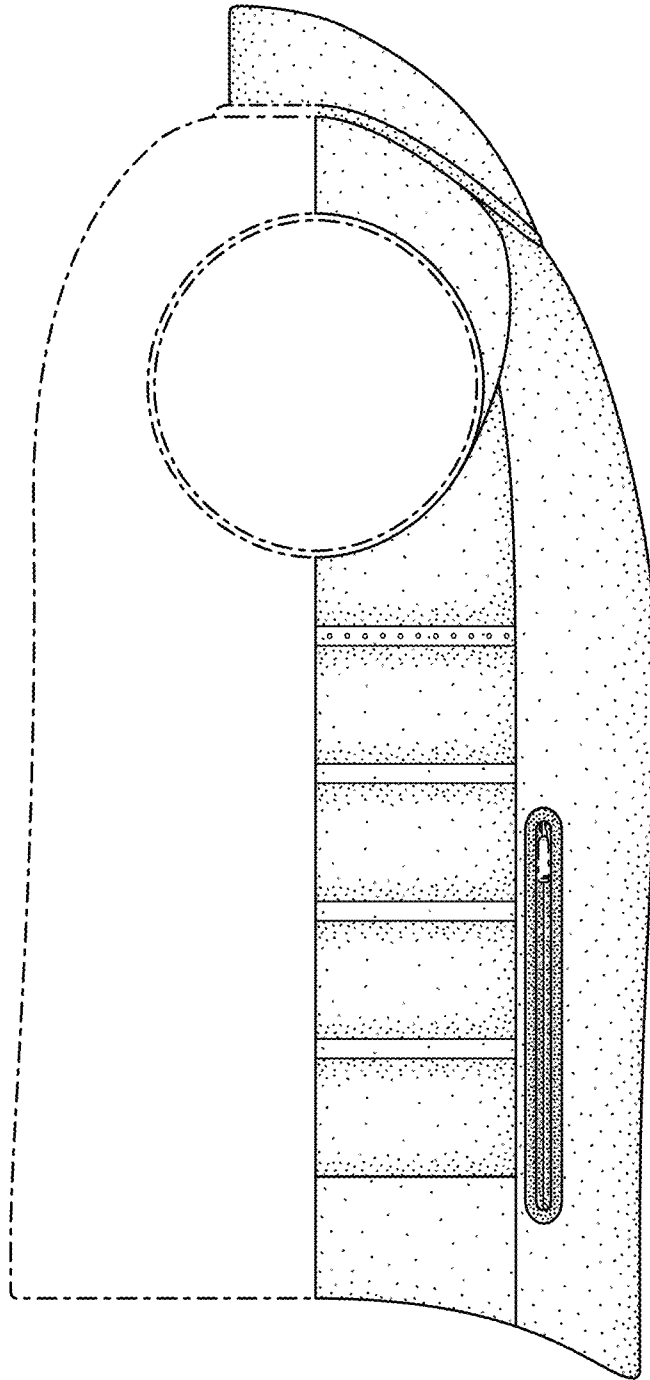


FIG. 5

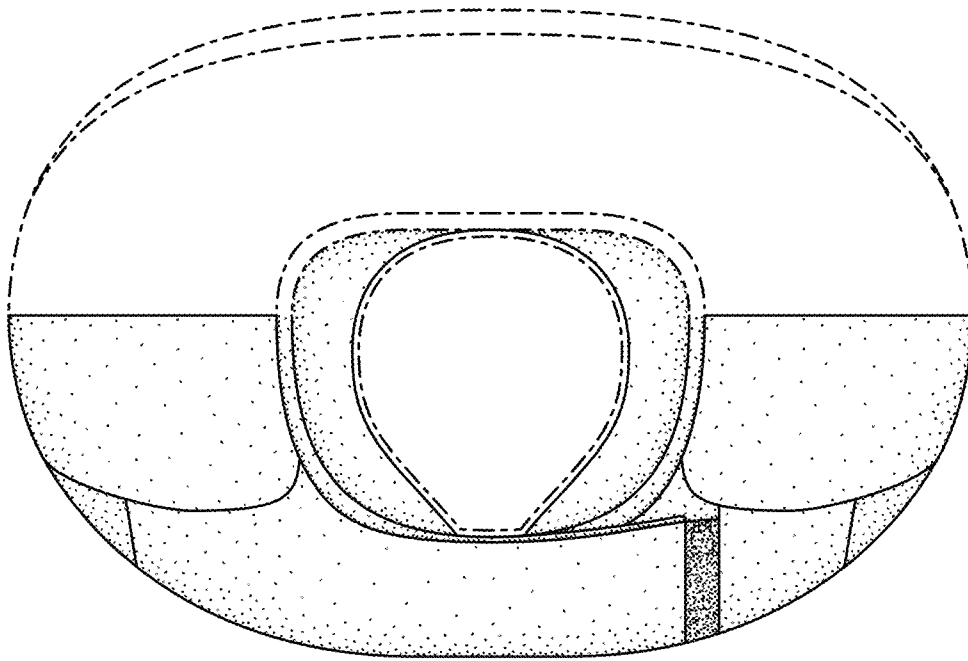


FIG. 6

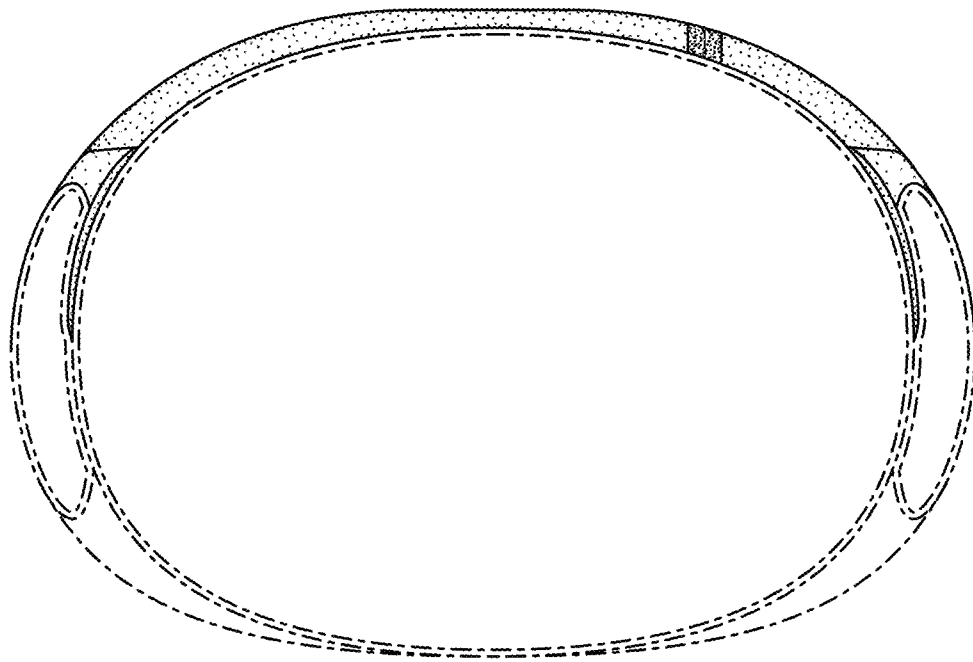


FIG. 7