



US00D745324S

(12) **United States Design Patent**
Malaspino

(10) **Patent No.:** **US D745,324 S**

(45) **Date of Patent:** **** Dec. 15, 2015**

- (54) **BEVERAGE VESSEL**
- (71) Applicant: **True Fabrications, Inc.**, Seattle, WA
(US)
- (72) Inventor: **Erin Marie Malaspino**, Seattle, WA
(US)
- (73) Assignee: **TRUE FABRICATIONS, INC.**, Seattle,
WA (US)
- (**) Term: **14 Years**
- (21) Appl. No.: **29/498,483**
- (22) Filed: **Aug. 4, 2014**
- (51) **LOC (10) Cl.** **07-01**
- (52) **U.S. Cl.**
USPC **D7/532; D7/523**
- (58) **Field of Classification Search**
USPC D7/509, 512, 514, 516, 517, 523, 529,
D7/532, 591, 594, 608, 624.1, 624.2, 391,
D7/392.1, 396.2, 396.4, 519, 607, 524,
D7/527, 528; D9/501, 502, 444;
220/592.16, 592.17, 592.23, 592.24,
220/674, 676; 229/400, 403, 405; 215/382;
206/520; D11/3, 4, 6; D3/202; D5/1, 2,
D5/3, 4, 17, 23, 25, 29, 58; D25/60, 153,
D25/156, 157, 164, 261, 259
CPC A47G 19/2288; A47G 2023/0291;
A47G 19/2205; A47G 19/22; B65D 3/22;
B65D 1/265
See application file for complete search history.

- D110,279 S * 6/1938 Fuerst D7/532
- D130,277 S * 11/1941 Eggleton D7/532
- D173,106 S * 9/1954 Foster D7/524
- D371,936 S * 7/1996 Goto et al. D7/523
- D416,757 S * 11/1999 Ginuntoli D7/523
- D433,599 S * 11/2000 Kristiansen et al. D7/523
- D433,876 S * 11/2000 Freed D7/532
- D469,658 S * 2/2003 Norris et al. D7/523
- D472,101 S * 3/2003 Janky D7/532
- D474,077 S * 5/2003 Hatsumoto D7/608
- D475,891 S * 6/2003 Bin D7/510
- D479,437 S * 9/2003 Gluck D7/523
- D506,642 S * 6/2005 Dirstein et al. D7/529
- D509,707 S * 9/2005 Tien D7/510
- D533,404 S * 12/2006 Mansfield D7/513
- D534,770 S * 1/2007 Gluck D7/532
- D546,125 S * 7/2007 Bhavnani D7/523
- D553,439 S * 10/2007 Bodum D7/523
- D563,723 S * 3/2008 Gluck D7/396.2
- D568,103 S * 5/2008 Bodum D7/523
- D569,183 S * 5/2008 Blake D7/513
- D572,083 S * 7/2008 Tien D7/510
- D581,739 S * 12/2008 Bodum D7/523
- D582,213 S * 12/2008 Kehrein et al. D7/523
- D582,723 S * 12/2008 Renz et al. D7/523

(Continued)

Primary Examiner — Marianne Pandozzi
Assistant Examiner — Jae Liang
(74) *Attorney, Agent, or Firm* — Vicky Kaur Bajwa

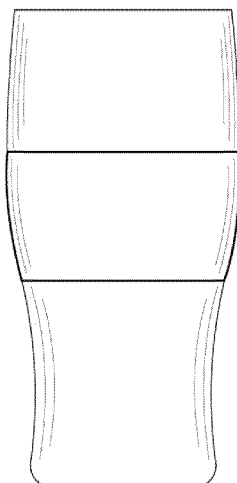
(57) **CLAIM**
The ornamental design for a beverage vessel, as shown and described.

DESCRIPTION

FIG. 1 is a front elevational view of a beverage vessel showing my new design; the rear view being a mirror image thereof; FIG. 2 is a left side elevational view thereof; the right side view being a mirror image thereof; FIG. 3 is a top view thereof; and, FIG. 4 is a bottom view thereof.

1 Claim, 3 Drawing Sheets

- (56) **References Cited**
U.S. PATENT DOCUMENTS
D79,276 S * 8/1929 Arduser D7/528
D98,420 S * 2/1936 Deskey D7/523
D107,990 S * 1/1938 Hansen D7/532
D110,278 S * 6/1938 Fuerst D7/532



(56)

References Cited

U.S. PATENT DOCUMENTS

D599,619 S *	9/2009	Bodum	D7/509	D648,179 S *	11/2011	Myers	D7/523
D599,622 S *	9/2009	Gilbert et al.	D7/538	D648,599 S *	11/2011	Watanabe et al.	D7/523
D637,456 S *	5/2011	Creech et al.	D7/523	D648,985 S *	11/2011	Chiu et al.	D7/510
D639,113 S *	6/2011	Hayes	D7/509	D654,319 S *	2/2012	Myers	D7/523
				D657,198 S *	4/2012	Bodum	D7/560
				D669,736 S *	10/2012	Bodum	D7/510
				D698,602 S *	2/2014	Beller	D7/523

* cited by examiner

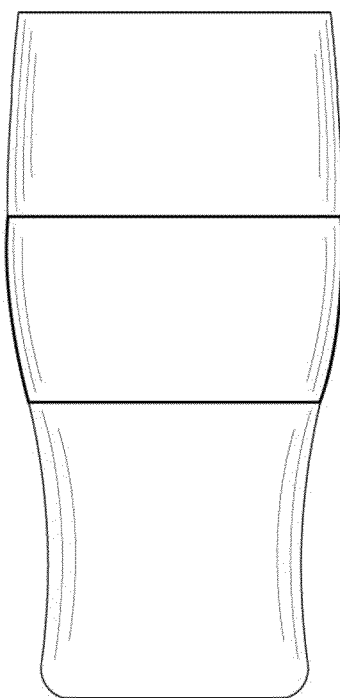


FIG. 1

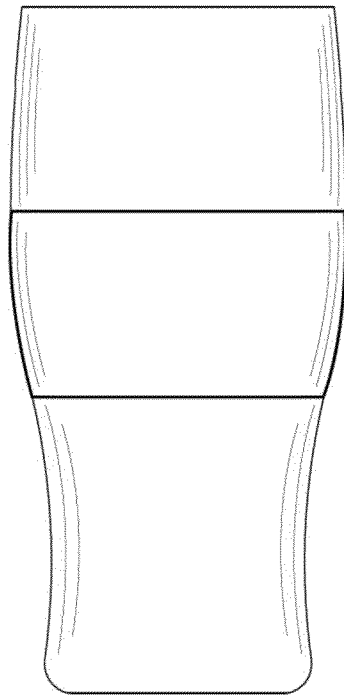


FIG. 2

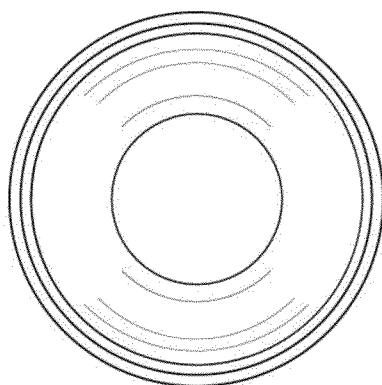


FIG. 3

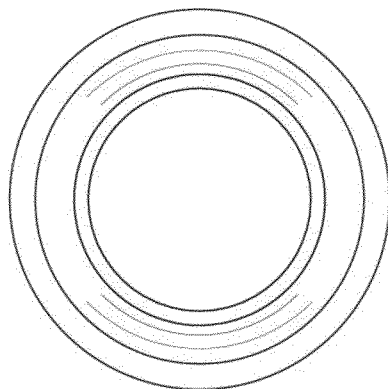


FIG. 4