



US00D825121S

(12) **United States Design Patent**
Kahn et al.

(10) **Patent No.:** **US D825,121 S**
(45) **Date of Patent:** **** Aug. 7, 2018**

- (54) **STEAMER**
- (71) Applicant: **Reliable Corporation**, Toronto (CA)
- (72) Inventors: **Robert Kahn**, Toronto (CA); **Stuart Harvey Lee**, Forest Hills, NY (US); **Jochen Rainer Schaeppers**, New York, NY (US)
- (73) Assignee: **RELIABLE CORPORATION**, Toronto, Ontario (CA)
- (**) Term: **15 Years**
- (21) Appl. No.: **29/577,631**
- (22) Filed: **Sep. 14, 2016**
- (51) **LOC (11) Cl.** **15-05**
- (52) **U.S. Cl.**
USPC **D32/21**
- (58) **Field of Classification Search**
USPC D32/17, 21-24, 31
CPC D06F 87/00; D06F 75/06; D06F 73/00;
F22B 1/284; F24F 6/025; B44C 7/027;
A47L 11/34
See application file for complete search history.

(56) **References Cited**

U.S. PATENT DOCUMENTS

5,687,278	A *	11/1997	Turner	D06F 73/00
					219/211
D471,682	S *	3/2003	Chen	D32/21
D473,025	S *	4/2003	Simmons	D32/17
D504,198	S *	4/2005	Hopper	D32/17
6,886,373	B2 *	5/2005	Carrubba	D06F 73/00
					68/222
D519,249	S *	4/2006	Liu	D32/21
D520,196	S *	5/2006	Liu	D32/21
D522,192	S *	5/2006	Liu	D32/21
D561,958	S *	2/2008	Hahn	D32/17
D599,511	S *	9/2009	Massip	D32/17
D607,620	S *	1/2010	Massip	D32/17

D627,940	S *	11/2010	Smith	D32/17
8,091,747	B2 *	1/2012	Haan	D06F 57/02
					223/90
D657,100	S *	4/2012	Ediger	D32/17
D659,919	S *	5/2012	Lin	D32/17
D663,496	S *	7/2012	Ediger	D32/17
8,275,248	B2 *	9/2012	Xu	D06F 73/00
					392/386
D669,234	S *	10/2012	Ediger	D32/17

(Continued)

Primary Examiner — Ruth McInroy

(74) *Attorney, Agent, or Firm* — Brooks Kushman P.C.

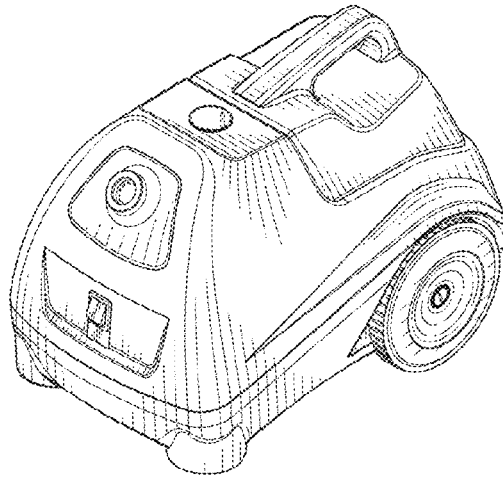
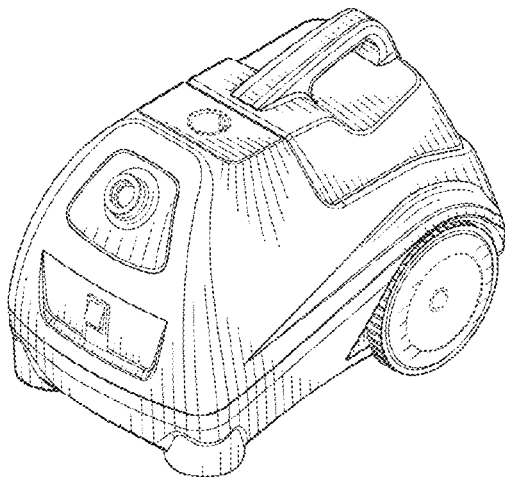
(57) **CLAIM**

The ornamental design for a steamer, as shown and described.

DESCRIPTION

FIG. 1 is a perspective view of a portion of a garment steamer according to one embodiment;
 FIG. 2 is a front side view of the portion of the garment steamer of FIG. 1;
 FIG. 3 is a rear side view of the portion of the garment steamer of FIG. 1;
 FIG. 4 is a left side view of the portion of the garment steamer of FIG. 1;
 FIG. 5 is a right side view of the portion of the garment steamer of FIG. 1;
 FIG. 6 is a top side view of the portion of the garment steamer of FIG. 1;
 FIG. 7 is a perspective view of a second embodiment thereof;
 FIG. 8 is a front view of FIG. 7;
 FIG. 9 is a rear view of FIG. 7;
 FIG. 10 is a left side view of FIG. 7;
 FIG. 11 is a right side view of FIG. 7; and,
 FIG. 12 is a top view of FIG. 7.
 The broken lines are for illustrative purposes only and form no part of the claimed design.

1 Claim, 8 Drawing Sheets



(56)

References Cited

U.S. PATENT DOCUMENTS

8,387,291	B2 *	3/2013	Compeau	D06F 75/12 38/77.9
8,510,909	B2 *	8/2013	Spatz	D06F 73/00 122/459
D695,473	S *	12/2013	Ediger	D32/17
D707,000	S *	6/2014	Massip	D32/17
9,091,016	B2 *	7/2015	Lam	D06F 87/00
9,157,180	B2 *	10/2015	Hu	D06F 58/14
9,194,077	B2 *	11/2015	Carter	D06F 73/00
D762,026	S *	7/2016	Tyler	D32/21
D770,104	S *	10/2016	Koehler	D32/17
9,469,934	B2 *	10/2016	Alrefaei	D06F 73/00
9,493,905	B2 *	11/2016	Ducruet	D06F 87/00

* cited by examiner

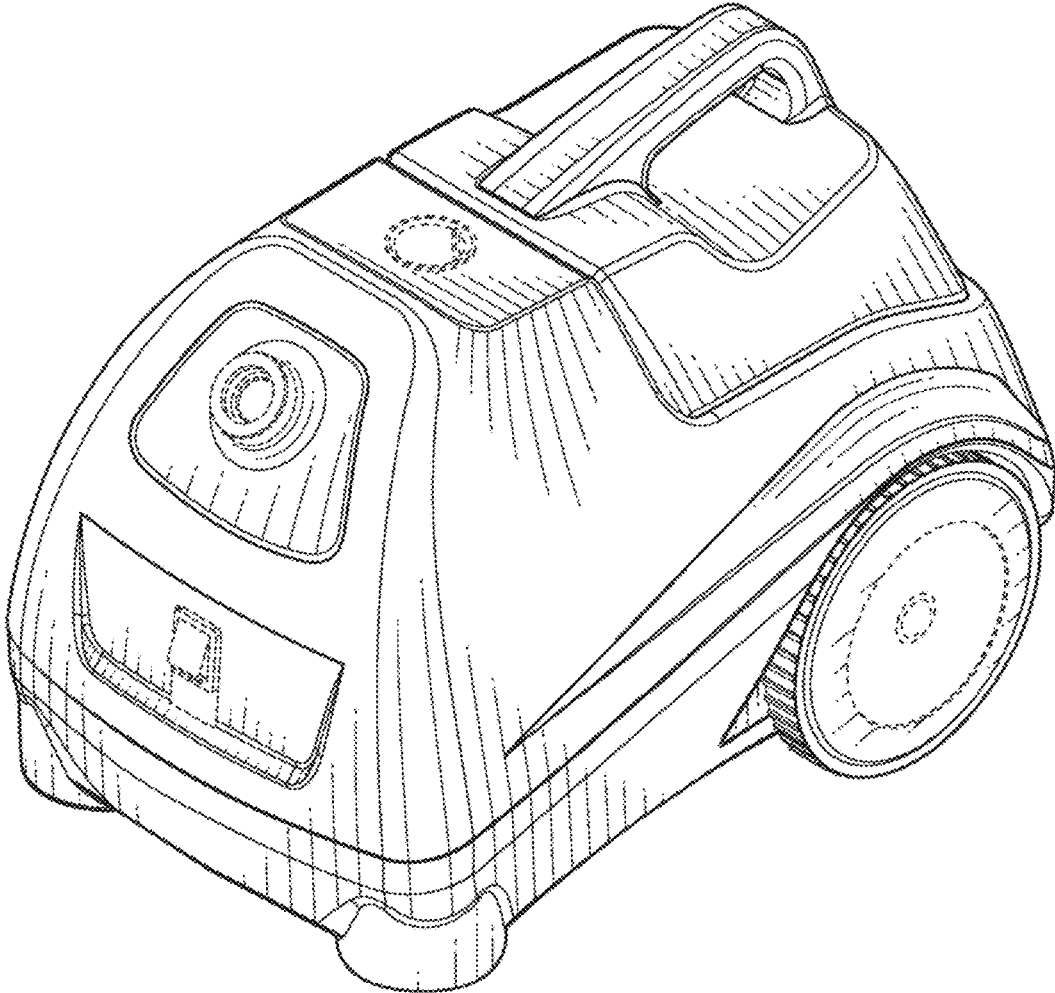


FIG. 1

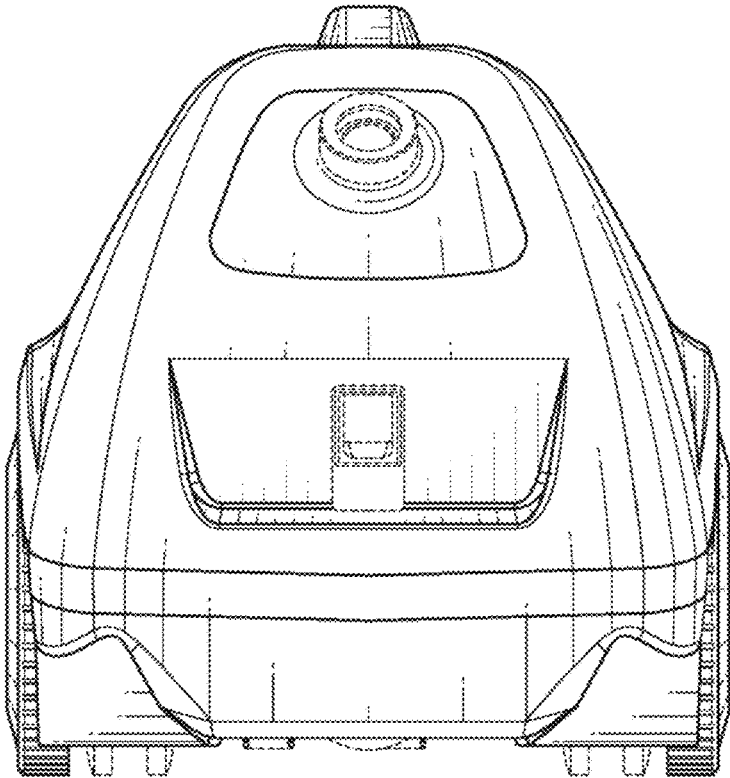


FIG. 2

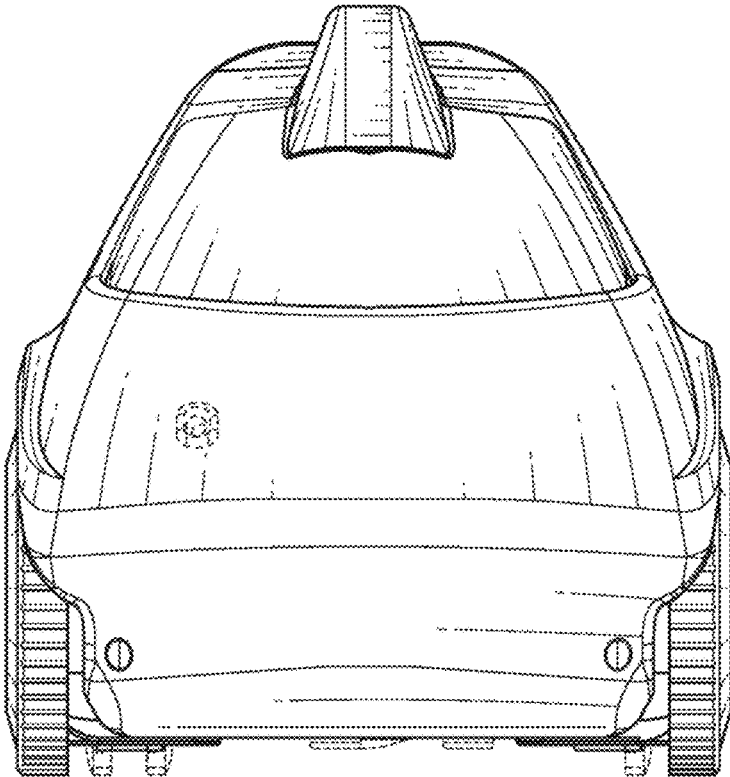


FIG. 3

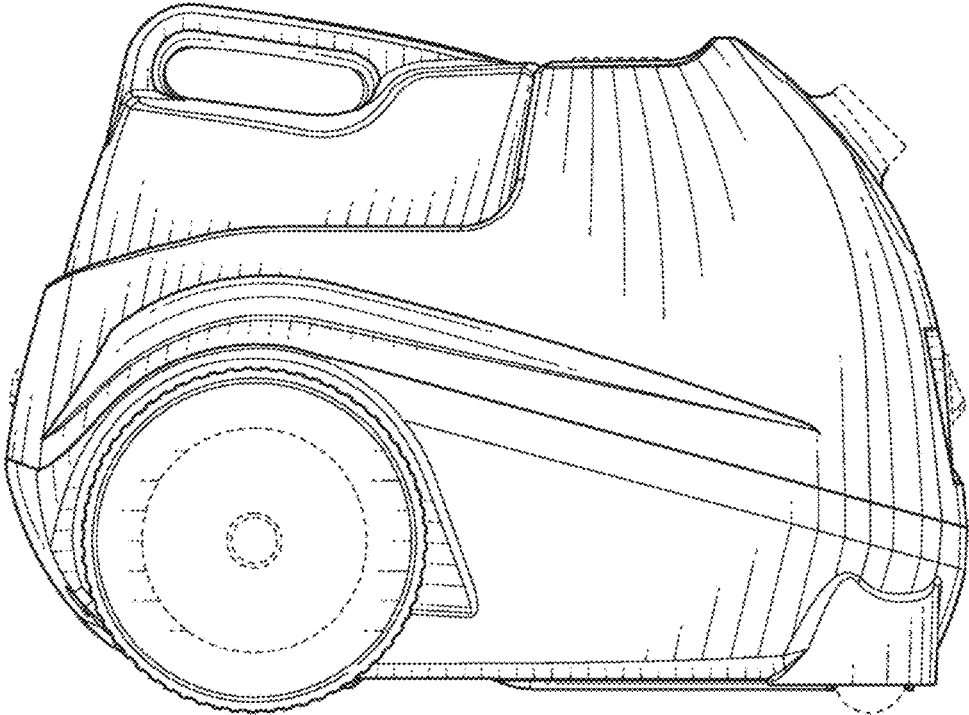


FIG. 4

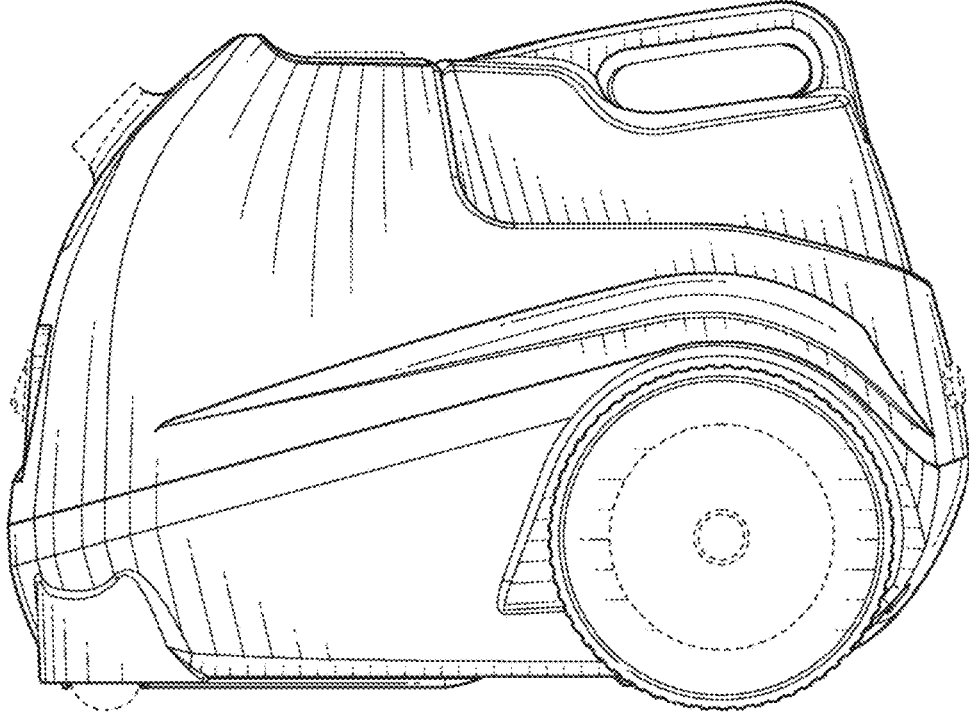


FIG. 5

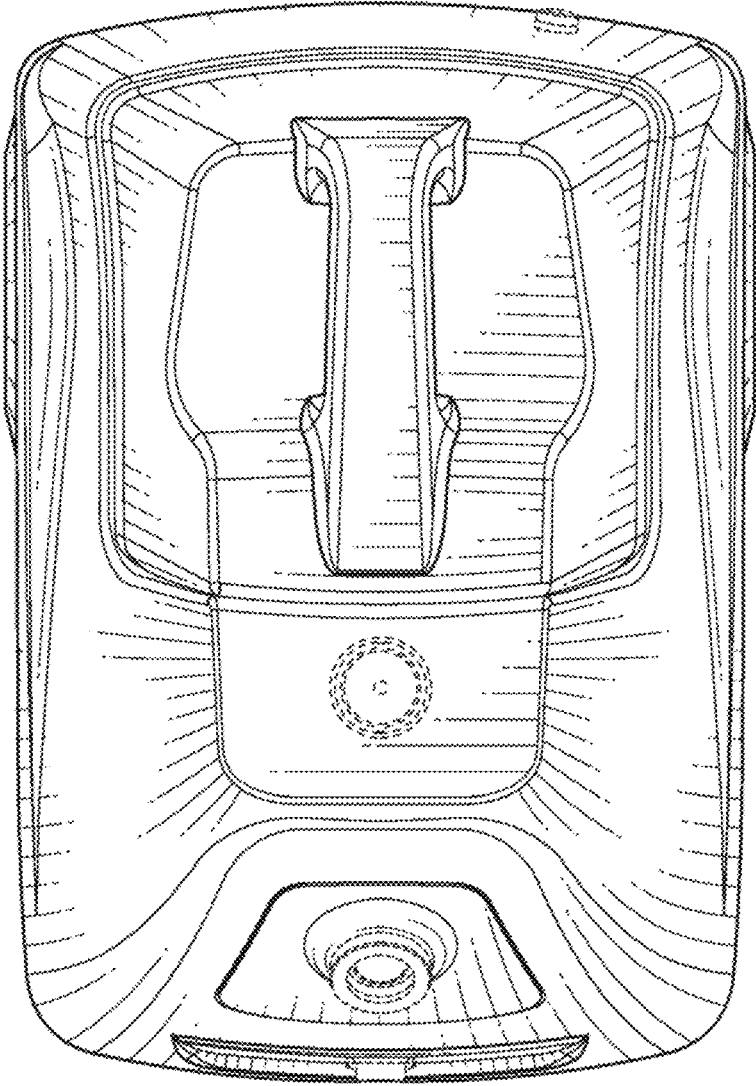


FIG. 6

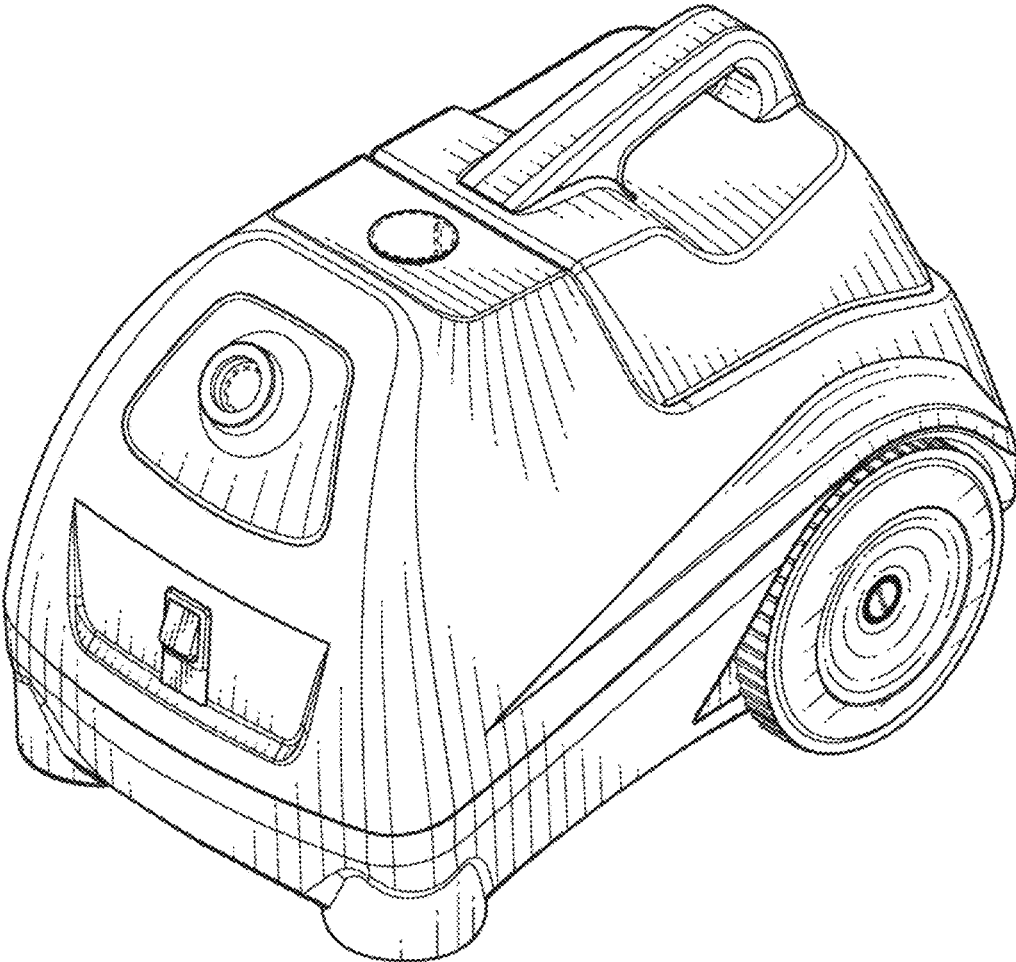


FIG. 7

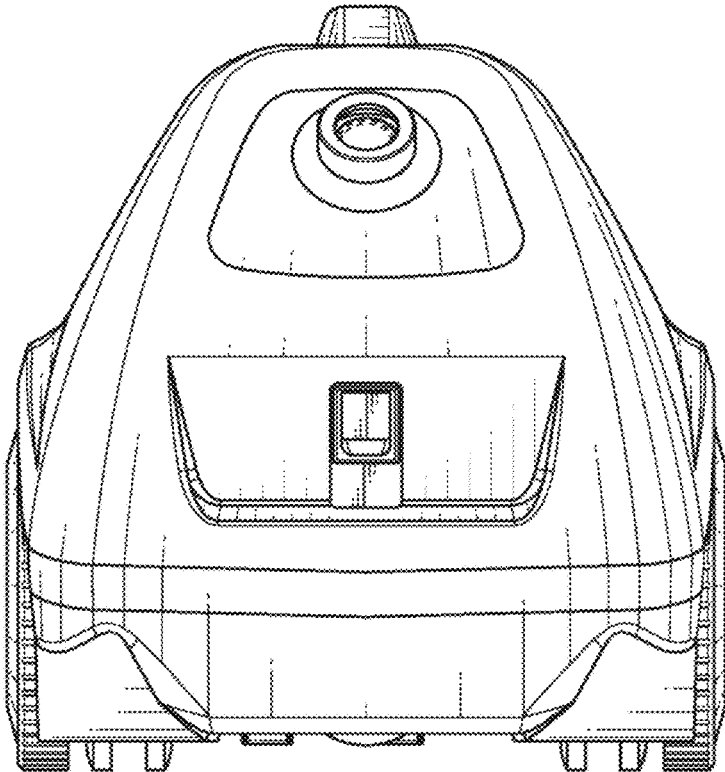


FIG. 8

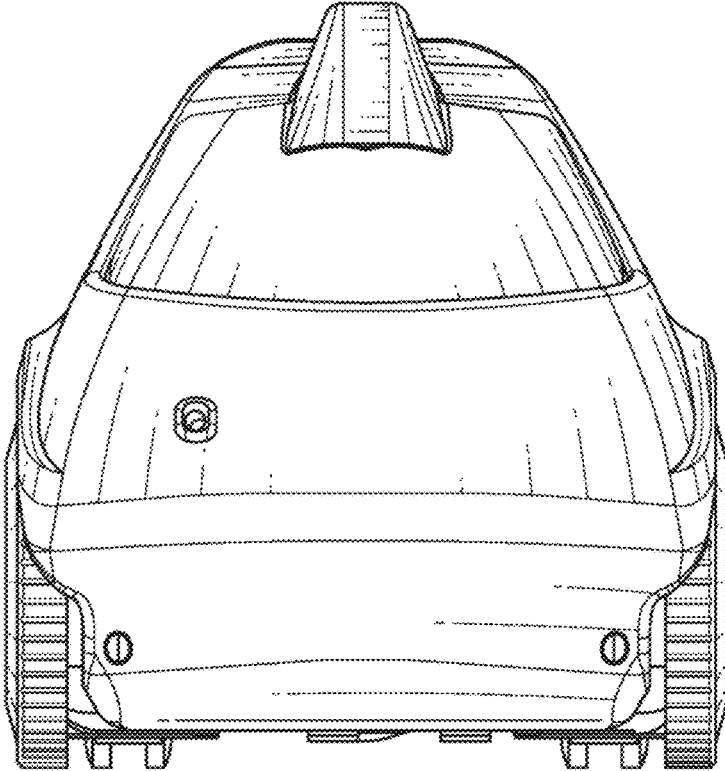


FIG. 9

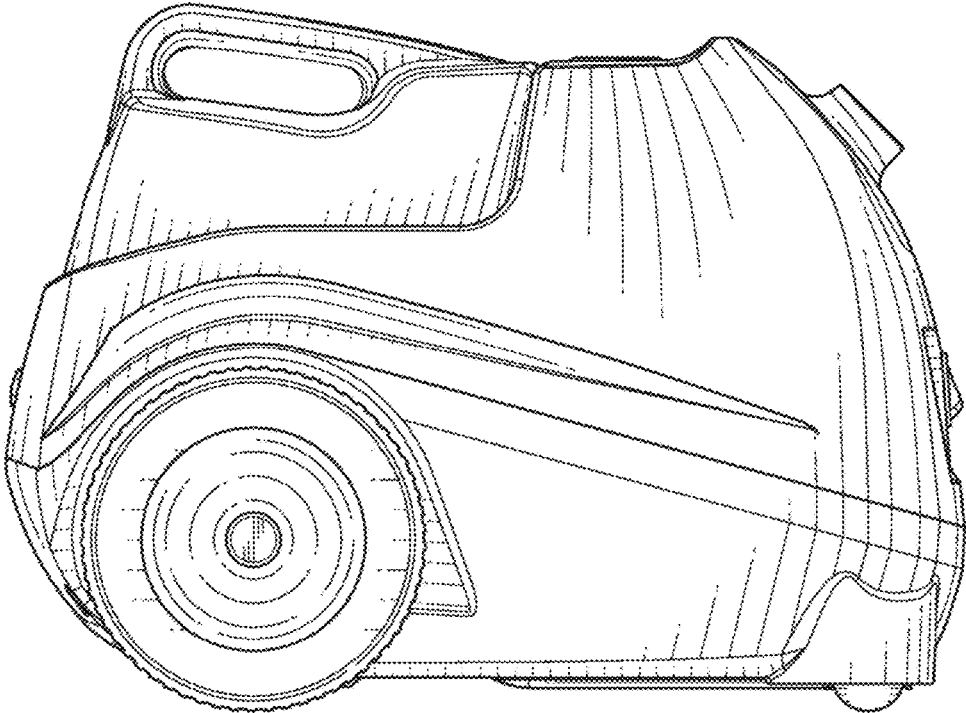


FIG. 10

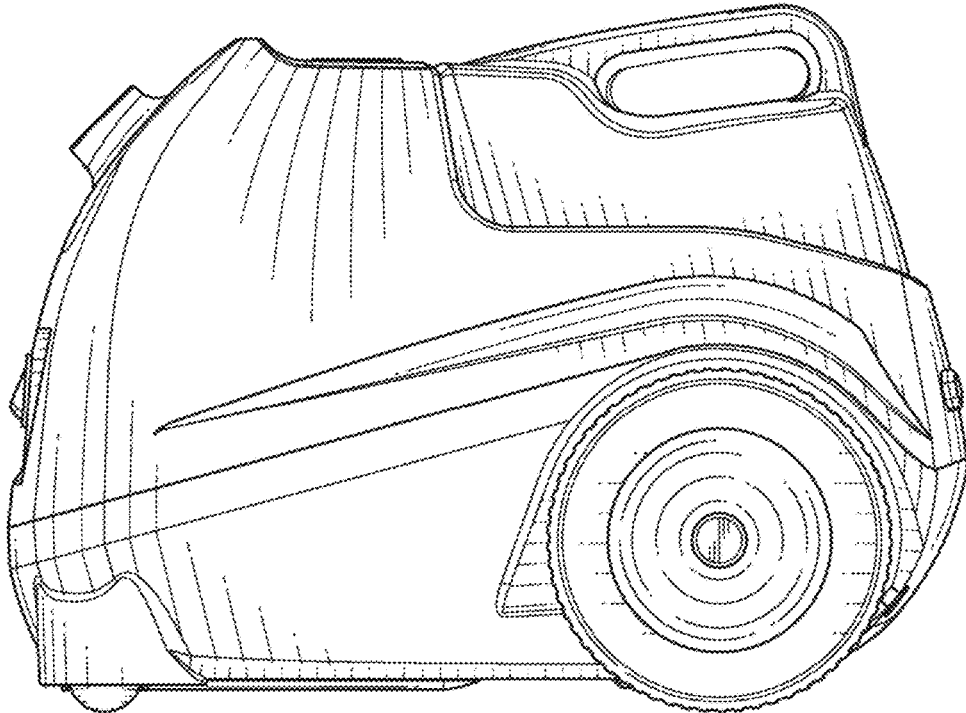


FIG. 11

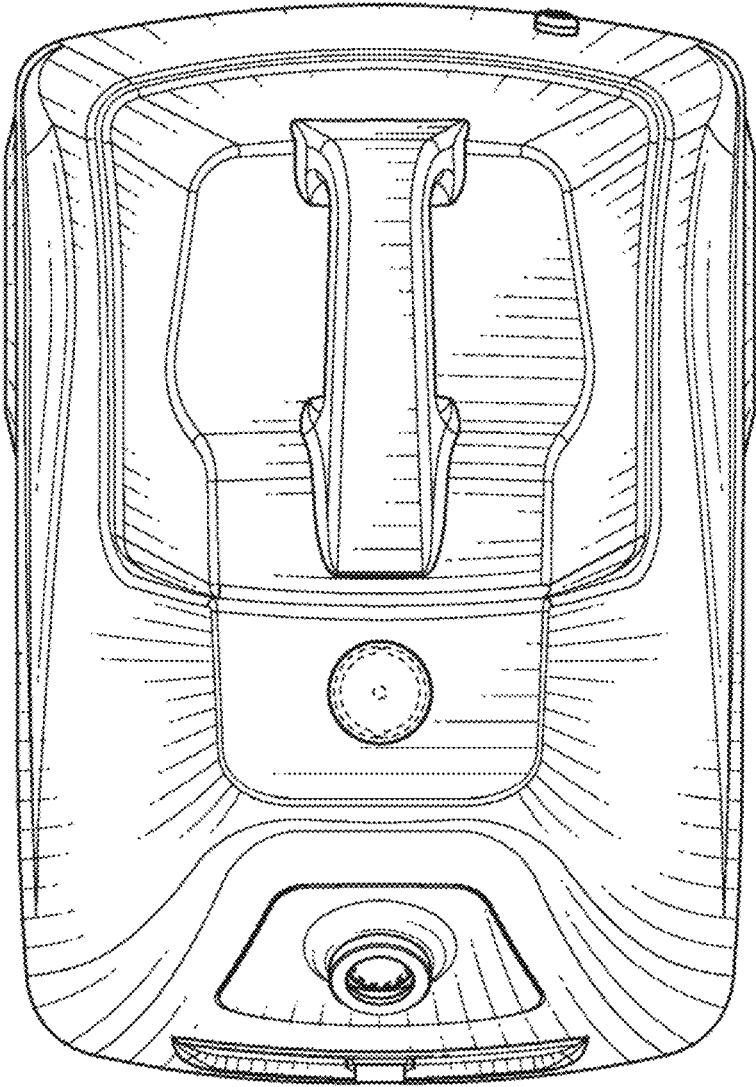


FIG. 12