



US00D738205S

(12) **United States Design Patent**  
**Astorga**

(10) **Patent No.:** **US D738,205 S**

(45) **Date of Patent:** **\*\* Sep. 8, 2015**

(54) **CONTAINER**

- (71) Applicant: **Ricardo Astorga**, Whittier, CA (US)
- (72) Inventor: **Ricardo Astorga**, Whittier, CA (US)
- (73) Assignee: **Peninsula Packaging, LLC**, Exeter, CA (US)
- (\*\*) Term: **14 Years**
- (21) Appl. No.: **29/487,451**
- (22) Filed: **Apr. 8, 2014**
- (51) **LOC (10) Cl.** ..... **09-03**
- (52) **U.S. Cl.**  
USPC ..... **D9/429**

(58) **Field of Classification Search**

USPC ..... D9/414, 415, 416, 419, 420, 421, 422, D9/423, 424, 425, 426, 427, 428, 429, 432, D9/454, 457, 652, 667, 721, 904; D7/619.1; 229/400, 401, 403, 404, 229/405, 406, 407, 779; 220/592.16, 220/656-659, 662, 665, 669-675, 220/4.21-4.27; 206/6.1, 214, 217, 431, 206/503, 514, 521.1, 528, 530, 557, 564, 206/775, 776, 779

CPC ..... A47J 36/06; A47J 47/14; B65D 1/22; B65D 1/34; B65D 1/40; B65D 1/165; B65D 15/02; B65D 21/083; B65D 21/0233; B65D 21/0234; B65D 43/162; B65D 71/50; B65D 77/24; B65D 77/245; B65D 81/3869; B65D 2543/00046; B65D 2543/00083; B65D 2543/00092; B65D 2543/00296; B65D 3/06; B65D 3/28; B65D 5/4204; B65D 7/46; B65D 85/34; B21D 51/18; B21D 51/2646; A45C 11/16

See application file for complete search history.

(56) **References Cited**

U.S. PATENT DOCUMENTS

2,939,603 A	6/1960	Young	
3,351,227 A	11/1967	Collie	
3,351,270 A	11/1967	Hohnjec	
3,356,277 A	12/1967	Hohnjec	
3,396,867 A	8/1968	Garriga	
3,416,690 A	12/1968	Michael	
3,421,682 A	1/1969	Eisenbach	
3,655,110 A	4/1972	Eisenbach	
3,786,982 A	1/1974	Rakes et al.	
3,933,296 A	1/1976	Ruskin et al.	
4,494,650 A	1/1985	Cullen	
4,512,474 A	4/1985	Harding	
D280,182 S *	8/1985	Tyler	D9/425
4,576,330 A	3/1986	Schepp	
4,593,816 A	6/1986	Langenbeck	
4,886,204 A	12/1989	Kalmanides	
4,892,220 A	1/1990	Foos	

(Continued)

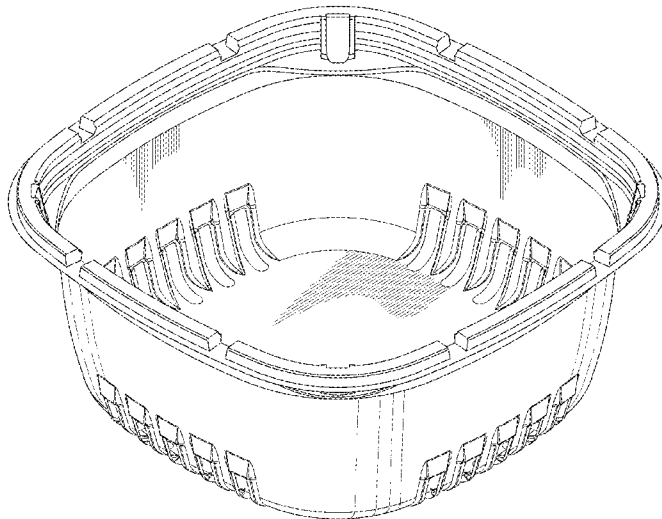
*Primary Examiner* — Karen S Acker  
*Assistant Examiner* — Wendy Arminio  
 (74) *Attorney, Agent, or Firm* — Heidi Eisenhut, Esq.; Loza & Loza, LLP

(57) **CLAIM**  
 The ornamental design for a container, as shown and described.

**DESCRIPTION**

FIG. 1 is a front top left perspective view of a container of the present invention;  
 FIG. 2 is a bottom rear right perspective view of the container of FIG. 1;  
 FIG. 3 is a front elevation view of the container of FIG. 1;  
 FIG. 4 is a rear elevation view of the container of FIG. 1;  
 FIG. 5 is a left side elevation view of the container of FIG. 1;  
 FIG. 6 is a right side elevation view of the container of FIG. 1;  
 FIG. 7 is a top plan view of the container of FIG. 1; and,  
 FIG. 8 is a bottom plan view of the container of FIG. 1.

**1 Claim, 6 Drawing Sheets**



(56)

References Cited

U.S. PATENT DOCUMENTS

5,012,928 A	5/1991	Proffitt et al.	6,845,878 B2	1/2005	Hayes et al.	
D318,420 S	7/1991	Amelse	D506,147 S	6/2005	Hall	
5,031,774 A	7/1991	Morris et al.	7,204,388 B2	4/2007	Galland et al.	
5,046,659 A	9/1991	Warburton	7,243,813 B2	7/2007	Krueger	
5,071,026 A	12/1991	Apps	7,246,714 B2	7/2007	Garg et al.	
5,092,479 A	3/1992	Wells	7,255,231 B2	8/2007	Andrews et al.	
5,156,267 A	10/1992	Yates, Jr. et al.	D569,243 S	5/2008	Kidd et al.	
5,169,014 A	12/1992	Hexamer	D579,326 S	10/2008	Chen	
D343,576 S	1/1994	Krupa	7,441,672 B2	10/2008	Cadiente et al.	
D361,035 S	8/1995	Krupa	7,472,799 B2	1/2009	Cadiente et al.	
D361,036 S	8/1995	Krupa	D601,013 S *	9/2009	Petitjean	D9/426
5,456,379 A	10/1995	Krupa et al.	7,597,206 B2	10/2009	Atkins et al.	
D363,879 S	11/1995	Krupa et al.	D604,604 S	11/2009	Strange	
5,497,894 A	3/1996	Krupa et al.	7,784,615 B2	8/2010	Stahl	
5,515,993 A	5/1996	McManus	7,819,279 B2	10/2010	Galland et al.	
5,584,408 A	12/1996	Orkisz	D628,060 S *	11/2010	Wallach et al.	D9/424
D378,192 S	2/1997	Krupa et al.	D628,472 S *	12/2010	Strange et al.	D9/425
D382,112 S	8/1997	Egan	7,854,339 B2 *	12/2010	Gartz et al.	220/4.22
D382,795 S	8/1997	Abayhan et al.	D668,536 S *	10/2012	Sanfilippo	D9/425
5,653,345 A	8/1997	Knoss et al.	D683,623 S *	6/2013	Chen	D9/426
5,711,978 A	1/1998	Breen et al.	D688,551 S *	8/2013	Wahl	D9/426
5,758,791 A	6/1998	Mangla	8,895,092 B1 *	11/2014	Field et al.	426/129
D397,610 S *	9/1998	Cooper	2003/0052133 A1	3/2003	Hayes et al.	
D399,737 S *	10/1998	Zuhlke et al.	2003/0152670 A1	8/2003	Shih	
5,833,116 A	11/1998	Guillin	2003/0192888 A1	10/2003	Chang	
5,860,549 A	1/1999	Allers et al.	2003/0198714 A1	10/2003	Cadiente et al.	
D409,485 S	5/1999	Christy, Jr.	2005/0040068 A1	2/2005	Palder	
5,979,687 A	11/1999	Hayes et al.	2005/0167317 A1	8/2005	Barrett et al.	
5,992,628 A	11/1999	Vermilion et al.	2005/0247709 A1	11/2005	Atkins et al.	
6,079,554 A	6/2000	Hammitt et al.	2006/0289550 A1	12/2006	Guardigli	
6,085,930 A	7/2000	Curtis	2007/0045631 A1	3/2007	Endo et al.	
D438,100 S	2/2001	Cekota	2007/0095848 A1	5/2007	Galland et al.	
D451,278 S	12/2001	Cooper	2008/0000800 A1	1/2008	LaMarche et al.	
D467,496 S	12/2002	Hayes et al.	2008/0023472 A1	1/2008	Brandt	
6,508,395 B2	1/2003	McLeod	2008/0135556 A1	6/2008	Bontrager et al.	
6,588,612 B1	7/2003	Dorn et al.	2009/0065514 A1	3/2009	Vovan	
D478,282 S	8/2003	Hayes et al.	2009/0134179 A1	5/2009	Kidd et al.	
6,644,494 B2	11/2003	Hayes et al.	2009/0134180 A1	5/2009	Kidd et al.	
6,666,348 B2	12/2003	Fore et al.	2009/0223966 A1	9/2009	Kidd et al.	
			2011/0139785 A1 *	6/2011	Strange et al.	220/283
			2012/0031921 A1 *	2/2012	Cadiente	220/835

\* cited by examiner

FIG. 1

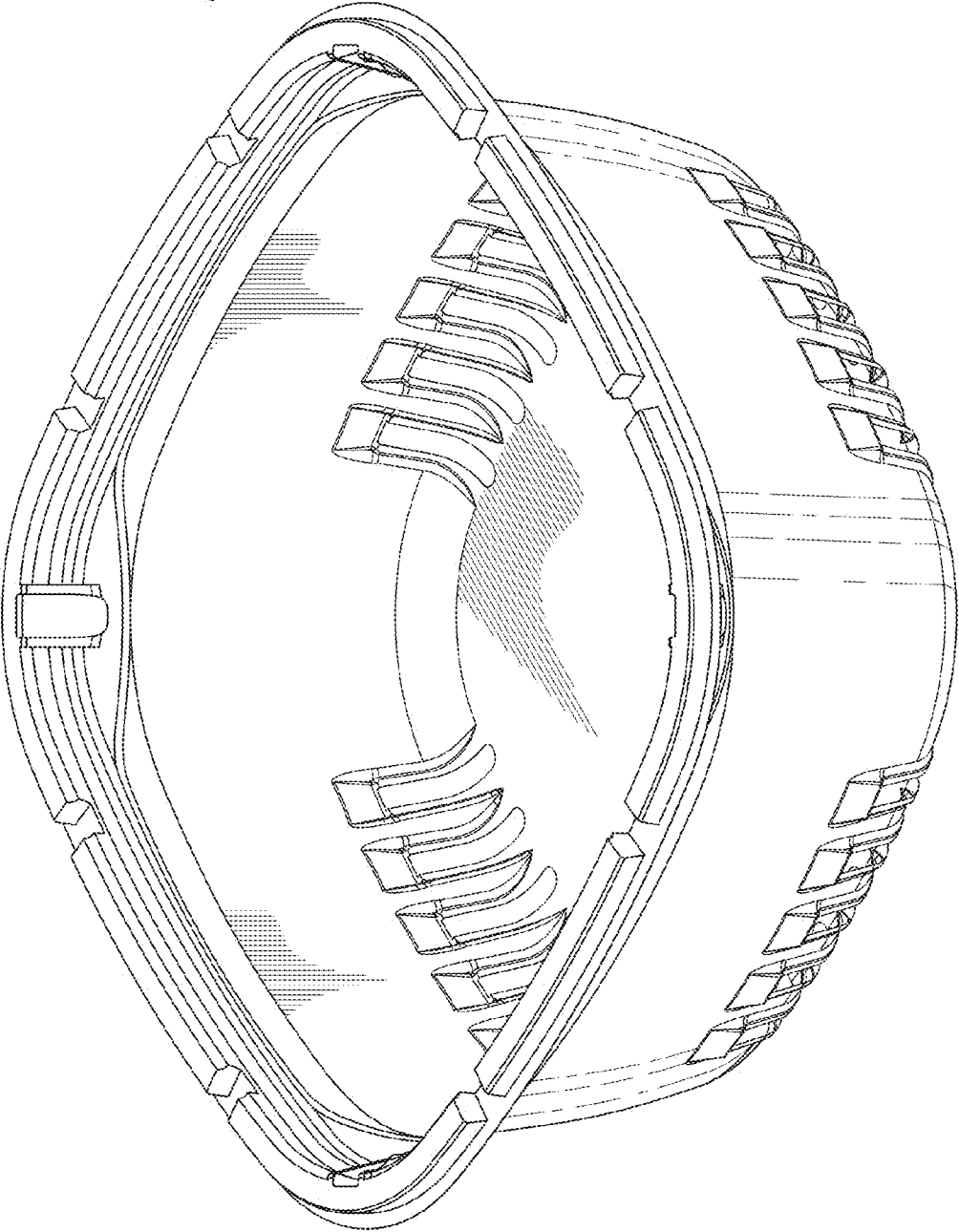
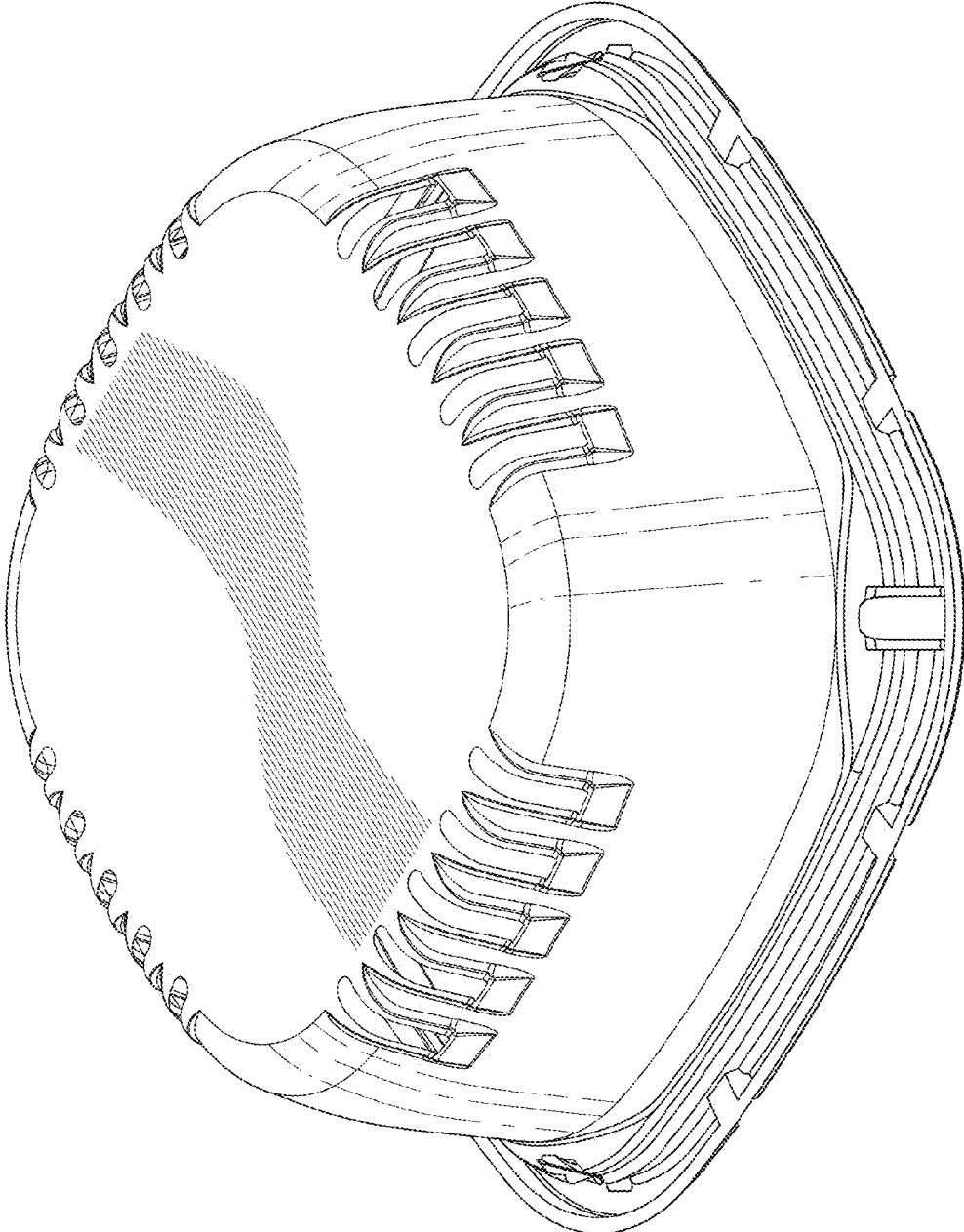


FIG. 2



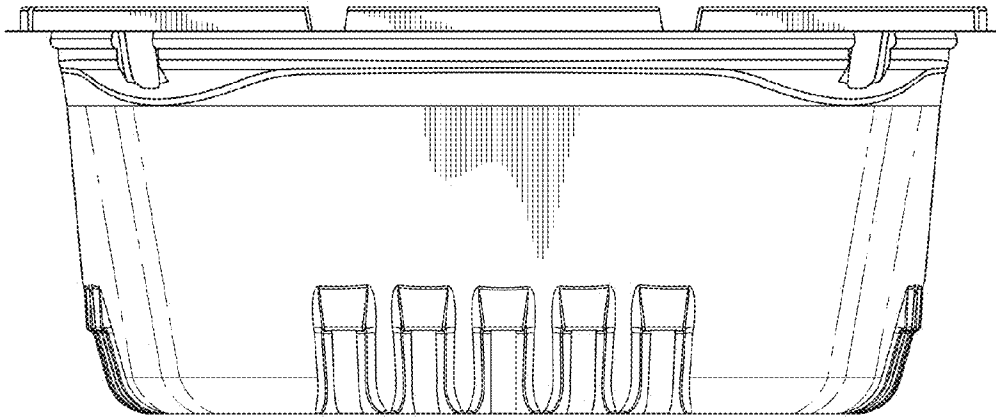


FIG. 3

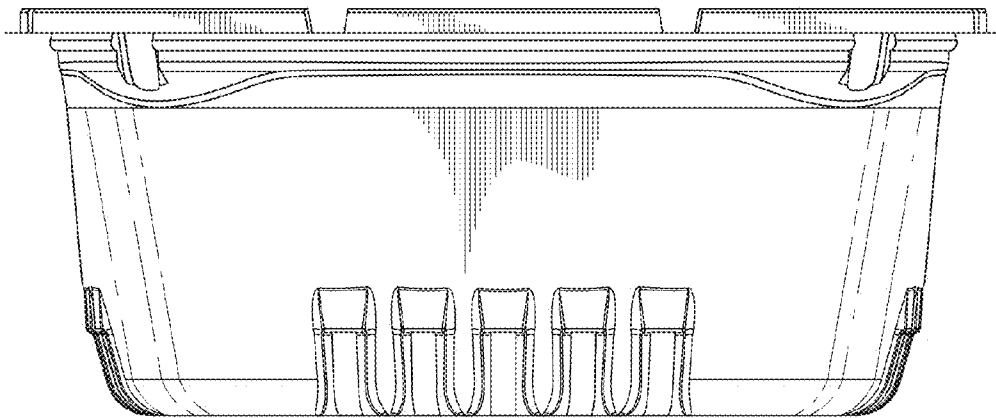


FIG. 4

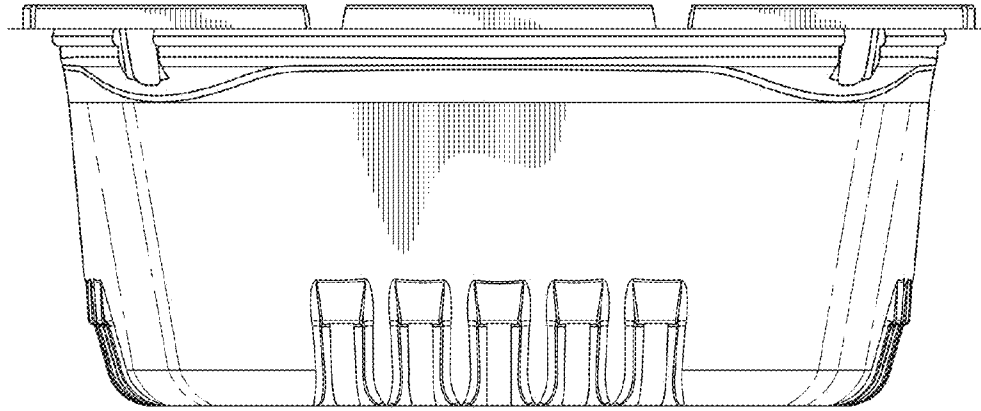


FIG. 5

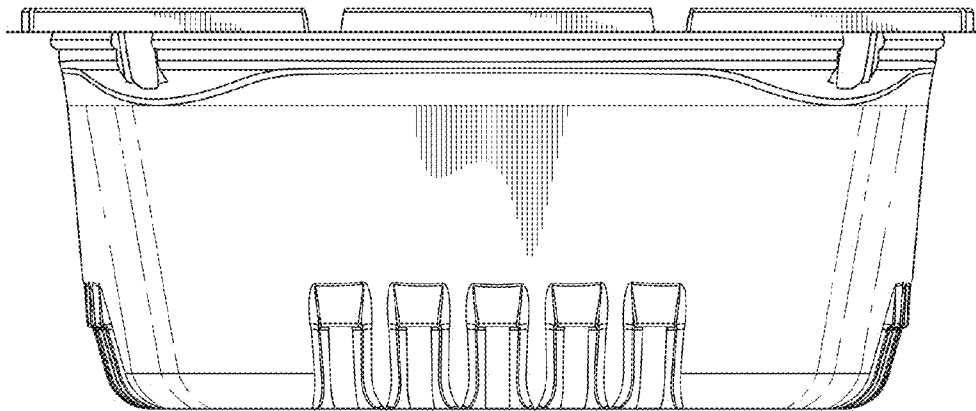


FIG. 6

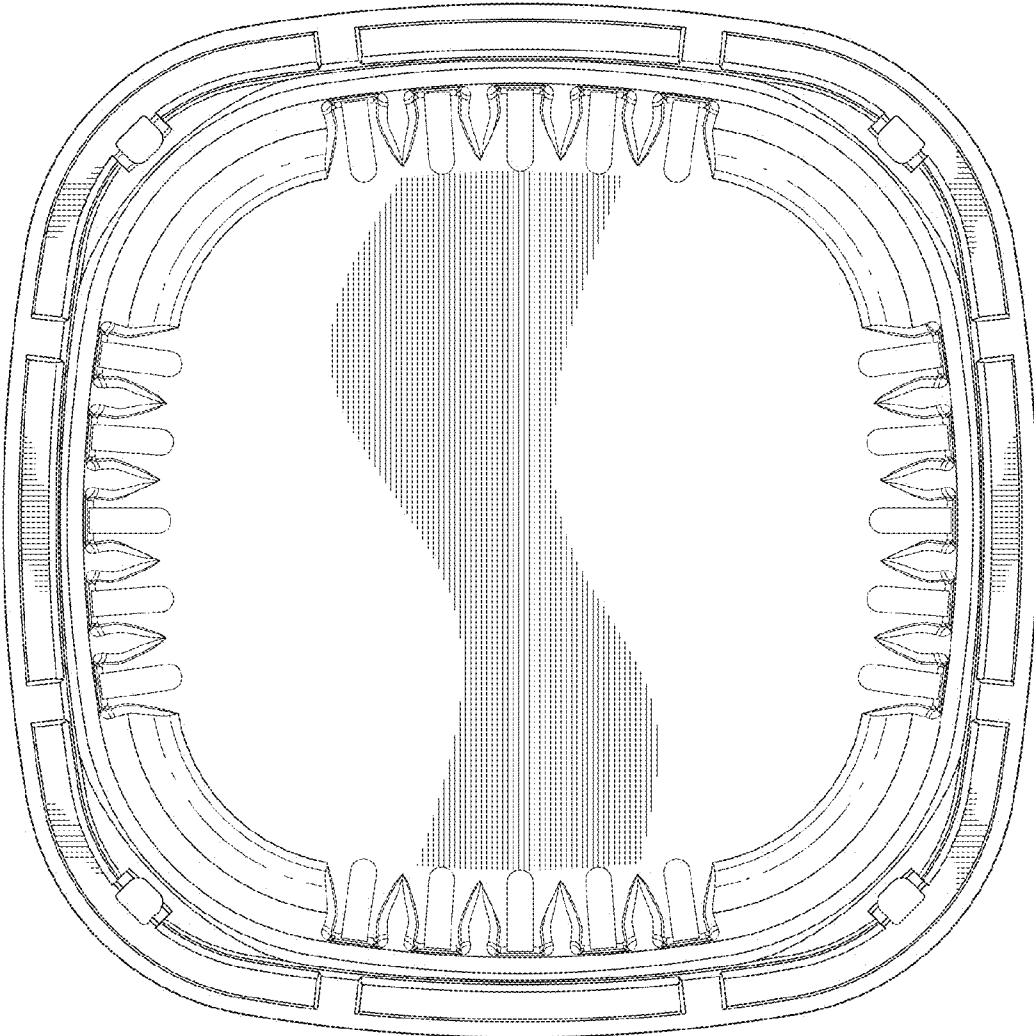


FIG. 7

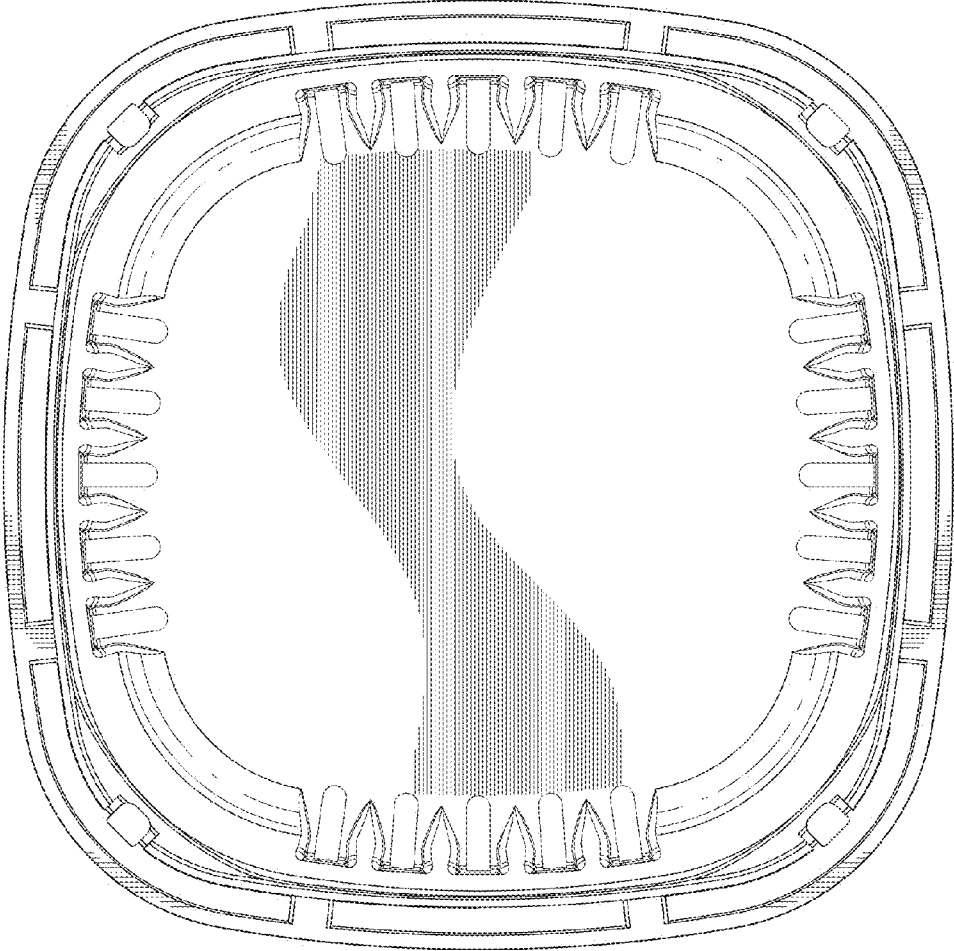


FIG. 8