



US00D980525S

(12) **United States Design Patent**
Fischer

(10) **Patent No.:** **US D980,525 S**
(45) **Date of Patent:** **** Mar. 7, 2023**

- (54) **RAZOR CARTRIDGE HOUSING**
- (71) Applicant: **Edgewell Personal Care Brands, LLC**, Chesterfield, MO (US)
- (72) Inventor: **Stephan Fischer**, Gevelsberg (DE)
- (73) Assignee: **EDGEWELL PERSONAL CARE BRANDS, LLC**, Chesterfield, MO (US)
- (**) Term: **15 Years**
- (21) Appl. No.: **29/777,278**

6,182,365 B1 *	2/2001	Tseng	B26B 21/443	30/34.2
D588,745 S *	3/2009	Fischer	D28/47	
D601,754 S *	10/2009	Keene	D28/47	
8,726,518 B2	5/2014	Bruno		
D731,708 S *	6/2015	Tucker	D28/47	
D737,512 S *	8/2015	Bruno	D28/47	
D844,898 S *	4/2019	Knapp	D28/47	
D850,722 S *	6/2019	Knapp	D28/47	
10,307,923 B2 *	6/2019	Psimadas	B26B 21/4018	
D866,069 S	11/2019	Long et al.		
D905,908 S *	12/2020	Washington	D28/47	
10,898,425 B2 *	1/2021	Wang	A61K 8/8135	
D945,064 S *	3/2022	Lee	D28/47	
2020/0031005 A1 *	1/2020	Kim	B26B 21/225	

* cited by examiner

- (22) Filed: **Apr. 5, 2021**
- (51) **LOC (14) Cl.** **28-03**
- (52) **U.S. Cl.**
USPC **D28/47**
- (58) **Field of Classification Search**
USPC D28/46-48
CPC B26B 21/00; B26B 21/08; B26B 21/22;
B26B 21/40; B26B 21/4012; B26B 21/4018; B26B 21/4025; B26B 21/4037; B26B 21/4068; B26B 21/4075
See application file for complete search history.

Primary Examiner — Alison M Ofstun

(57) **CLAIM**

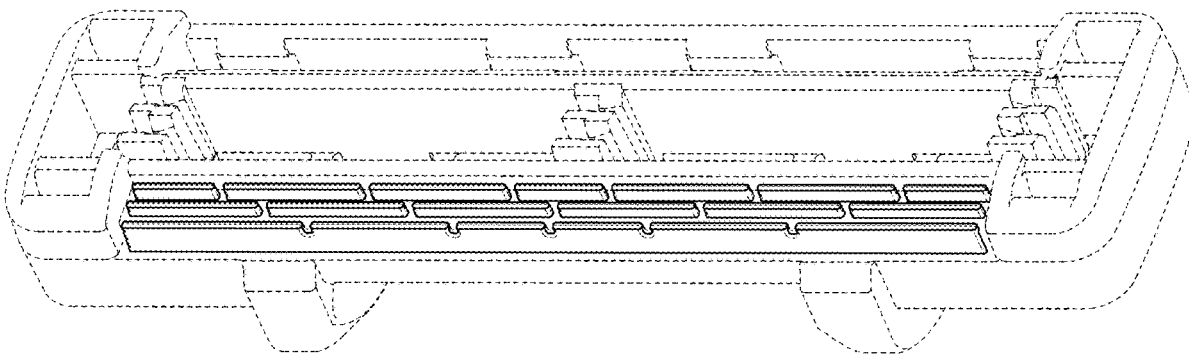
The ornamental design for a razor cartridge housing, as shown and described.

DESCRIPTION

FIG. 1 is an top, front perspective view of a razor cartridge housing.
 FIG. 2 is an top, rear perspective view thereof.
 FIG. 3 is a top view thereof.
 FIG. 4 is a bottom view thereof.
 FIG. 5 is a front view thereof.
 FIG. 6 is a rear view thereof.
 FIG. 7 is a side view thereof; and,
 FIG. 8 is a side view opposite the side shown in FIG. 7.
 The broken lines in the figures are for the purpose of illustrating portions of the razor cartridge housing and form no part of the claimed design.

1 Claim, 5 Drawing Sheets

- (56) **References Cited**
U.S. PATENT DOCUMENTS
- | | | | |
|----------------|---------|--------------|--------------------|
| 5,191,712 A | 3/1993 | Crook et al. | |
| 5,794,343 A | 8/1998 | Lee et al. | |
| 6,032,372 A * | 3/2000 | Dischler | B26B 21/20 |
| | | | 30/346.55 |
| 6,161,288 A * | 12/2000 | Andrews | B26B 29/00 |
| | | | 30/527 |
| 6,167,625 B1 * | 1/2001 | King | B26B 21/4018 |
| | | | 30/34.2 |



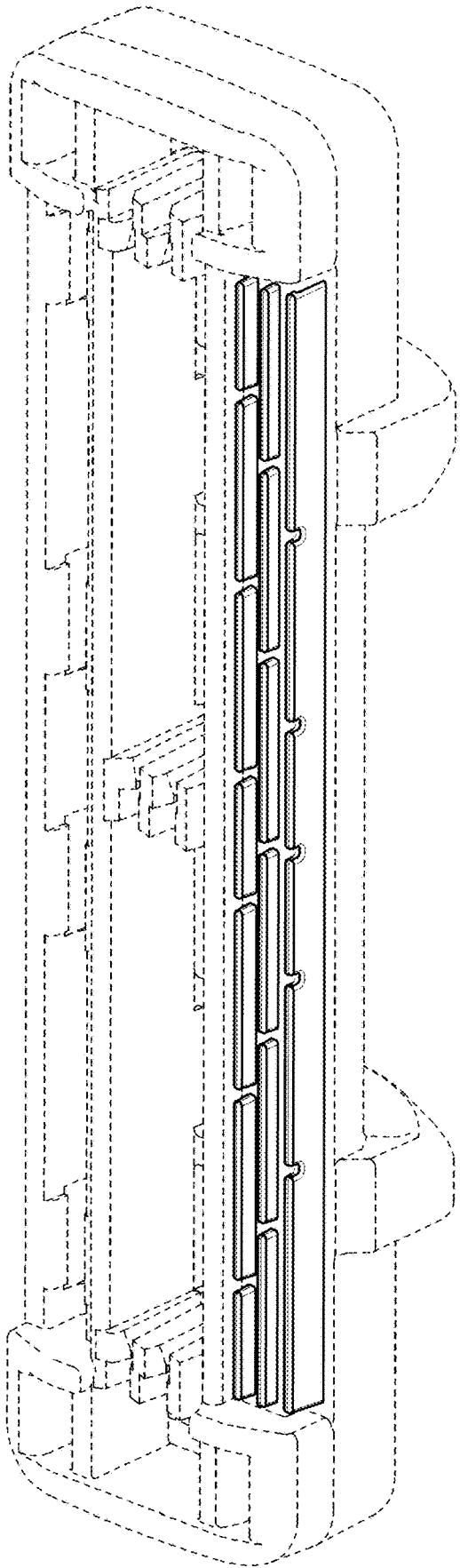


FIG. 1

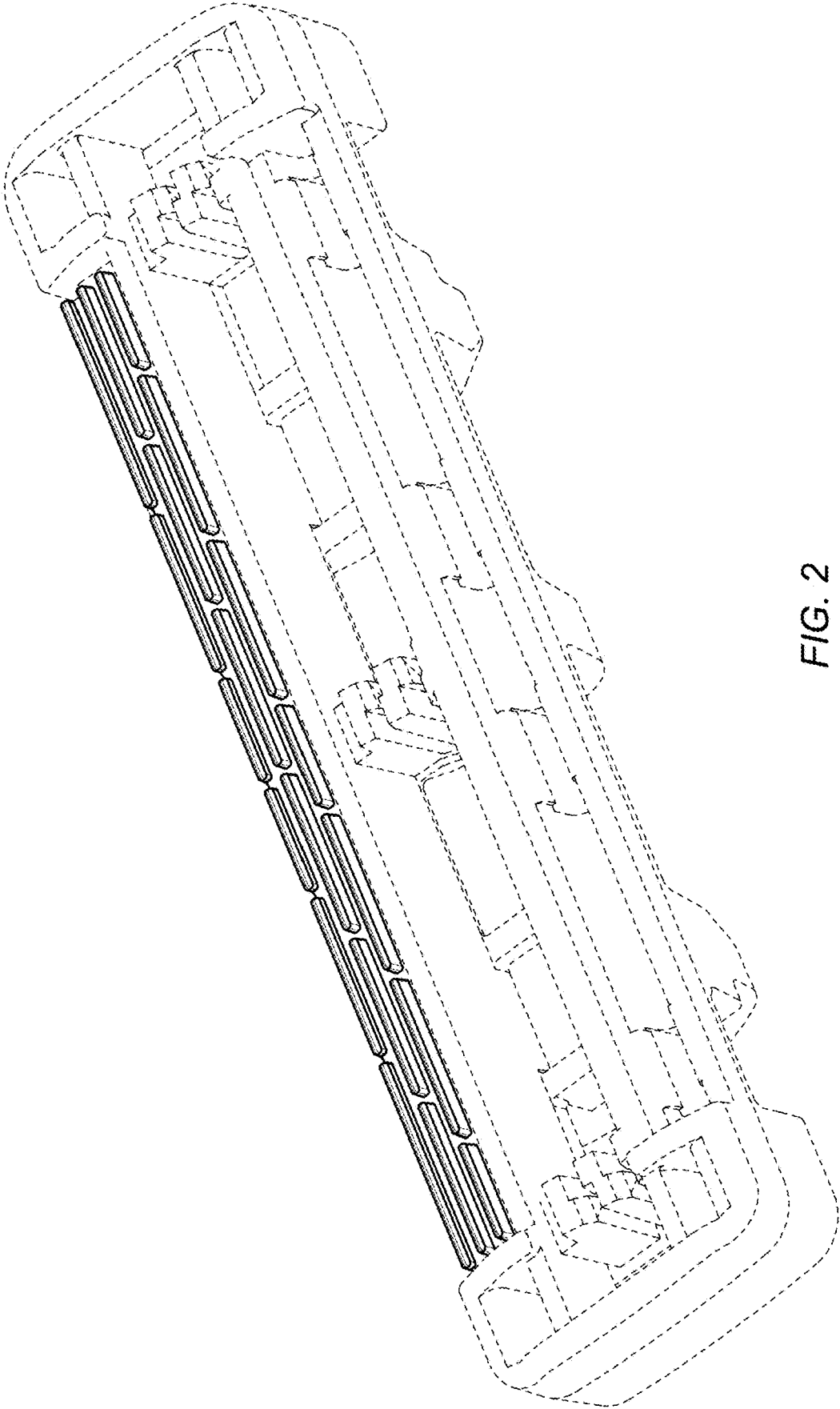


FIG. 2

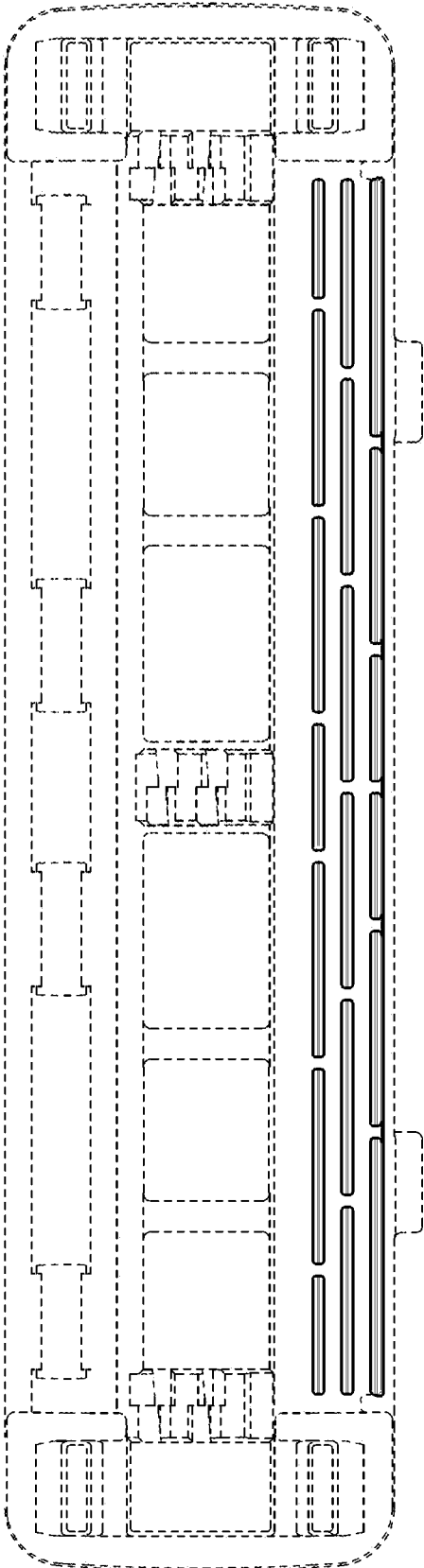


FIG. 3

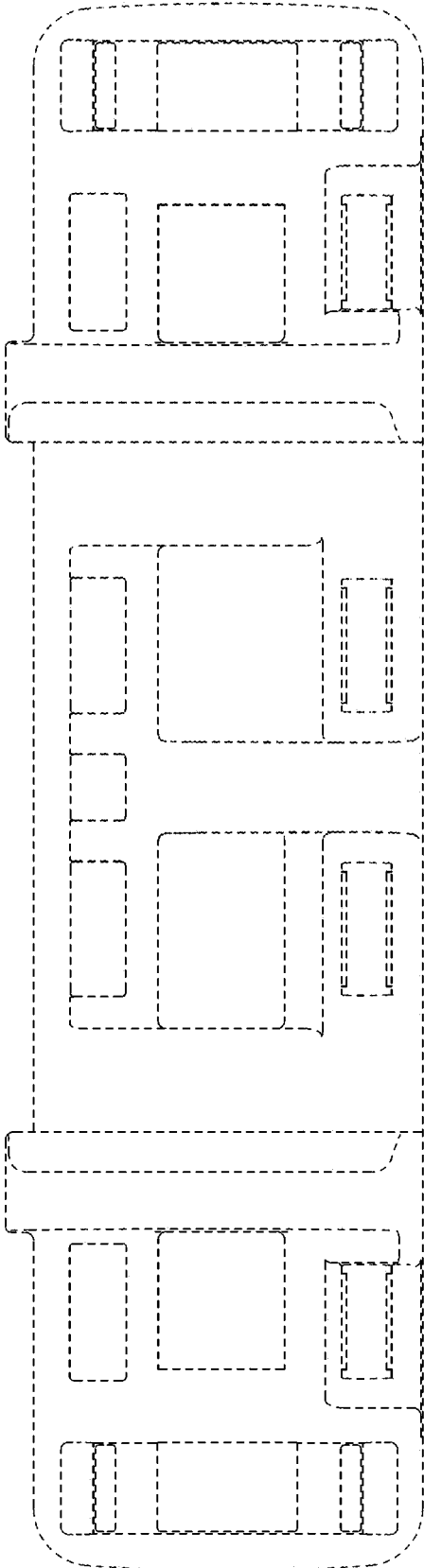


FIG. 4

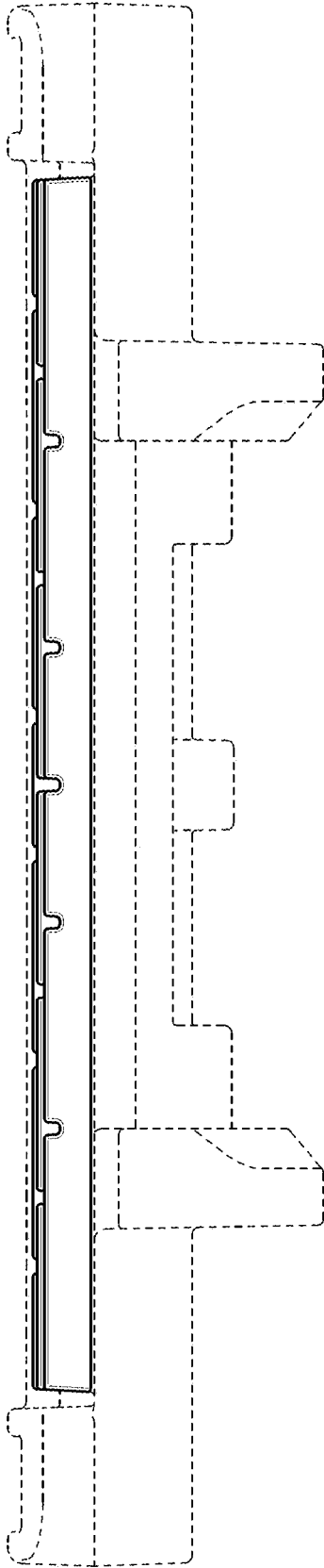


FIG. 5

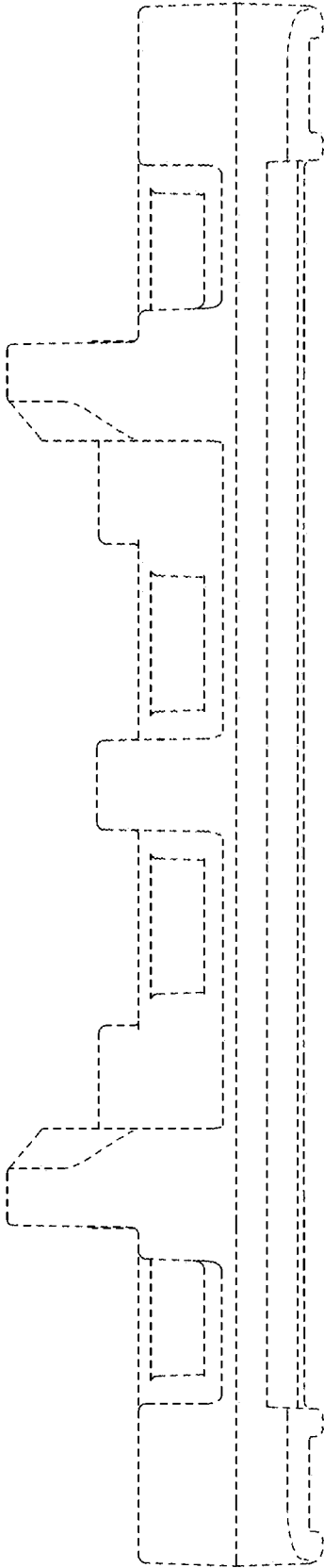


FIG. 6

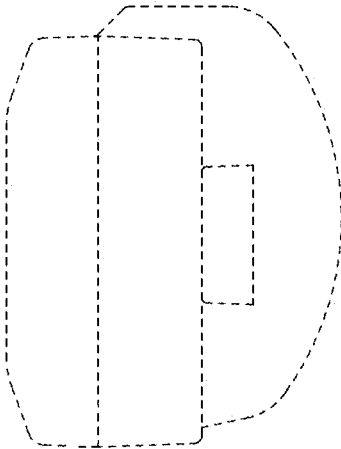


FIG. 7

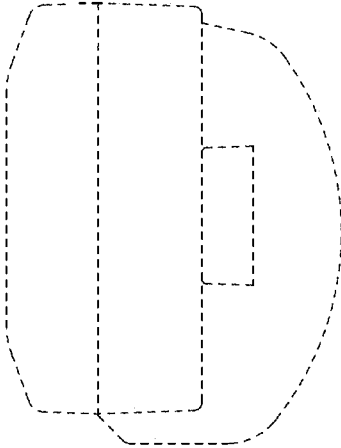


FIG. 8