



(12) **United States Design Patent**
Min et al.

(10) **Patent No.:** **US D870,695 S**
(45) **Date of Patent:** **** Dec. 24, 2019**

(54) **WIRELESS EARPHONE**
(71) Applicant: **LG ELECTRONICS INC.**, Seoul (KR)
(72) Inventors: **Jinki Min**, Seoul (KR); **Dongsoon Kim**, Seoul (KR); **Hyunchul Kim**, Seoul (KR); **Cheolwoong Shin**, Seoul (KR)

D740,255 S * 10/2015 Samrelius D14/206
D741,287 S * 10/2015 Harata D14/205
D761,760 S * 7/2016 Poulsen D14/205
D796,488 S * 9/2017 Yoshimura D14/223
D796,489 S * 9/2017 Arimoto D14/223
D803,184 S * 11/2017 Loh Jun Kern D14/205
D832,824 S * 11/2018 Kim D14/223
D848,980 S * 5/2019 Kim D14/223

* cited by examiner

(73) Assignee: **LG Electronics Inc.**, Seoul (KR)
(**) Term: **15 Years**

Primary Examiner — Michael A. Pratt
(74) *Attorney, Agent, or Firm* — Birch, Stewart, Kolasch & Birch, LLP

(21) Appl. No.: **35/506,300**
(22) Filed: **Jul. 9, 2018**

(80) **Hague Agreement Data**
Int. Filing Date: **Jul. 9, 2018**
Int. Reg. No.: **DM/103310**
Int. Reg. Date: **Jul. 9, 2018**
Int. Reg. Pub. Date: **Jan. 11, 2019**

(57) **CLAIM**

The ornamental design for a wireless earphone, as shown and described.

(30) **Foreign Application Priority Data**
Jan. 10, 2018 (KR) 30-2018-0001543
(51) **LOC (12) Cl.** **14-01**
(52) **U.S. Cl.**
USPC **D14/205**
(58) **Field of Classification Search**
USPC D14/205–206, 223
CPC H04R 1/1008; H04R 5/033; H04R 1/10;
H04R 1/1016
See application file for complete search history.

DESCRIPTION

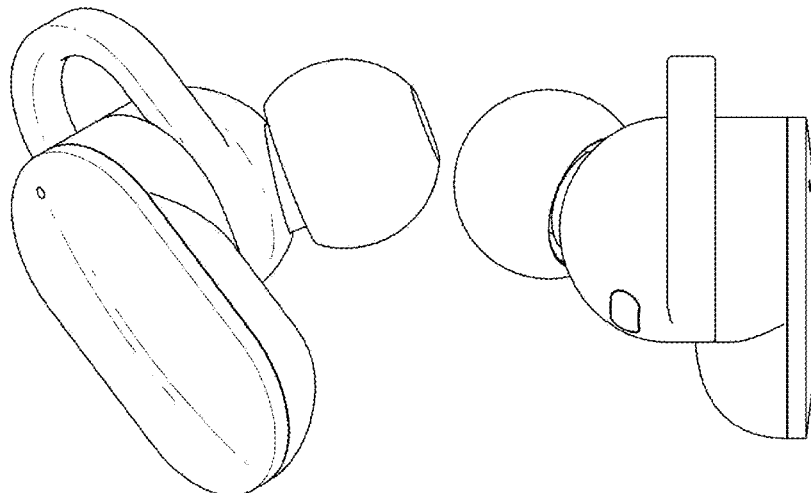
- 1. Wireless earphone
- 1.1 : Perspective
- 1.2 : Front
- 1.3 : Back
- 1.4 : Left
- 1.5 : Right
- 1.6 : Top
- 1.7 : Bottom
- 1.8 : Reference

Reproduction **1.8** is a reference view showing the subject design stowed into a case for the wireless earphone and forms no part of the claimed design.

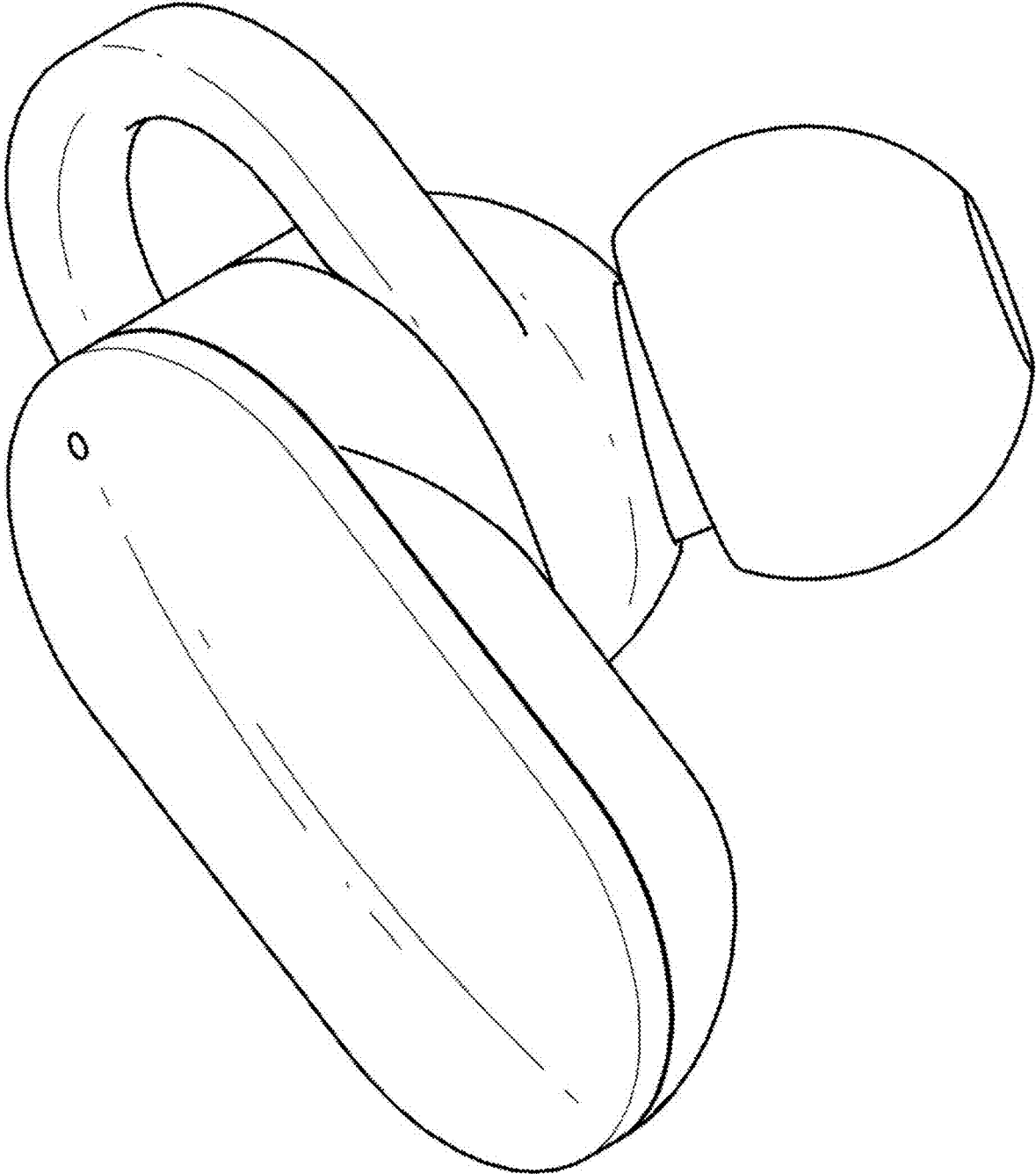
(56) **References Cited**
U.S. PATENT DOCUMENTS

D572,242 S * 7/2008 Yang D14/205
D573,977 S * 7/2008 Ledbetter D14/205
D711,356 S * 8/2014 Yang D14/223
D729,775 S * 5/2015 Seo D14/205

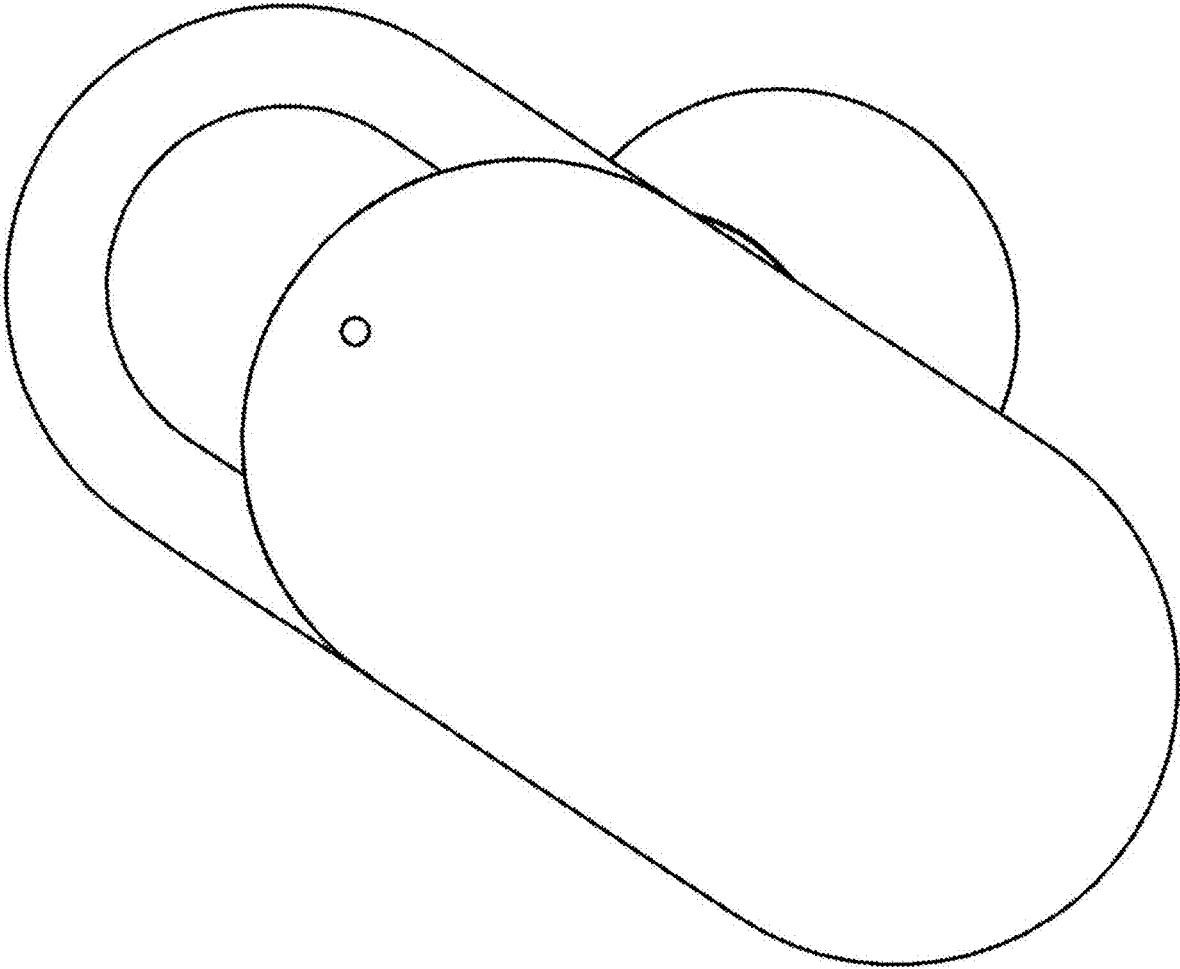
1 Claim, 8 Drawing Sheets



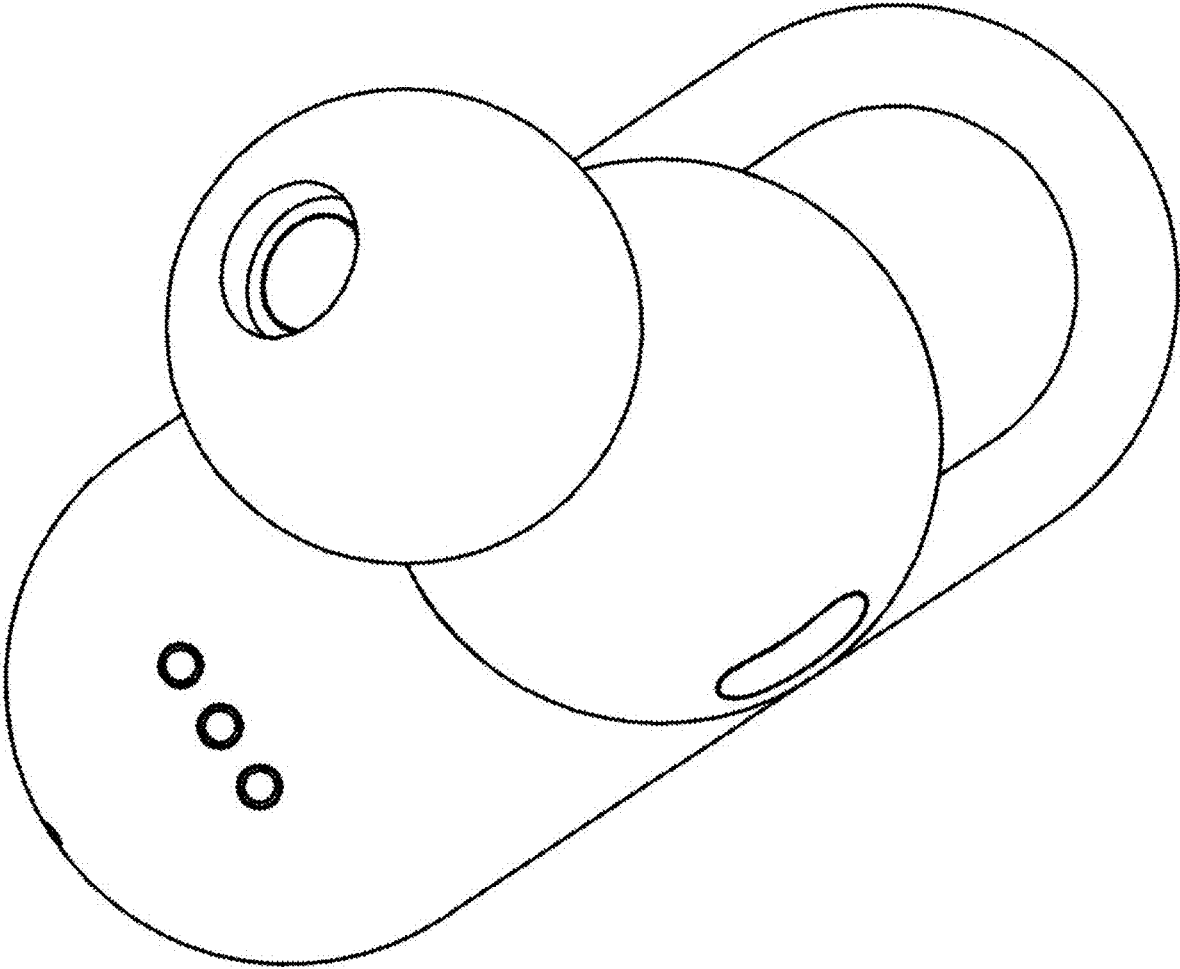
1.1



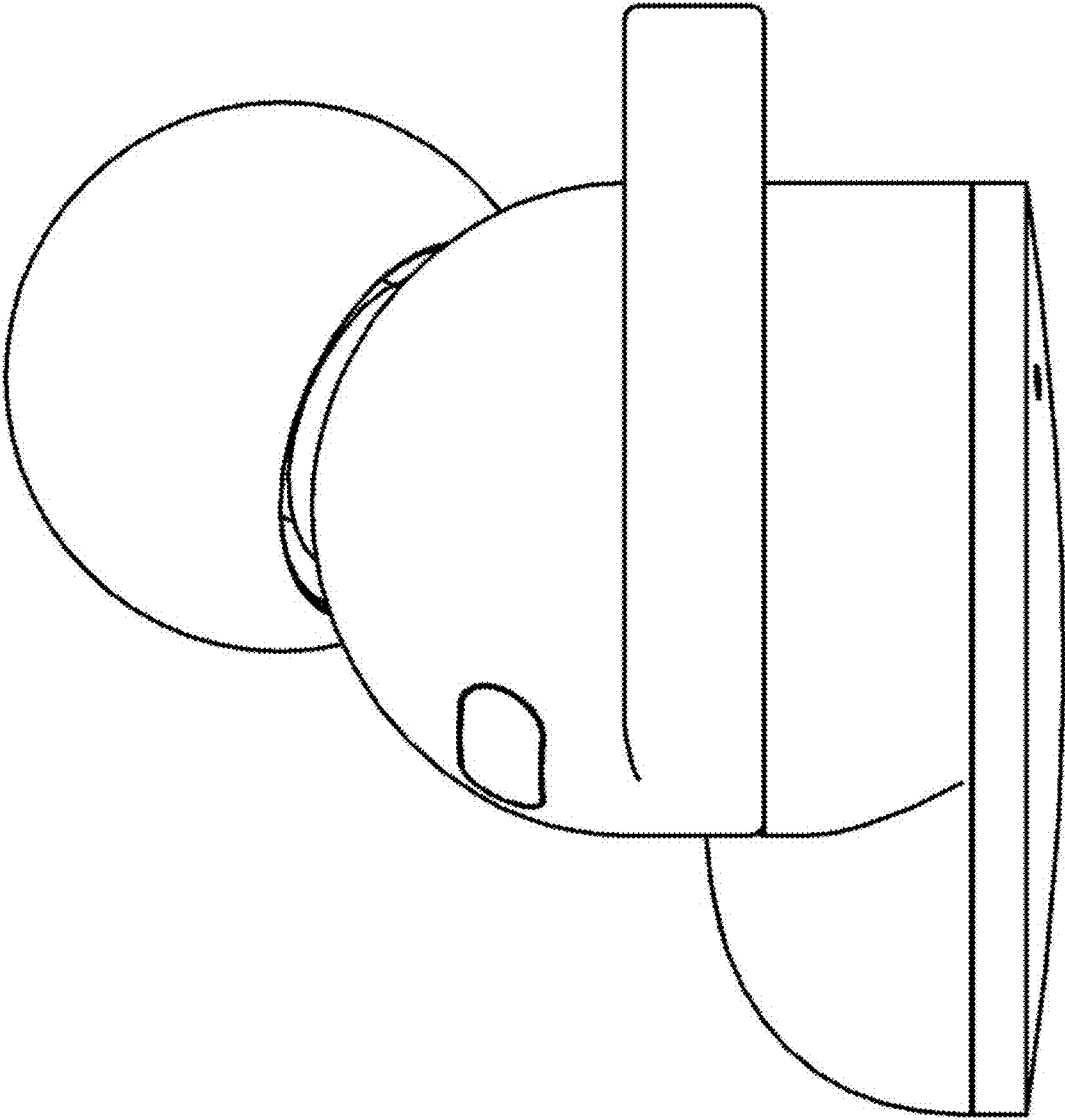
1.2



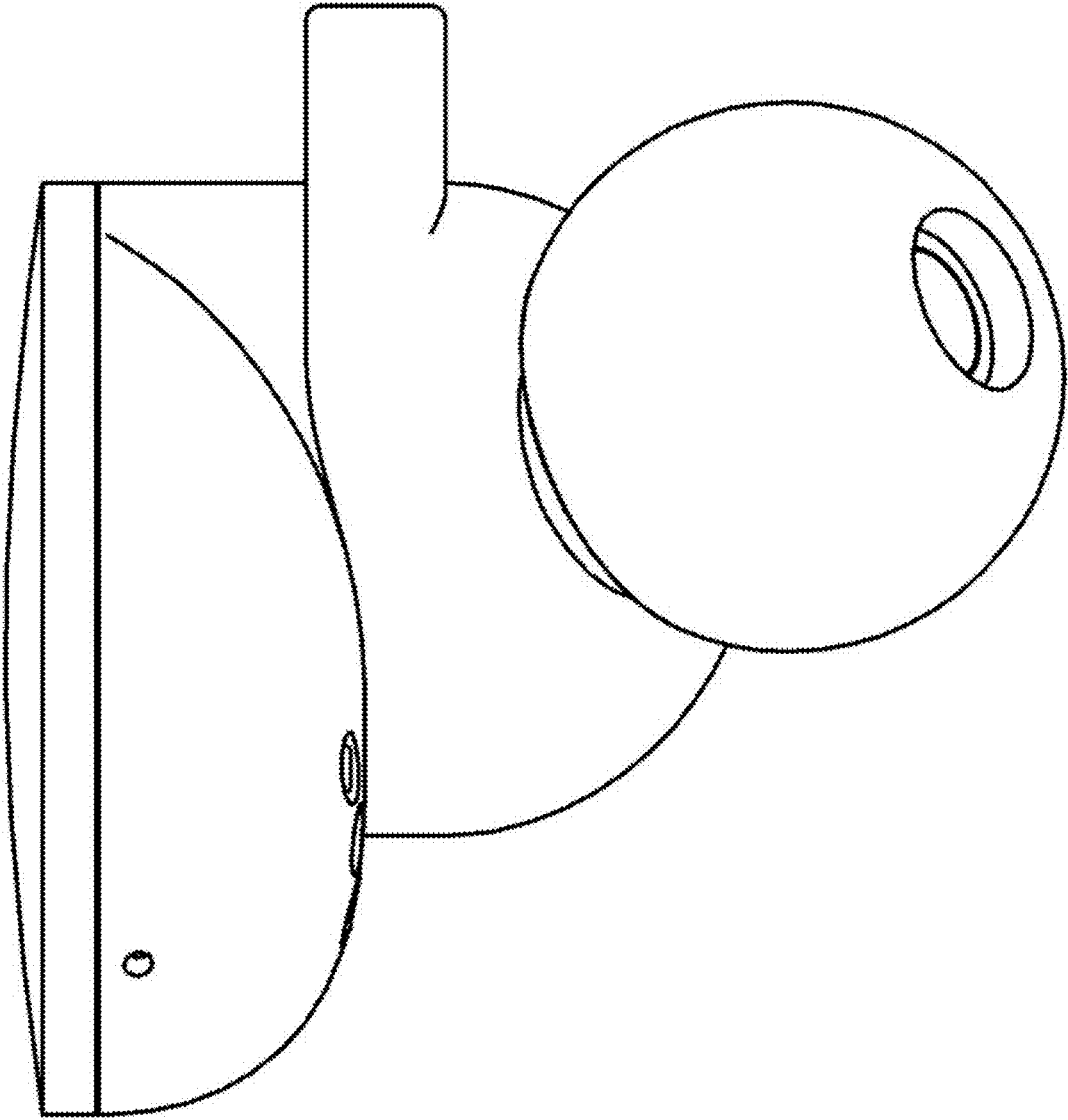
1.3



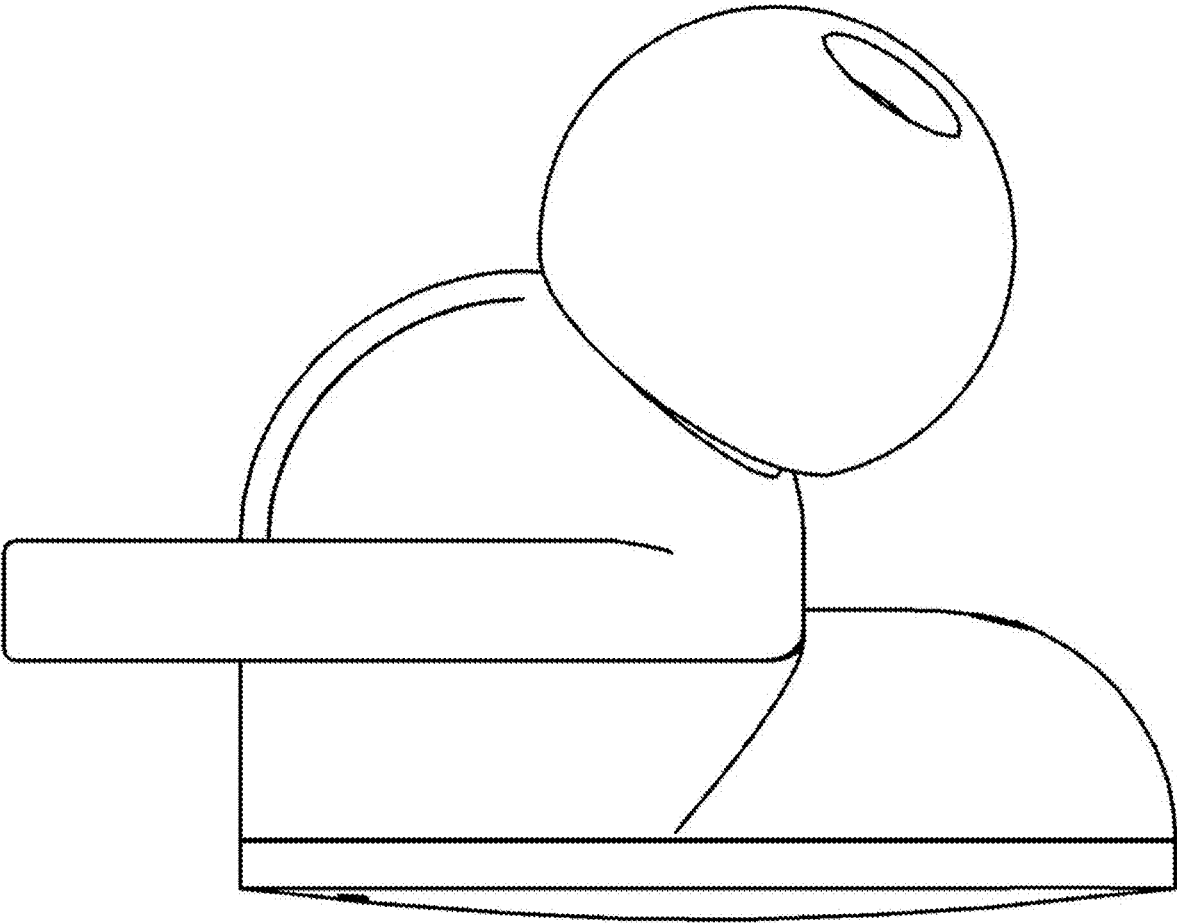
1.4



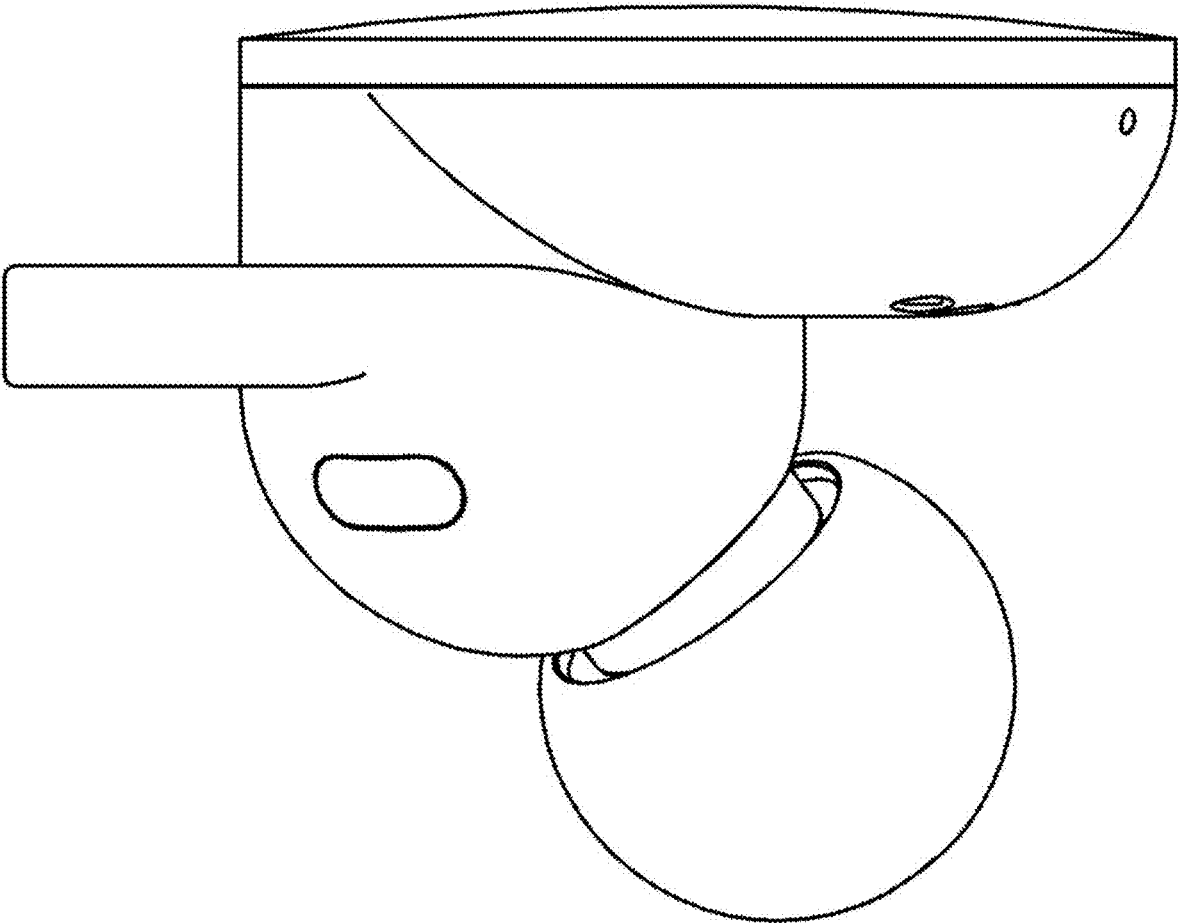
1.5



1.6



1.7



1.8

