



US00D615233S

(12) **United States Design Patent**  
**Josefowicz et al.**

(10) **Patent No.:** **US D615,233 S**  
(45) **Date of Patent:** **\*\* May 4, 2010**

(54) **LIGHT FIXTURE**

(75) Inventors: **Jack Yitzhak Josefowicz**, Halibut Bay (CA); **Matthew Francis Durdle**, Dartmouth (CA)

(73) Assignee: **LED Roadway Lighting Ltd.** (CA)

(\*\*) Term: **14 Years**

(21) Appl. No.: **29/333,524**

(22) Filed: **Mar. 11, 2009**

(30) **Foreign Application Priority Data**

Sep. 12, 2008 (CA) ..... 127755  
Mar. 9, 2009 (CA) ..... 129894

(51) **LOC (9) Cl.** ..... **26-05**

(52) **U.S. Cl.** ..... **D26/71**

(58) **Field of Classification Search** ..... 362/152-153.1, 362/183, 235, 249.02, 249.03, 249.14, 294, 362/373, 432; D26/63, 67-72, 84, 85, 92  
See application file for complete search history.

(56) **References Cited**

**U.S. PATENT DOCUMENTS**

D492,441	S *	6/2004	Bradford et al.	.....	D26/92
D500,569	S *	1/2005	Butler	.....	D26/71
D556,935	S *	12/2007	Quioque et al.	.....	D26/71
7,329,030	B1 *	2/2008	Wang	.....	362/373
D577,455	S *	9/2008	Zheng et al.	.....	D26/71
7,488,093	B1 *	2/2009	Huang et al.	.....	362/294
D601,292	S *	9/2009	Yan et al.	.....	D26/71
2008/0080188	A1 *	4/2008	Wang	.....	362/294
2009/0262533	A1 *	10/2009	Liu et al.	.....	362/249.02
2009/0262542	A1 *	10/2009	Li et al.	.....	362/373
2009/0262543	A1 *	10/2009	Ho	.....	362/373

\* cited by examiner

*Primary Examiner*—Clare E Heflin

(74) *Attorney, Agent, or Firm*—Stevens & Showalter LLP

(57) **CLAIM**

The ornamental design for a light fixture, as shown and described.

**DESCRIPTION**

FIG. 1 is a left top perspective view of first and second embodiments of the light fixture;

FIG. 2 is a top perspective view of first and second embodiments thereof;

FIG. 3 is a left side perspective view of the first and second embodiments thereof;

FIG. 4 is right side perspective view of the first and second embodiments thereof;

FIG. 5 is a bottom perspective view of the first embodiment thereof;

FIG. 6 is a right bottom perspective view of the first embodiment thereof;

FIG. 7 is a front perspective view of the first and second embodiments thereof;

FIG. 8 is a back perspective view of the first and second embodiments thereof;

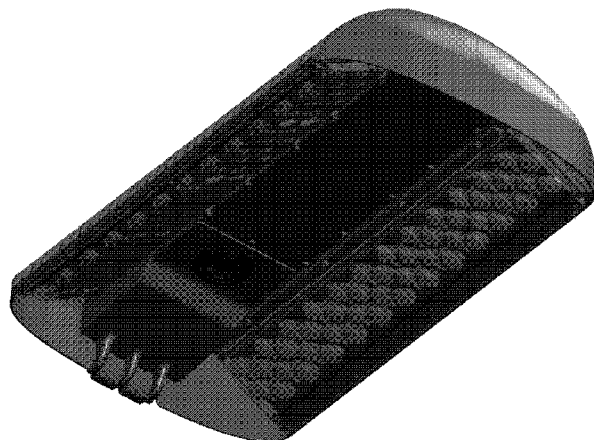
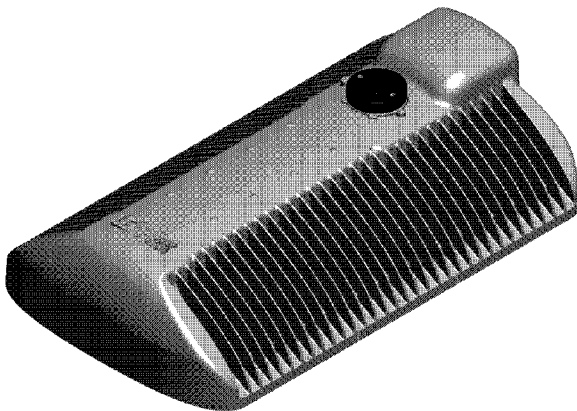
FIG. 9 is a right side perspective view of the first and second embodiments thereof;

FIG. 10 is a bottom perspective view of the second embodiment thereof; and,

FIG. 11 is a right bottom perspective view of the second embodiment thereof.

The support shown in broken lines in FIG. 9 represents environment only and forms no part of the claimed design.

**1 Claim, 11 Drawing Sheets**



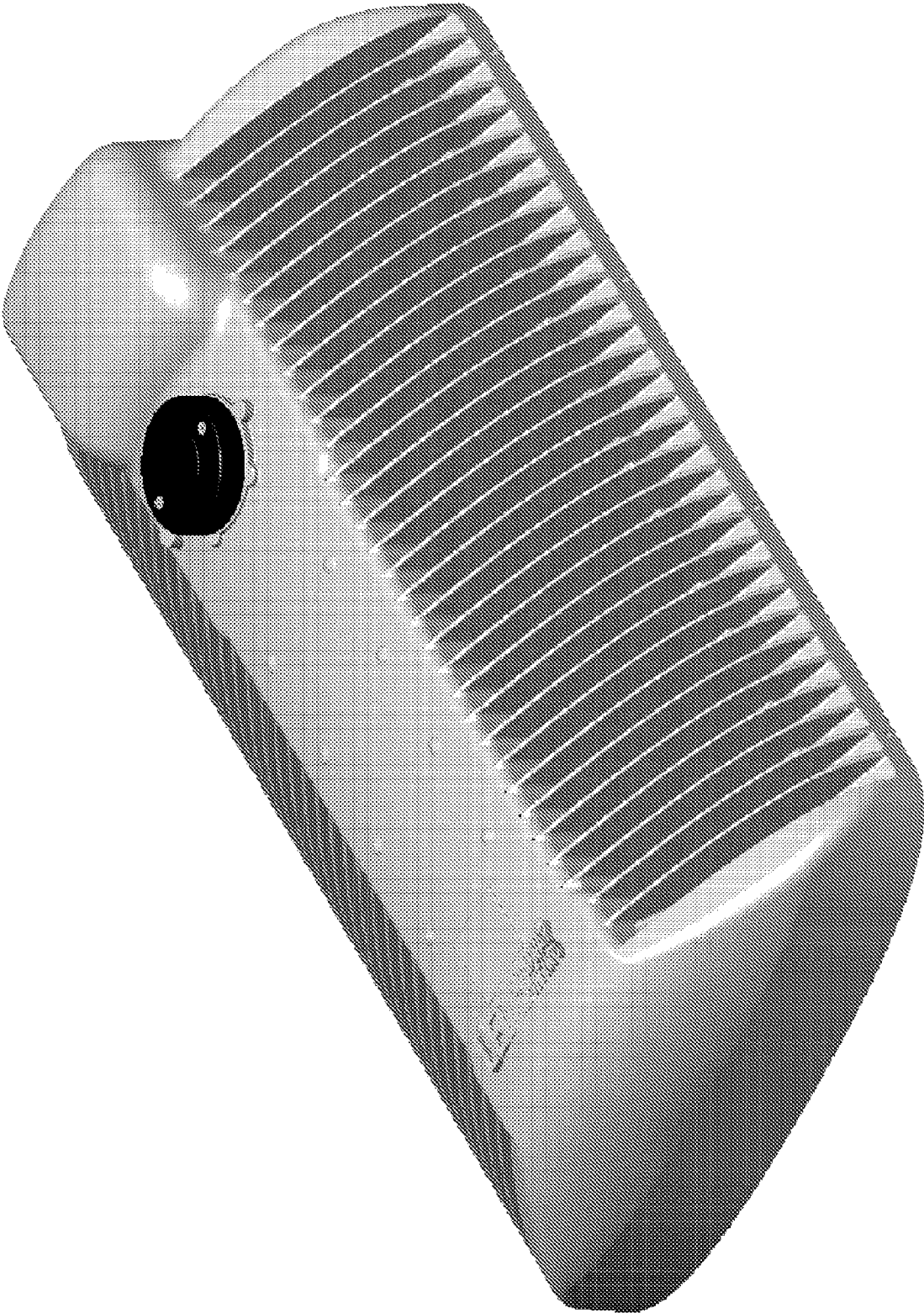


Figure 1

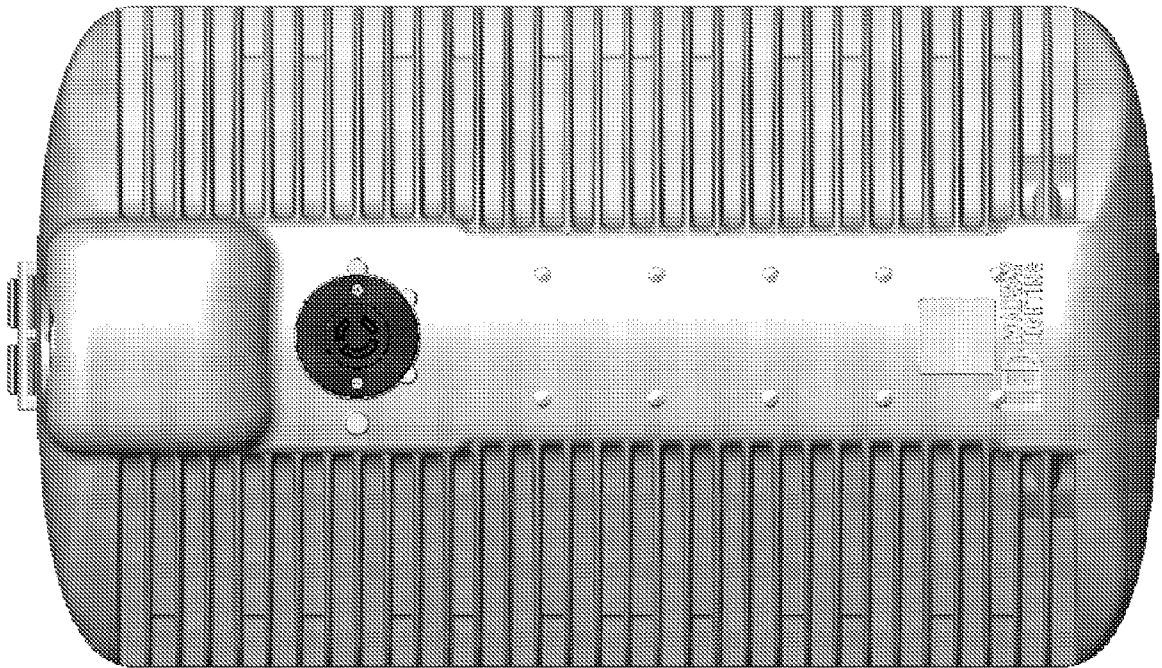


Figure 2

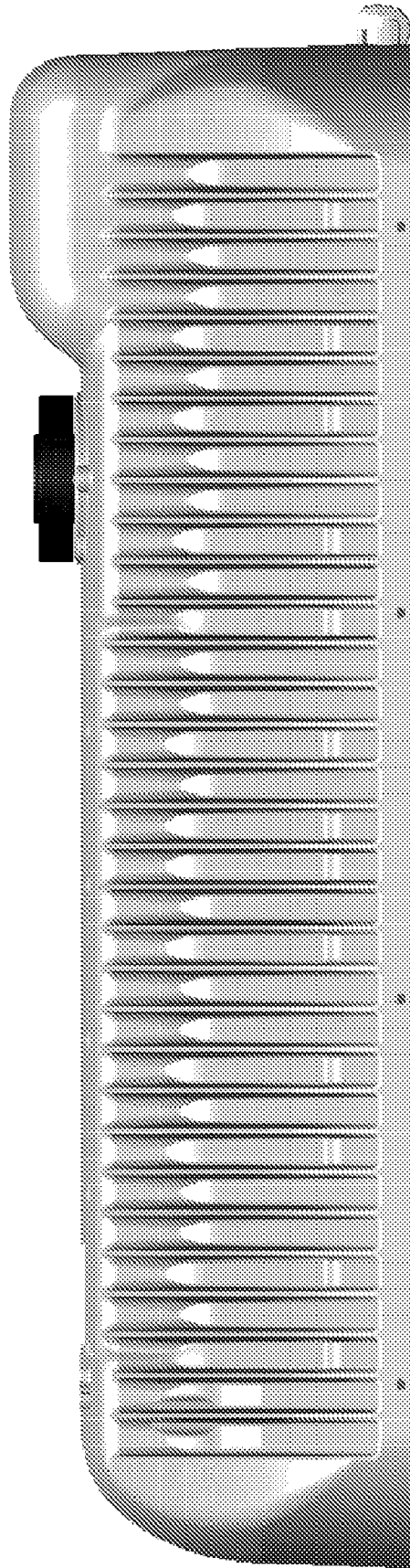


Figure 3

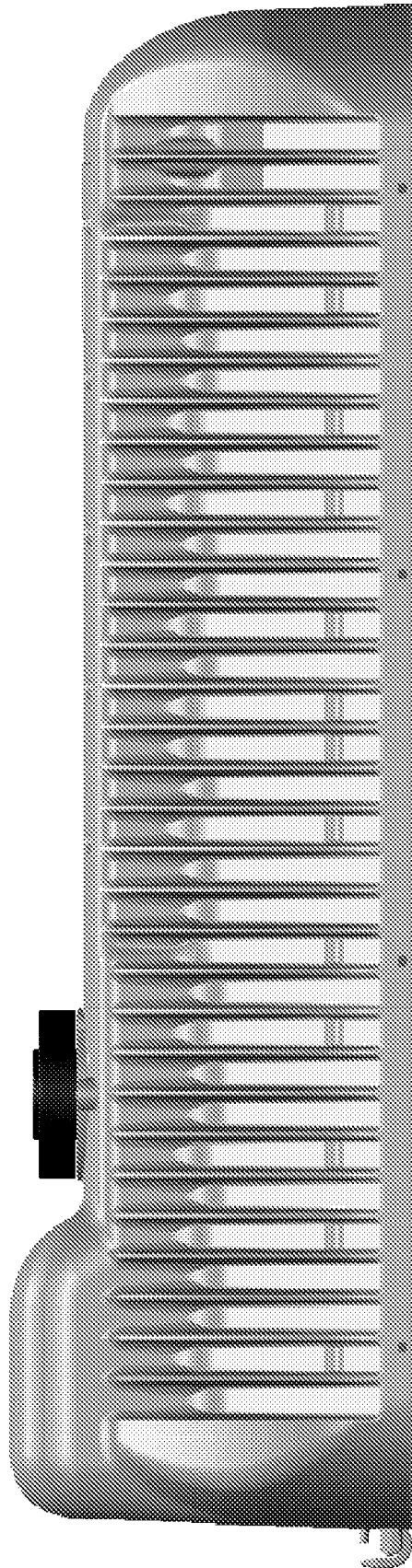


Figure 4

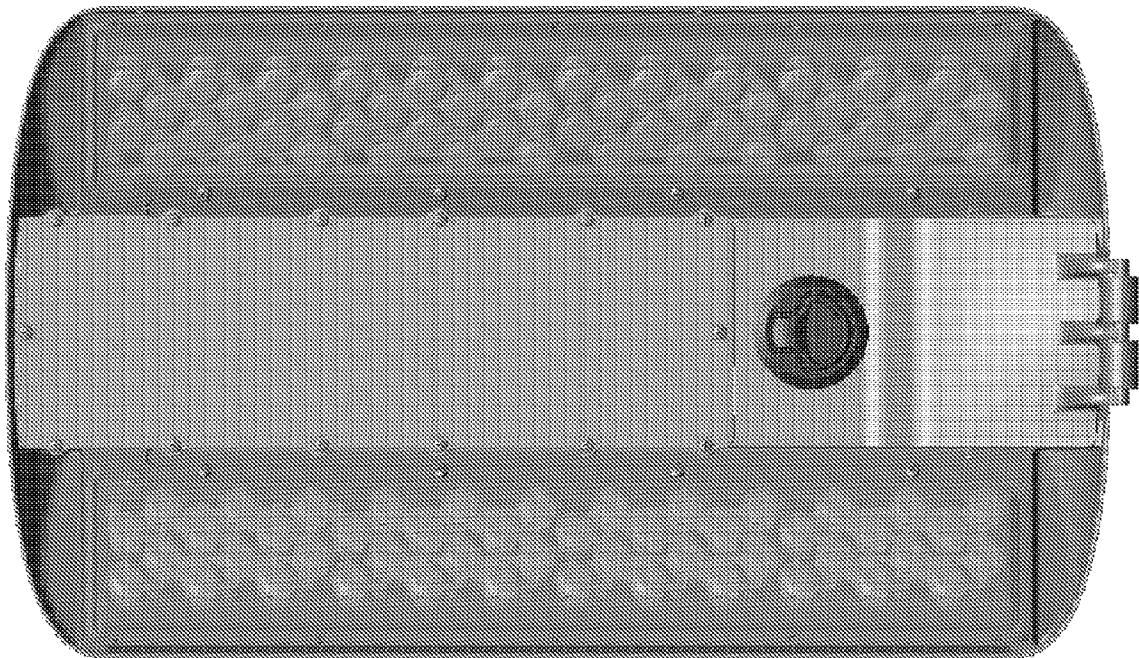


Figure 5

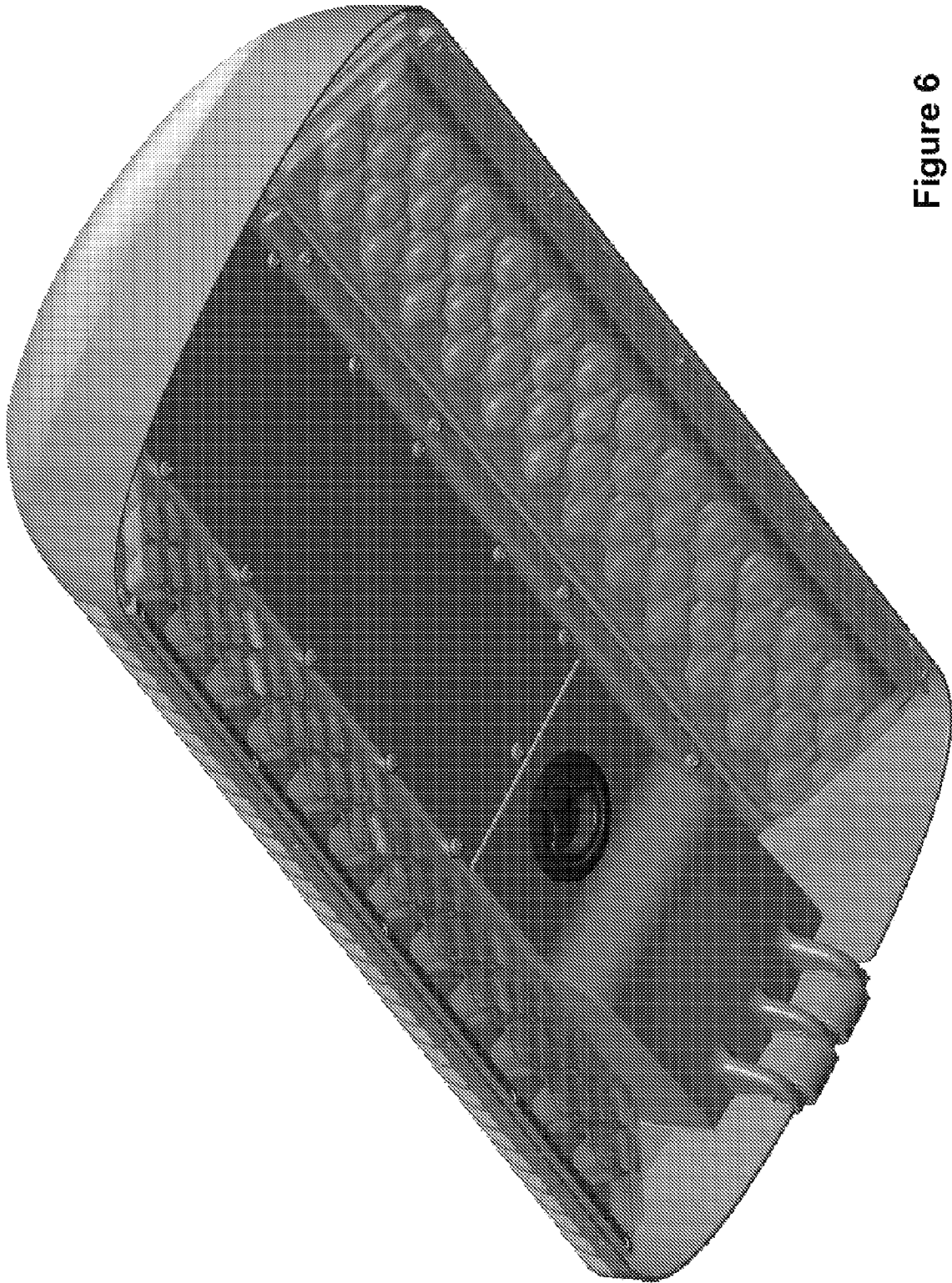


Figure 6



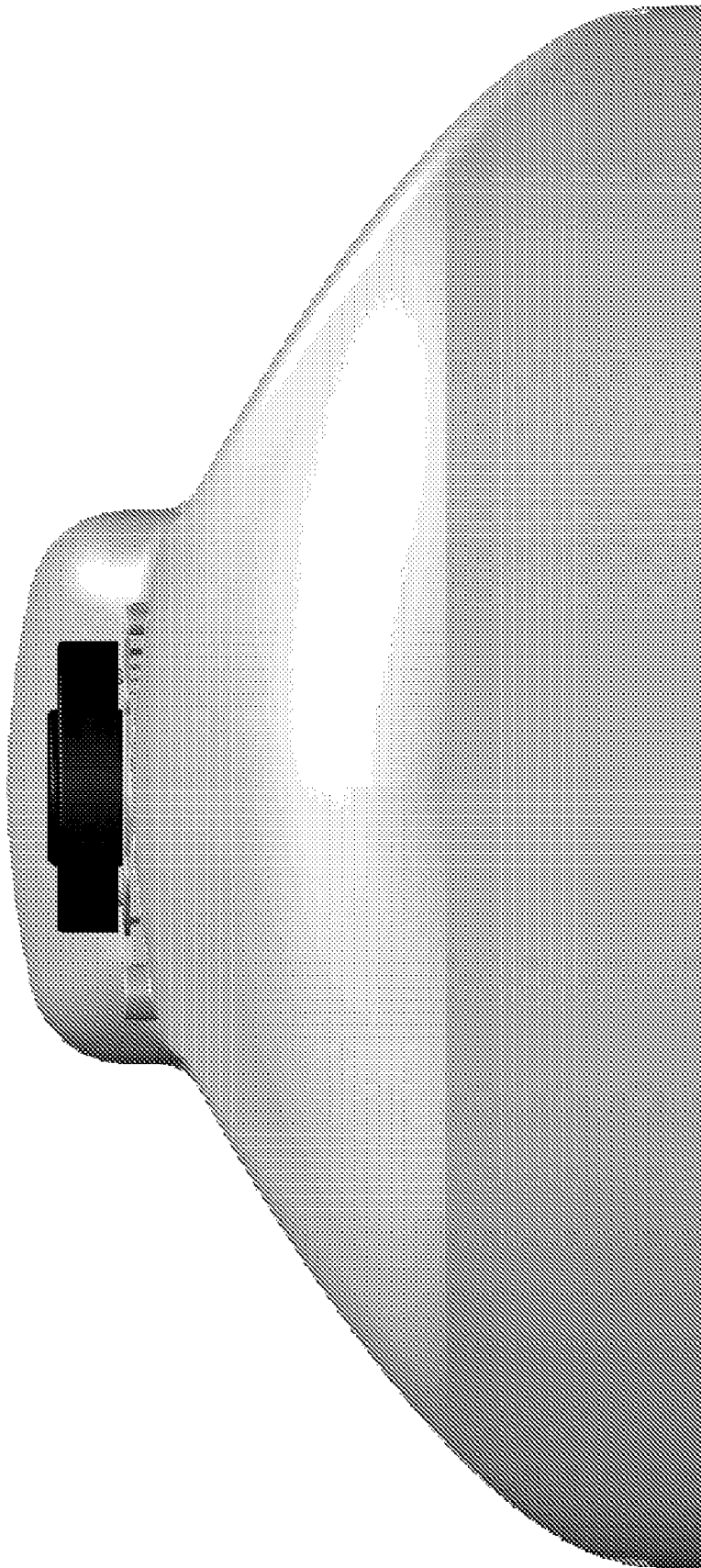


Figure 7



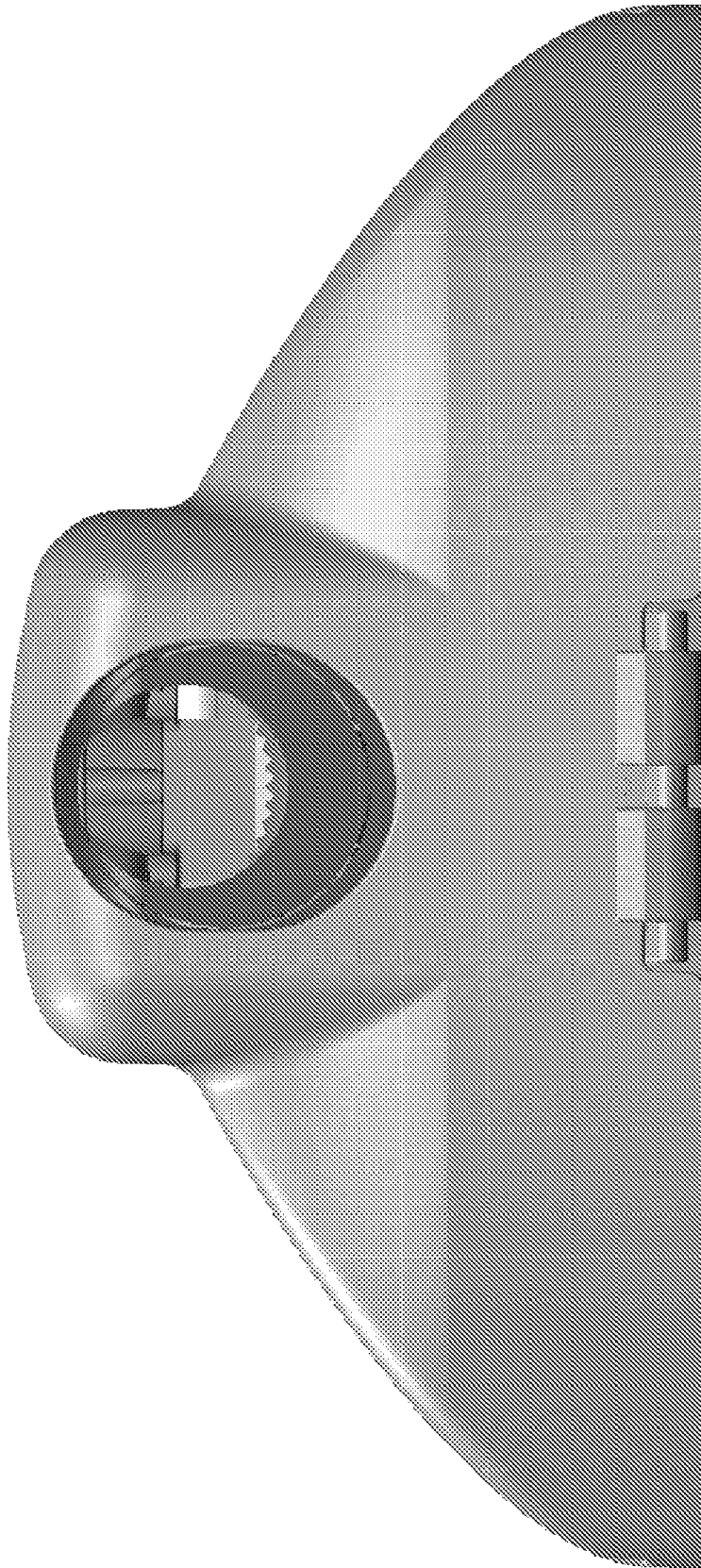


Figure 8

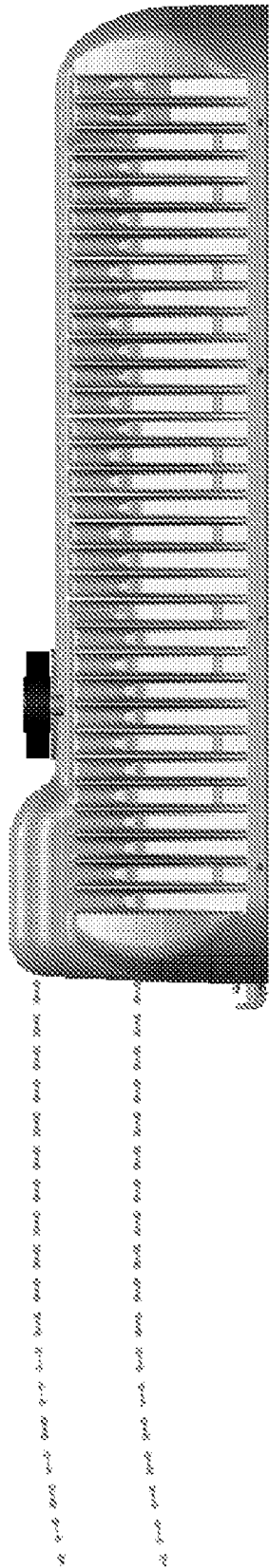


Figure 9

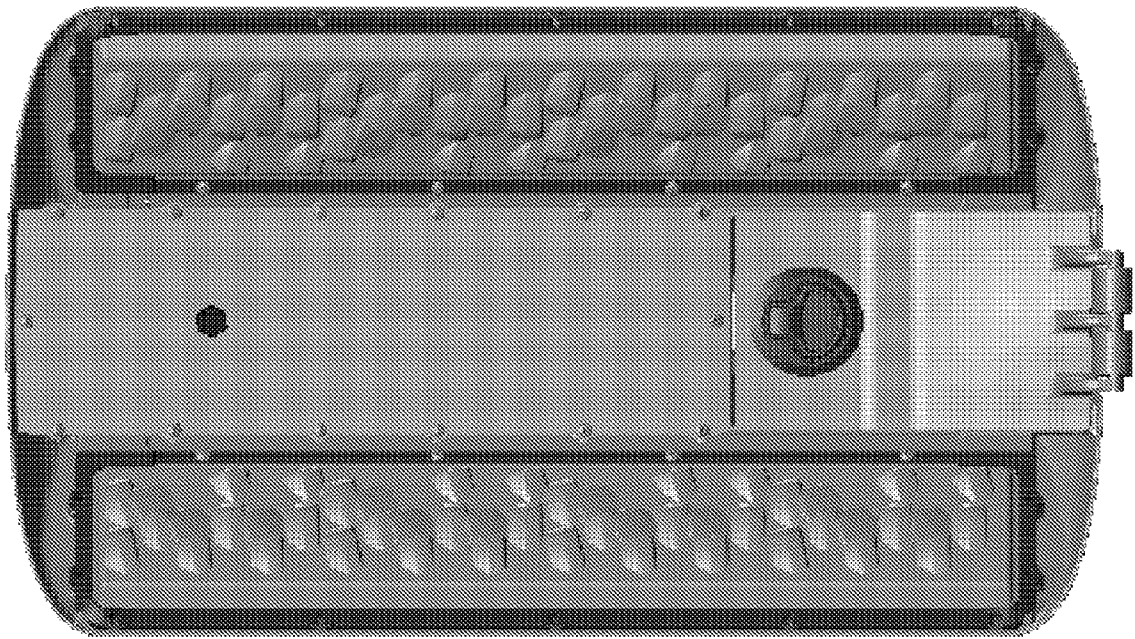


Figure 10

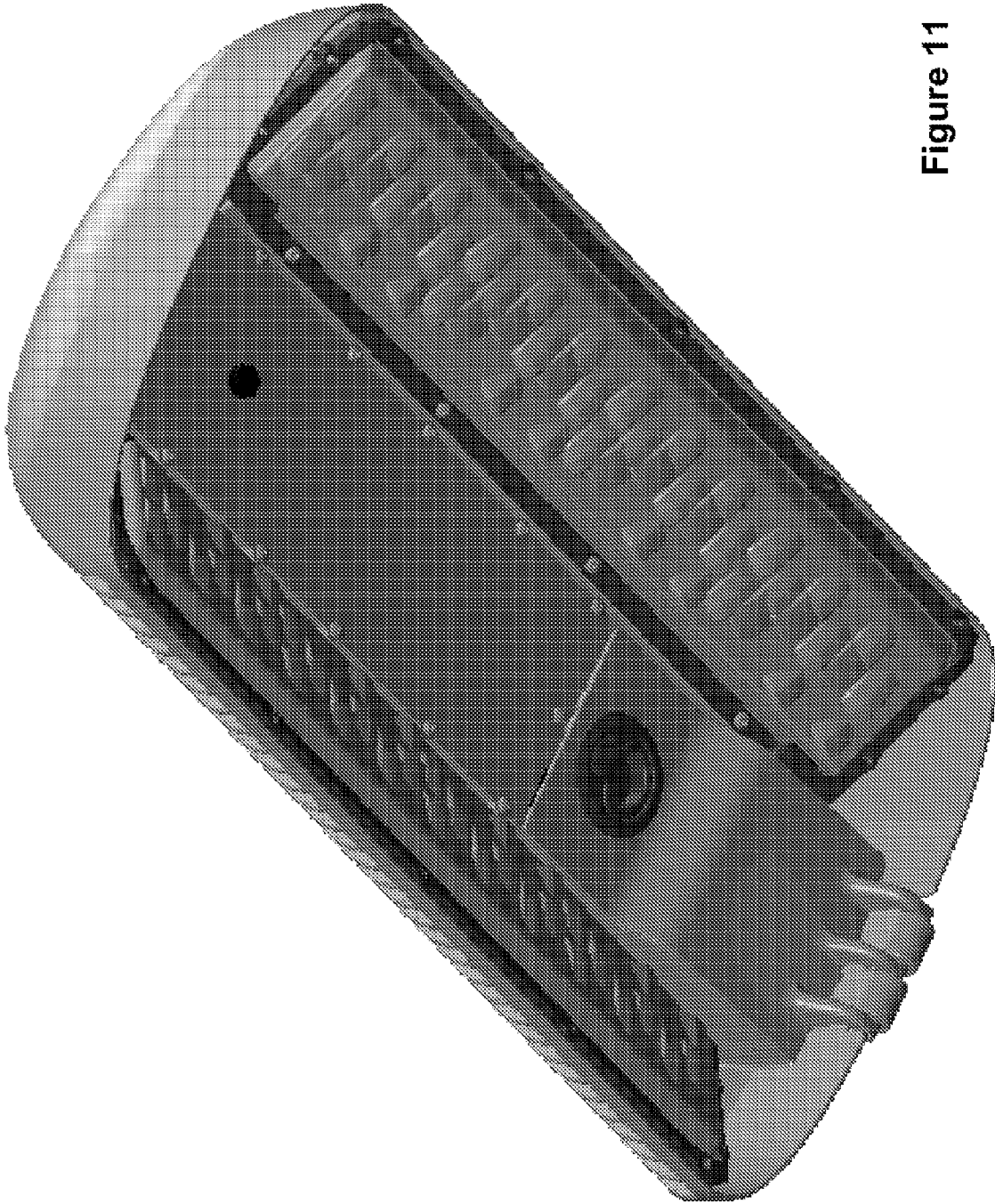


Figure 11