



US00D706623S

(12) **United States Design Patent**
Murphy et al.

(10) **Patent No.:** **US D706,623 S**

(45) **Date of Patent:** **** *Jun. 10, 2014**

(54) **FOOD CONTAINER**

(71) Applicant: **Direct Pack, Inc.**, Sun Valley, CA (US)

(72) Inventors: **Laura A. Murphy**, Laguna Beach, CA (US); **Gandhi B. Sifuentes**, West Covina, CA (US)

(73) Assignee: **Direct Pack, Inc.**, Sun Valley, CA (US)

(*) Notice: This patent is subject to a terminal disclaimer.

(**) Term: **14 Years**

(21) Appl. No.: **29/449,489**

(22) Filed: **Mar. 15, 2013**

(51) **LOC (10) Cl.** **09-03**

(52) **U.S. Cl.**
USPC **D9/426**

(58) **Field of Classification Search**
USPC D9/424-432, 730; 206/503, 521.1, 541, 206/564, 23.83, 315, 324, 326, 367, 556, 206/835; D3/203.2, 294; D7/601, 602, 629, D7/538-542; 220/780-806, 574-575, 4.24
See application file for complete search history.

(56) **References Cited**

U.S. PATENT DOCUMENTS

D254,776	S	*	4/1980	Edwards	D9/426
4,976,370	A	*	12/1990	Cassel	220/792
D407,014	S	*	3/1999	McCann	D9/423
5,947,321	A	*	9/1999	Vadney	220/367.1

D475,620	S		6/2003	Chen et al.		
D527,956	S	*	9/2006	Doliwa	D7/629
D554,498	S	*	11/2007	Lovett	D9/425
D573,411	S	*	7/2008	Lovett	D7/554.3
D609,531	S	*	2/2010	Koennecke	D7/584
D628,474	S	*	12/2010	Snedden et al.	D9/426
D628,475	S	*	12/2010	Snedden et al.	D9/426
D646,969	S		10/2011	Snedden et al.		
D665,674	S	*	8/2012	Wu	D9/730
D678,763	S	*	3/2013	Tyberghein	D9/426
D684,466	S	*	6/2013	Wichmann	D9/432

* cited by examiner

Primary Examiner — Thomas Johannes

(74) *Attorney, Agent, or Firm* — Frost Brown Todd LLC

(57) **CLAIM**

The ornamental design for a food container, as shown and described.

DESCRIPTION

FIG. 1 is a top perspective exploded view of a food container revealing the top side of the lid and the inside of the shallow bowl, showing our new design;

FIG. 2 is a bottom perspective view thereof revealing the bottom side of the lid and the bottom side of the shallow bowl;

FIG. 3 is a left elevational view thereof;

FIG. 4 is a right elevational view thereof;

FIG. 5 is a front elevational view thereof;

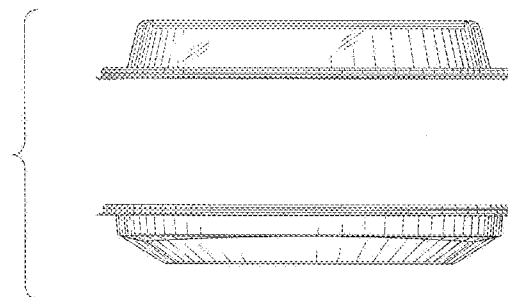
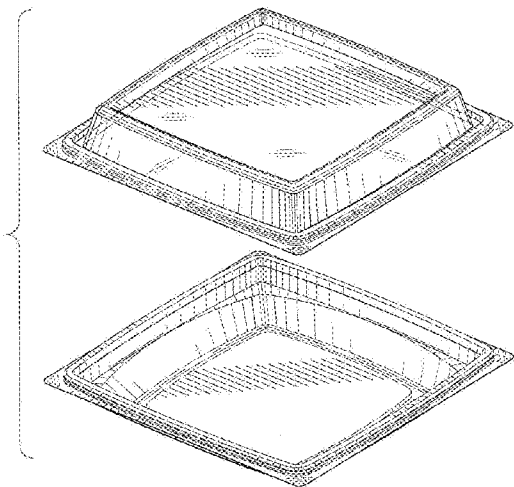
FIG. 6 is a back elevational view thereof;

FIG. 7 is a top plan view thereof; and,

FIG. 8 is a bottom plan view thereof.

The container portions shown in broken lines are unclaimed environment and do not form a part of the claimed design.

1 Claim, 8 Drawing Sheets



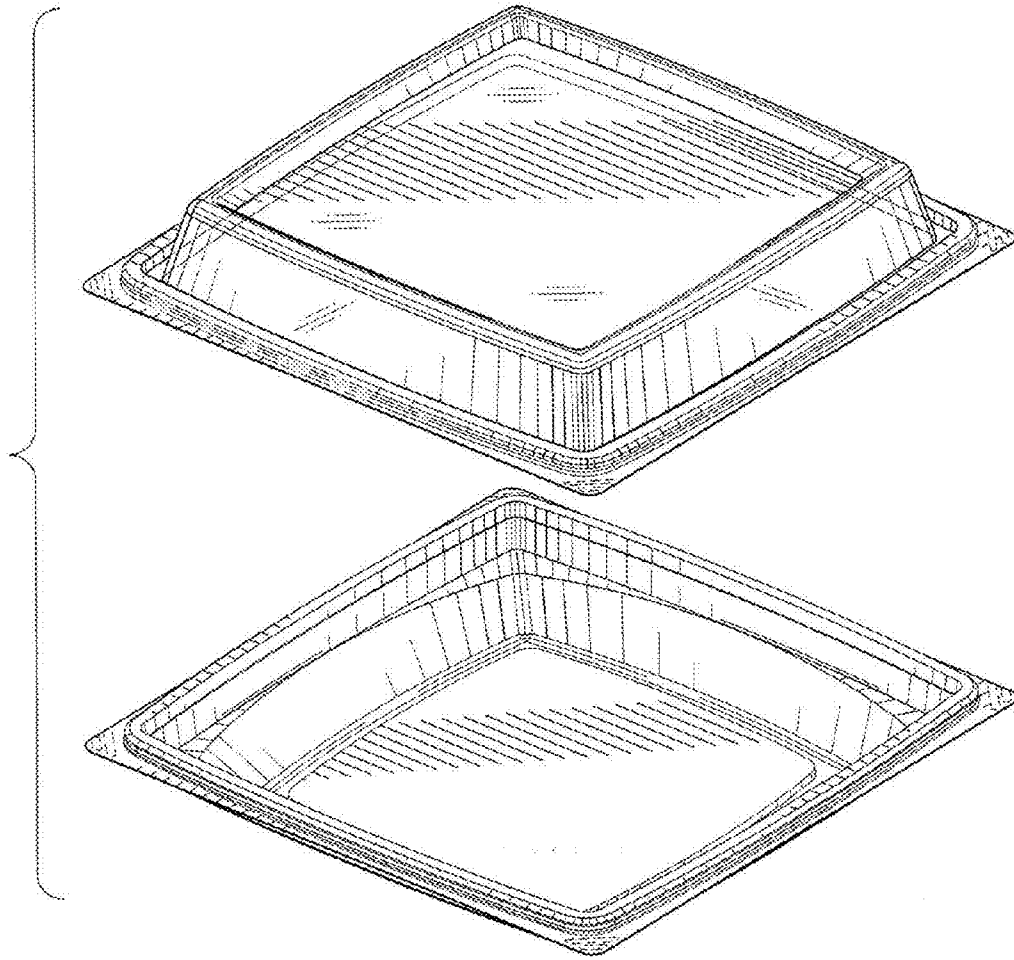


Fig. 1

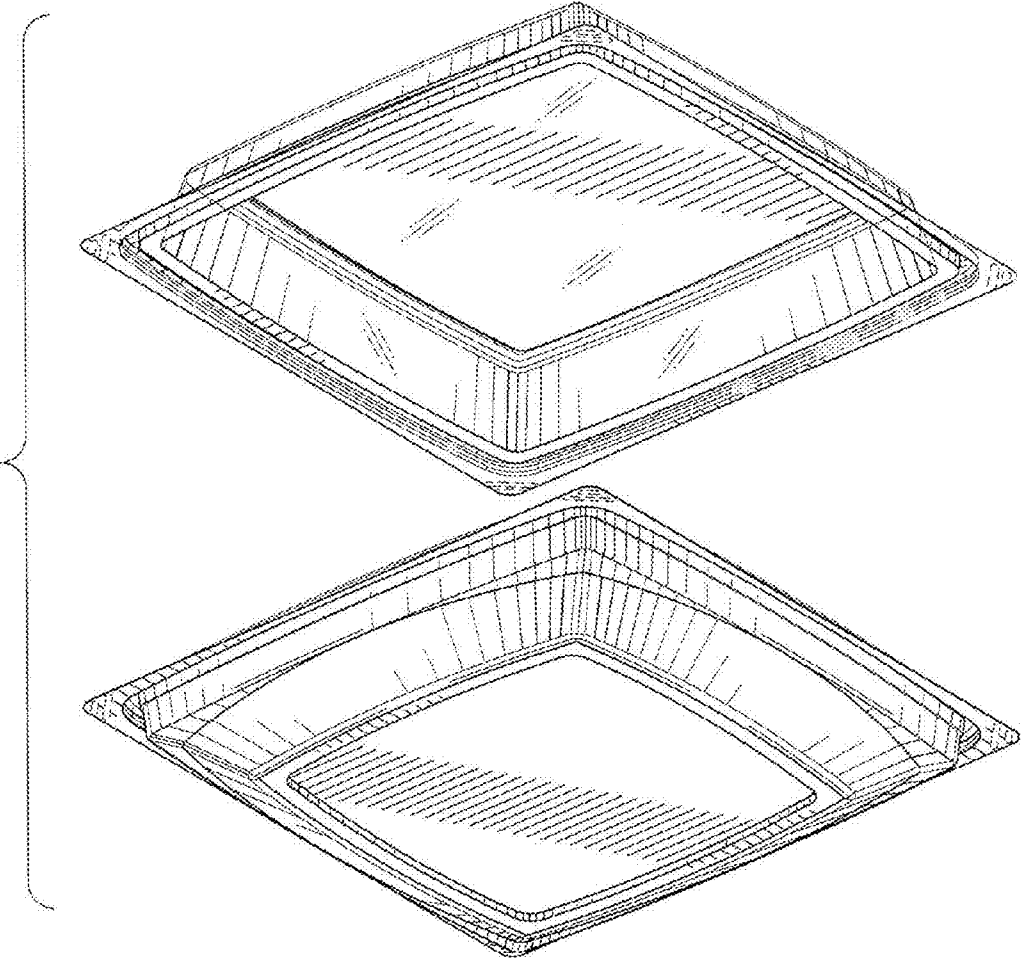


Fig.2

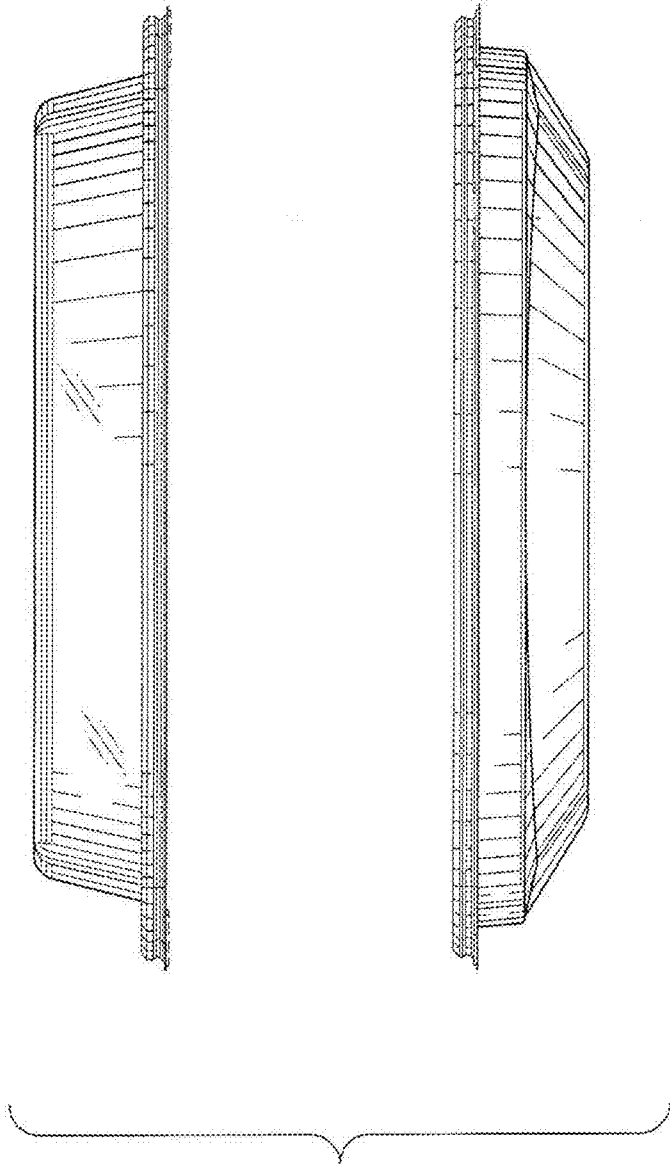


Fig. 3

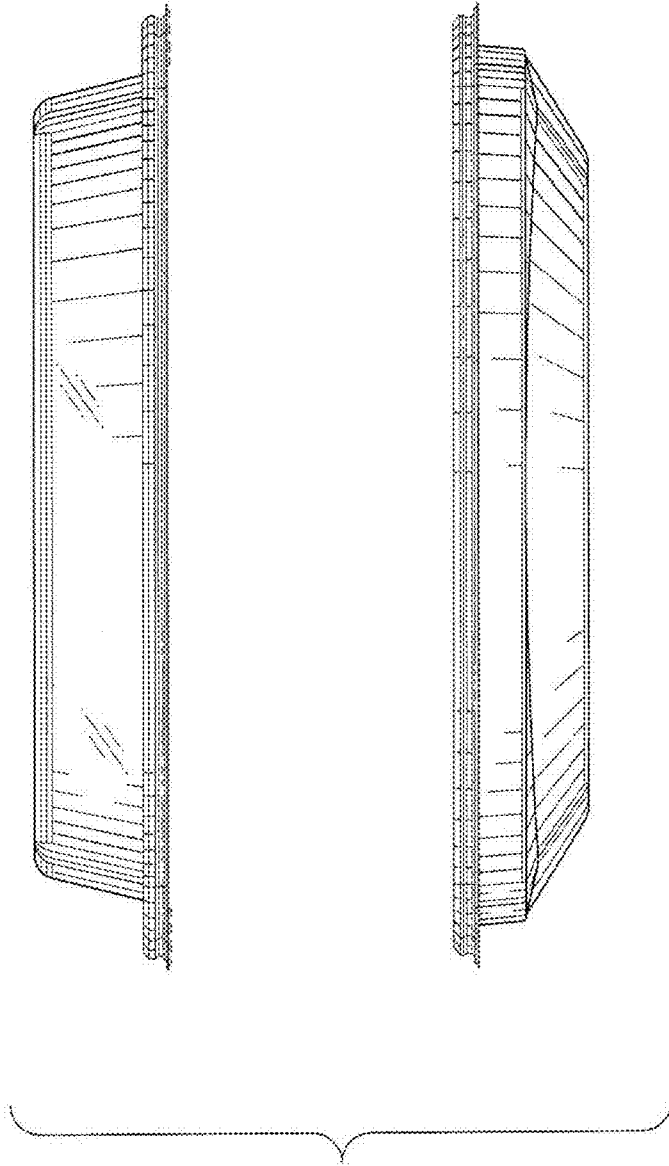


Fig. 4

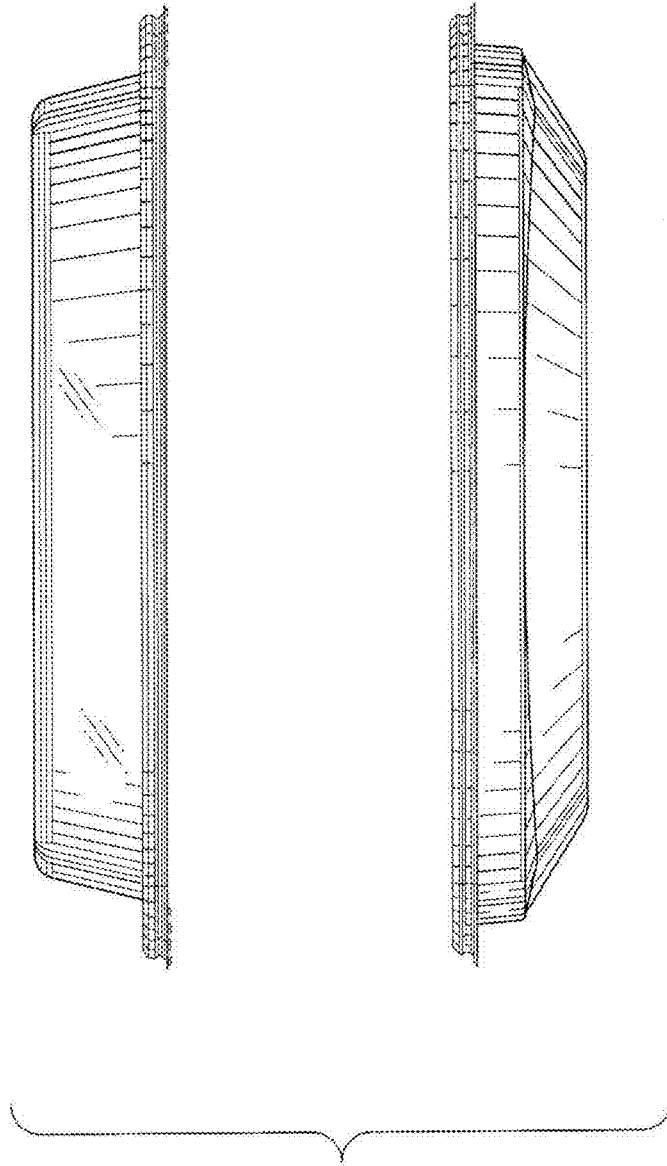


Fig. 5

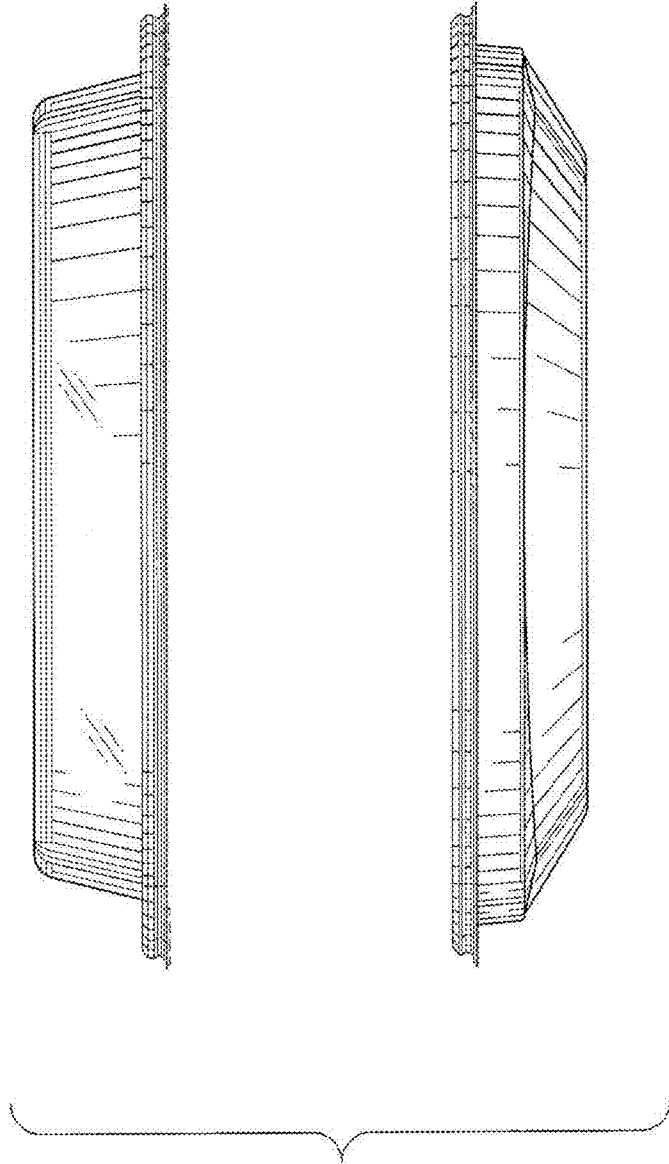


Fig. 6

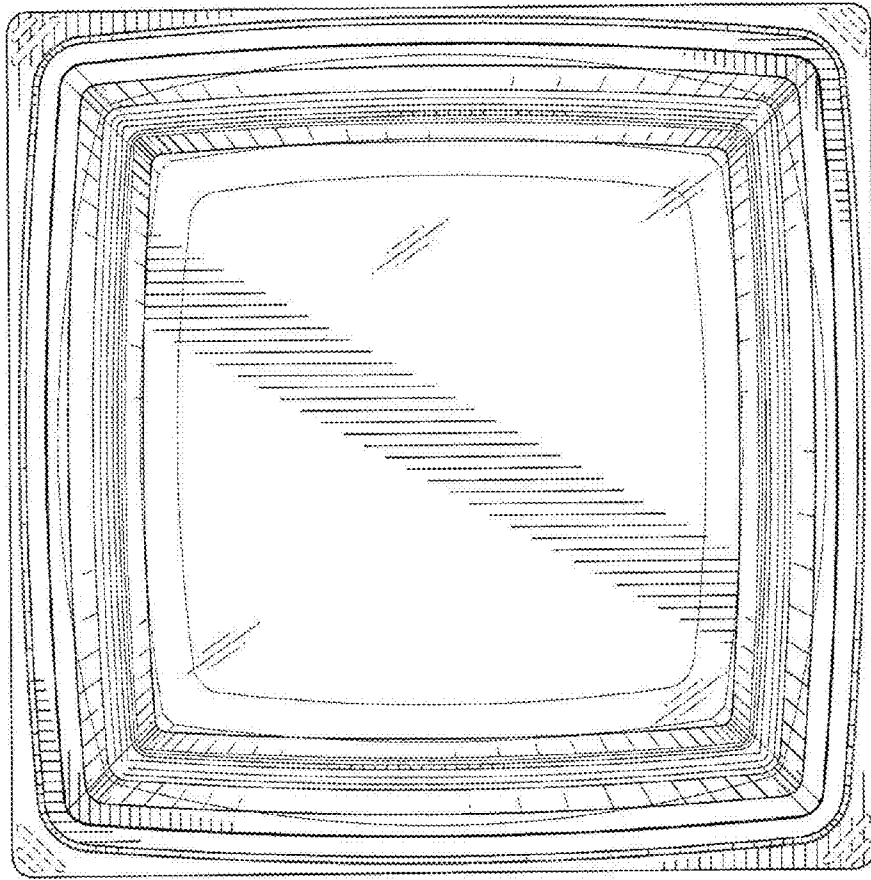


Fig.7

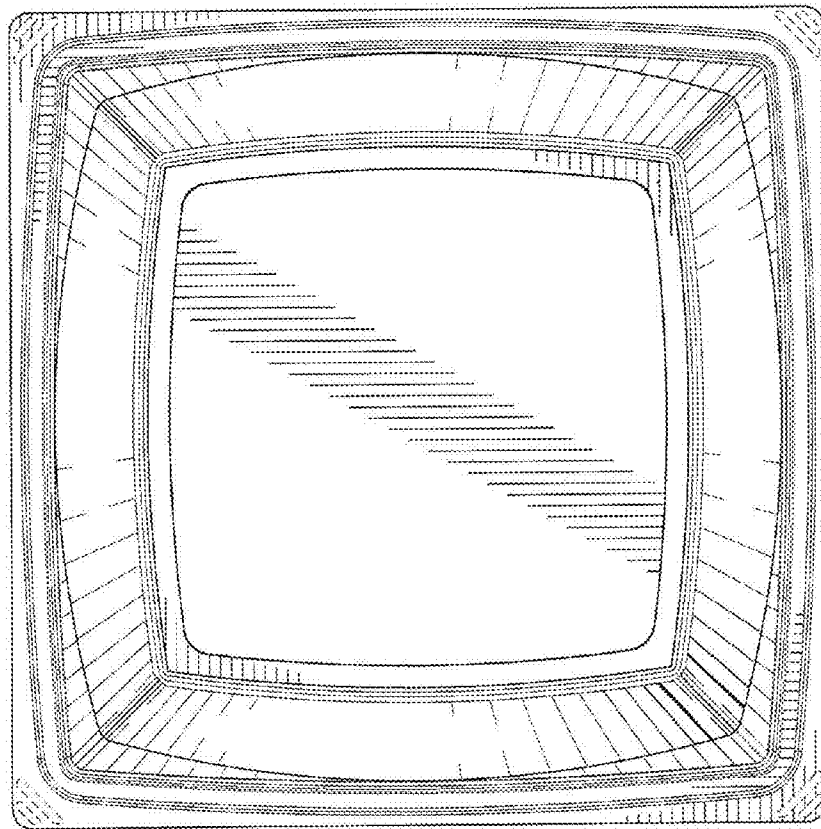


Fig.8