



US00D613551S

(12) **United States Design Patent**
Pantaleo

(10) **Patent No.:** **US D613,551 S**

(45) **Date of Patent:** **** Apr. 13, 2010**

(54) **COOKWARE HANDLE**

(75) Inventor: **Sarah Pantaleo**, Sandy Springs, GA
(US)

(73) Assignee: **Calphalon Corporation**, Atlanta, GA
(US)

(**) Term: **14 Years**

(21) Appl. No.: **29/340,628**

(22) Filed: **Jul. 22, 2009**

(51) **LOC (9) Cl.** **07-02**

(52) **U.S. Cl.** **D7/395**

(58) **Field of Classification Search** D7/354-361,
D7/393-395; D8/107, 300, 303, 307; D4/138,
D4/129; 16/421, 430, 431, 110.1, 407; 220/573.1-573.5,
220/752, 753, 755, 756, 759, 771, 912

See application file for complete search history.

(56) **References Cited**

U.S. PATENT DOCUMENTS

- D407,600 S * 4/1999 LoGiudice D7/395
- D497,767 S * 11/2004 Cacace D7/361
- D497,771 S * 11/2004 Thomkins D7/395
- D518,352 S * 4/2006 Brasset D8/300
- D550,027 S * 9/2007 Hadj-Chikh et al. D7/361
- D580,703 S * 11/2008 Devries D7/395

- D592,452 S * 5/2009 Tetreault D7/395
- D599,165 S * 9/2009 Rae D7/395

* cited by examiner

Primary Examiner—Philip S Hyder

Assistant Examiner—Cynthia M Chin

(74) *Attorney, Agent, or Firm*—Gardner Groff Greenwald &
Villanueva PC

(57) **CLAIM**

The ornamental design for a cookware handle, as shown and described.

DESCRIPTION

FIG. 1 is a top perspective view of a cookware handle according to the present invention.

FIG. 2 is a top view of the cookware handle of FIG. 1.

FIG. 3 is a bottom view of the cookware handle of FIG. 1.

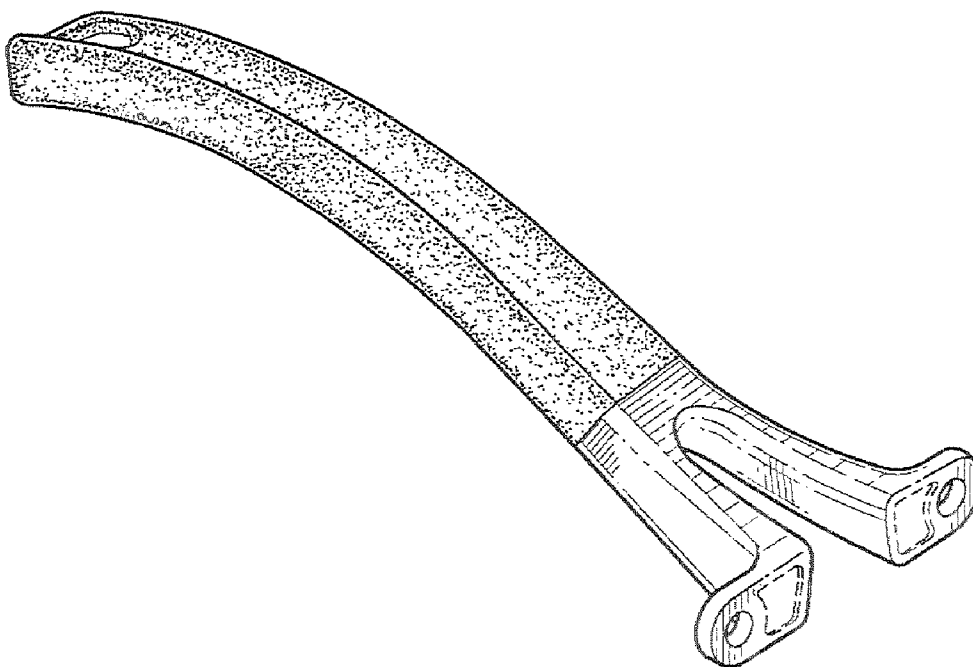
FIG. 4 is a right side view of the cookware handle of FIG. 1, the left side view being a mirror image thereof.

FIG. 5 is a front end (mounting end) view of the cookware handle of FIG. 1; and,

FIG. 6 is a rear end (gripping end) view of cookware handle of FIG. 1.

The broken lines immediately adjacent the shaded areas represent the bounds of the claim and all other broken lines represent unclaimed portions of the design. None of the broken lines form a part of the claimed design.

1 Claim, 6 Drawing Sheets



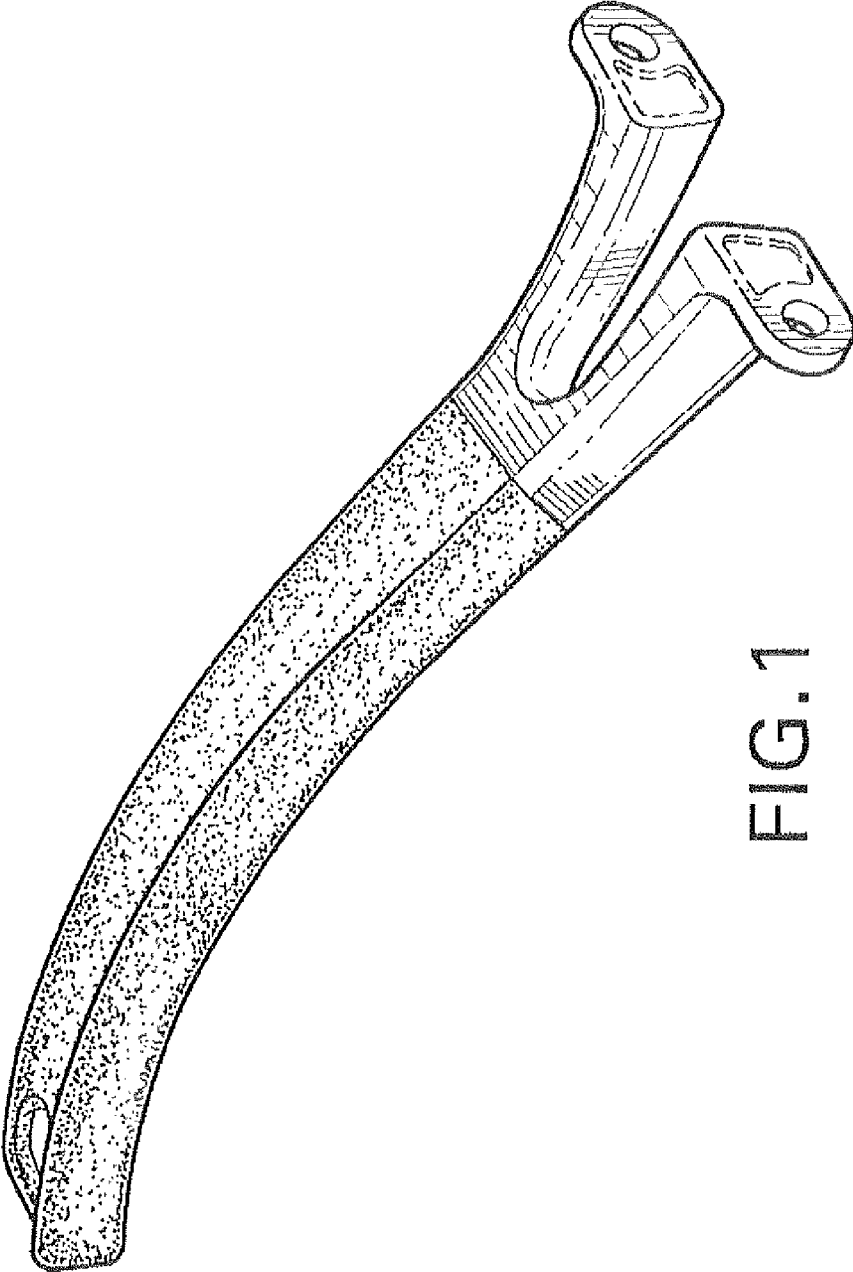


FIG.1

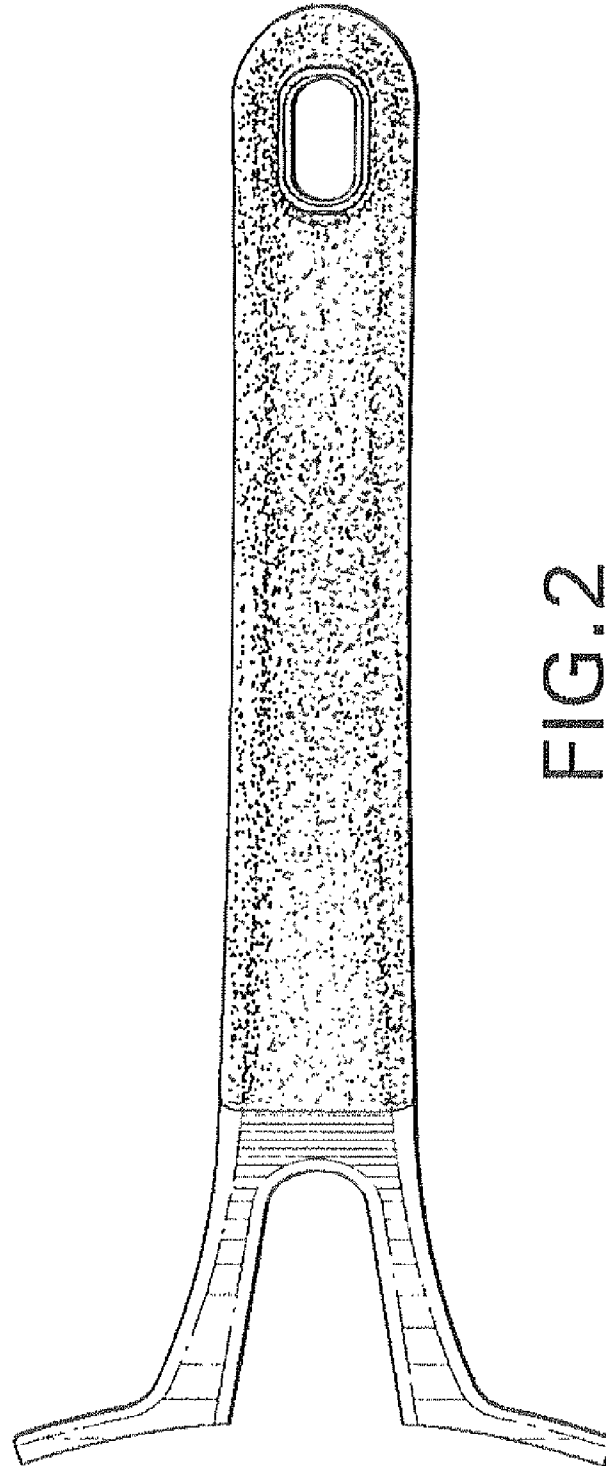


FIG. 2

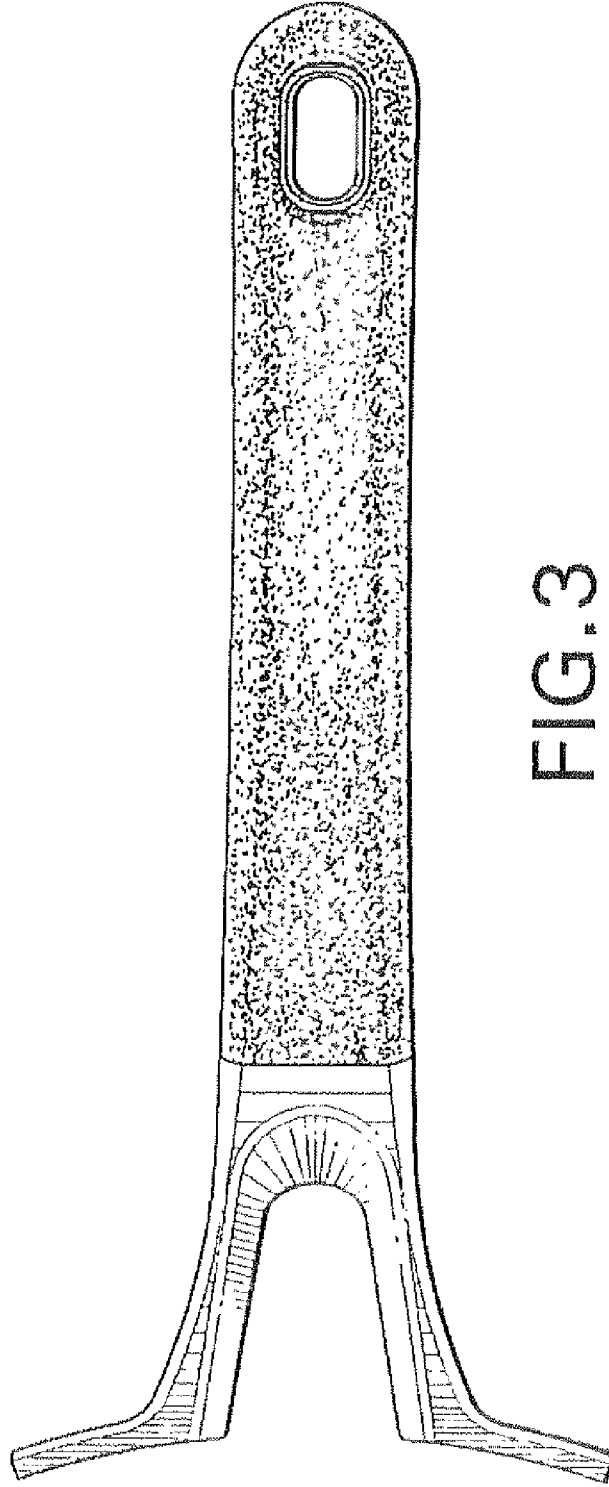


FIG. 3

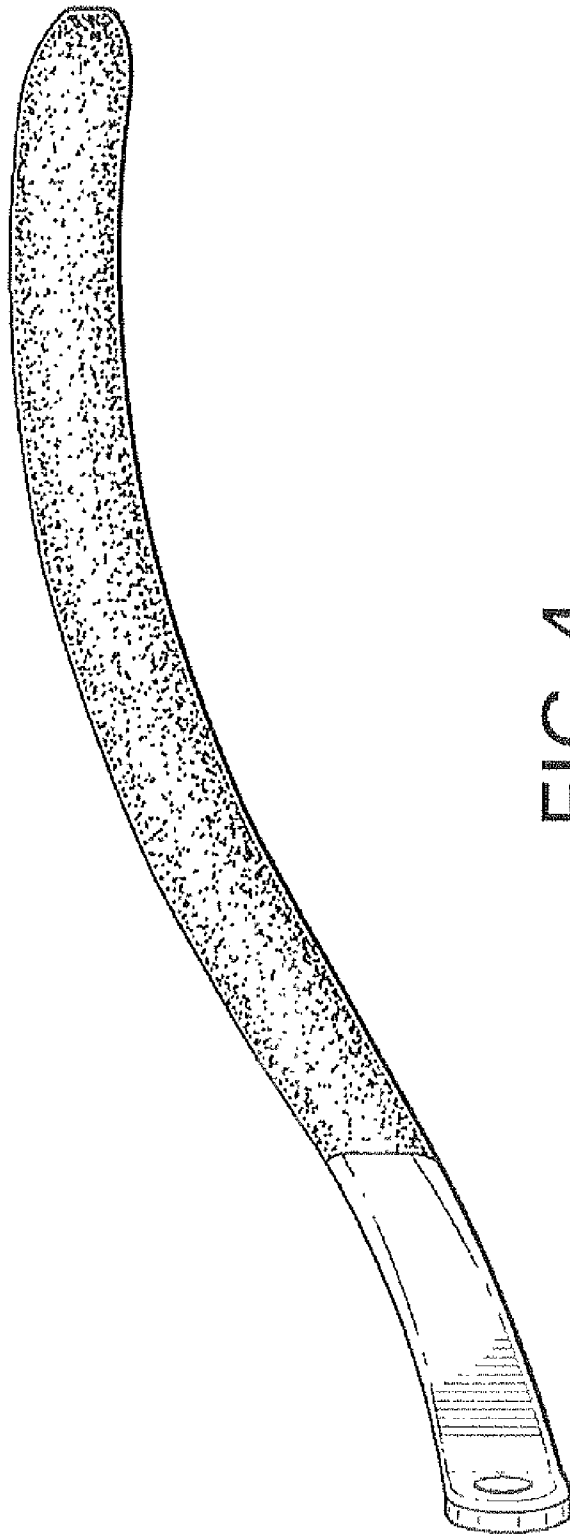


FIG. 4

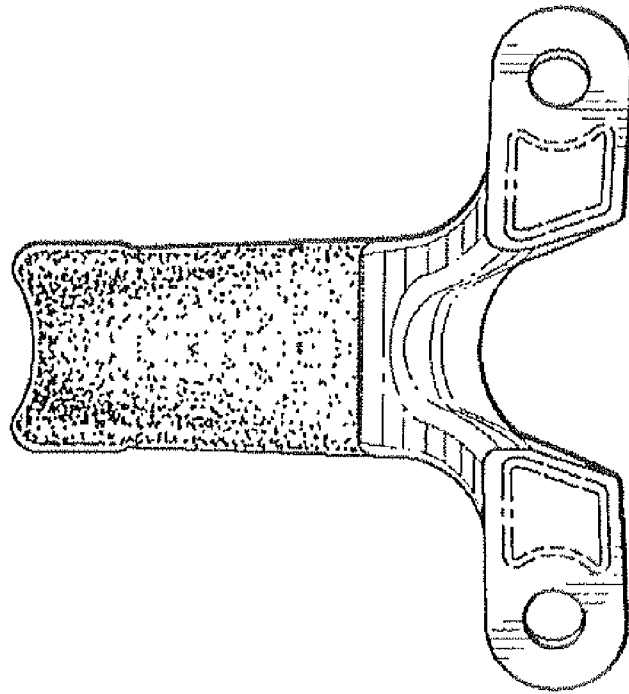


FIG. 5

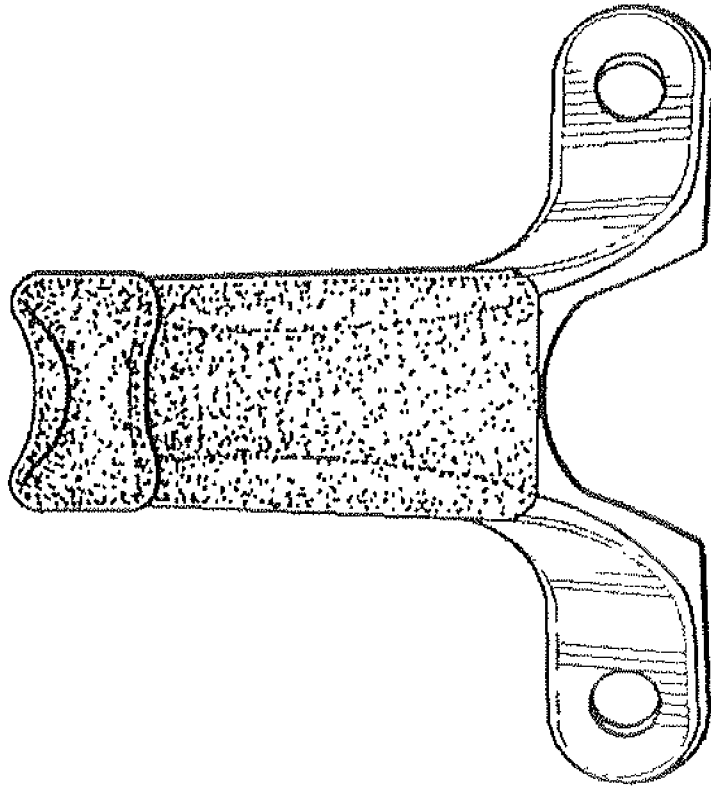


FIG. 6