



US00D568861S

(12) **United States Design Patent**
Kim et al.

(10) **Patent No.:** **US D568,861 S**

(45) **Date of Patent:** **** May 13, 2008**

(54) **MOBILE PHONE**

(75) Inventors: **Hak-Do Kim**, Seoul (KR);
Chang-Hwan Hwang, Goyang-si (KR);
Young-Ju Yeo, Seoul (KR)

(73) Assignee: **Samsung Electronics Co., Ltd.**,
Suwon-Si (KR)

(**) Term: **14 Years**

(21) Appl. No.: **29/287,451**

(22) Filed: **Aug. 9, 2007**

(30) **Foreign Application Priority Data**

May 30, 2007 (KR) 30-2007-0023434

(51) **LOC (8) Cl.** **14-03**

(52) **U.S. Cl.** **D14/138**

(58) **Field of Classification Search** D14/137,
D14/138, 147, 191, 218, 247-248, 341-347,
D14/496; D10/65, 78, 104; D13/168; D18/7;
455/90.3, 556.1, 556, 575.1, 575.3, 575.4
See application file for complete search history.

(56) **References Cited**

U.S. PATENT DOCUMENTS

D466,503 S *	12/2002	Masuda et al.	D14/346
D467,890 S *	12/2002	Lai et al.	D14/138
D503,699 S *	4/2005	Lee et al.	D14/138
6,897,849 B2 *	5/2005	Kim	345/160
D509,202 S *	9/2005	Lee et al.	D14/138
D511,342 S *	11/2005	Chien	D14/346
D519,998 S *	5/2006	Park	D14/346
D526,302 S *	8/2006	Kim	D14/138
D529,475 S *	10/2006	Lee et al.	D14/138
D531,609 S *	11/2006	Kim et al.	D14/138
7,151,950 B1 *	12/2006	Oyang et al.	455/556.1
D536,691 S *	2/2007	Park	D14/138
D537,810 S *	3/2007	Lee	D14/156
D547,294 S *	7/2007	Cho et al.	D14/138
D549,202 S *	8/2007	Kim et al.	D14/138
D550,189 S *	9/2007	Kim et al.	D14/138
D552,580 S *	10/2007	Mun	D14/138

D555,616 S *	11/2007	Lin	D14/138
D557,236 S *	12/2007	Hideki et al.	D14/138
D558,619 S *	1/2008	Bloem	D10/65
D558,713 S *	1/2008	Kim et al.	D14/138
D560,193 S *	1/2008	Sung et al.	D14/138
2006/0030381 A1 *	2/2006	Byun et al.	455/575.4
2006/0094464 A1 *	5/2006	Kyou et al.	455/556.1
2006/0111161 A1 *	5/2006	Cha et al.	455/575.4
2007/0232243 A1 *	10/2007	Chen	455/90.3

OTHER PUBLICATIONS

Eten glofiish M700, announced Nov. 2006, [online], [retrieved on Feb. 20, 2007]. Retrieved from Internet ,<URL: <http://www.gsmarena.com>>.*

Philips 960, announced Jul. 2005, [online], [retrieved on Feb. 20, 2007]. Retrieved from Internet ,<URL: <http://www.gsmarena.com>>.*

(Continued)

Primary Examiner—Jeffrey D. Asch
Assistant Examiner—Bridget L Eland
(74) *Attorney, Agent, or Firm*—Staas & Halsey LLP

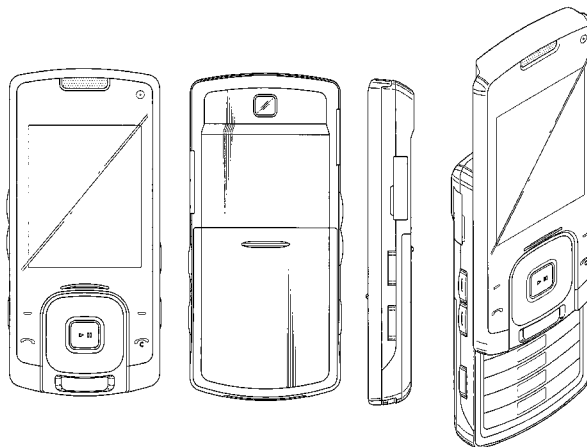
(57) **CLAIM**

The ornamental design for a mobile phone, as shown and described.

DESCRIPTION

FIG. 1 is a perspective view of a mobile phone;
FIG. 2 is a front view of the mobile phone of FIG. 1;
FIG. 3 is a rear view of the mobile phone of FIG. 1;
FIG. 4 is left-side of the mobile phone of FIG. 1;
FIG. 5 is right-side of the mobile phone of FIG. 1;
FIG. 6 is top plan view of the mobile phone of FIG. 1;
FIG. 7 is bottom plan view of the mobile phone of FIG. 1;
and,
FIG. 8 is an open perspective view of the mobile phone of FIG. 1.

1 Claim, 6 Drawing Sheets



OTHER PUBLICATIONS

NEC N940, announced 4th quarter 2004, [online], [retrieved on Feb. 20, 2007], Retrieved from Internet ,<URL: <http://www.gsmarena.com>>.*

NEC N500, announced 4th quarter 2004, [online], [retrieved on Feb. 20, 2007]. Retrieved from Internet ,<URL: <http://www.gsmarena.com>>.*

LG KG800, announced Mar. 2006, [online], [retrieved on Feb. 20, 2007]. Retrieved from Internet ,<URL: <http://www.gsmarena.com>>.*

Samsung F330, announced Aug. 2007, [online], [retrieved on Sep. 15, 2007]. Retrieved from Internet ,<URL: <http://www.gsmarena.com>>.*

* cited by examiner

FIG. 1

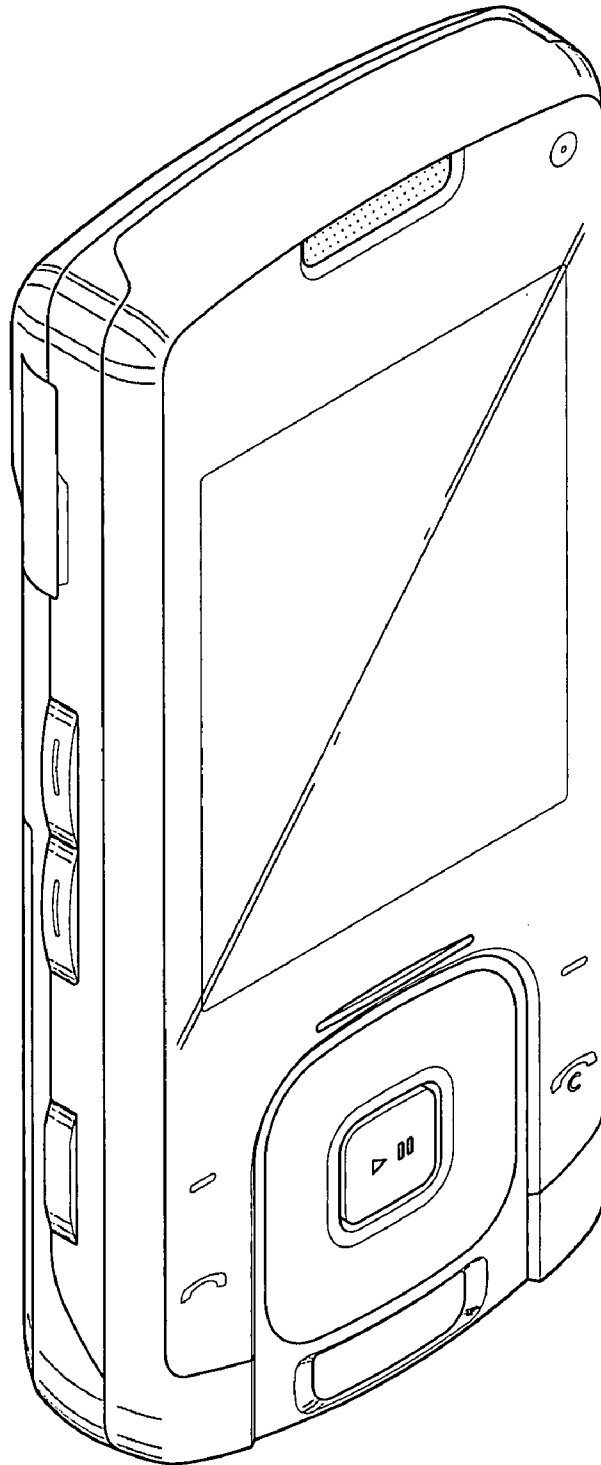


FIG.2

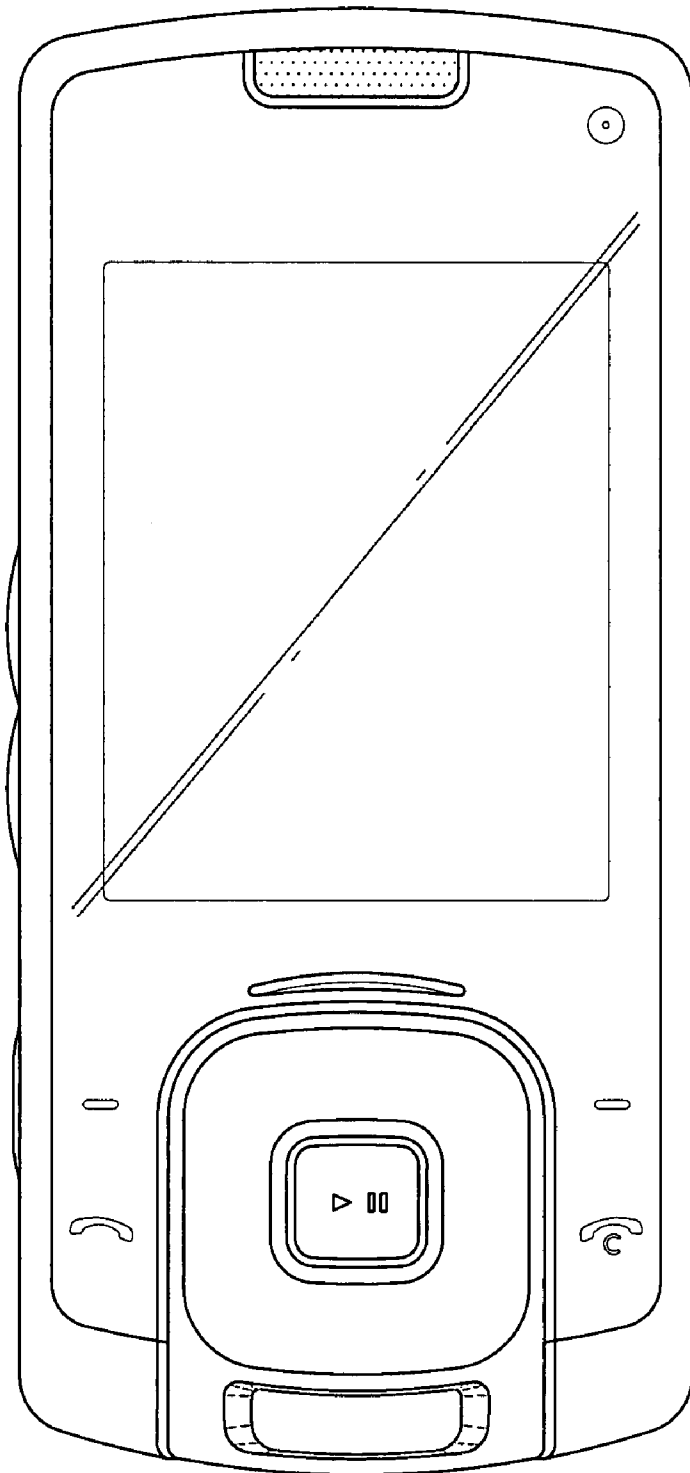


FIG.3

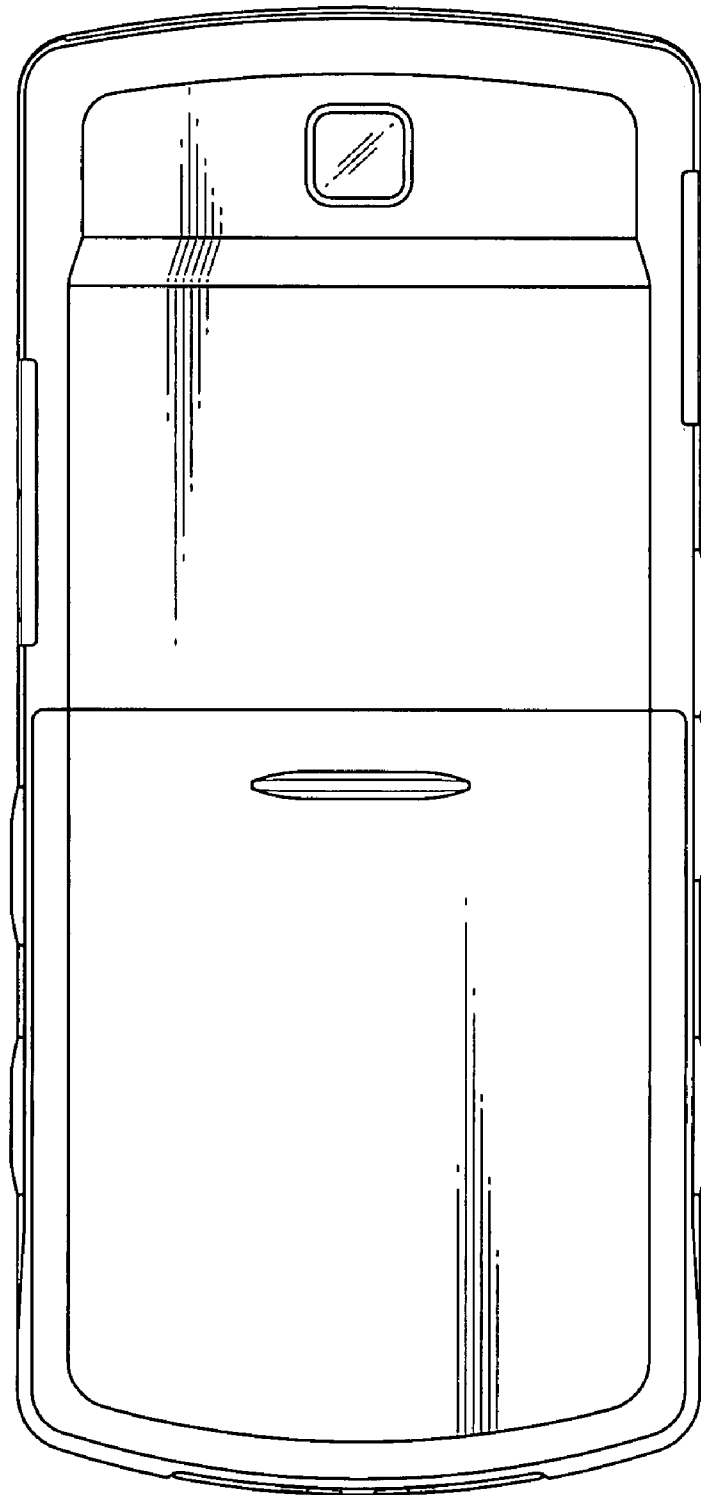


FIG.4

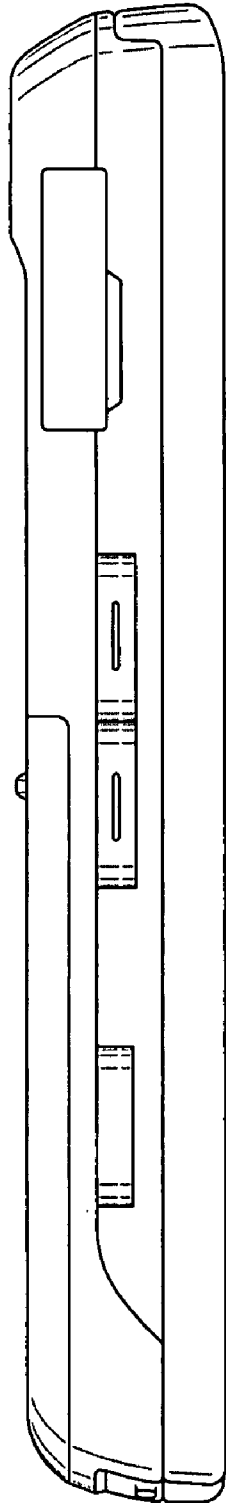


FIG.5

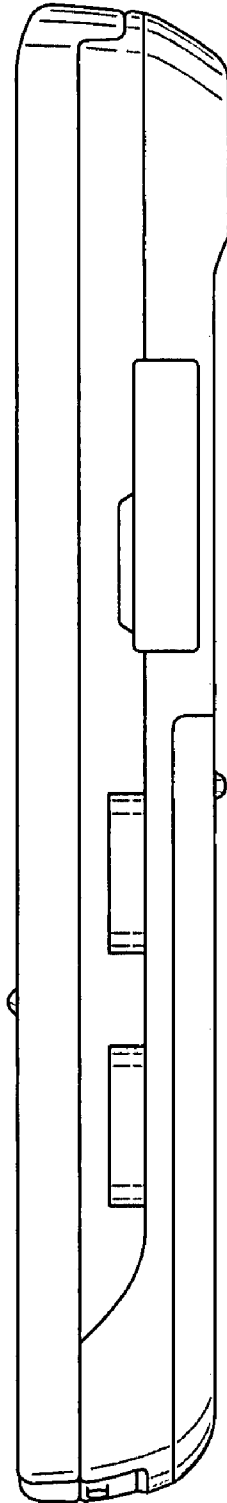


FIG.6

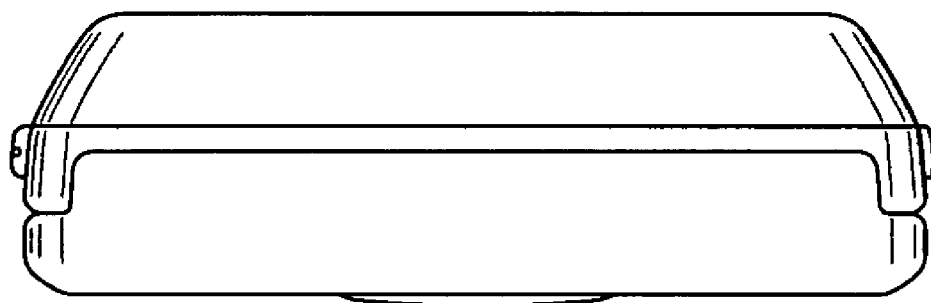


FIG.7

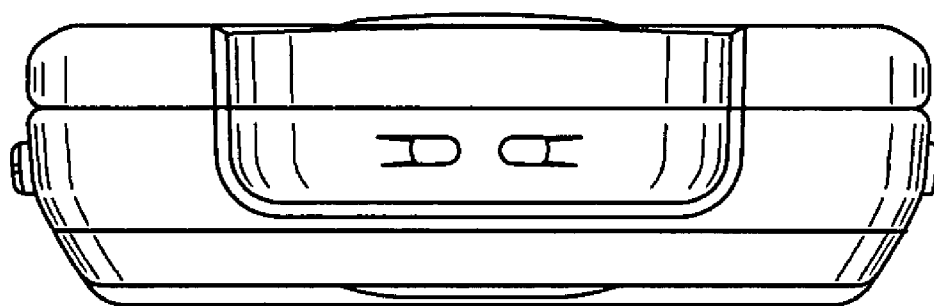


FIG.8

